



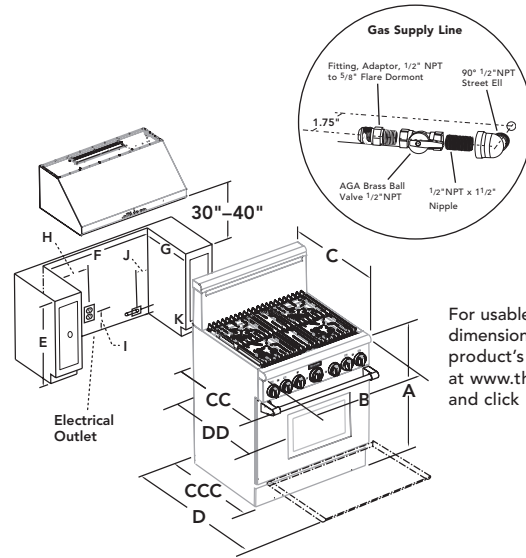
Pro-Harmony 36" Dual-Fuel Range with 4 Burners and Gas Grill

SKU	PRD364ELHU
Range Size	36" Range
Type	Dual-Fuel
22" High Back Shelf	DFP36HS
9" Back Guard	DFP36LB
6" Back Guard	N/A
3" Island Trim Piece	DFP36IT
Black Knob Accessory Kit	DFBLKNOB
12" Cover Griddle	PC12CVR
12" Chopblock	PC12CHPBLK
<b>GENERAL INFORMATION</b>	
120 Volts, 3 Prong Plug, 60 Hz, Single Phase A.C., 15 Amps	N/A
120/240 or 120/208 Volts, 4 Wire, 60 Hz, Single Phase	■ /40 Amps
Approximate Shipping Weight (lbs.)	370
Bake	2,000 W
Broil	4,000 W
Convection Element	2,750 W

**FEATURES & BENEFITS**

Patented, sealed, brass Star Burners distribute heat evenly, and 375 BTU/hr ExtraLow® setting simmers without scorching.

Easy temperature reference at a glance with an electronically controlled indicator.



For usable oven interior dimensions, please visit the product's information page at [www.thermador.com](http://www.thermador.com) and click "view features."

Model No.	BTU/hr†† Ovens kW.		Overall Dimensions							Cutout Dimensions*							Oven Cap.
	Max.	Max.	A**	B	C†	CC	CCC	D	DD	E	F	G	H	I	J	K	
PRD364ELHU	72,000	6.89	35 <sup>7</sup> / <sub>8</sub> to 36 <sup>3</sup> / <sub>4</sub>	36	26 <sup>1</sup> / <sub>2</sub>	27 <sup>5</sup> / <sub>8</sub>	23	44 <sup>7</sup> / <sub>8</sub>	24 <sup>3</sup> / <sub>4</sub>	35 <sup>7</sup> / <sub>8</sub> to 36 <sup>3</sup> / <sub>4</sub>	36 <sup>1</sup> / <sub>4</sub>	24	6	8	6	13 <sup>1</sup> / <sub>4</sub>	5 cu. ft.

**L.P. Converter orifices - PD ranges order (PLPKIT). Black Knob Kit (KNOBRGBLK) ordered separately. All-Gas Self-Cleaning PG ranges factory (NG) Natural Gas or factory (LP) Liquid Propane ordered separately.**

**Notes:** 1) All height, width and depth dimensions are shown in inches. 2) Oven doors should be removed for doorway clearance. \*Please refer to installation instructions prior to making cutout. Installation instructions and back guard information are available at [www.thermador.com](http://www.thermador.com). \*\*Height without back guard or high shelf. \*\*\*You must install your professional range with one of the back guards listed above. They are ordered separately — except for the 30" range, which comes standard with a 9" back guard. Approved for residential use only. †Measured to front of bullnose. ††BTU/hr includes surface burners and the oven.

