



Pro-Grand 48" (LP) Liquid Propane 4 Burner Range with Griddle and Grill

SKU	PRL484ECG
Range Size	48" Range
Type	(LP) Liquid Propane
22" High Back Shelf	HS48R
12" Low Back Guard	LB48R
9" Back Guard	N/A
3 ⁵ / ₈ " Trim Piece	IT48R
Black Knob Accessory Kit	KNOBRGBLK
GENERAL INFORMATION	
120 Volts, 3 Prong Plug, 60 Hz, Single Phase A.C., 20 Amps	■
Approximate Shipping Weight (lbs.)	630
ADDITIONAL ACCESSORIES	
12" Chop Block	PC12CHPBLK
12" Griddle Cover	PC12CVR
Blue Knob Accessory Kit	KNOBRGBLU

FEATURES & BENEFITS

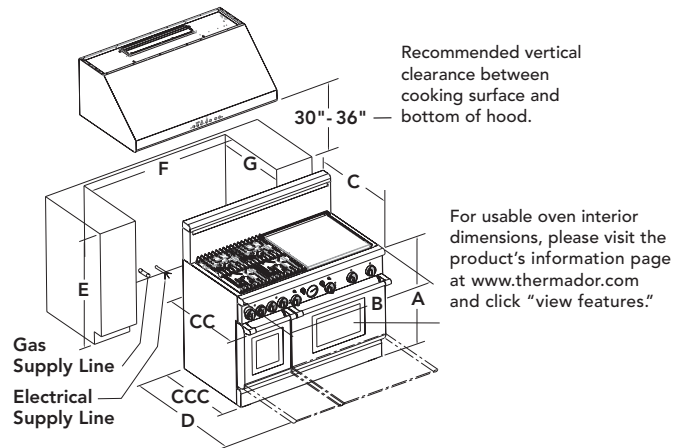
Patented, sealed, brass Star Burners distribute heat evenly, and 375 BTU/hr ExtraLow® setting simmers without scorching.

Easy temperature reference at a glance with an electronically controlled indicator.

Our available gas grill features a titanium surface that is easy to clean and dishwasher safe.

Our griddle, available on the 48" Pro Grand range, easily handles big batches of pancakes, French toast or fried eggs.

Our 48" ovens offer maximum capacity and can accommodate full-sized commercial sheet pans.



Model No.	BTU/hr ^{††} Max.	Ovens kW. Max.	Overall Dimensions							Cutout Dimensions*			Oven Cap. (cu. ft.)
			A**	B	C [†]	CC	CCC	D	E	F	G		
PRL484ECG	138,000	N/A	35 ⁷ / ₈ to 36 ³ / ₄	47 ⁷ / ₈	29 ¹ / ₂	32 ⁵ / ₈	27 ¹ / ₈	47 ³ / ₈	35 ⁷ / ₈ to 36 ³ / ₄	48	24 to 25 ¹ / ₂	5.1/2.5	

L.P. Converter orifices - PD ranges order (PLPKIT). Black Knob Kit (KNOBRGBLK) ordered separately. All-Gas Self-Cleaning PG ranges factory (NG) Natural Gas or factory (LP) Liquid Propane ordered separately.

Notes: 1) All height, width and depth dimensions are shown in inches. 2) Oven doors should be removed for doorway clearance. *Please refer to installation instructions prior to making cutout. Installation instructions and back guard information are available at www.thermador.com. **Height without back guard or high shelf. ***You must install your professional range with one of the back guards listed above. They are ordered separately — except for the 30" range, which comes standard with a 9" back guard. Approved for residential use only. †Measured to front of bullnose. ††BTU/hr includes surface burners and the oven.

