



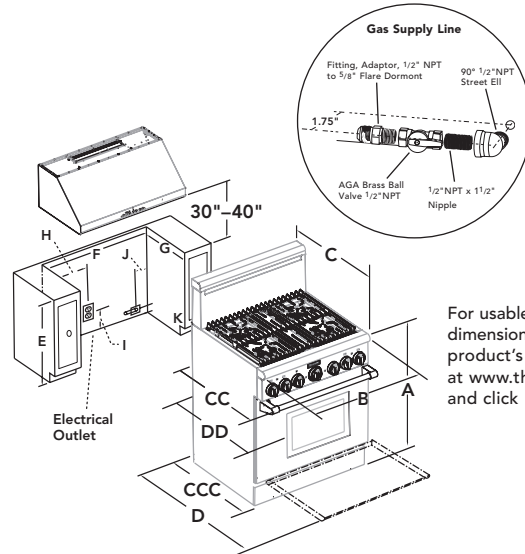
Pro-Harmony 30" Gas Range with 4 Burners

SKU	PRG304EH
Range Size	30" Range
Type	Gas
22" High Back Shelf	GP30HS
9" Back Guard	N/A
6" Back Guard	Included
3" Island Trim Piece	GP30IT
Black Knob Accessory Kit	GBLKNOB
GENERAL INFORMATION	
120 Volts, 3 Prong Plug, 60 Hz, Single Phase A.C., 15 Amps	■
120/240 or 120/208 Volts, 4 Wire, 60 Hz, Single Phase	N/A
Approximate Shipping Weight (lbs.)	310
Bake	23,500 BTU/hr
Broil	20,000 BTU/hr
Convection Element	N/A

FEATURES & BENEFITS

Patented, sealed, brass Star Burners distribute heat evenly, and 375 BTU/hr ExtraLow® setting simmers without scorching.

Easy temperature reference at a glance with an electronically controlled indicator.



For usable oven interior dimensions, please visit the product's information page at www.thermador.com and click "view features."

Model No.	BTU/hr ^{††}	Overall Dimensions								Cutout Dimensions*							Oven Cap.
		Max.	A**	B	C†	CC	CCC	D	DD	E	F	G	H	I	J	K	
PRG304EH	83,500	35 ⁷ / ₈ to 36 ³ / ₄	30	26 ¹ / ₂	27 ⁵ / ₈	23	44 ⁷ / ₈	24 ³ / ₄	35 ⁷ / ₈ to 36 ³ / ₄	30 ¹ / ₄	24	6	8	6	13 ³ / ₄	4.4 cu. ft.	

L.P. Converter orifices - PD ranges order (PLPKIT). Black Knob Kit (KNOBRGBLK) ordered separately. All-Gas Self-Cleaning PG ranges factory (NG) Natural Gas or factory (LP) Liquid Propane ordered separately.

Notes: 1) All height, width and depth dimensions are shown in inches. 2) Oven doors should be removed for doorway clearance. *Please refer to installation instructions prior to making cutout. Installation instructions and back guard information are available at www.thermador.com. **Height without back guard or high shelf. ***You must install your professional range with one of the back guards listed above. They are ordered separately — except for the 30" range, which comes standard with a 9" back guard. Approved for residential use only. †Measured to front of bullnose. ††BTU/hr includes surface burners and the oven.

