



Pro-Grand 48" Dual-Fuel Range 4 Burners with 24" Griddle

SKU	PRD484EEG
Range Size	48" Range
Type	Dual-Fuel
22" High Back Shelf	HS48R
12" Low Back Guard	LB48R
9" Back Guard	N/A
3 5/8" Trim Piece	ITDF48R
Black Knob Accessory Kit	KNOBRGBLK
GENERAL INFORMATION	
120/240 or 120/208 Volts, 4 Wire, 60 Hz, Single Phase	■ /50 Amp
Approximate Shipping Weight (lbs.)	630
ADDITIONAL ACCESSORIES	
24" Chop Block	PC24CHPBLK
Blue Knob Accessory Kit	KNOBRGBLU

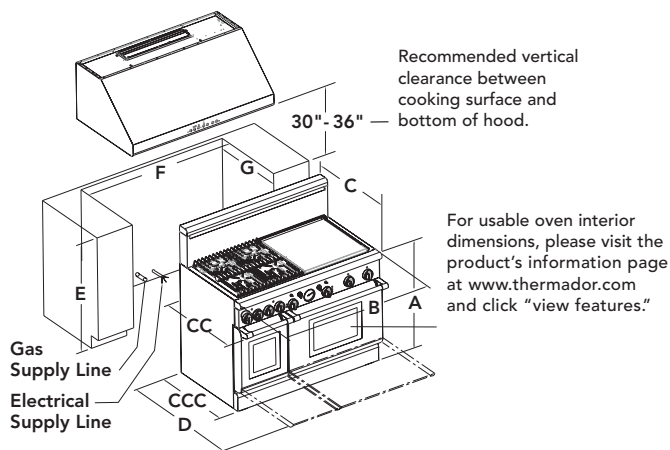
FEATURES & BENEFITS

Patented, sealed, brass Star Burners distribute heat evenly, and 375 BTU/hr ExtraLow® setting simmers without scorching.

Easy temperature reference at a glance with an electronically controlled indicator.

Our 24" electric griddle, available on the 48" Pro Grand range, easily handles big batches of pancakes, French toast or fried eggs.

Our 48" ovens offer maximum capacity and can accommodate full-sized commercial sheet pans.



Model No.	BTU/hr††	Ovens		Overall Dimensions						Cutout Dimensions*			Oven Cap. (cu. ft.)
		Max.	kW.	A**	B	C†	CC	CCC	D	E	F	G	
PRD484EEG	90,000	10.6	35 7/8 to 36 3/4	47 7/8	29 1/2	32 5/8	27 1/8	47 3/8	35 7/8 to 36 3/4	48	24 to 25 1/2	5.1/2.5	

L.P. Converter orifices - PD ranges order (PLPKIT). Black Knob Kit (KNOBRGBLK) ordered separately. All-Gas Self-Cleaning PG ranges factory (NG) Natural Gas or factory (LP) Liquid Propane ordered separately.

Notes: 1) All height, width and depth dimensions are shown in inches. 2) Oven doors should be removed for doorway clearance. *Please refer to installation instructions prior to making cutout. Installation instructions and back guard information are available at www.thermador.com. **Height without back guard or high shelf. ***You must install your professional range with one of the back guards listed above. They are ordered separately — except for the 30" range, which comes standard with a 9" back guard. Approved for residential use only. †Measured to front of bullnose. ††BTU/hr includes surface burners and the oven.

