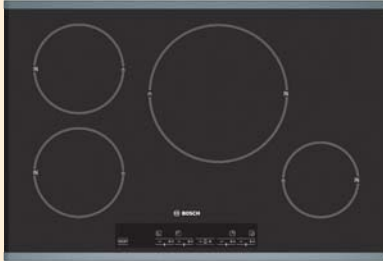


# NIT8053

## Induction Cooktop Spec Sheet



NIT8053

### Features & Benefits

- **MAXXBOOST™** Saves Time and Energy
- **CHILDLOCK™** Prevents the Cooktop from Being Accidentally Switched On
- Safe Start Differentials between Pots, Pans and Smaller Items Like Utensils and Only Heats up when a Pot or Pan is Detected
- Anti-overflow System Automatically Shuts off the Cooktop in the Event of a Spill and Sounds an Alarm

Product Name	Induction Cooktop
Model Number	NIT8053

Appearance	
Width	30"
Color Options	Black w/SS TrimTouch Control
Control Type	Touch

Heating Elements	
6" Single Element (1400 W / 1800 W*)	RF
7" Single Element (1800 W / 2500 W*)	LF, LR
8" Single Element (2200 W / 3300 W*)	LF
12" Single Element (2400 W / 3400 W*)	C

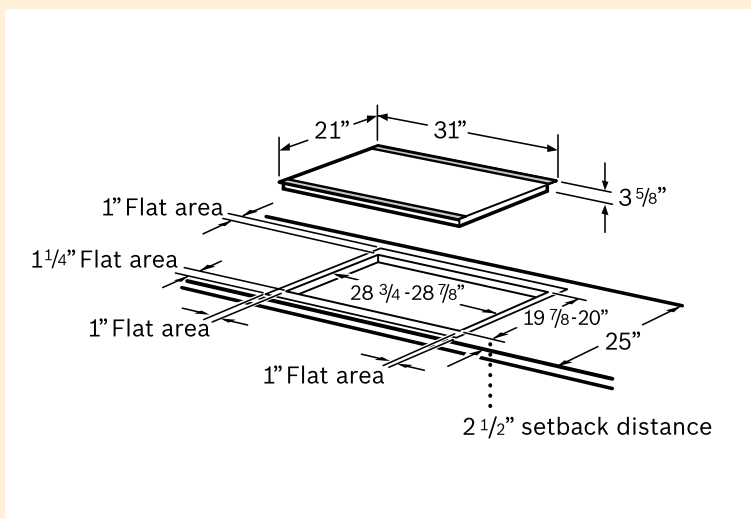
Features	
<b>MAXXBOOST™</b>	•
<b>COUNTDOWN</b> Timer	•
2-Level Heat Indicator	•
<b>PRECISIONSIM™</b>	•
Keep Warm Function	All Elements
<b>CHILDLOCK™</b>	•
Cookware Sensing	•
Safe Start	•
Automatic Shut-Off System	•

Technical	
Dual Rated 208/240V, 3-Wire 60 Hz	•
Amps	30A

SS - Stainless Steel

\*Refers to wattage with **MAXXBOOST™**

### Dimensions:



Induction Cooktops are UL approved. Notes: All height, width and depth dimensions are shown in inches. Please refer to installation instructions prior to making cutout. BSH reserves the absolute and unrestricted right to change product materials and specifications, at any time, without notice. Consult the product's installation instructions for final dimensional data and other details. Applicable product warranty can be found in accompanying product literature or you may contact your account manager for further details.

**For more information on our entire line of products, go to [boschappliances.com](http://boschappliances.com) or call 1-800-944-2904.**

Copyright ©2007 BSH Home Appliances Corporation. All rights reserved. Bosch is a registered trademark of Robert Bosch GmbH.