

# 800 Series Ovens HBL8450UC

## Oven Spec Sheet



800 Series HBL8450UC Single Oven

### Features & Benefits

- 4.7 cu.ft. oven cavity - largest in the industry
- Genuine European Convection and New Speed Convection
- Complete Touch Control on glass
- Safe and efficient two hour self-clean cycle
- Concealed Bake Element and Recessed Broil Element
- Featuring a gliding full-extension telescopic rack

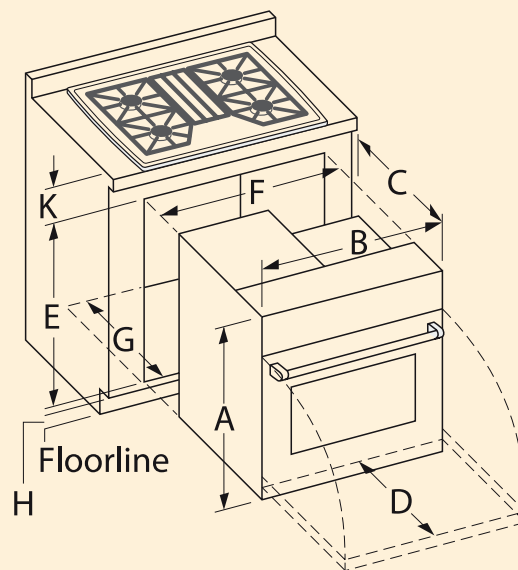
Size	Single Oven
Width	30"
Color Options	
Stainless steel	<b>HBL8450UC</b>


Main Oven Features	
Oven Cavity Size	4.7 cu.ft.*
Oven Control	Glass Touch Control
Display	Amber Full Text
Heating Modes	16
European Convection	•
Speed Convection	•
Convection Bake, Broil, Roast	•
Bake, Broil, Roast	•
Fast Preheat	•
Meat Probe	•
Sabbath Mode	•
Self-Clean Mode	2-hour cycle
Panel Lock	•
Telescopic Racks	1
Standard Racks	2
Porcelain Broiler Pan	•
Cavity Lighting	3 halogen lights
Concealed Bake Element	•
Recessed Broil Element	•
Dual-Rated, 120/208-240V, 4 Wire, 60 Hz	•
Amps	30

30" single oven	Overall Dimensions
A	29 1/16"
B	29 3/4"
C	23 7/8"
D	22"
Door Handle Projection	3"

	Cutout Dimensions
E	28 1/4"
F	28 1/2"
G	24"
H	4 3/4" min.
K	3"



 Oven is UL approved. Notes: All height, width and depth dimensions are shown in inches. Please refer to installation instructions prior to making cutout. BSH reserves the absolute and unrestricted right to change product materials and specifications, at any time, without notice. Consult the product's installation instructions for final dimensional data and other details. Applicable product warranty can be found in accompanying product literature or you may contact your account manager for further details. \*According to AHAM standards.

For more information on our entire line of products, go to [boschappliances.com](http://boschappliances.com) or call 1.800.944.2904.

Copyright ©2007 BSH Home Appliances Corporation. All rights reserved. Bosch is a registered trademark of Robert Bosch GmbH.

63-811-0606e

Litho Date: 12/06