



Installation Instructions

Guide d'installation

Manual de instalación

Slide-in Electric Ranges with European Convection

fr Cuisinières électriques à encastrer
es Estufas eléctricas empotrables



BOSCH

Invented for life



Table of Contents

Safety	1
Installation	2
Before You Begin	2
Installation Procedure	7
Service	15
Before Calling Service	15

Questions?

1-800-944-2904

www.boschappliances.com

5551 McFadden Ave.
Huntington Beach, CA 92649

We look forward to hearing from you!

Safety



IMPORTANT SAFETY INSTRUCTIONS

READ AND SAVE THESE INSTRUCTIONS

Important Safety Instructions

- **Warning:** If the information in this manual is not followed exactly, fire or shock may result causing property damage or personal injury.
- **WARNING:** Do not repair or replace any part of the appliance unless specifically recommended in the manuals. Improper installation, service or maintenance can cause injury or property damage. Refer to this manual for guidance. All other servicing should be done by a qualified technician.

Appliance Handling Safety

- Do not lift appliance by door handle. Remove the door for easier handling and installation. See instructions in Use and Care Manual.
- Unit is heavy and requires at least two people or proper equipment to move.
- Hidden surfaces may have sharp edges. Use caution when reaching behind or under appliance.

Safety Codes and Standards

- This appliance complies with one or more of the following Standards:
 - UL 858, The Standard for the Safety of Household Electric Ranges
 - UL 923, The Standard for the Safety of Microwave Cooking Appliances
 - UL 507, The Standard for the Safety of Electric Fans
 - ANSI Z21.1-2000, The American National Standard for Household Cooking Gas Appliances
 - CAN/CSA-C22.2 No. 113-M1984 Fans and Ventilators
 - CAN/CSA-C22.2 No. 61-M89 Household Cooking RangesIt is the responsibility of the owner and the installer to determine if additional requirements and/or standards apply to specific installations.

Electric Safety

- Before you plug in an electrical cord, be sure all controls are in the OFF position.
- For appliances equipped with a cord and plug, do not cut or remove the ground prong. It must be plugged into a matching grounding type receptacle to avoid electrical shock. If there is any doubt as to whether the wall receptacle is properly grounded, the customer should have it checked by a qualified electrician.
- If required by the National Electrical Code (or Canadian Electrical Code), this appliance must be installed on a separate branch circuit.
- Only a power-supply cord kit rated for this appliance and marked "for use with ranges" shall be used.
- Installer - show the owner the location of the circuit breaker or fuse. Mark it for easy reference.
- Important - Save these instructions for the local electrical inspector's use.
- Before installing, turn power OFF at the service panel. Lock service panel to prevent power from being turned ON accidentally.
- Be sure your appliance is properly installed and grounded by a qualified technician. Installation, electrical connections and grounding must comply with all applicable codes.

Related Equipment Safety

- **Warning:** All ranges can tip. Injury to persons could result. Install anti-tip device packaged with range. Verify that the anti-tip devices are engaged. See installation instructions.

- Remove all tape and packaging before using the appliance. Destroy the packaging after unpacking the appliance. Never allow children to play with packaging material.
- Never modify or alter the construction of the appliance. For example, do not remove leveling legs, panels, wire covers or anti-tip brackets/screws.
- To eliminate the risk of burns or fire by reaching over heated surface units, cabinet storage space located above the surface units should be avoided. If cabinet storage is to be provided, the risk can be reduced by installing a hood that projects horizontally a minimum of 5 inches beyond the bottom of the cabinet.
- Verify that cabinets above the cooktop are a maximum of 13" (330 mm) deep.

Installation

Before You Begin

Tools and Parts Needed

- 40 or 50 Amp Power Supply Cord Kit (depending on local code)
Note: Not necessary for Canadian installations
- Measuring Tape
- Phillips Head Screwdriver
- 1-1/4" (31.8 mm) Wrench
- Pencil
- T-20 Torx Screwdriver
- Screws (2) and Anchors (2) for Anti-Tip Bracket (Style will vary depending on mounting surface)
- Level
- Drill and Drill Bit
- Soapy Water
- Safety Gloves and Goggles
- Tape (Optional)
- Cloth or Cardboard (Optional - to Protect Floor)

Additional Parts Needed For Hard Wire Installations

- Flexible Conduit
- Torque Wrench
- **Note:** Power Supply Cord Kit Not Necessary For Hard Wire Installations

Parts Included

- Anti-Tip Bracket
- Foam Tape
- Terminal Lugs (For Use With Hard Wire Installations) (not necessary for Canadian installations)

General Information

Overall Dimensions

Table 1: Overall Dimensions

Dimension	Inches	centimeters
Height	36	91.44 cm
Width	29 5/16"	74.55 cm
Depth	25 5/8"	65.09 cm

Level

For best results, cabinets, countertops walls and floors in the installation location should be as level and plumb as possible. Variance may cause damage to countertops and floors during installation, could jeopardize the seal around the cooktop and may adversely affect cooking and baking performance.

Tips

Tape warming drawer shut to keep it from opening while installing the range.

During installation, place a portion of the box or a piece of cloth under the range to protect floors.

To make range lighter and easier to handle remove door (see instructions in Use and Care manual).

Preparation

Electrical Requirements

Refer to data plate for more information. See "Product Data Plate" on page 17 for data plate location.

We recommend that the range be installed with a power cord set (not supplied).¹ The electrical rating of the power cord set must be 120/240 volt, 40 or 50 amperes minimum (depending on local code). The power cord set shall be marked "For Use with Ranges." Always use a new power cord.

Note: In Canada, the range is shipped from the factory with the range cord already installed.

Ranges are dual rated for use on either 120/240 VAC or 120/208 VAC. Check the data plate for the kW rating. Reference the kW rating in the table below to determine amperage requirements.

Table 2: Electrical Specifications

kW Rating		Hz	Amps Req'd
120/240V	120/208V		
13	9.8	60	40 or 50 ^a
13.8	10.4	60	40 or 50 ^a

a. Varies by location. Check local codes.

1. Not needed for Canadian installations

The electrical outlet must be located in the shaded space in Figure 3.

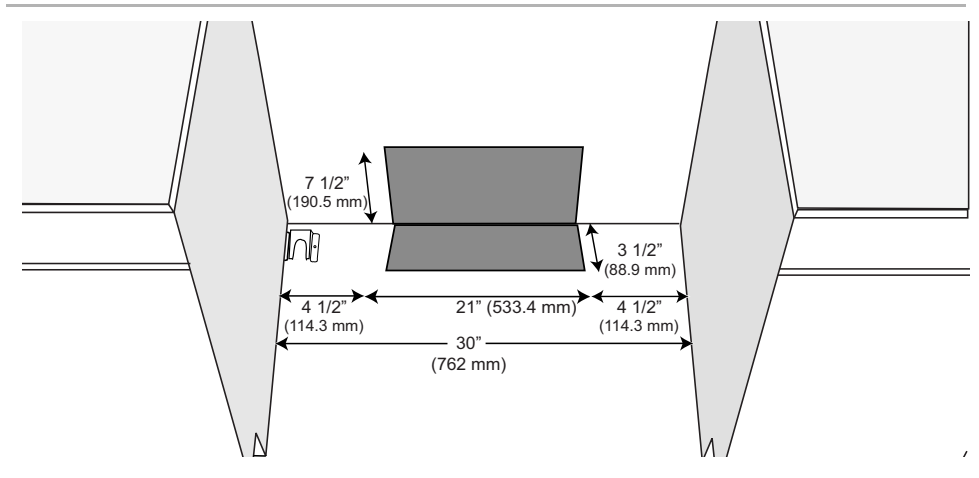


Figure 1: Cooktop Clearances

Verify that wiring to house is adequate

Contact your local utility company to verify that the present electric service to your home is adequate. In some instances, the size of the wiring to the house and service switch must be increased to handle the electrical load demanded by the range.

Verify that wiring inside house is adequate

Most wiring codes require a separate circuit with separate disconnect switch and fuses either in the main entrance panel or in a separate switch and fuse box.

The range requires a minimum of a three wire 120/240 or 120/208 volt, 40 or 50 AMP, 60 Hz AC circuit. Check local codes for proper amperage ratings. A four wire connection is preferred.

Most local building regulations and codes require that electrical wiring be done by licensed electricians. Be sure to install your range according to the electric codes in place in your region.

Cabinet Requirements

This unit is designed for installation near adjacent walls and projecting surfaces constructed of combustible materials.

Allow a minimum of 30 inches between cabinets where range is to be installed¹. See Figure 2: Cutout Requirements for more information..

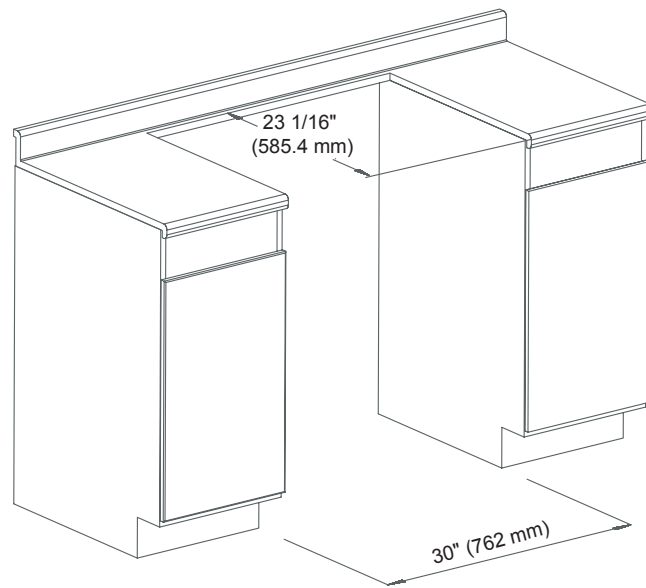


Figure 2: Cutout Requirements

Note: The slide-in range can also replace a freestanding range. In this case, verify that the opening is at least 30 inches.¹

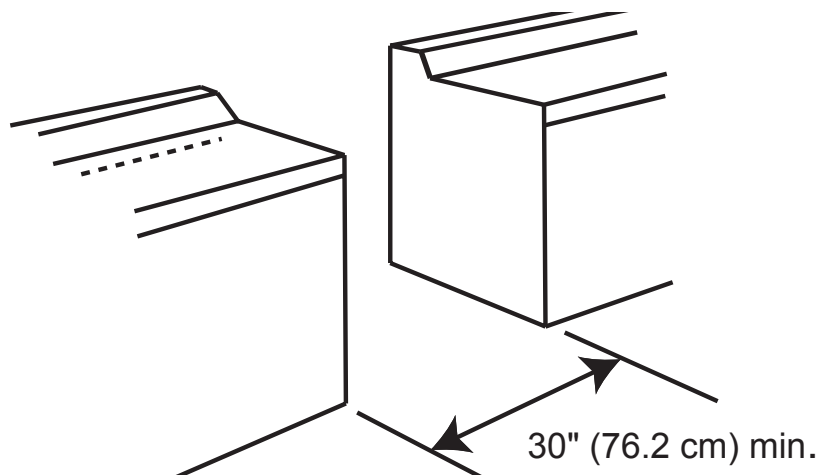


Figure 3: Cutout Requirements - Replacing a Free-Standing Model

¹.In Canada, a clearance of 12 mm from range sidewall to cabinet is required.

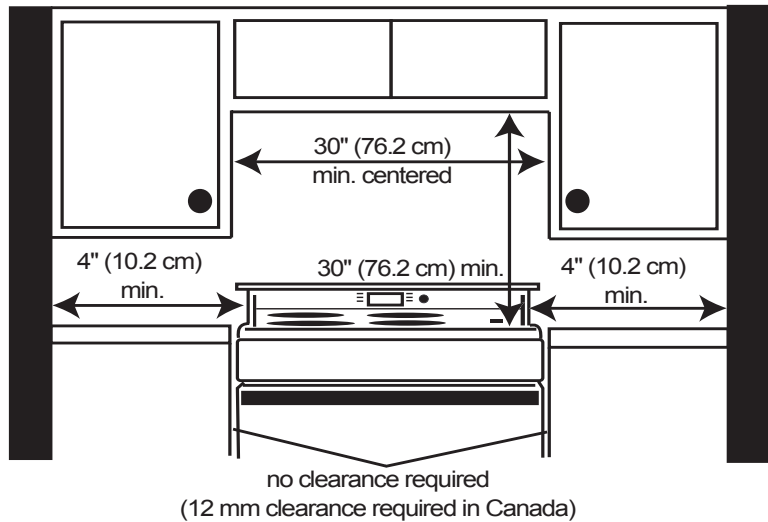


Figure 4: Cabinet Preparation

Required Clearance¹

From cooktop to materials above: There must be a minimum clearance of 30 inches between the top of the cooking surface and the bottom of an unprotected wood or metal cabinet. See Figure 4: Cabinet Preparation.

24 inches is acceptable when the bottom of the wood or metal cabinet is protected by (a) not less than 1/4" of flame retardant material which must be covered with (b) not less than No. 28 MSG sheet metal, 0.015 inch stainless steel¹ or 0.024 inch aluminum or copper.

From range walls to adjacent materials: See Figure 4: Cabinet Preparation. No clearance is required from unit walls to adjacent vertical combustible walls on rear, right or left.²

Clearance from range top to adjacent vertical walls must be at least 4".

Note: Some cabinet finishes cannot survive the temperatures allowed by U.L., particularly self-cleaning ovens; the cabinets may discolor or stain. This is most noticeable with laminated cabinets.

Prepare Walls and Floor

Seal any holes in the walls or floor. Remove any obstructions (extra electrical or gas connections, etc.) so that range will rest against wall properly.

Countertop Requirements

Countertops must be smooth and level.

Mounting Requirements

Install Anti-Tip Bracket

1. Instructions were determined using standard American cabinets. Standard base cabinets measure 36" high x 24" deep. Cabinets over the cooking surface and cabinets adjacent to those over the cooking surface measure 13 inches deep from backwall. If nonstandard cabinets are used, care should be taken to alter dimensions accordingly.

2. In Canada, a clearance of 12 mm from range sidewall to cabinet is required.

1. Adjust height of range and level by rotating the adjustable leg supports on the bottom of the range, using 1-1/4" wrench.
2. Measure to locate bracket position as shown in See Figure 5: Anti-Tip Bracket.
3. Secure bracket with 2 screws adequate for mounting surface (i.e., for wood floor use wood screws, for concrete floor use concrete anchors and screws).

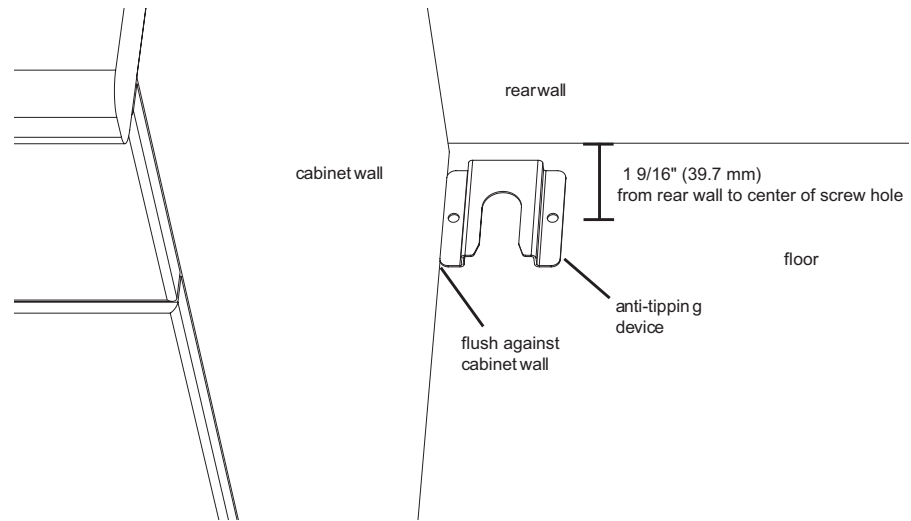


Figure 5: Anti-Tip Bracket

Ventilation Recommendations

We strongly recommend the installation of a ventilation hood above this appliance. For most kitchens a certified hood rating of not less than 300 CFM is recommended. The range hood must be installed according to instructions furnished with the hood.

Installation Procedure

Apply Foam Tape

Apply foam tape to underside of cooktop trim in one continuous piece.

Note: DO NOT use caulk or glue/adhesive of any kind.

Install Backwall Trim

Note: This step is only required if the countertop does not connect behind the range (i.e.; when replacing a free-standing range). See "Cabinet Requirements" on page 6 for more information

Install 2 screws through holes in trim and in range backwall. See Figure 6: Backwall Trim Strip and Figure 7: Install Backwall Trim Strip

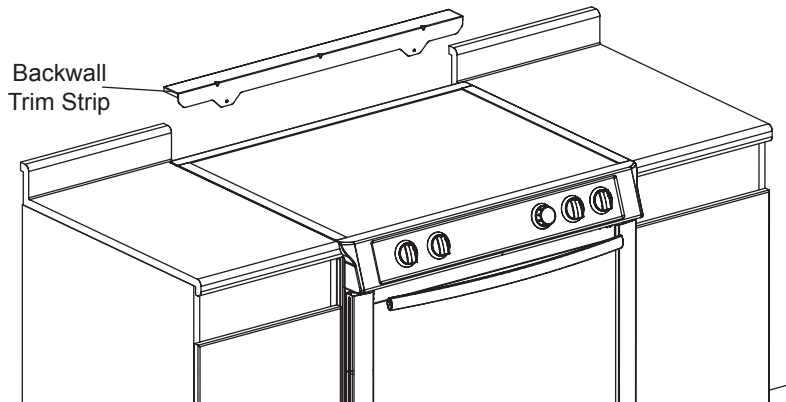


Figure 6: Backwall Trim Strip

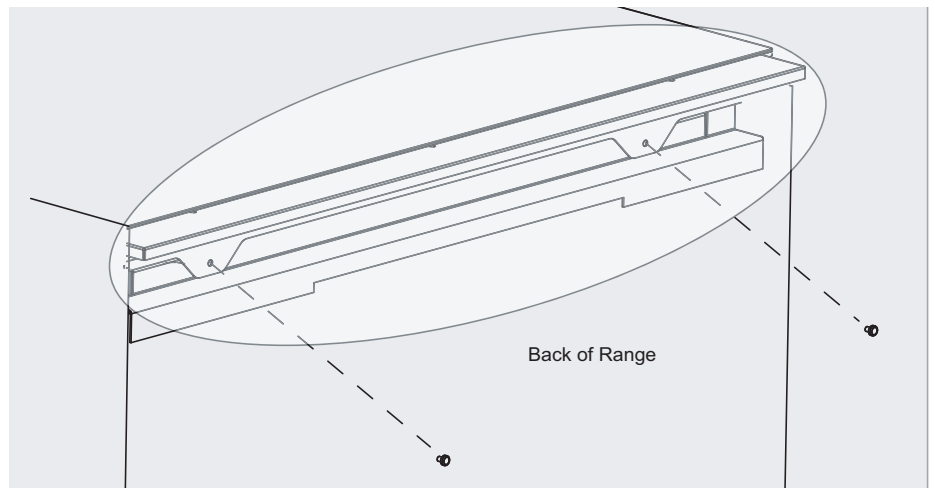


Figure 7: Install Backwall Trim Strip

Connect Electric - Range Cord

Note: In Canada, the range is shipped from the factory with the range cord already installed. Continue to “Complete the installation” on page 15.

For installations other than those in Canada, connect the range cord at the terminal block (See next page for detailed instructions). Access the terminal block by removing the cover in the lower right hand corner of the range back panel.

Install Strain Relief



Warning: The strain relief provided with your range cord must be properly installed.

Place strain relief in knockout below terminal block. See Figure 8: Strain Relief Knockout. Feed range cord through hole and strain relief up to terminal block. Allow for slack in the cord between the strain relief and terminal block. Once cord

length/ slack has been adjusted, attach strain relief per instructions included with strain relief.

Tip: The knockout panel below the terminal block can be removed from the range to install the strain relief: Remove knockout panel from range, install strain relief in panel and reattach. DO NOT remove entire range back panel.

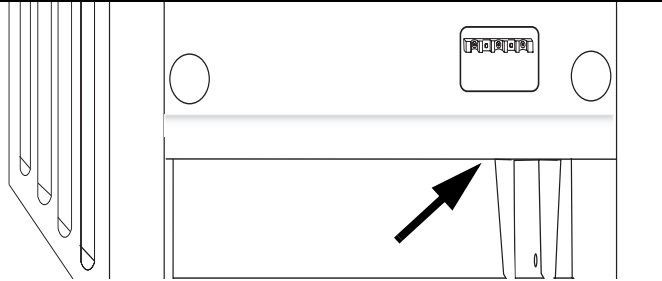


Figure 8: Strain Relief Knockout



Warning: Risk of Electric Shock or Fire. Frame grounded to neutral through a ground strap. Grounding through the neutral conductor is prohibited for new branch-circuit installations (1996 NEC), mobile homes, and recreational vehicles, or in an area where local codes prohibit grounding through the neutral conductor.

For installations where grounding through the neutral conductor is prohibited, (a) disconnect the link from the neutral, (b) use grounding terminal or lead to ground unit, (c) connect neutral terminal to lead branch circuit neutral in usual manner (when the appliance is to be connected by means of a cord kit, use 4-conductor cord for this purpose).

Use only cord kits rated 125/250 volts (minimum), 40 or 50 amperes (depending on local code) and labeled "For Use with Ranges". Strain relief provided with cord must be installed per instructions

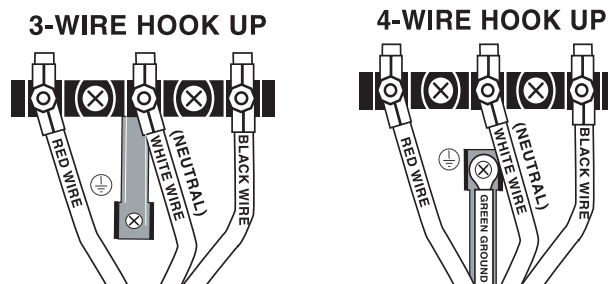


Figure 9: Grounding Requirements



Warning: To prevent electrical shock, the grounding prong on the range cord should not be cut or removed under any circumstances. It must be plugged into a matching grounding type receptacle and connected to a correctly polarized 240- Volt circuit. If there is any doubt as to whether the wall receptacle is properly grounded, have it checked by a qualified electrician.

**Four Wire Range Cord Connection
(Recommended Method)**

1. Disconnect electrical power at breaker box.
2. Remove the terminal block cover to expose the terminal block

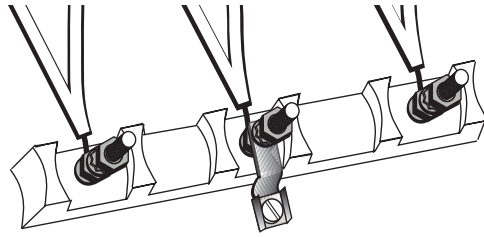


Figure 10: 4 Wire Connection

3. Remove top nut, star washer, and round washer from each post.

Note: DO NOT remove last round washer, last nut or internal wiring leads.

4. Remove screw from bottom end of ground strap.
5. Remove ground strap from center post, rotate so that wide end is at top and attach wide end to range through hole below junction box. Attach green wire on top of ground strap. Tighten Screw.

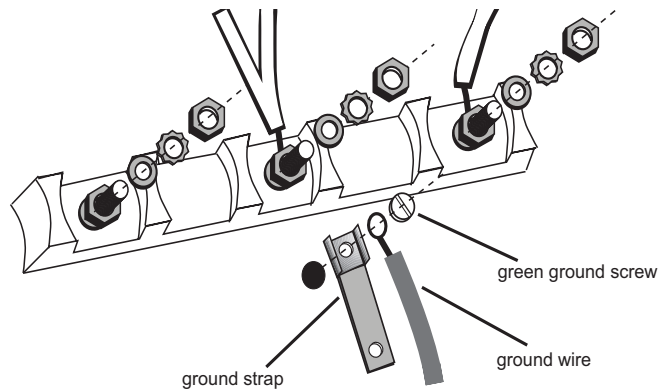


Figure 11: Four Wire Range cord Connection - Ground Strap and Wire

6. Attach red wire, round washer, star washer and nut IN THIS ORDER to left post.
7. Attach white wire, round washer, star washer and nut IN THIS ORDER to center post.

8. Attach black wire, round washer, star washer and nut IN THIS ORDER to right post.

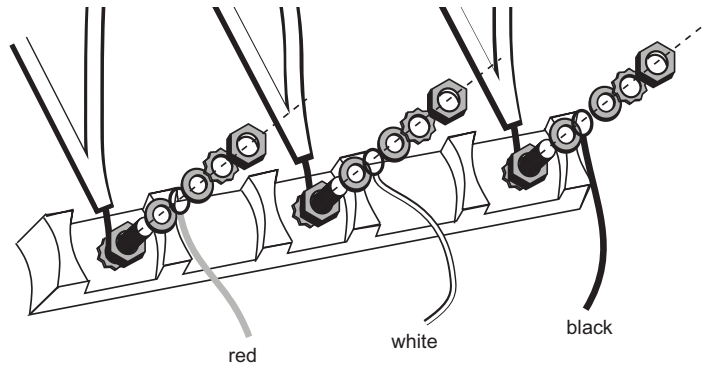


Figure 12: Four Wire Range Cord Connection (continued)

9. Tighten all connections securely and replace terminal block cover.
10. Properly secure strain relief (see previous section).

Note: DO NOT plug in range at this time.

Three Wire Range Cord Connection

The Four Wire Connection (above) is preferred, but where local codes and ordinances permit grounding through neutral and where conversion to four wire is impractical, the unit may be connected to the power supply via a three wire connection.

1. Disconnect electrical power at breaker box.
2. Remove the terminal block cover to expose the terminal block.

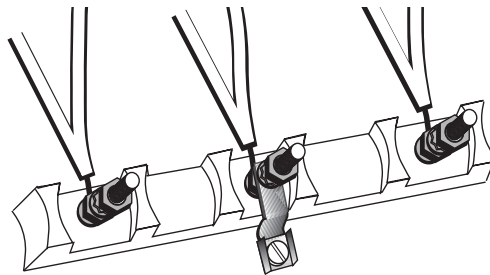


Figure 13: Terminal Block

3. Remove top nut, star washer, and round washer from each post.

Note: DO NOT remove last round washer, last nut or internal wiring leads.

4. Attach white wire, round washer, star washer and nut IN THIS ORDER on top of ground strap on center post.
5. Attach red wire, round washer, star washer and nut IN THIS ORDER to left post.

6. Attach black wire, round washer, star washer and nut IN THIS ORDER to right post.

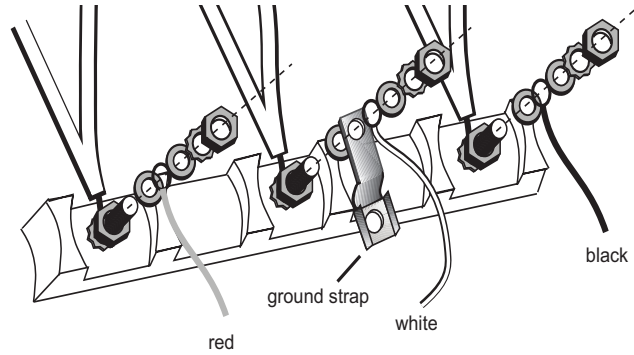


Figure 14: Three Wire Connection

7. Tighten all connections securely and replace terminal block cover.

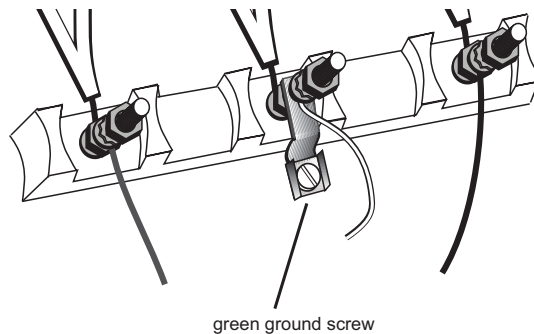


Figure 15: Completed Three Wire Range Cord Connection

8. Properly secure strain relief. See “Install Strain Relief” on page 8 for detailed instructions.

Connect Electric - Flexible Conduit Connection

The range can also be connected via flexible conduit. If using this method, always use the lugs supplied.

Note: In Canada, the range is shipped from the factory with the range cord already installed. Continue to “Complete the installation” on page 15.

Four Wire Flexible Conduit Connection

1. Disconnect electrical power at the breaker box.
2. Remove the terminal block cover to expose the terminal block.
3. Remove the top nut, star washer, and round washer from each post.

Note: DO NOT remove last round washer, last nut or internal wire leads.

4. Remove screw from bottom end of ground strap.
5. Remove ground strap from center post. Discard.
6. Attach one terminal lug (packaged with this manual) through hole below terminal block with ground screw.
7. Place one terminal lug (packaged with this manual) on each post. Replace the star washer and round washer and secure with 20 inch pounds of torque.

- Strip 3/8 (9.53 mm) inches of insulation from the end of the wire.

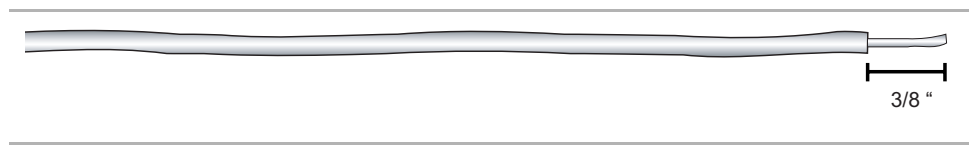


Figure 16: Wire Stripping

- Insert the insulated grounding wire into the lug below the terminal block.
- Insert stripped end of white wire into the center lug. Secure the clamping screw.

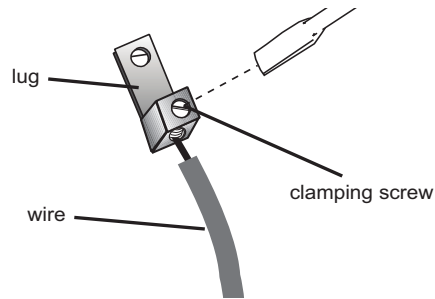


Figure 17: Attaching Wire to Lug

- Insert stripped end of red wire into the left lug. Secure clamping screw.
- Insert black wire into the right lug. Secure clamping screw. Tighten each clamping screw with the appropriate torque (see table).

Table 3: Appropriate Torque Levels for Aluminum or Copper Wire

Gauge	Torque (in./lbs.)	Torque (Nm)
6	35	3.95
8	25	2.82

- Properly secure flexible conduit at knockout on angle and at supply side junction box. The wiring is now complete.

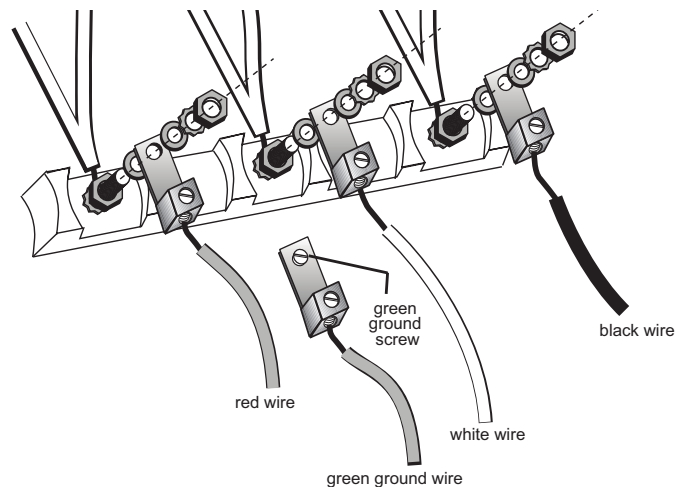


Figure 18: Completed Four Wire Flexible Conduit Connection

Note: DO NOT plug in range at this time.

Three Wire Flexible Conduit Connection

The Four Wire Connection is preferred, but where local codes and ordinances permit grounding through neutral and/or conversion to four wire is impractical, unit may be connected to the power supply via a three wire connection.

1. Disconnect electrical power at the breaker box.
2. Remove the terminal block cover to expose the terminal block.

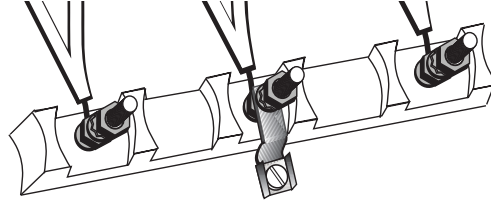


Figure 19: Terminal Block

3. Remove the top nut, star washer, and round washer from each post.

Note: DO NOT remove last round washer, last nut or internal wire leads.

4. Place one terminal lug (packaged with this manual) on each post. Replace the star washer and round washer and secure with 20 inch pounds of torque.
5. Strip 3/8 (9.53 mm) inches of insulation from the end of each wire.



Figure 20: Wire Stripping

6. Insert stripped end of white wire into the center lug on top of the ground strap. Secure the clamping screw.

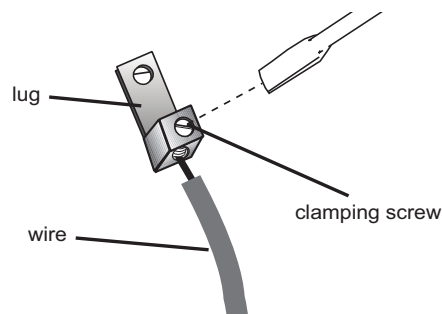


Figure 21: Attaching Wire to Lug

7. Insert stripped end of red wire into the left lug. Secure clamping screw.
8. Insert stripped end of black wire into the right lug. Secure clamping screw.

9. Tighten each clamping screw with the appropriate torque (See table below).

Table 4: Appropriate Torque Levels for Aluminum or Copper Wire

Gauge	Torque (in./lbs.)	Torque (Nm)
6	35	3.95
8	25	2.82

10. Properly secure flexible conduit at knockout panel on range and at supply side junction box. The wiring is now complete.

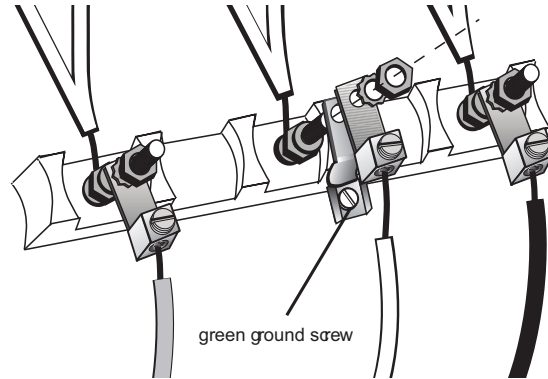


Figure 22: Completed Three Wire Flexible Conduit Connection

Note: DO NOT plug in range at this time.

Complete the installation

Adjust Levelling Legs

1. Line up range in front of opening.
2. Measure back left corner of opening from floor to top of countertop.
3. Measure back left corner of range to bottom of cooktop trim. Use a wrench to adjust leveling leg until this height is the same as the corner dimension.

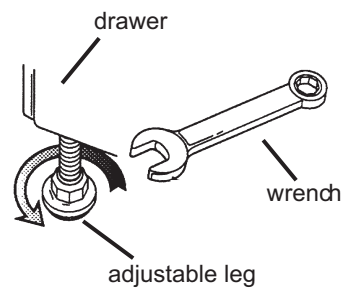


Figure 23: Adjust the Front Leveling Leg

4. Repeat in right back corner.
5. Adjust front leveling legs so that the bottom of the cooktop trim is $\frac{1}{2}$ " higher than the corresponding countertop surface.

Slide Range into Opening

1. Plug in power cord.
2. Dampen countertop and foam tape with soapy water.

3. Slide range into opening, being careful not to damage countertops, floors, or the range drawer front. Do not apply pressure to cooktop when sliding into position.

Tip: Remove the drawer to prevent damage.

Check Back of Range for Proper Installation

1. When properly installed, the cooktop trim around the back of the range will rest lightly on the countertop.
2. There should not be any gap between the countertop and the trim; however, the weight of the range must not rest on the countertop. Look under the range to verify that both back legs are resting solidly on the floor. Also verify that the left range leg is under the anti-tip bracket.

Caution: Verify that the weight of the range is not resting on the counterop. This could result in damage to the countertop and the appliance.

3. If the back legs are not resting solidly on the floor or the left leg is not under the anti-tip bracket, slide range out, adjust legs and slide back in.

Adjust Front of Range for Proper Installation

1. Adjust front leveling legs so that the cooktop trim rests snugly against the countertop all the way around.
2. Verify that both front legs are resting solidly on the floor.
3. Use a level to verify that the range is level and plumb.

Test the Installation

Turn on Power at Breaker

Caution: If the display flashes and beeps, the polarity of the wiring may be reversed. Reversed polarity can damage the range and can result in electrical shock hazard. Immediately switch off power at the breaker and return to “Connect Electric - Range Cord” on page 8.

Service

Before Calling Service

See Use and Care Manual for troubleshooting information. Refer to the Warranty in the Use and Care Manual.

To reach a service representative, see the contact information at the front of the manual. Please be prepared with the information printed on your product data plate when calling.

Product Data Plate

The data plate shows the model and serial number. Refer to the data plate on the appliance when requesting service. It is located on the frame near the drawer. Open the drawer to view it.

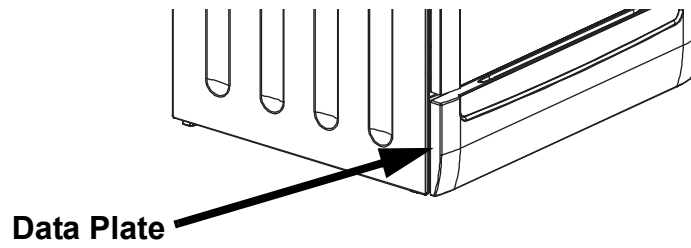


Figure 24: Data Plate

Table des matières

Sécurité	1
Installation	2
Avant de commencer	2
Marche à suivre d'installation	7
Service	17
Avant d'effectuer un appel de service	17

Questions?

1.800.944.2904

www.boschappliances.com

5551 McFadden Ave.
Huntington Beach, CA 92649

Nous attendons vos nouvelles !

Sécurité



INSTRUCTIONS DE SÉCURITÉ IMPORTANTES

LIRE ET CONSERVER CES INSTRUCTIONS

Instructions de sécurité importantes

- **Avertissement** : si l'information de ce guide n'est pas suivie exactement, il peut en résulter un choc électrique ou un incendie pouvant causer des dommages à la propriété ou des blessures.
- **AVERTISSEMENT** : ne pas réparer ni remplacer les pièces de l'appareil à moins que cela ne soit spécifiquement recommandé dans les guides. Une installation, un service ou un entretien inadéquat peut causer des dommages à la propriété ou des blessures. Consulter ce guide. Tout autre service doit être effectué par un technicien qualifié.

Sécurité pour manipuler l'appareil

- Ne pas soulever l'appareil par la poignée. Enlever la porte pour faciliter la manutention et l'installation. Voir les instructions du guide d'utilisation et d'entretien.
- L'appareil est lourd et il faut au moins deux personnes ou un équipement approprié pour le déplacer.
- Certaines surfaces présentent des bords tranchants. Faire attention en allant derrière ou sous l'appareil.

Normes et codes de sécurité

- Cet appareil est conforme avec une ou plusieurs des normes
UL 858, norme pour la sécurité des cuisinières électriques domestiques
UL 923, norme pour les appareils de cuisson micro-ondes
UL 507, norme pour les ventilateurs électriques
ANSI Z21.1-2000, norme nationale américaine pour appareils de cuisson à gaz domestiques
CAN/CSA-C22.2 n° 113-M1984 ventilateurs
CAN/CSA-C22.2 n° 61-M89 cuisinières domestiques
Il incombe au propriétaire et à l'installateur de déterminer si des exigences et ou normes additionnelles s'appliquent aux installations spécifiques.

Sécurité électrique

- Avant de brancher l'appareil, s'assurer que tous les contrôles sont en position arrêt.
- Pour les appareils dotés d'un cordon et d'une fiche, ne pas couper ni enlever la broche de mise à la terre. Il doit être branché sur une prise mise à la terre appropriée pour éviter les chocs électriques. En cas de doute concernant la mise à la terre adéquate de la prise, la faire vérifier par un électricien qualifié.
- Si requis par le Code national d'électricité (ou le code canadien d'électricité), cet appareil doit être installé sur un circuit terminal séparé.
- Seul un nécessaire de cordon d'alimentation coté pour cet appareil et marqué " pour utilisation avec cuisinières " peut être utilisé.
- Installateur - indiquer au propriétaire l'emplacement du coupe-circuit ou du fusible. Le noter à des fins de références.
- Important - conserver pour utilisation par l'inspecteur en électricité local.
- Avant l'installation, mettre l'alimentation hors circuit au panneau de service, le verrouiller pour éviter la mise en circuit accidentelle.

Sécurité relative à l'équipement

- S'assurer que l'appareil est installé et mis à la terre adéquatement par un technicien qualifié. L'installation, les connexions électriques et la mise à la terre doivent être conformes à tous les codes applicables.
- Avertissement : toute cuisinière peut basculer et causer des blessures. Installer le dispositif anti bascule fourni avec l'appareil. S'assurer que le dispositif est bien enclenché. Voir les instructions d'installation.
- Enlever tout ruban et emballage avant d'utiliser l'appareil. Jeter l'emballage. Ne jamais laisser les enfants jouer avec le matériel d'emballage.
- Ne jamais modifier ni changer la fabrication de l'appareil. Par exemple, ne pas enlever les pieds niveleurs, panneaux, fils, couvercles ni dispositifs anti bascule/vis.
- Pour éliminer le risque de brûlures ou d'incendie en passant par dessus une surface chaude, il serait préférable d'éviter le rangement au-dessus de l'appareil. S'il y a un espace de rangement, le risque peut être réduit en installant une hotte à projection horizontale de 5 po minimum du bas de l'armoire.
- S'assurer que les armoires au-dessus de la surface de cuisson ont un minimum de 13 po (330 mm) de profondeur.

Installation

Avant de commencer

Outils et pièces nécessaires

- Nécessaire d'alimentation 40 ou 50 amp (selon les codes locaux)
Remarque : non nécessaire pour les installations au Canada
- Ruban à mesurer
- Tournevis à lame Phillips
- Clé 1 1/4 po (31,8 mm)
- Crayon
- Tournevis T-20
- Vis (2) et ancrages (2) pour fixation anti bascule (style variant selon la surface d'installation)
- Niveau
- Perceuse et mèches
- Eau savonneuse
- Gants et lunette de sécurité
- Ruban adhésif (optionnel)
- Carton ou chiffon (optionnel pour protéger le plancher)

Pièces additionnelles nécessaires pour installation à raccordement fixe

- Conduit flexible
- Clé dynamométrique
- **Remarque** : nécessaire de cordon d'alimentation non nécessaire pour installation à raccordement fixe

Pièces comprises

- Fixation anti bascule
- Ruban mousse

- Cosses (pour installation à raccordement fixe) (non nécessaires pour installation au Canada)

Généralités

Dimensions hors tout

Tableau 1: Dimensions hors tout

Dimension	Poids	Centimètres
Hauteur	36	91,44 cm
Largeur	29 5/16 po	74,55 cm
Profondeur	25 5/8 po	65,09 cm

Niveau

Pour de meilleurs résultats, les armoires, plans de travail, murs et plancher de l'emplacement doivent être le plus de niveau possible. Une variation peut causer des dommages au plan de travail et plancher pendant l'installation et pourrait nuire au joint de l'appareil et modifier la cuisson et le rendement.

Conseils

Appliquez du ruban adhésif au tiroir réchaud pour le garder fermé pendant l'installation de la cuisinière.

Pendant l'installation, placez une portion de la boîte ou autre sous la cuisinière afin de protéger le plancher.

Pour alléger l'appareil et en faciliter la maintenance, enlevez la porte (voir les instructions dans le guide d'utilisation et d'entretien).

Préparation

Exigences électriques

Consultez la plaque signalétique pour plus de détails. Voir "Plaque signalétique" à la page 17 pour l'emplacement.

Nous recommandons que la cuisinière soit installée avec un nécessaire de cordon d'alimentation (non fourni)¹. La cote électrique du cordon d'alimentation doit être de 120/240 volts, 40 ou 50 ampères minimum (selon les codes locaux). Le nécessaire de cordon d'alimentation doit être marqué " pour utilisation avec cuisinières ". Toujours utiliser un nouveau cordon d'alimentation.

Remarque : au Canada, la cuisinière est expédiée de l'usine avec le cordon déjà en place.

1. Non nécessaire pour les installations au Canada.

Les cuisinières sont une cote jumelée pour une utilisation avec le 120/240 VAC ou 120/208 CAV. Vérifier la plaque signalétique pour la cote kW. Voir la cote kW dans le tableau ci-dessous pour déterminer les exigences d'ampérage.

Tableau 2: Données techniques électriques

kW Cote		Hz	Amps Requis
120/240V	120/208V		
13	9.8	60	40 or 50 ^a
13.8	10.4	60	40 or 50 ^a

a. Varie selon les régions, vérifier les codes locaux.

La prise électrique doit être située dans la zone ombragée, figure 3.

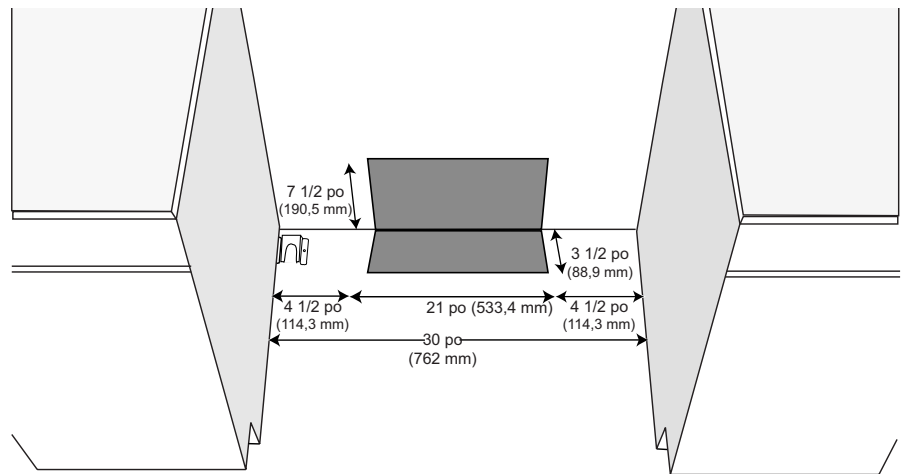


Figure 1: Dégagements de la surface de cuisson

Vérifier si le câblage résidentiel est adéquat

Communiquer avec la compagnie d'électricité locale pour s'assurer que le service électrique de la résidence est adéquat. Dans certains cas, le calibre du câblage de la résidence et l'interrupteur de service doivent être augmentés pour supporter la charge électrique requise par la cuisinière.

Vérifier si le câblage intérieur de la maison est adéquat

La plupart des codes de câblages requiert un circuit séparé avec un interrupteur de débranchement séparé et fusibles au panneau de service principal ou un interrupteur séparé et une boîte à fusibles.

La cuisinière requiert un circuit minimum de trois fils 120/240 ou 120/208 volts, 40 ou 50 amp., 60 Hz c.a. Vérifier les codes locaux concernant la cote d'ampérage appropriée. La connexion à 4 fils est recommandée.

La plupart des codes et règlements de construction locaux requièrent que le câblage électrique soit effectué par un électricien qualifié. S'assurer d'installer la cuisinière conformément aux codes électriques de la région.

Exigences pour l'armoire

Cet appareil est conçu pour une installation près de murs adjacents et surfaces projetées fabriqués de matériaux combustibles

Allouer un minimum de 30 po entre les armoires où la cuisinière est installée¹.
Voir figure 2: Exigences de découpe for more information..

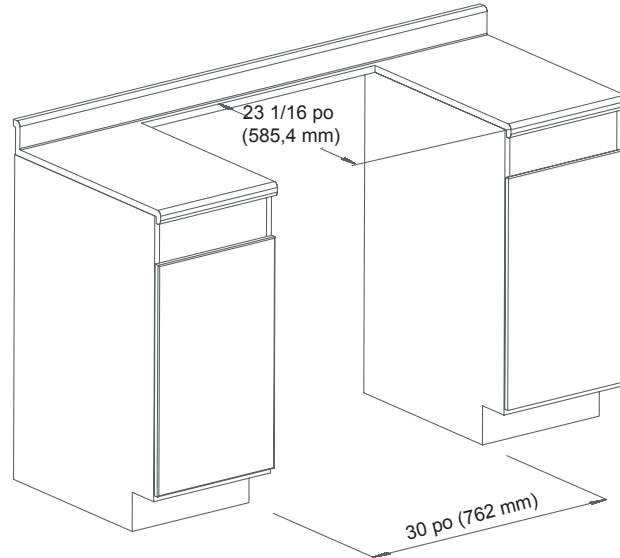


Figure 2: Exigences de découpe

Remarque : la cuisinière à encastrer peut aussi remplacer une cuisinière amovible. Dans ce cas vérifier que l'ouverture a au moins 30 po.¹

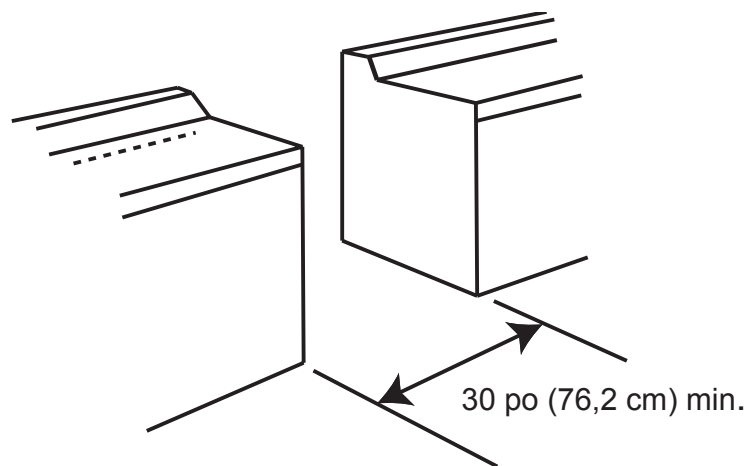


Figure 3: Exigences de découpe - remplacement d'un modèle amovible

1.Au Canada, un dégagement de 12 mm depuis le mur de la cuisinière à l'armoire est requis.

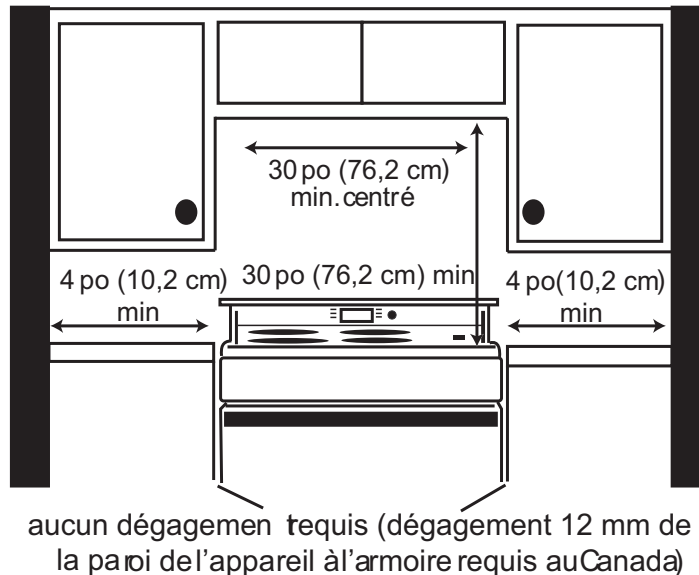


Figure 4: Préparation d'armoire

Dégagement requis¹

De la surface de cuisson aux matériaux au-dessus : Il doit y avoir un dégagement minimum de 30 po entre le haut de la surface de cuisson et le bas d'une armoire en métal ou en bois non protégé. Voir figure 4: Préparation d'armoire.

24 po sont acceptables lorsque le bas d'armoire en bois ou en métal sont protégées par (a) pas moins de 1/4 po de matériaux ignifuges qui doivent être recouverts avec (b) une feuille en métal de pas moins de n° 28 MSG, acier inoxydable 0.015 po ou 0.024 po d'aluminium ou de cuivre.

Depuis les murs de la cuisinière aux matériaux adjacents : Voir figure 4: Préparation d'armoire. Aucun dégagement n'est nécessaire depuis les murs de l'appareils aux murs combustibles verticaux adjacents sur l'arrière, gauche ou droite.²

Le dégagement de la cuisinière aux murs verticaux adjacents doit être d'au moins 4 po.

Remarque : certains finis d'armoires ne peuvent supporter les températures permises par U.L., particulièrement avec four autonettoyant ; les armoires peuvent décolorer ou tacher. Ceci est plus remarquable avec les armoires laminées.

Préparer murs et planchers

Sceller tout trou dans les murs et plancher. Enlever toute obstruction (connexions électriques ou de gaz additionnelles, etc.) afin que la cuisinière soit adéquatement appuyée au mur.

Exigences de plan de travail

Le plan de travail doit être uni et de niveau.

Exigences de fixation

Installer le dispositif anti bascule

1. Les instructions ont été déterminées avec des armoires de type américain standard. Les armoires de base standard mesurent 36 po de haut x 24 po de profondeur. Les armoires au-dessus de la surface de cuisson et celles adjacentes mesurent 13 po de profondeur du mur arrière. Si des armoires non standard sont utilisées, il faut prendre et modifier les dimensions adéquatement.

2. Au Canada, un dégagement de 12 mm du mur de la cuisinière à l'armoire est requis.

1. Ajuster la hauteur de la cuisinière et mettre de niveau en tournant les pieds réglables au bas de la cuisinière à l'aide d'une clé 1 ¼ po.
2. Mesurer pour placer le dispositif. Voir figure 5: Dispositif anti bascule.
3. Fixer avec 2 vis appropriées pour la surface d'installation (ex. : pour plancher en bois, utiliser des vis à bois, pour le ciment, utiliser des ancres et des vis).

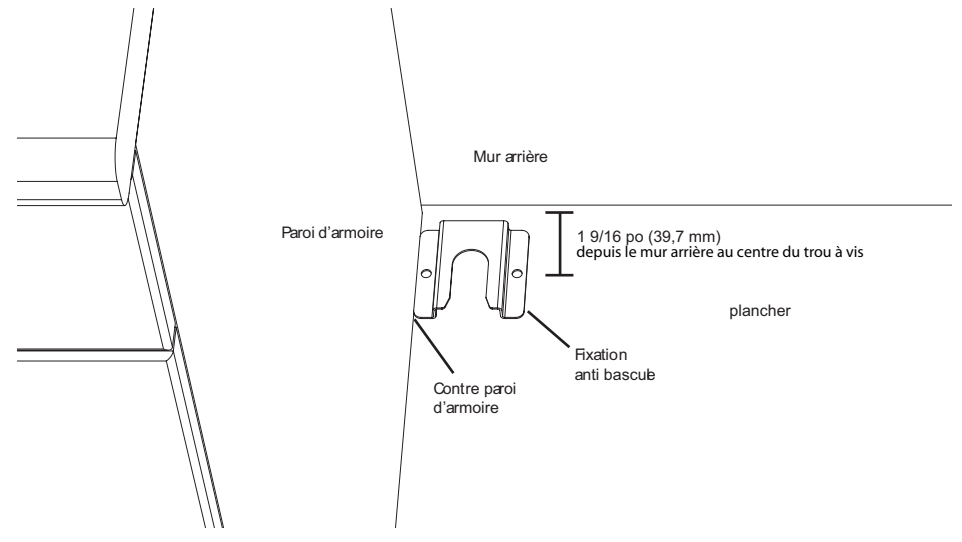


Figure 5: Dispositif anti bascule

Recommandation de ventilation

Nous recommandons l'installation d'une hotte au-dessus de l'appareil.

Pour la plupart des cuisines, une hotte certifiée ayant une cote de pas moins de 300 pi³/min est recommandée. La hotte doit être installée selon les instructions fournies avec l'appareil.

Marche à suivre d'installation

Apposer du ruban mousse Apposer du ruban mousse sur le côté inférieur de la garniture de surface de cuisson en une pièce continue.

Remarque : NE PAS utiliser de calfeutrage ni de colle/adhésif que ce soit.

Garniture de dossier

Remarque : cette étape est requise seulement si le plan de travail n'est pas relié derrière la cuisinière (par exemple, lorsque l'on remplace une cuisinière amovible) Voir "Exigences pour l'armoire" à la page 4 pour plus de détails.

Installer deux vis par les trous de la garniture et le dossieret de la cuisinière. Voir Figure 6: Bande de garniture de dossieret et Figure 7: Installer la bande de garniture de dossieret.

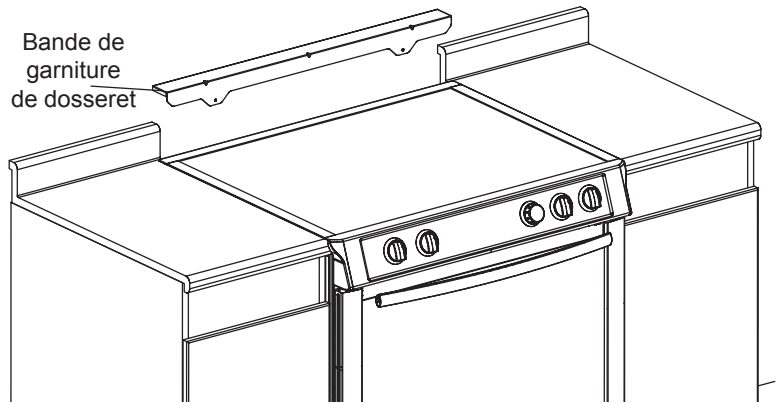


Figure 6: Bande de garniture de dossieret

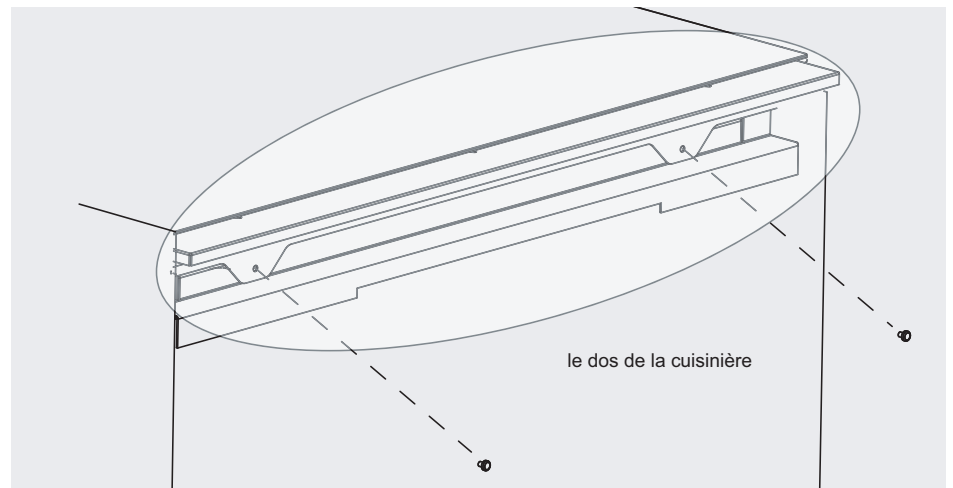


Figure 7: Installer la bande de garniture de dossieret

Connexion électrique - cordon de cuisinière

Installation du réducteur de tension

Remarque : au Canada, la cuisinière est expédiée de l'usine avec un cordon d'alimentation déjà installé. Poursuivre à "Compléter l'installation" à la page 16.

Pour les installations autres qu'au Canada, brancher le cordon de la cuisinière au bloc de bornes. (voir la page suivante pour plus de détails). Accéder au bloc de bornes en enlevant le couvercle dans le coin inférieur droit du panneau arrière de la cuisinière.



Avertissement : le réducteur de tension fourni avec le cordon de la cuisinière doit être installé.

Placer un réducteur de tension dans le trou à estamper sous le bloc de bornes. Voir figure 8: Trou à estamper du réducteur de tension. Alimenter le cordon par le trou et le réducteur de tension vers le bloc de bornes. Laisser assez de cordon

entre le réducteur de tension et le bloc de bornes. Une fois la longueur ajustée, fixer le réducteur de tension selon les instructions fournis avec le réducteur.

Conseil : le panneau à estamper (sous le bloc de bornes) peut être enlevé de la cuisinière pour installer le réducteur de tension. Enlever le panneau de la cuisinière, installer le réducteur de tension sur le panneau, puis remettre en place. NE PAS enlever complètement le panneau arrière de l'appareil.

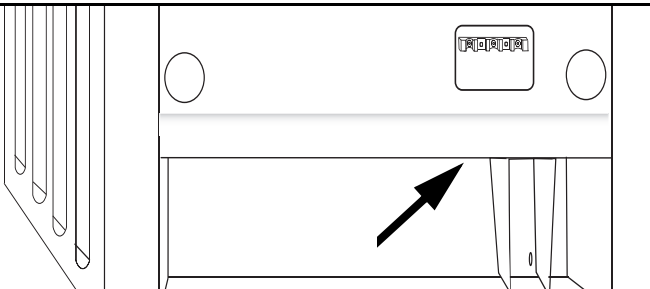


Figure 8: Trou à estamper du réducteur de tension



Avertissement : Risque de choc électrique ou d'incendie. Le cadre mis à la terre au neutre par le conducteur de terre. La mise à la terre par le conducteur neutre est interdit pour les nouvelles installations de circuit terminal (1996 NEC), maisons mobiles et véhicules récréationnels ou dans les endroits où les codes interdisent la mise à la terre par un conducteur neutre.

Pour les installations où la mise à la terre par le conducteur neutre est interdite, (a) débrancher le lien du neutre, (b) utiliser la borne de terre ou le fil pour mettre l'appareil à la terre, (c) brancher la borne neutre sur le fil neutre du circuit terminal de la façon habituelle (lorsque l'appareil doit être branché par un nécessaire de cordon, utiliser un cordon à 4 fils).

Utiliser seulement les nécessaires de cordon cotés 125/250 volts (minimum), 50 ampères et étiquetés « Pour utilisation avec cuisinière ». Le réducteur de tension fourni avec le cordon doit être installé selon les instructions fournies avec le cordon.

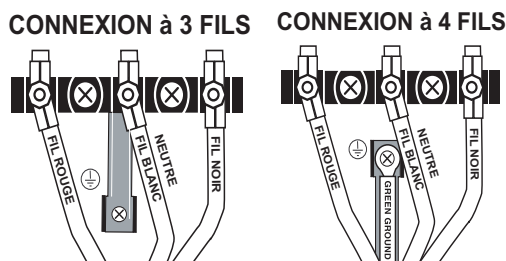


Figure 9: Exigences de mise à la terre



Avertissement : pour éviter les choc électriques, la broche de mise à la terre du cordon ne doit pas, en aucun cas, être coupée ni enlevée. Elle doit être branchée sur une prise mise à la terre correspondante et branchée sur un circuit 240 volts adéquatement polarisé. En cas de doute concernant la mise à la terre, communiquer avec un électricien qualifié.

Connexion du cordon à 4 fils (méthode recommandée)

1. Débrancher l'alimentation électrique au disjoncteur.
2. Enlever le couvercle du bloc de bornes pour exposer le bloc de borne..

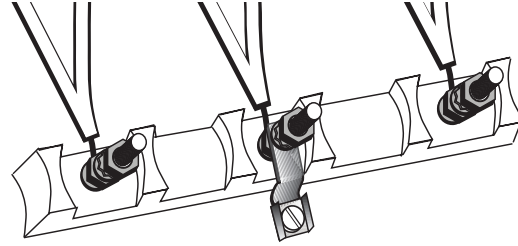


Figure 10: Connexion à 4 fils

3. Enlever l'écrou supérieur, rondelle étoile et rondelle ronde de chaque tige.

Remarque : NE PAS enlever la dernière rondelle ronde, dernier écrou ou fils de câblage interne.

4. Enlever la vis au bas de l'extrémité du conducteur de terre.
5. Enlever le conducteur de terre de la tige centrale, tourner afin que l'extrémité large soit au haut et fixer l'extrémité large à la cuisinière par le trou sous la boîte de jonction. Fixer le fil vert sur le dessus du conducteur de terre. Serrer la vis.

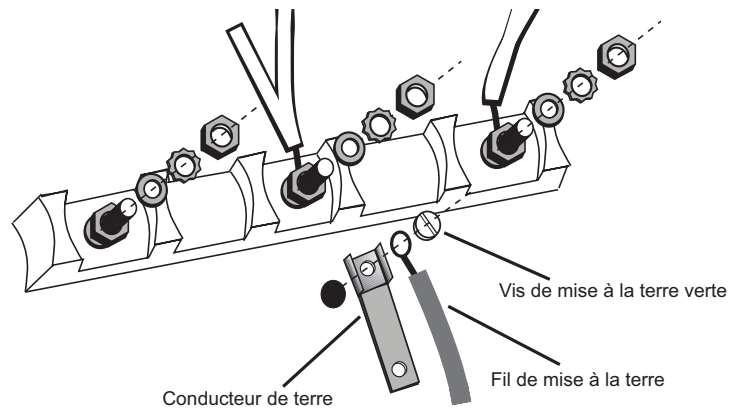


Figure 11: Connexion de cuisinière – conducteur de terre et fil

6. Fixer le fil rouge, rondelle ronde, rondelle étoile et écrou DANS CET ORDRE sur la tige gauche.
7. Fixer le fil blanc, rondelle ronde, rondelle étoile et écrou DANS CET ORDRE sur la tige centrale.

8. Fixer le fil noir, rondelle ronde, rondelle étoile et écrou DANS CET ORDRE sur la tige droite..

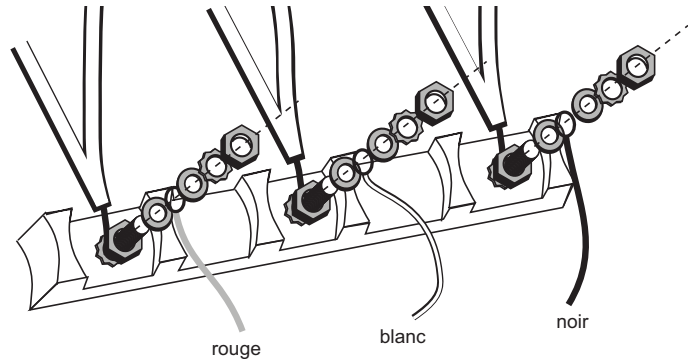


Figure 12: Connexion de cuisinière à 4 fils (suite)

9. Serrer toutes les connexions adéquatement et remettre le couvercle du bloc de bornes.
10. Bien fixer le réducteur de tension (voir rubrique précédente).

Remarque : NE PAS brancher l'appareil à ce moment.

Connexion de cuisinière à 3 fils

La connexion à 4 fils est préférable, mais là où les codes et règlements permettent la mise à la terre par le neutre et où la conversion à 4 fils n'est pas pratique, l'appareil peut être branché sur l'alimentation électrique par une connexion à 3 fils.

1. Débrancher l'alimentation électrique au disjoncteur.
2. Enlever le couvercle du bloc de bornes pour exposer le bloc de borne.

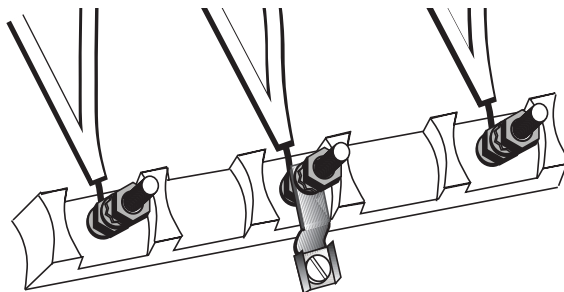


Figure 13: Bloc de bornes

3. Enlever l'écrou supérieur, rondelle étoile et rondelle ronde de chaque tige.

Remarque : NE PAS enlever la dernière rondelle ronde, dernier écrou ou fils de câblage interne.

4. Fixer le fil blanc, rondelle ronde, rondelle étoile et écrou DANS CET ORDRE sur le dessus du conducteur de terre sur la tige centrale
5. Fixer le fil rouge, rondelle ronde, rondelle étoile et écrou DANS CET ORDRE sur la tige gauche

- Fixer le fil noir, rondelle ronde, rondelle étoile et écrou DANS CET ORDRE sur la tige droite.

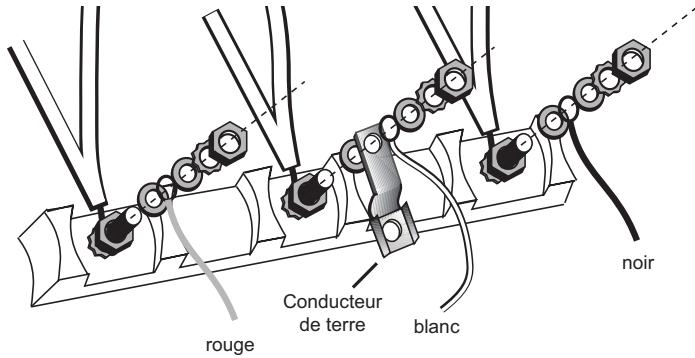


Figure 14: Connexion à 3 fils

- Serrer toutes les connexions adéquatement et remettre le couvercle du bloc de bornes..

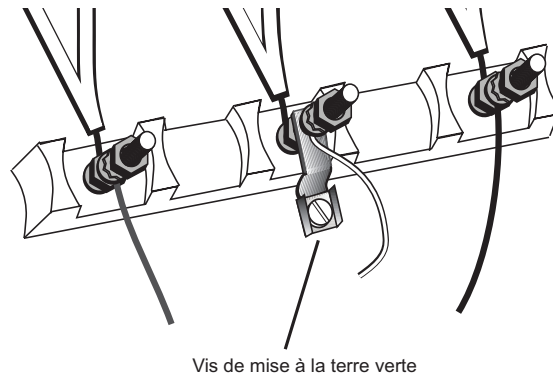


Figure 15: Connexion à 3 fils complétée

- Bien fixer le réducteur de tension Voir "Installation du réducteur de tension" à la page 8 pour plus de détails.

Connexion électrique - conduit flexible

La cuisinière peut être branchée par l'entremise d'un conduit flexible. Si l'on utilise cette méthode, toujours utiliser les cosses fournies.

Remarque : au Canada, la cuisinière est expédiée de l'usine avec un cordon d'alimentation déjà installé. Poursuivre à "Compléter l'installation" à la page 16.

Connexion de conduit flexible à 4 fils

- Débrancher l'alimentation électrique au disjoncteur.
- Enlever le couvercle du bloc de bornes pour exposer le bloc de borne.
- Enlever l'écrou supérieur, rondelle étoile et rondelle ronde de chaque tige.

Remarque : NE PAS enlever la dernière rondelle ronde, dernier écrou ou fils de câblage interne.

- Enlever la vis de l'extrémité inférieure du conducteur de terre.
- Enlever le bloc de bornes de la tige centrale. Jeter.
- Fixer une cosse (fournie avec ce guide) par le trou sous le bloc de bornes avec la vis de mise à la terre.
- Placer une cosse (fournie avec ce guide) sur chaque tige. Remettre la rondelle étoile et la rondelle ronde et fixer avec une force de 20 po/lb.

8. Dégainer 3/8 po (9,53 mm) d'isolant de l'extrémité du fil..



Figure 16: Dégainer le fil

9. Insérer le fil de mise à la terre isolé sur la cosse sous le bloc de bornes.
10. Insérer l'extrémité dénudée du fil de mise à la terre blanc isolé dans la cosse centrale. Fixer avec une vis à pince..

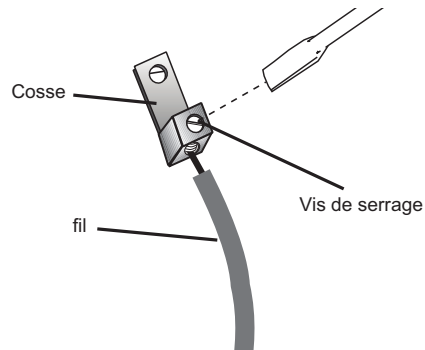


Figure 17: Fixer le fil à la cosse

11. Insérer l'extrémité dénudée du fil rouge dans la cosse gauche. Fixer avec la vis à pince.
12. Insérer le fil noir dans la cosse droite. Fixer avec la vis à pince. Serrer chaque vis à pince avec une force appropriée (voir tableau).

Tableau 3: Niveau de force approprié pour fil aluminium ou cuivre

Calibre	Force (po/lb)	Force (Nm)
6	35	3,95
8	25	2,82

13. Fixer adéquatement le conduit flexible au trou à estamper en angle et à la boîte de jonction, côté alimentation. Le câblage est complété.

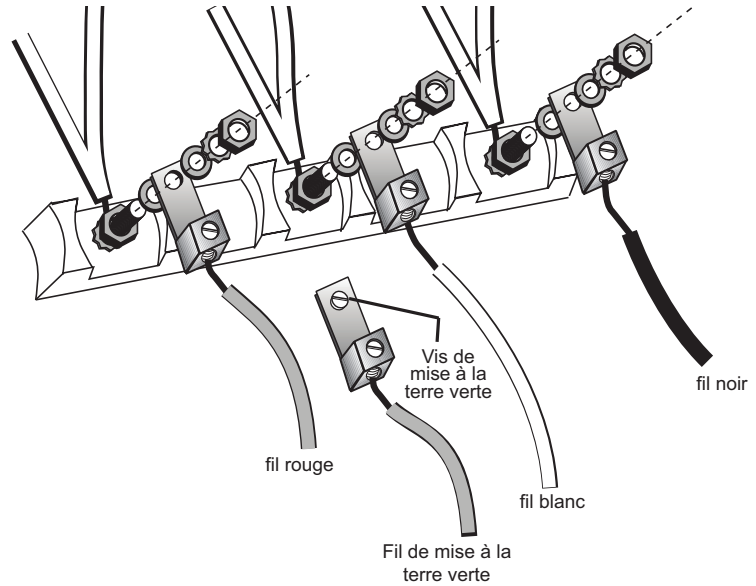


Figure 18: Connexion de conduit flexible à 4 fils complétée

Remarque : NE PAS brancher l'appareil à ce moment.

Connexion de conduit flexible à 3 fils

La connexion à 4 fils est préférable, mais là où les codes et règlements permettent la mise à la terre par le neutre et où la conversion à 4 fils n'est pas pratique, l'appareil peut être branché sur l'alimentation électrique par une connexion à 3 fils.

1. Débrancher l'alimentation électrique au disjoncteur.
2. Enlever le couvercle du bloc de bornes pour exposer le bloc de borne.

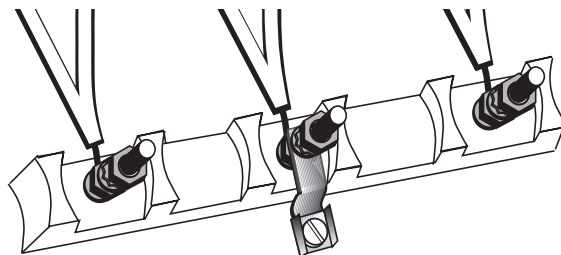


Figure 19: Bloc de bornes

3. Enlever l'écrou supérieur, rondelle étoile et rondelle ronde de chaque tige.

Remarque : NE PAS enlever la dernière rondelle ronde, dernier écrou ou fils de câblage interne.

4. Placer une cosse (fournie avec ce guide) sur chaque tige. Remettre la rondelle étoile et la rondelle ronde et fixer avec une force de 20 po/lb.

- Dégainer 3/8 po (9,53 mm) d'isolant de l'extrémité du fil..

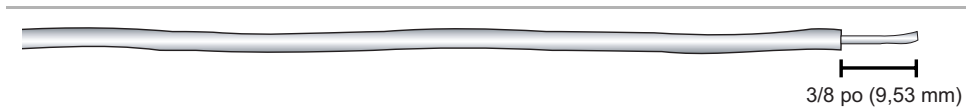


Figure 20: Dégainer le fil

- Insérer l'extrémité dégainée du fil blanc dans la cosse centrale. Fixer avec une vis de serrage..

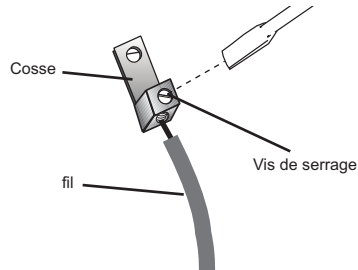


Figure 21: Fixer le fil à la cosse

- Insérer l'extrémité dégainée du fil rouge sur la cosse gauche. Fixer avec une vis de serrage.
- Insérer l'extrémité dégainée du fil noir dans la cosse droite. Fixer avec une vis de serrage.
- Serrer chaque vis de serrage avec une force appropriée (voir le tableau).

Tableau 4: Niveau de force approprié pour fil aluminium ou cuivre

Calibre	Force (po/lb)	Force (Nm)
6	35	3,95
8	25	2,82

- Fixer adéquatement le conduit flexible au trou à estamper en angle et à la boîte de jonction, côté alimentation. Le câblage est complété.

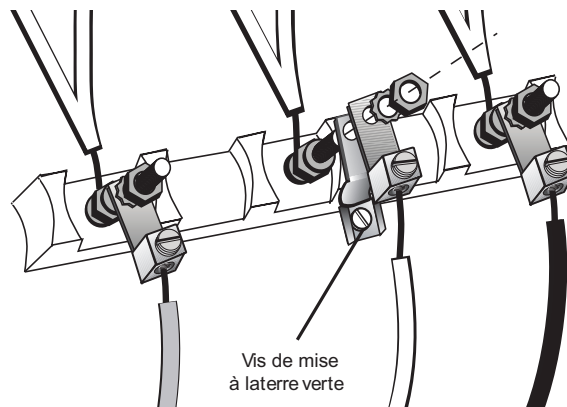


Figure 22: Conduit flexible à 3 fil complété

Remarque : NE PAS brancher l'appareil à ce moment.

Compléter l'installation

Régler le niveau des pieds

1. Aligner la cuisinière devant l'ouverture.
2. Mesurer le coin arrière gauche de l'ouverture depuis le plancher au haut du plan de travail.
3. Mesurer le coin arrière gauche de la cuisinière au bas de la garniture de surface de travail. Utiliser une clé pour régler le niveau du pied jusqu'à ce que cette hauteur soit la même que celle du coin. .

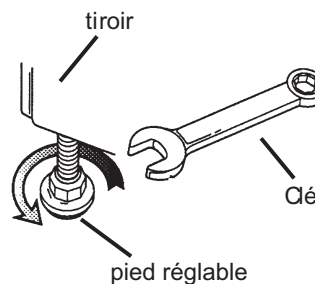


Figure 23: Régler les pieds niveleurs avant

4. Répéter avec le coin arrière droit.
5. Régler les pieds niveleurs avant afin que le bas de la garniture de surface de cuisson soit $\frac{1}{2}$ po plus haut que la surface du plan de travail correspondante.

Glisser la cuisinière en place

1. Brancher le cordon d'alimentation.
2. Humidifier le plan de travail et le ruban mousse avec de l'eau savonneuse. .
3. Faire glisser la cuisinière dans l'ouverture en faisant attention à ne pas endommager le plan de travail, plancher ou le devant du tiroir de la cuisinière. Ne pas appliquer de pression à la surface de cuisson au moment de mettre en place.

Conseil : enlever le tiroir pour éviter tout dommage.

Vérifier le dos de la cuisinière pour une installation adéquate

1. Lorsque bien installée, la garniture de surface de cuisson autour du dos de la cuisinière repose légèrement sur le plan de travail.
2. Il ne devrait pas y avoir d'espace entre le plan de travail et la garniture ; toutefois, le poids de la cuisinière ne doit pas reposer sur le plan de travail. Regarder sous l'appareil afin de vérifier si les deux pieds arrière sont solidement au sol. Vérifier si le pied gauche de la cuisinière est inséré sous le dispositif anti bascule.

Attention : s'assurer que le poids de la cuisinière ne repose pas sur le plan de travail. Ceci peut endommager le plan de travail et l'appareil.

3. S les pieds arrière ne sont pas solidement au sol ou que le pied gauche n'est pas sous le dispositif anti bascule, sortir la cuisinière, régler les pieds et remettre en place.

Régler le devant de la cuisinière pour une installation adéquate

1. Régler les pieds niveleurs avant afin que la garniture de surface de cuisson repose bien contre le plan de travail tout autour.
2. S'assurer que les deux pieds avant sont solidement au sol.
3. Utiliser un niveau pour vérifier si la cuisinière est bien de niveau.

Vérifier l'installation

Mettre en circuit au coupe-circuit

Attention : si l'affichage clignote et émet un bip, la polarité du câblage peut être inversée. Une polarité inversée peut endommager la cuisinière et causer un risque de choc électrique. Fermer l'alimentation au coupe-circuit et retourner à "Connexion électrique - cordon de cuisinière" à la page 8.

Service

Avant d'effectuer un appel de service

Voir le guide de dépannage du guide d'utilisation et d'entretien. Consulter la garantie.

Pour communiquer avec un représentant de service, voir l'information au début du guide. Avoir l'information imprimée sur la plaque signalétique sous la main avant de téléphoner.

Plaque signalétique

La plaque signalétique donne les numéros de modèle et de série. La consulter au moment de faire un appel de service. Elle est située sur le carenès près du tiroir. Ouvrir le tiroir pour la voir.

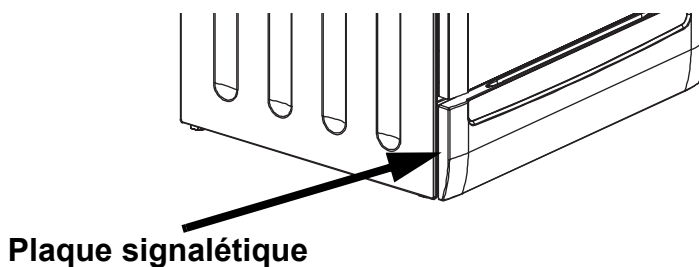


Figure 24: Plaque signalétique

Tabla de Contenidos

Seguridad	1
Instalación	2
Antes de comenzar	2
Procedimiento de Instalación	7
Servicio	16
Antes de llamar al servicio	16

¿Preguntas?

1-800-944-2904

www.boschappliances.com

5551 McFadden Ave.
Huntington Beach, CA 92649

¡Estamos a sus órdenes!

Seguridad



INSTRUCCIONES IMPORTANTES DE SEGURIDAD

LEA Y GUARDE ESTAS INSTRUCCIONES

Instrucciones Importantes de Seguridad

- **Advertencia:** El hecho de no observar con exactitud la información en este manual puede causar un incendio o una descarga eléctrica y provocar lesiones o daños a la propiedad.
- **ADVERTENCIA:** No repare o reemplace ninguna parte del aparato a menos que se recomienda específicamente en los manuales. La instalación, servicio o mantenimiento no apropiado puede causar lesiones o daños a la propiedad. Consulte este manual como guía. Contrate a un técnico calificado para todos los demás servicios.

Seguridad al manejar el aparato

- No levante el aparato por la agarradera de la puerta. Quite la puerta para facilitar el manejo y la instalación. Vea las instrucciones en el manual de uso y cuidado.
- La unidad está pesada y requiere al menos de dos personas o de un equipo apropiado para moverla.
- Las superficies ocultas pueden tener bordes filosos. Tenga cuidado cuando meta la mano detrás o abajo del aparato.

Códigos de seguridad y normas

- Este aparato cumple con una o más de las siguientes normas:
 - UL 858, La norma para la seguridad de estufas electrodomésticas
 - UL 923, La norma para aparatos (hornos) de microondas
 - UL 507, La norma para la seguridad de ventiladores eléctricos
 - ANSI Z21.1-2000, La norma americana nacional para aparatos domésticos de cocina que funcionan con gas
 - CAN/CSA-C22.2 No. 113-M1984 Ventiladores
 - CAN/CSA-C22.2 No. 61-M89 Estufas domésticasEs la responsabilidad del propietario y del instalador determinar si aplican requerimientos y/o normas adicionales a instalaciones específicas.

Seguridad eléctrica

- Antes de enchufar un cable eléctrico, asegúrese que todos los controles estén en la posición OFF (Apagado).
- No corte la clavija de tierra en aparatos que incluyen un cable con enchufe. Se debe enchufar en una tomacorriente aterrizada que coincida con el enchufe para evitar una descarga eléctrica. Si tiene alguna duda con respecto a si la tomacorriente está puesta a tierra correctamente, el cliente debería contratar a un eléctrico calificado para revisarla.
- Si el Código Eléctrico Nacional (o el Código Eléctrico de Canadá) lo requiere, se debe instalar este aparato en un circuito derivado separado.
- Se debe utilizar solamente un cable apropiado de alimentación eléctrica para este aparato y marcado "para uso con estufas".
- Instalador - enseñe al propietario el lugar del cortacircuitos o de la caja de fusibles. Márquelo para futuras referencias.
- Importante - Guarde estas instrucciones para el uso del inspector eléctrico.
- Antes de instalar el aparato, apague la corriente en el panel de servicio. Bloquee el panel de servicio para evitar que se prenda la corriente accidentalmente.

Seguridad del equipo

- Asegúrese de que su aparato esté instalado y aterrizado correctamente por un técnico calificado. La instalación, las conexiones eléctricas y la puesta a tierra deben cumplir con todos los códigos aplicables.
- **Advertencia:** Todas las estufas pueden volcarse. Esto puede causar lesiones. Instale el dispositivo antivolcadura que se incluye con la estufa. Verifique que los dispositivos antivolcadura estén enganchados. Vea las instrucciones de instalación.
- Quite las cintas adhesivas y materiales de empaque antes de usar el aparato. Destruya el cartón y las bolsas de plástico después de desempacar el aparato. Nunca permita que los niños jueguen con el material de empaque. Nunca modifique o altere la construcción del aparato. Por ejemplo, no quite las patas de nivelación, paneles, alambres, cubiertas o dispositivos antivolcadura/tornillos. Para eliminar el riesgo de sufrir quemaduras o de causar un fuego cuando trata de alcanzar cosas arriba de las unidades superficiales calientes, se debe evitar el espacio de almacenamiento en gabinetes arriba de las unidades superficiales. Cuando se tiene que proporcionar este espacio de almacenamiento, se puede reducir el riesgo al instalar una campana que salga horizontalmente un mínimo de 5 pulgadas (127 mm) arriba del fondo del gabinete.
- Verifique que los gabinetes arriba de la parrilla tengan una profundidad máxima de 13" (330 mm).

Instalación

Antes de comenzar

Herramientas y partes que se necesitan

- Juego de cable de alimentación eléctrica de 40 o 50 amps (depende del código local) (Nota: no se necesita para instalaciones en Canadá)
- Cinta de medir
- Destornillador de cabeza Phillips (de cruz)
- Llave inglesa de 1-1/4" (31.8 mm)
- Lápiz
- Destornillador de cabeza Torx T-20
- Tornillos (2) y anclas (2) para el soporte antivolcadura (El estilo varía dependiendo de la superficie de montaje)
- Niveleta
- Taladro y broca
- Agua con jabón
- Guantes y lentes de seguridad
- Cinta (Opcional)
- Trapo o cartón (Opcional - para proteger el piso)

Partes adicionales que se necesitan para instalaciones permanentes

- Conducto flexible
- Llave inglesa
- **Nota:** No se necesita el kit del cable de alimentación eléctrica con instalaciones permanentes

Partes incluidas

- Soporte antivibración
- Cinta de espuma
- Terminales de orejeta (Se usan con instalaciones permanentes) (no se necesitan para instalaciones en Canadá)

Información general

Dimensiones generales

Tabla 1: Dimensiones generales

Dimensiones	Pulgadas	Centímetros
Altura	36	91.44 cm
Ancho	29 5/16"	74.55 cm
Profundidad	25 5/8"	65.09 cm

Nivel

Para lograr mejores resultados, las paredes y los pisos de los gabinetes y de la cubierta deben ser lo más nivelados y desplomados posible en el lugar de la instalación. Una variación puede dañar las cubiertas y los pisos durante la instalación, podría perjudicar el sello alrededor de la parrilla y puede afectar los resultados negativamente cuando cocina u hornea.

Consejos

Ponga cinta al cajón calentador para evitar que se abra cuando instala la estufa.

Durante la instalación, coloque una parte de la caja o un pedazo de tela debajo de la estufa para proteger los pisos.

Quite la puerta para facilitar el manejo de la estufa (vea las instrucciones en el manual de uso y cuidado).

Preparación

Requerimientos eléctricos

Consulte la placa con información para más detalles. Vea la "Placa con datos del producto" en página 16 para ubicar la placa de información.

Recomendamos instalar la estufa con un cable de alimentación (no se incluye).¹ La capacidad eléctrica del cable de alimentación debe ser 120/240 volts, 40 o 50 amperes mínimo (dependiendo del código local). El cable de alimentación eléctrica debe estar marcado "Para uso con estufas." Siempre use un cable de alimentación nuevo.

Nota: En Canadá se envía la estufa desde la fábrica con el cable de alimentación ya instalado.

Las estufas funcionan con doble voltaje ya sea con 120/240 VAC o 120/208 VAC. Revise la placa de información para la capacidad en kW. Tome referencia de la capacidad kW en la tabla abajo para determinar los requerimientos del amperaje.

1.No se necesita para instalaciones en Canadá

Tabla 2: Especificaciones eléctricas

Régimen de kW		Hz	AMPS Requeridos
120/240V	120/208V		
13	9.8	60	40 or 50 ^a
13.8	10.4	60	40 or 50 ^a

a. Varía por lugar. Revise los códigos locales.

La tomacorriente debe quedar ubicada en el espacio sombreado en la Figura 3.

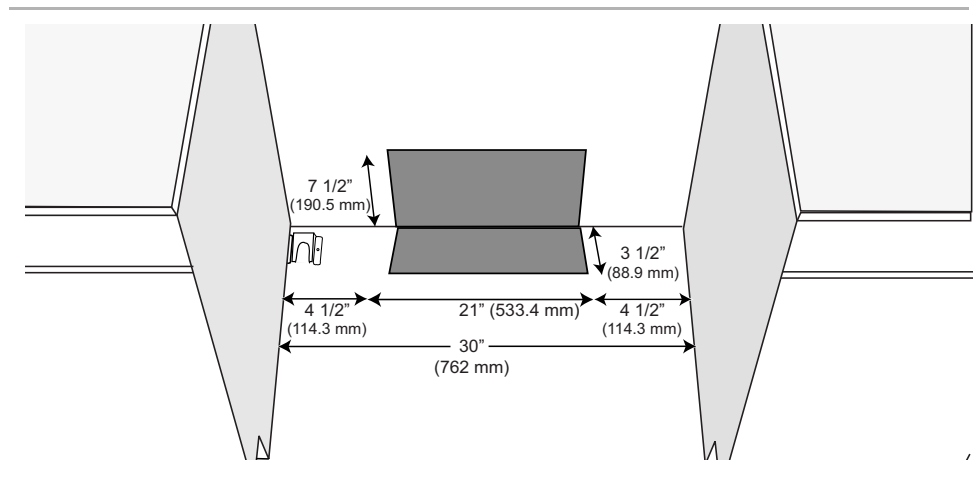


Figura 1: Espacios libres para los gabinetes

Verificar que el cableado a la casa sea apropiado

Contacte a su proveedor local de electricidad para verificar que el servicio eléctrico actual en su casa sea el adecuado. En algunos casos, se debe aumentar el tamaño del cableado a la casa y al interruptor de servicio para poder manejar la carga eléctrica exigida por la estufa.

Verificar que el cableado adentro de la casa sea apropiado

La mayoría de los códigos de cableado requieren un circuito separado con un desconectador y fusibles separados ya sea en el panel de la entrada principal o en una caja separada de interruptores y fusibles.

La estufa requiere mínimo un circuito de tres cables de 120/240 o 120/208 volts, 40 o 50 AMP, 60 Hz AC. Revise los códigos locales para el amperaje apropiado. Una conexión con cuatro cables es preferible.

La mayoría de los códigos locales de construcción requieren que un eléctrico autorizado realice el cableado eléctrico. Asegúrese de instalar su estufa conforme a los códigos eléctricos que aplican en su región.

Requerimientos para los gabinetes

Esta unidad está diseñada para una instalación cerca de paredes adyacentes y las superficies salientes que son hechas de materiales combustibles.

Permita un mínimo de 30 pulgadas (762 mm) entre los gabinetes donde se va a instalar la estufa¹. Vea Figura 2: Requerimientos del recorte para más información.

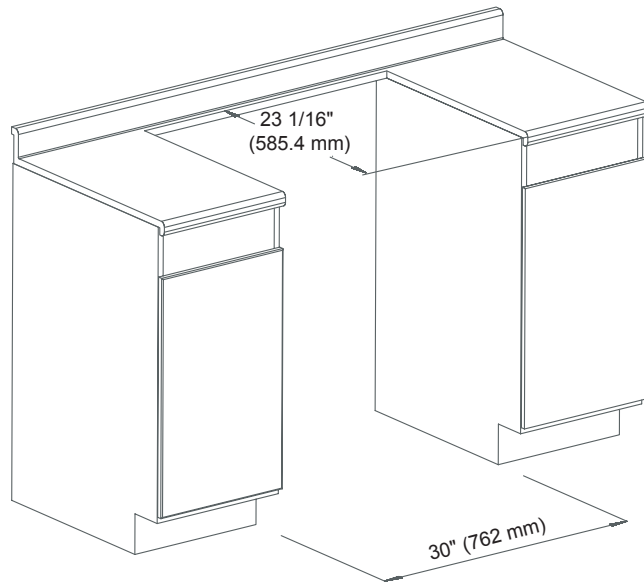


Figura 2: Requerimientos del recorte

Nota: La estufa deslizable puede sustituir también a una estufa autoestable. En este caso, verifique que la abertura sea de al menos 30 pulgadas (762 mm).¹

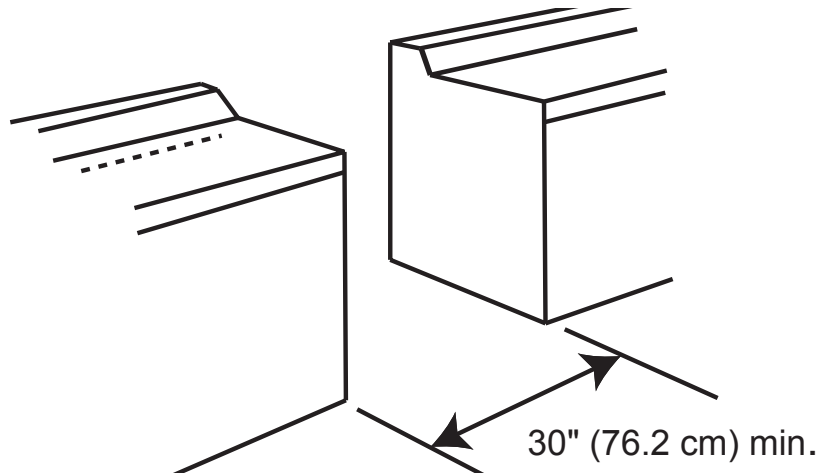
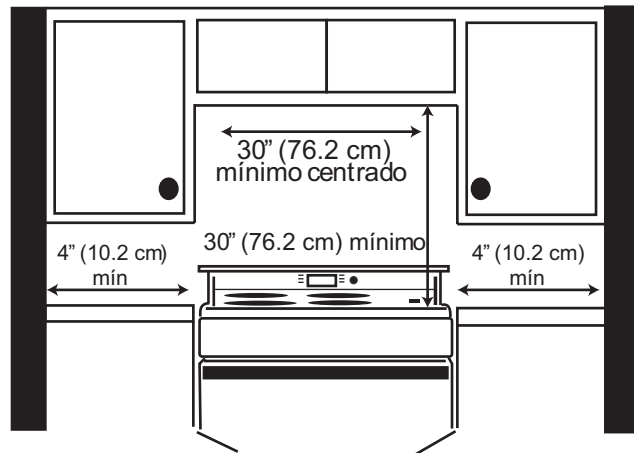


Figure 3: Requerimientos del recorte - sustituir un modelo autoestable

1. En Canadá se requiere un espacio libre de 12 mm de la pared lateral de la estufa al gabinete.



no se requiere espacio libre (en Canadá, se requiere un espacio libre de 12 mm del costado de la estufa al gabinete.)

Figura 4: Preparación para los gabinetes

Requerimiento para espacio libre¹

Desde la parrilla a los materiales arriba: Debe haber un espacio libre mínimo de 30 pulgadas entre la parte superior de la superficie de cocinar y el fondo de un gabinete de madera o metal no protegido. Vea Figura 4: Preparación para los gabinetes.

24 pulgadas (610 mm) son aceptables cuando el fondo del gabinete de metal o madera está protegido por (a) no menos de 1/4" de material retardante al fuego que debe estar cubierto con (b) no menos de chapa No. 28 MSG, con un grueso de 0.015 pulgadas (4 mm) de acero inoxidable o 0.024 pulgadas (6 mm) de aluminio o cobre.

Desde las paredes de la estufa a los materiales adyacentes: Vea Figura 4: Preparación para los gabinetes. No se requiere ningún espacio libre desde las paredes de la unidad a las paredes verticales adyacentes combustibles en la parte trasera, izquierda y derecha.²

El espacio libre desde la parte superior de la estufa a las paredes verticales adyacentes debe ser al menos 4".

Nota: El acabado de algunos gabinetes no puede sobrevivir las temperaturas permitidas por U.L. para aparatos electrodomésticos, sobre todo los hornos de autolimpieza; los gabinetes pueden perder su color o mancharse. Esto se nota aún más con gabinetes laminados.

Preparar las paredes y los pisos

Selle cualquier orificio en las paredes o el piso. Quite cualquier obstrucción (conexiones eléctricas o de gas adicionales) de modo que la estufa pueda descansar correctamente contra la pared.

1. Se determinaron las instrucciones en base a gabinetes americanos estándar. Los gabinetes estándar de piso miden 36" (910 mm) de altura x 24" (610 mm) de profundo. Los gabinetes arriba de la superficie de cocinar y los gabinetes junto a los que están arriba de la superficie de cocinar miden 13" (330 mm) de profundo de la pared trasera. Cuando se usan gabinetes no estándar, tenga cuidado de modificar las dimensiones correctamente.

2. En Canadá se requiere un espacio libre de 12 mm desde la pared lateral de la estufa hasta el gabinete.

Requerimientos para cubiertas

Las cubiertas deben quedar suaves y niveladas.

Requerimientos de montaje

Instalar el soporte antivolcadura

1. Ajuste la altura de la estufa y nivélela girando las patas ajustables en la parte inferior de la estufa, usando una llave de 1-1/4".
2. Tome medidas para localizar la posición del soporte como se indica en Veá Figura 5: Soporte antivolcadura.
3. Fije el soporte con 2 tornillos apropiados para la superficie de montaje (i.e., para un piso de madera use tornillos para madera, para un piso de concreto use anclajes y tornillos para concreto).

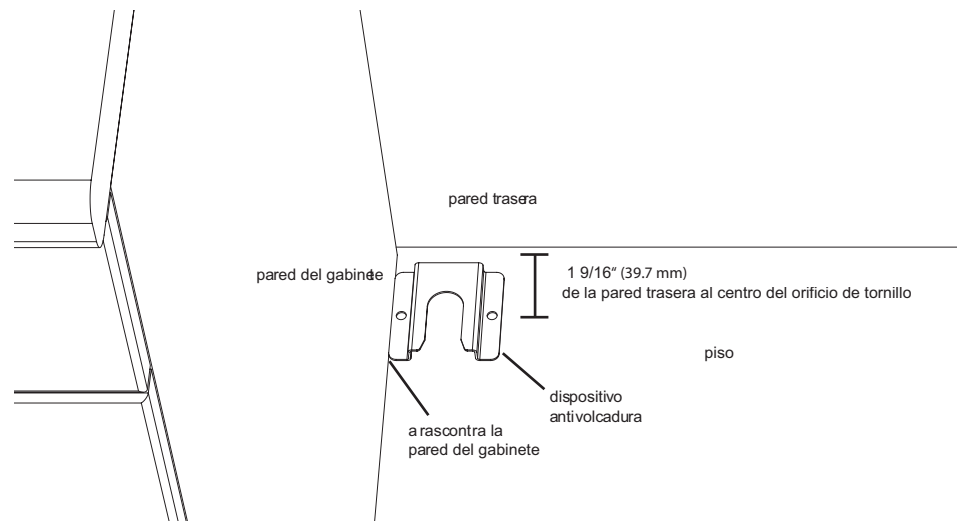


Figura 5: Soporte antivolcadura

Recomendaciones de ventilación

Recomendamos fuertemente instalar una campana de ventilación arriba de esta estufa. Para la mayoría de cocinas se recomienda una campana con un régimen eléctrico nominal no menor de 300 CFM. La campana debe ser instalada de acuerdo a las instrucciones incluidas con ésta.

Procedimiento de Instalación

Aplicar cinta de espuma

Aplique cinta de espuma a la parte inferior de la moldura de la parrilla en una sola pieza continua.

Nota: NO use junta calafateada o pegamento/adhesivo de ningún tipo.

Instalar la moldura de la pared trasera

Nota: Se requiere este paso solamente cuando la cubierta no está conectada detrás de la estufa (i.e.; cuando reemplaza una estufa autoestable).

Veá 'Requerimientos para los gabinetes' en página 4 para más información.

Instale 2 tornillos a través de los orificios en la moldura y en la pared trasera de la estufa. Veá Figura 6: Tira de la moldura de la pared trasera y Figura 7: "Instalar la tira de la moldura de la pared trasera" .

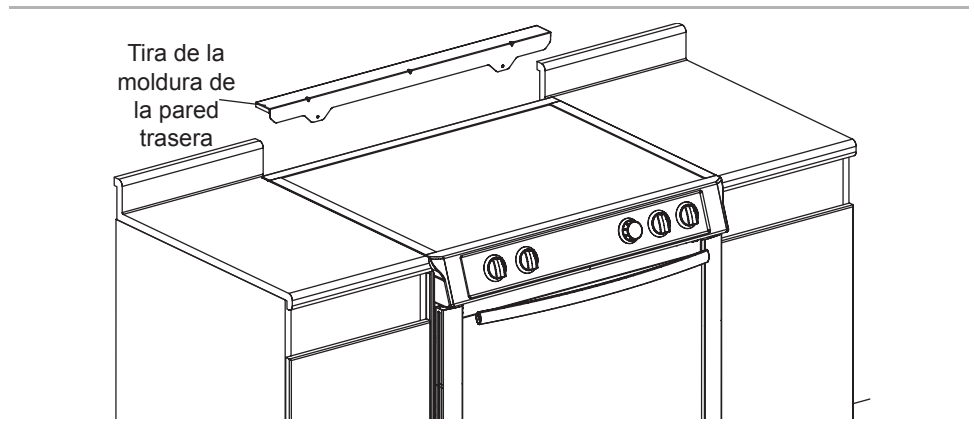


Figura 6: Tira de la moldura de la pared trasera

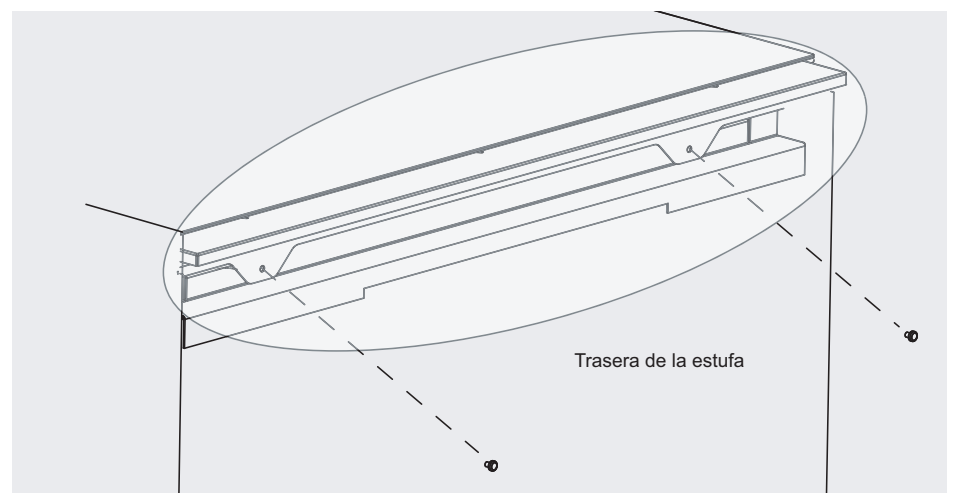


Figura 7: Instalar la tira de la moldura de la pared trasera

Conexión eléctrica - Cable de la estufa

Nota: En Canadá, se envía la estufa desde la fábrica con el cable de alimentación eléctrica instalado. Sigue al “Terminar la instalación” en página 15.

Para instalaciones fuera de Canadá, conecte el cable de alimentación de la estufa al bloque de terminales (Vea la siguiente página para instrucciones detalladas). Acceda al bloque de terminales abriendo la tapa en la esquina derecha inferior del panel trasero de la estufa.

Instalar el prensacables



Advertencia: Se debe instalar correctamente el prensacable que viene incluido con el cable de la estufa.

Coloque el prensacable en el agujero ciego abajo del bloque de terminales. Vea Figura 8: Agujero ciego del prensacable. Ponga el cable de la estufa a través del agujero y del prensacable hasta el bloque de terminales. Permita un poco de juego en el cable entre el prensacable y el bloque de terminales. Una vez que haya ajus-

tado la longitud/el juego del cable, fije el prensacable de acuerdo a las instrucciones incluidas con éste.

Consejo: Se puede quitar el panel botador de la estufa (abajo del bloque de terminales) para instalar el prensacable. Quite el panel botador de la estufa, instale el prensacable en el panel y vuelva a fijarlo. NO quite todo el panel trasero de la estufa.

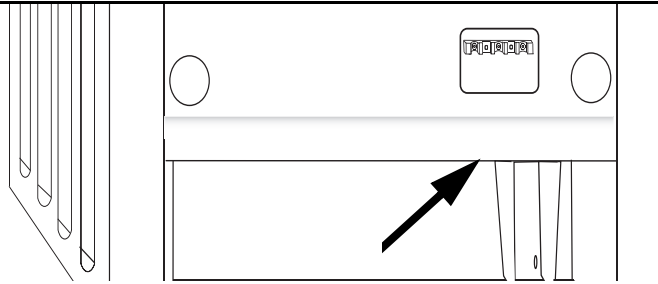


Figura 8: Agujero ciego del prensacable



Advertencia: Riesgo de una descarga eléctrica o un fuego. El bastidor está conectado a neutral a través de un cable de tierra. Se prohíbe la conexión a tierra a través del conductor neutral para instalaciones nuevas con circuito de derivación (1996 NEC), casas rodantes y vehículos recreativos, o en áreas donde los códigos locales prohíben el aterrizaje a través del conductor neutral.

Para instalaciones donde se prohíbe la conexión a tierra a través del conductor neutral, (a) desconecte el cable del conductor neutral, (b) use la terminal o el cable a tierra para aterrizar la unidad, (c) conecte la terminal o el cable neutral del circuito de derivación del modo normal (cuando el aparato está conectado mediante un cable de alimentación, use un cable con 4 hilos para este propósito).

Use sólo cables con capacidad nominal de 125/250 volts (mínima), 50 amperes y marcado "Para uso con estufas". Se debe instalar el prensacable incluido con el cable de acuerdo a las instrucciones incluidas.

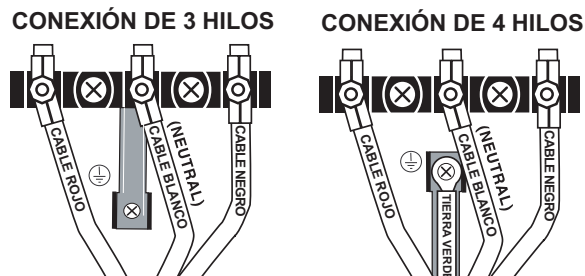


Figura 9: Requerimientos para la puesta a tierra



Advertencia: Para evitar una descarga eléctrica, no se debe cortar o quitar la espiga de tierra bajo ninguna circunstancia. Se debe enchufar en una tomacorriente correspondiente y conectar a un circuito de 240 Volts correctamente polarizado. Cuando existe alguna duda con respecto a si la tomacorriente está correctamente puesta a tierra, contrate a un eléctrico calificado para checarlo.

Conexión del cable con cuatro hilos (método recomendado)

1. Desconecte la corriente eléctrica en la caja del cortacircuito.
2. Quite la tapa del bloque de terminales para exponer el bloque de terminales

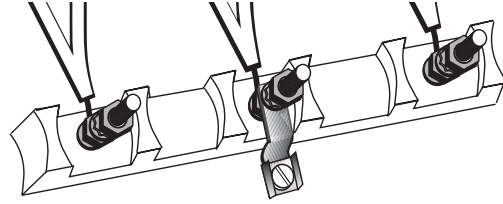


Figura 10: Conexión de 4 hilos

3. Quite la tuerca superior, la arandela de estrella y la arandela redonda de cada poste.

Nota: NO quite la última arandela redonda, la última tuerca o los cables internos.

4. Quite el tornillo del extremo inferior de la tira de conexión a tierra.
5. Quite la tira de conexión a tierra del poste central, gire de modo que el extremo ancho quede arriba y fije el extremo ancho a la estufa a través del agujero abajo de la caja de conexiones. Fije el cable verde en la parte superior de la tira de conexión a tierra. Apriete el tornillo.

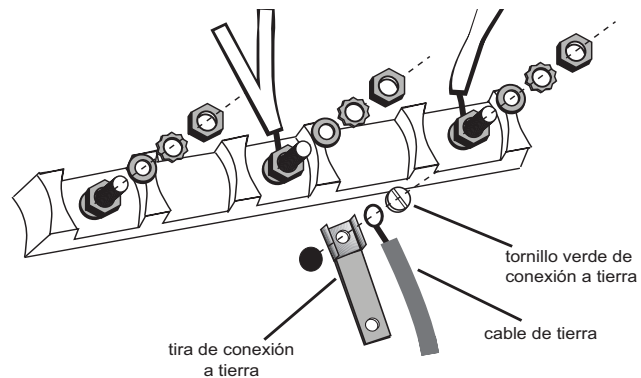


Figura 11: Conexión del cable de 4 hilos - Tira y cable de tierra

6. Fije el cable rojo, la arandela redonda, la arandela de estrella y la tuerca EN ESTE ORDEN al poste izquierdo.
7. Fije el cable blanco, la arandela redonda, la arandela de estrella y la tuerca EN ESTE ORDEN al poste central.
8. Fije el cable negro, la arandela redonda, la arandela de estrella y la tuerca EN ESTE ORDEN al poste derecho.

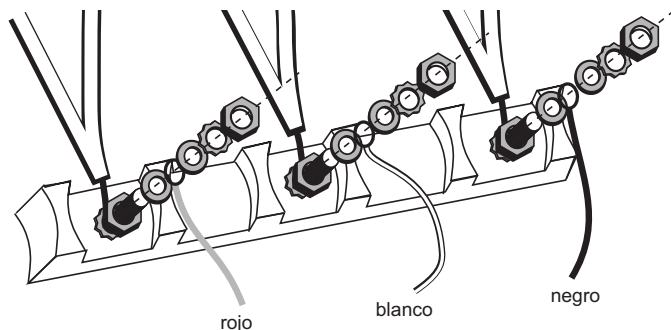


Figura 12: Conexión del cable de 4 hilos, continuación

9. Apriete todas las conexiones bien y reemplace la tapa del bloque de terminales.
10. Fije el prensacables correctamente (vea la sección anterior).

Nota: NO enchufe la estufa en este momento.

Conexión del cable con tres hilos

La conexión de cuatro hilos es el método preferido, pero donde los códigos locales permiten la puesta a tierra a través del neutral y/o donde la conversión a cuatro hilos es algo poco práctico, se puede conectar la unidad a la fuente de alimentación vía una conexión de tres hilos.

1. Desconecte la corriente eléctrica en la caja del cortacircuito.
2. Quite la tapa del bloque de terminales para exponer el bloque de terminales.

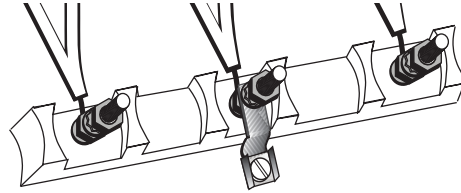


Figura 13: Bloque de terminales

3. Quite la tuerca superior, arandela de estrella y arandela redonda de cada poste.

Nota: NO quite la última arandela redonda, la última tuerca o los cables internos.

4. Fije el cable blanco, la arandela redonda, la arandela de estrella y la tuerca EN ESTE ORDEN en la parte superior de la tira a tierra sobre el poste central.
5. Fije el cable rojo, la arandela redonda, la arandela de estrella y la tuerca EN ESTE ORDEN al poste izquierdo.
6. Fije el cable negro, la arandela redonda, la arandela de estrella y la tuerca EN ESTE ORDEN al poste derecho.

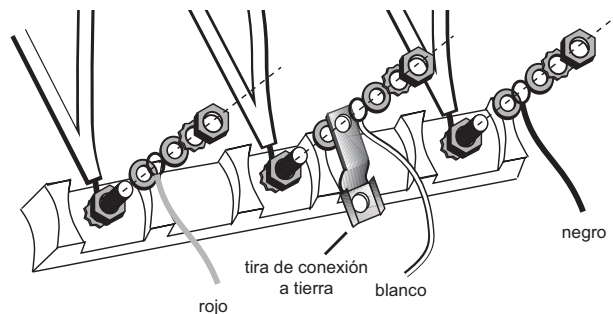


Figura 14: Conexión de 3 hilos

7. Apriete todas las conexiones bien y reemplace la tapa del bloque de terminales.

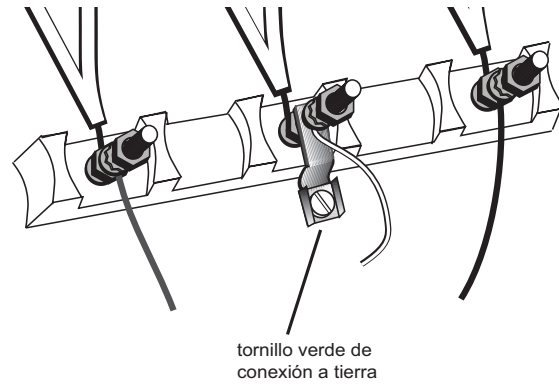


Figura 15: Conexión terminada del cable de la estufa de 3 hilos

8. Fije el prensacables correctamente. Vea 'Instalar el prensacables' en página 8 para más detalles.

Conexión eléctrica - conducto flexible

La estufa se puede conectar también vía conducto flexible. Si utilizando este método, siempre utiliza las terminales de orejeta suministradas.

Nota: En Canadá, la estufa está transportado del fábrica con el conducto flexible ya instaló. Continúe a "Terminar la instalación" en página 15.

Conexión con conducto flexible de cuatro hilos

1. Desconecte la corriente eléctrica en la caja del cortacircuito.
2. Quite la tapa del bloque de terminales para exponer el bloque de terminales.
3. Quite la tuerca superior, arandela de estrella y arandela redonda de cada poste.

Nota: NO quite la última arandela redonda, la última tuerca o los cables internos.

4. Quite el tornillo del extremo inferior de la tira de tierra.
5. Quite la tira del poste central. Deséchela.
6. Fije una terminal de orejeta (incluida con este manual) a través del agujero abajo del bloque de terminales con el tornillo de tierra.
7. Coloque una terminal de orejeta (incluida con este manual) en cada poste. Reemplace la arandela de estrella y la arandela redonda y fíjelos con un torque de 20 pulgadas-libra.
8. Pele 3/8 pulg. (9.53 mm) del aislamiento de cada extremo del cable.



Figura 16: Pelar el cable

9. Inserte el cable de tierra aislado en la terminal de orejeta abajo del bloque de terminales.

10. Inserte el extremo pelado del cable blanco en la terminal central. Fije el tornillo de apriete.

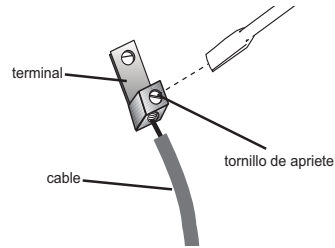


Figura 17: Fijar el cable a la terminal

11. Inserte el extremo pelado del cable rojo en la terminal izquierda. Fije el tornillo de apriete.
12. Inserte el extremo del cable negro en la terminal derecha. Fije el tornillo de apriete. Apriete cada tornillo de apriete con el torque apropiado. (Vea la tabla).
13. Fije el conducto flexible correctamente en el panel botador de la estufa y en la caja de conexiones. El cableado está ahora terminado.

Tabla 3: Niveles correctos de torque para cable de aluminio o cobre

Calibre	Torque (pulg./lbs.)	Torque (Nm)
6	35	3.95
8	25	2.82

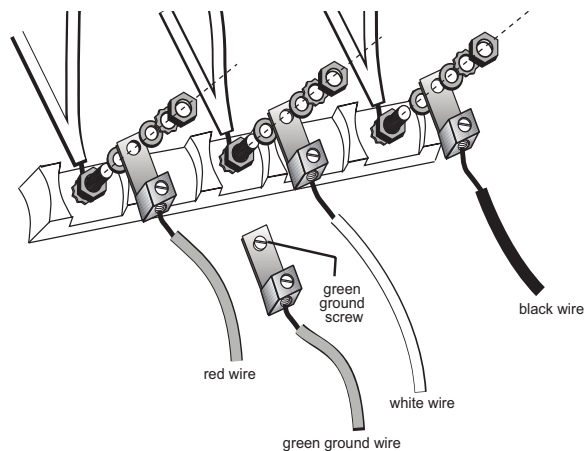


Figura 18: Conexión terminada del conducto flexible de 4 hilos

Nota: NO enchufe la estufa en este momento.

Conexión con conducto flexible de tres hilos

La conexión de cuatro hilos es el método preferido, pero donde los códigos locales permiten la puesta a tierra a través del neutral y/o donde la conversión a cuatro hilos es algo poco práctico, se puede conectar la unidad a la fuente de alimentación vía una conexión de tres hilos.

1. Desconecte la corriente eléctrica en la caja del cortacircuito.

- Quite la tapa del bloque de terminales para exponer el bloque de terminales.

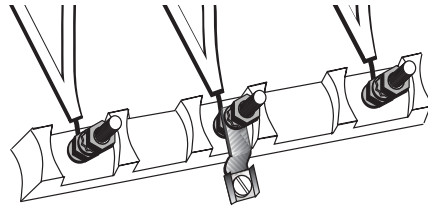


Figura 19: Bloque de terminales

- Quite la tuerca superior, arandela de estrella y arandela redonda de cada poste.

Nota: NO quite la última arandela redonda, la última tuerca o los cables internos.

- Coloque una terminal de orejeta (incluida con este manual) en cada poste. Reemplace la arandela de estrella y la arandela redonda y fíjelos con un torque de 20 pulgadas-libra.
- Pele 3/8 pulg. (9.53 mm) del aislamiento de cada extremo del cable..



Figura 20: Pelar el cable

- Inserte el extremo pelado del cable blanco en la terminal central encima de la tira de conexión a tierra. Fije el tornillo de apriete..

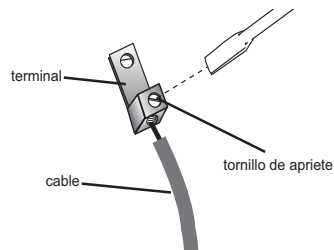


Figura 21: Fijar el cable a la terminal

- Inserte el extremo pelado del cable rojo en la terminal izquierda. Fije el tornillo de apriete.
- Inserte el extremo del cable negro en la terminal derecha. Fije el tornillo de apriete.
- Apriete cada tornillo de apriete con el torque apropiado (Vea la tabla abajo).

Tabla 4: Niveles correctos de torque para cable de aluminio o cobre

Calibre	Torque (pulg./lbs.)	Torque (Nm)
6	35	3.95
8	25	2.82

10. Fije el conducto flexible correctamente en el panel botador de la estufa y en la caja de conexiones. El cableado está ahora terminado.

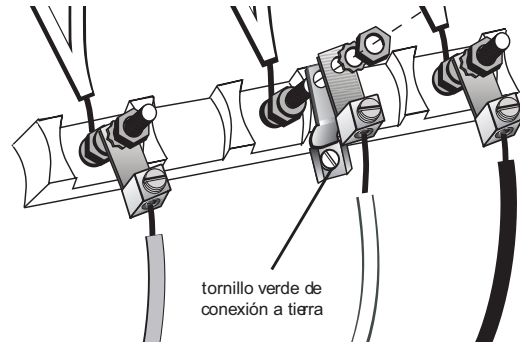


Figura 22: Conexión terminada del conducto flexible de 3 hilos

Nota: NO enchufe la estufa en este momento.

Terminar la instalación

Ajustar las patas de nivelación

1. Alinee la estufa enfrente de la abertura.
2. Mida la esquina trasera izquierda de la abertura desde el piso a la parte superior de la cubierta.
3. Mida la esquina trasera izquierda de la estufa al fondo de la moldura de la parrilla. Use una llave para ajustar la pata de nivelación hasta que la altura esté igual que la dimensión de la esquina.

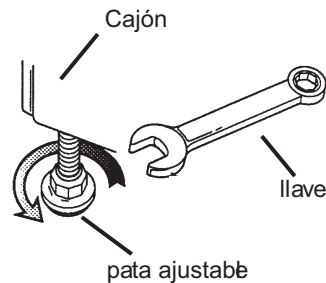


Figura 23: Ajustar los soportes de las patas delanteras

4. Haga lo mismo en la esquina trasera derecha.
5. Ajuste las patas delanteras de nivelación de modo que el fondo de la moldura de la parrilla quede $\frac{1}{2}$ " (13 mm) más alta que la superficie correspondiente de la cubierta.

Deslizar la estufa a la abertura

1. Enchufe el cable de alimentación.
2. Humedezca la cubierta y la cinta de espuma con agua jabonosa.
3. Deslice la estufa a la abertura, teniendo cuidado de no dañar las cubiertas, los pisos o la cara del cajón de la estufa. No aplique presión a la parrilla cuando deslice la estufa a su posición.

Consejo: Quite el cajón para evitar daños.

Revisar la parte trasera de la estufa para una instalación correcta

1. Cuando quede instalado correctamente, la moldura de la parrilla alrededor de la parte trasera de la estufa descansará ligeramente sobre la cubierta.
2. No debe haber ningún hueco entre la cubierta y la moldura; sin embargo, el peso de la estufa no debe descansar sobre la cubierta. Mire debajo de la est-

ufa para verificar que ambas patas descansen sólidamente en el piso. Verifique también, que la pata izquierda quede debajo del soporte antivolcadura.

Precaución: Verifique que el peso de la estufa no descansa sobre la cubierta. Esto podría dañar la cubierta y el aparato.

3. Cuando las patas traseras no descansen bien en el piso o la pata izquierda no quede debajo del soporte antivolcadura, saque la estufa, ajuste las patas y vuelva a deslizarla en su lugar.

Ajustar el frente de la estufa para una instalación correcta

1. Ajuste las patas delanteras de nivelación de tal modo que la moldura de la parrilla envuelva bien toda la cubierta.
2. Verifique que ambas patas delanteras descansen bien en el piso.

Use una niveleta para verificar que la estufa esté nivelada y desplomada.

Probar la instalación

Prender la corriente eléctrica en el cortacircuitos

Advertencia: Cuando la pantalla parpadea y emite pitidos, es posible que se invirtió la polaridad del cableado. La polaridad invertida puede dañar la estufa y crear el riesgo de una descarga eléctrica. Desconecte la corriente de inmediato en el cortacircuito y regrese al “Instale 2 tornillos a través de los orificios en la moldura y en la pared trasera de la estufa. Vea Figura 6: Tira de la moldura de la pared trasera y Figura 7: “Instalar la tira de la moldura de la pared trasera” .” en página 8.

Servicio

Antes de llamar al servicio

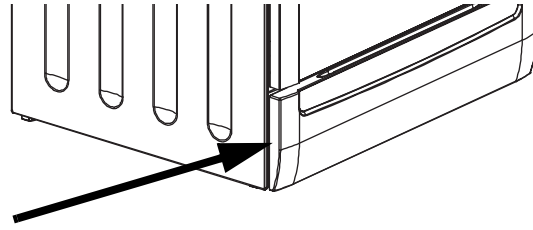
Vea el manual de uso y cuidado para información sobre cómo resolver problemas. Consulte la garantía en el manual de uso y cuidado.

Para hablar con un representante de servicio, vea la información de contacto al principio del manual. Por favor, tenga a la mano la información impresa en la placa de información de su producto cuando llame.

Placa con datos del producto

La placa con información indica el número de modelo y de serie. Consulte la placa de información en el aparato cuando solicite servicio. Se encuentra debajo del bastidor cerca del cajón.

Abra el cajón para verla.



Etiqueta de información

Figura 24: Etiqueta de información



BOSCH

5551 McFadden Avenue, Huntington Beach, CA 92649 • 800-944-2904 • www.boschappliances.com

9000135012 (No ECO) • 10086 Rev B • 03/06 • © BSH Home Appliances Corporation • Litho U. S. A.