

# PTAC COMBINATION DRAIN KIT (DK9001D) INSTALLATION INSTRUCTIONS

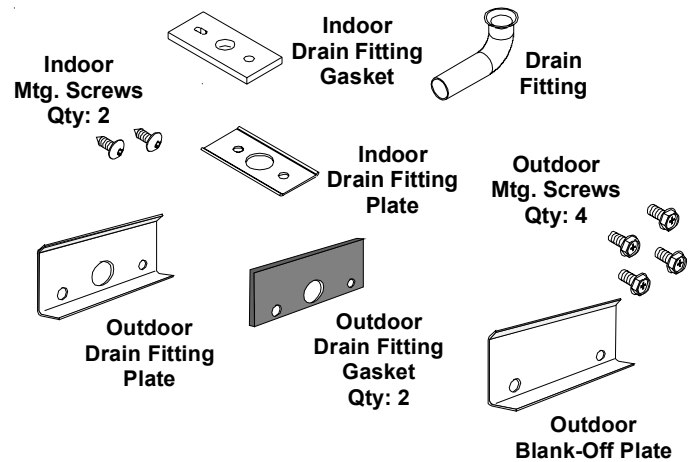
For outdoor or indoor sleeve drainage

## Description

This kit is used to control condensate from the unit. Condensate water drains from the chassis into the sleeve during normal heat pump operation and during times of high humidity when the unit is in cooling operation. The drain kit allows the condensate from the outdoor and indoor coils to be routed to a suitable area. It can be installed for either outdoor or indoor use. For outdoor use, the condensate can be drained from either the right- or left-hand side of the wall sleeve. Local codes will determine the proper condensate disposal. For indoor use, the drain components must be installed on the bottom of the wall sleeve and connected to a drain system inside the building.

**NOTE:** This drain kit serves only as a link between the unit and field-supplied condensate drain system. Installing the kit without connecting it to a drainage system will result in inadequate condensate removal, possible leakage and corrosion.

**ALGAECIDE:** Most algaecide products will cause damage to the unit basepan or coils and should not be used. Contact your sales representative for the recommended algaecide pan treatment for your unit.



Drain Kit Components

## NOTE

USE ONLY WS900B WALL SLEEVES WITH DK9001D. DO NOT INSTALL THIS DRAIN KIT ON WS900D WALL SLEEVES!

## Installation for Outdoor Use

The drain components for outdoor use must be installed before the wall sleeve condenser grille.

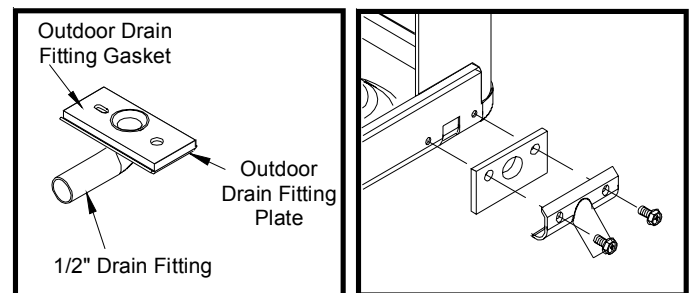
1. Remove the rear enclosure panel and the sleeve stiffener. These items can be removed from the inside of the building.
2. Insert the 1/2" drain fitting in the opening of the outdoor drain fitting gasket and plate. Secure this assembly into the holes located on the rear of the wall sleeve using two of the outdoor mounting screws provided.
3. Place the remaining outdoor gasket on the outside blank-off plate and secure the assembly to the left rear of wall sleeve with the two mounting screws provided.

*Unit chassis installed immediately*

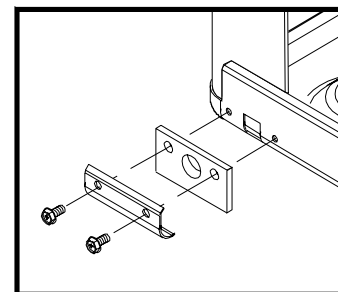
Install the condenser grille to wall sleeve with hardware provided. See condenser grille installation instructions.

*Unit chassis installed later*

Replace the rear enclosure panel in the wall sleeve to protect the inside of the building from weather damage.



Outdoor Drain Fitting

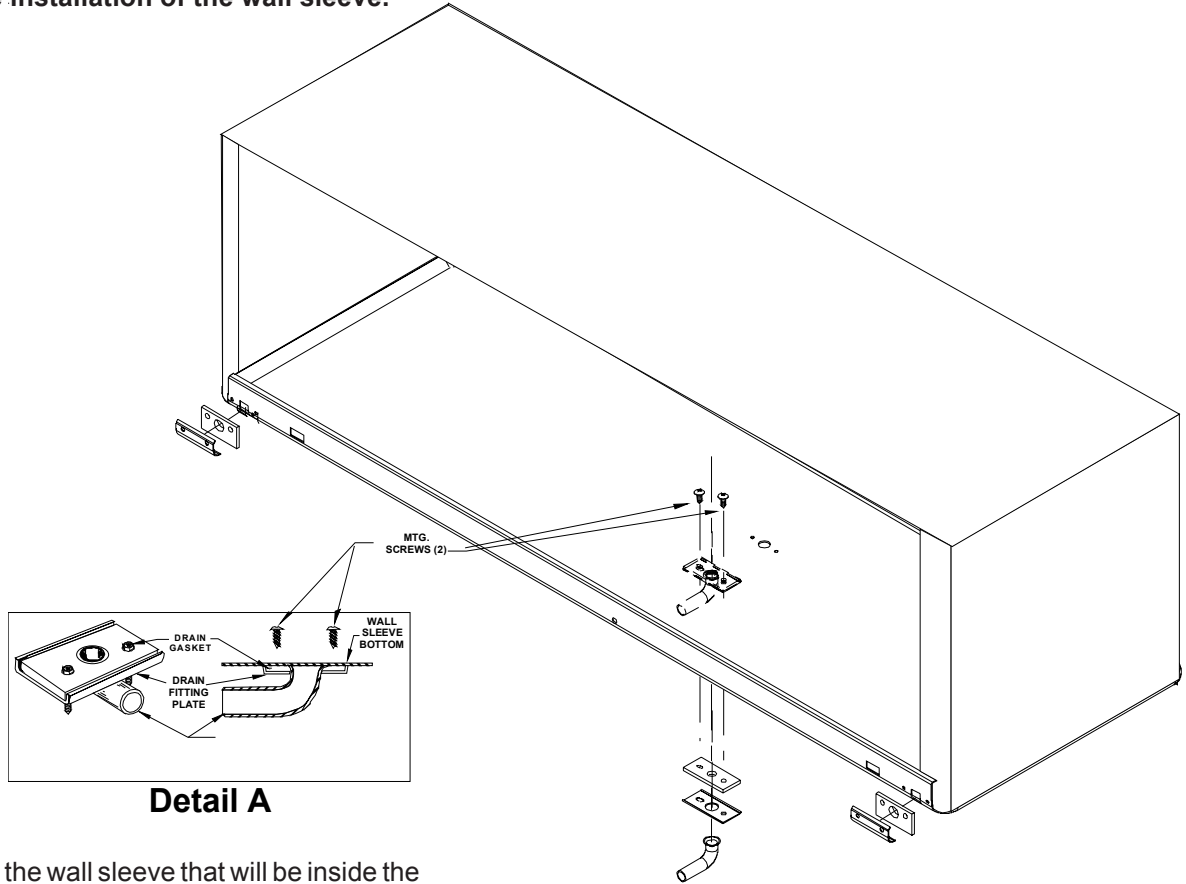


Left Blank-Off

**The installation and servicing of the equipment should be done by qualified experienced technicians.**

## Installation for Indoor Use

The components of the wall sleeve drain kit for indoor use are shown in figure below. **These components must be installed prior to the installation of the wall sleeve.**

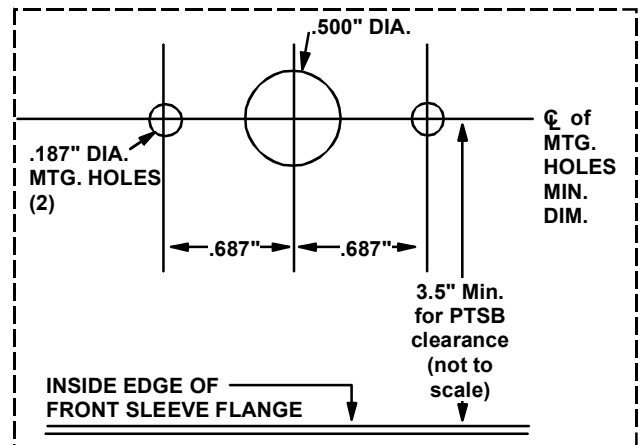


**Detail A**

1. Locate an area on the wall sleeve that will be inside the room when the sleeve is installed. If a subbase is installed, locate the kit a minimum of 3 1/2" from the front flange of the wall sleeve. This clearance will provide adequate clearance for the subbase.
2. Cutout the template shown to the right. Using this template, locate and drill the drain kit holes as close to the outside wall as possible.
3. Using detail A (above) as a guide, assemble the drain gasket, drain fitting plate, and indoor drain fitting together. Install the assembly into the drilled holes and secure using the two indoor mounting screws provided. The screws must be inserted **INSIDE** the wall sleeve and **TOP** driven down into the drain fitting plate. Ensure drain tube is not restricted. Cover the two screw heads with a good quality outdoor caulking (not supplied) for additional corrosion protection.

**NOTE:** If the drain fitting is not immediately connected to an indoor drainage system after the wall sleeve installation, plug the hole with cork (not included) to prevent indoor water damage in case it rains.

4. Install a 1/2" ID tube or hose (not included) on the drain fitting and interconnect it to the drain system inside of the building. Ensure that there are no kinks or traps in tube or hose. Kinks or traps can cause improper drainage.
5. Install the two drain blank-off plates and outdoor drain gaskets on the outdoor portion of the wall sleeve. These components can be installed after the sleeve is secured in the wall opening just prior to the installation of the condenser grille and chassis.



**Template**

*Due to policy of continual product improvement, the right is reserved to change specifications and design without notice.*