



**Built-In Model 650
Over-and-Under**

One of our most popular units, the Model 650 offers large refrigerated storage, plus the convenience of a handy freezer drawer with an automatic ice maker. The Sub-Zero dual refrigeration system assures superior food preservation and no odor transfer. Model 650 is available in the framed, overlay and stainless steel design applications and in three stainless steel finishes.



Framed



Overlay

Features

- Framed, overlay and stainless steel design applications
- Stainless steel design available in classic, platinum and carbon finishes
- Energy Star qualified
- Dual refrigeration system
- Electronic digital controls
- Bright interior lighting
- Adjustable, spill-proof glass shelves and adjustable door shelves
- High-humidity crisper drawer with removable divider
- Door alarm
- Automatic ice maker
- Front venting allows unit to be completely built in and serviced from the front

Model Options

Model Options	650/F	650/O	650/S	650/P	650/B
Design/Finish	Framed	Overlay	Classic	Platinum	Carbon
Louvered Grille	■				
Panel Grille – Accepts Decorative Inserts		■			
Heavy-Duty Stainless Steel Grille			■	■	■

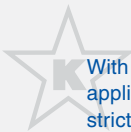
Interior Features

- **Refrigerator**
 - 3 Adjustable Glass Shelves
 - 1 Stationary Glass Shelf
 - High Humidity Compartment with Dividers
 - Adjustable Roll-Out Deli Basket
 - 2 Adjustable Door Shelves
 - Adjustable Dairy Compartment
 - Egg Container
- **Freezer**
 - Full-Extension Roll-Out Freezer Drawer
 - Two-Tier Wire Storage Baskets
 - Automatic Ice Maker

Accessories

- Louvered, panel and stainless steel (classic, platinum and carbon) grilles in 1" height increments from 10" to 15"
- Front and grille panels for framed design (white and classic stainless steel)
- Side panels in white and classic stainless steel
- Extended full-length framed handles
- Stainless steel (classic, platinum and carbon) tubular handles for overlay design
- Polished chrome handles for overlay design
- Gallon door shelf
- Dozen egg container with lid

Accessories are available through your Sub-Zero dealer. To obtain local dealer information, visit the Locator section of our website, subzero.com.



With the installation of a harness kit, this appliance is certified by Star-K to meet strict religious regulations in conjunction with specific instructions found on www.star-k.org.



Classic



Platinum

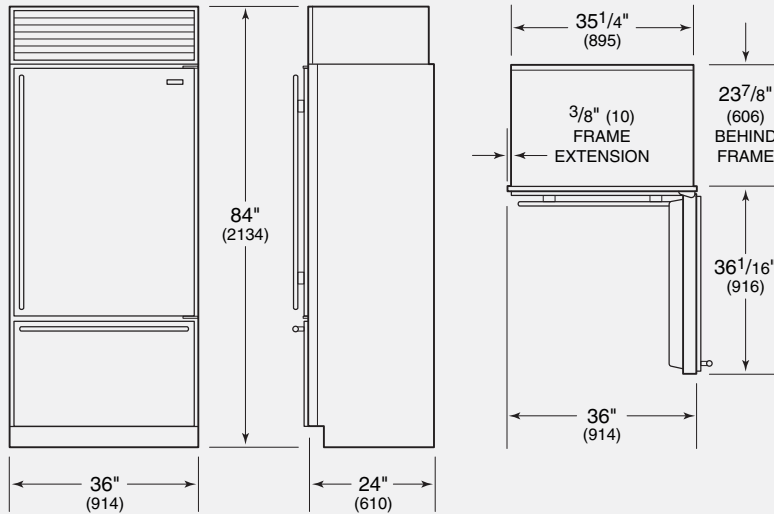


Carbon



**Built-In Model 650
Over-and-Under**

Overall Dimensions



Unit dimensions may vary by $\pm 1/8"$.

Specifications

Overall Width	36"
Overall Height (with standard 11" grille)	84"
Overall Depth	24"
Door Swing Clearance	36 1/16"
Refrigerator Capacity	15.7 cu ft
Freezer Capacity	4.9 cu ft
Opening Width	35 1/2"
Opening Height	83 3/4"
Minimum Height Required	83"
Opening Depth	24"
Electrical Requirements	115 V AC, 60 Hz 15 amp dedicated circuit
Plumbing Requirements	1/4" OD copper line 20-100 psi
Annual Energy Usage	\$44**
Shipping Weight	Framed – 482 lbs Overlay – 482 lbs Stainless Steel – 515 lbs

*Height with standard 11" grille.

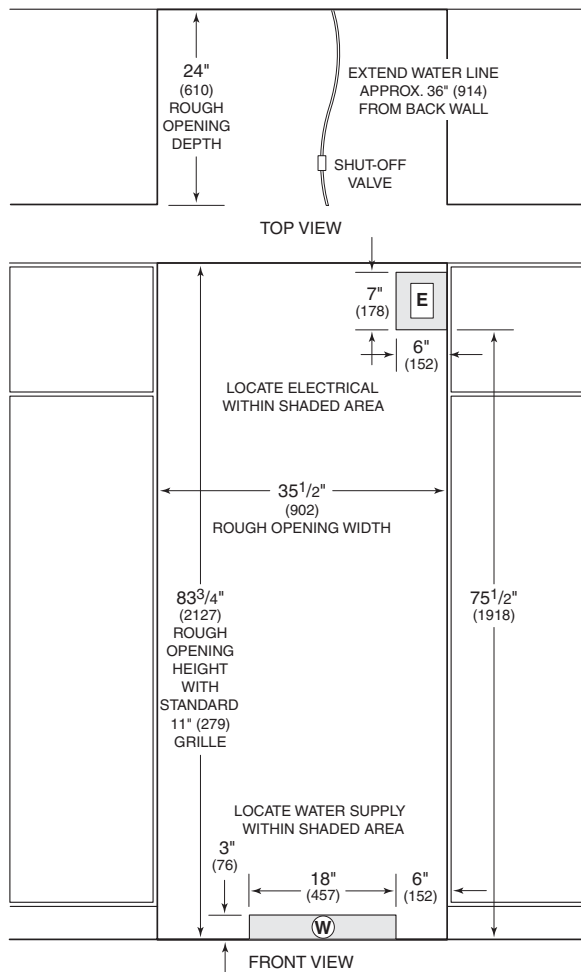
**Based on 9.06 cents per kilowatt hour.

Installation Notes

For framed and overlay models, you will be adding door panels for a custom look. Overlay models also allow you to match surrounding cabinetry hardware and the panel grille accepts custom panel inserts.

Complete installation specifications, including panel sizes, can be found on our website, subzero.com.

Installation Specifications



Dimensions in parentheses are in millimeters unless otherwise specified.