

BUILT-IN REFRIGERATION



INSTALLATION INSTRUCTIONS





CONTENTS

Installation Recommendations	3
Installation Specifications	4
Installation Instructions	8
Framed Panel Installation	12
Overlay Panel Installation	16
Completing the Installation	20
Service Information	23

*Specifications are subject to change without notice.
Check our website, subzero.com, for the most
up-to-date specifications.*

As you follow these instructions, you will notice **WARNING** and **CAUTION** symbols. This blocked information is important for the safe and efficient installation of Sub-Zero equipment. There are two types of potential hazards that may occur during installation.

⚠ CAUTION

signals a situation where minor injury or product damage may occur if you do not follow instructions.

⚠ WARNING

states a hazard that may cause serious injury or death if precautions are not followed.

Another footnote we would like to identify is **IMPORTANT NOTE**: This highlights information that is especially relevant to a problem-free installation.



INSTALLATION RECOMMENDATIONS

The importance of the installation of the Sub-Zero Built-In unit cannot be overemphasized. Installation should be done by a qualified installer.

Before you begin the installation process, it is recommended that you read this entire Installation Instructions book. There are key details that you should take special care to observe during the installation. By reading these instructions carefully, you will make the installation process easier, problem-free and, most importantly, safe.

Any questions or problems about the installation should be directed to your Sub-Zero dealer or the Sub-Zero Customer Service Department at 800-222-7820 or e-mail customerservice@subzero.com. You can also visit our website at subzero.com.

TOOLS AND MATERIALS REQUIRED

The following is a list of tools and materials that should be available for proper installation.

- Phillips screwdriver set
- Slotted screwdriver set
- Torx drive screwdriver set
- 4' (1.2 m) of 1/4" copper tubing and saddle valve for the water line—part #4200880 (do not use self-piercing valves)
- Copper tubing cutter
- Level—2' (.6 m) and 4' (1.2 m) recommended
- Appliance Dolly able to support 700 lbs (317 kg) and adequate manpower to handle the weight of the unit
- Various sized pliers
- Wrench set
- Allen wrench set
- 5/16" hex bolt nut driver
- Crescent wrenches
- Cordless drill and assorted drill bits
- Masonite, plywood, 1/8" pressed fiberboard, cardboard or other suitable material to protect finished flooring
- Appropriate materials to cover and protect the home and its furnishings during installation



INSTALLATION SPECIFICATIONS

Make sure that the actual equipment that was shipped to you matches the design you are expecting to install. The Sub-Zero Built-In line offers the following design alternatives—framed, overlay and stainless steel models.

Each of these design options has specific installation requirements, which means it is vital that the unit match your planning and space needs. Before you begin the installation process, check the exact model number you need against the model number on the shipping carton.

If the unit you receive does not match your requirements, contact your Sub-Zero dealer.

SITE PREPARATION

Make sure that the finished rough opening where the Built-In unit is to be installed is properly prepared. Refer to the Overall Dimensions and Installation Specifications for your specific model on the following pages. These specifications are identical for each of the design alternatives—whether your model is framed, overlay or stainless steel. Make sure that the rough opening dimensions, door swing clearance, electrical service and plumbing are correct for the model you are about to install.

If you are installing Built-In units side by side, a separating filler strip is recommended. Add the filler strip width to the finished rough opening dimension. Complete the installation with the Anchoring Kit (part #4200900), see page 21.

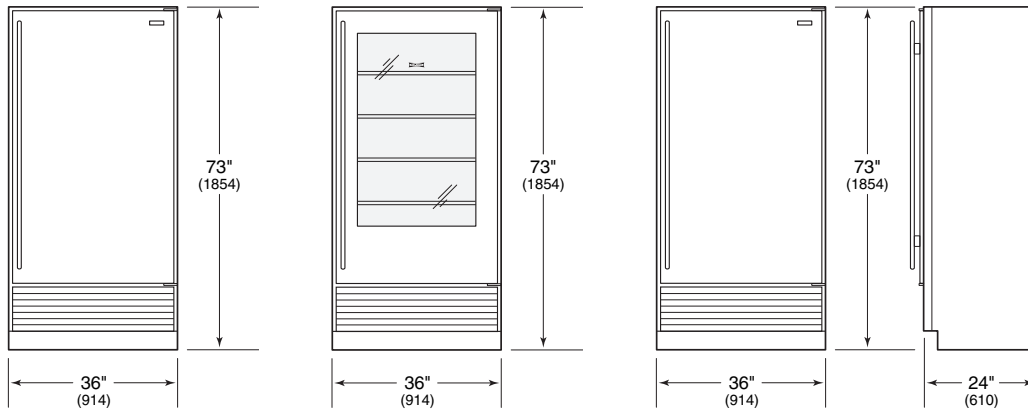
IMPORTANT NOTE: To operate properly, the door must open a minimum of 90°. Use a minimum 3" (76) filler in corner installations to assure a 90° door opening. Allow enough clearance in front of the unit for full door swing.

IMPORTANT NOTE: Make sure the floor under the unit is level with the surrounding finished floor.



OVERALL DIMENSIONS

All Refrigerator / All Freezer Models



**ALL REFRIGERATOR
ALL FREEZER**

Model 601R
All Refrigerator

Model 601RG
All Refrigerator
with Glass Door

Model 601F
All Freezer

Model 601R
All Refrigerator

Width **36" (914)**
Height **73" (1854)**
Depth **24" (610)**

Model 601RG
All Refrigerator
with Glass Door

Width **36" (914)**
Height **73" (1854)**
Depth **24" (610)**

Model 601F
All Freezer

Width **36" (914)**
Height **73" (1854)**
Depth **24" (610)**

Illustrations shown in stainless steel design.

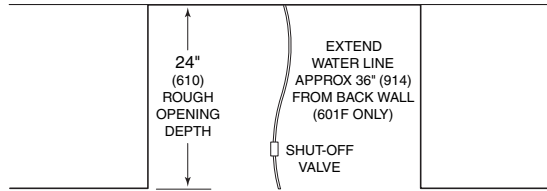
INSTALLATION SPECIFICATIONS

All Refrigerator / All Freezer Models

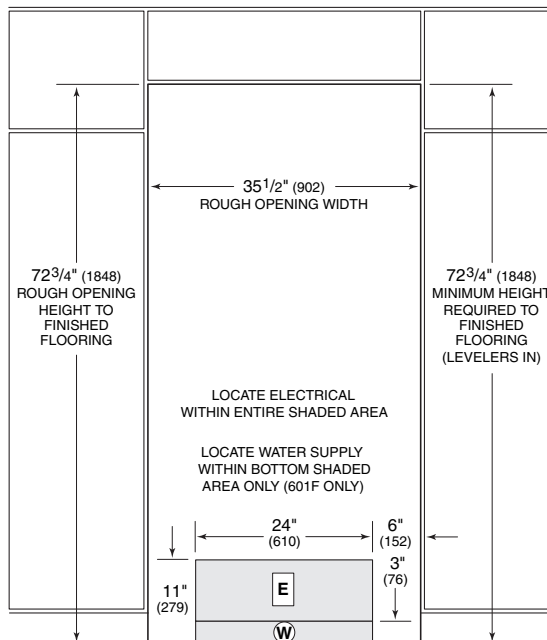
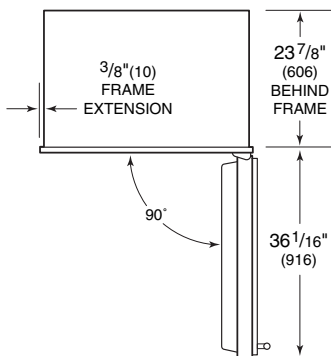
Models 601R and 601RG will not require the water line connection.

Dimensions are for finished rough openings.

Door swing clearances are based on stainless steel door and handle dimensions.



TOP VIEW



FRONT VIEW

Dimensions in parentheses are in millimeters unless otherwise specified.



BUILT-IN INSTALLATION SPECIFICATIONS

OVERALL DIMENSIONS

Over-and-Under Models

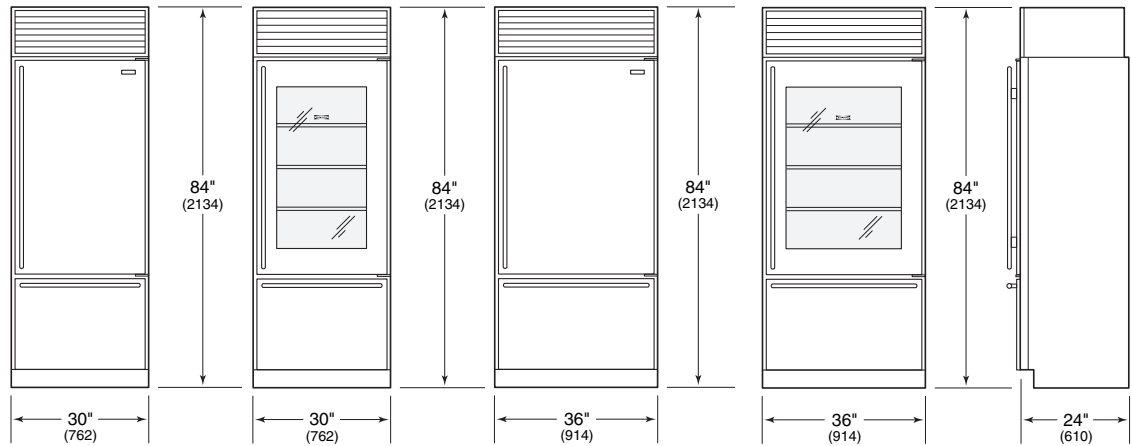
OVER-AND-UNDER

Model 611

Model 611G
with Glass Door

Model 650

Model 650G
with Glass Door



Model 611

Width **30" (762)**
Height **84" (2138)**
Depth **24" (610)**

Model 611G
with Glass Door

Width **30" (762)**
Height **84" (2138)**
Depth **24" (610)**

Model 650

Width **36" (914)**
Height **84" (2138)**
Depth **24" (610)**

Model 650G
with Glass Door

Width **36" (914)**
Height **84" (2138)**
Depth **24" (610)**

Illustrations shown in stainless steel design.

INSTALLATION SPECIFICATIONS

Over-and-Under Models

Model 611

- A) Rough Opening Width** 29 1/2" (749)
- B) Min Door Clearance** 30 1/8" (765)

Model 611G

- A) Rough Opening Width** 29 1/2" (749)
- B) Min Door Clearance** 30 1/8" (765)

Model 650

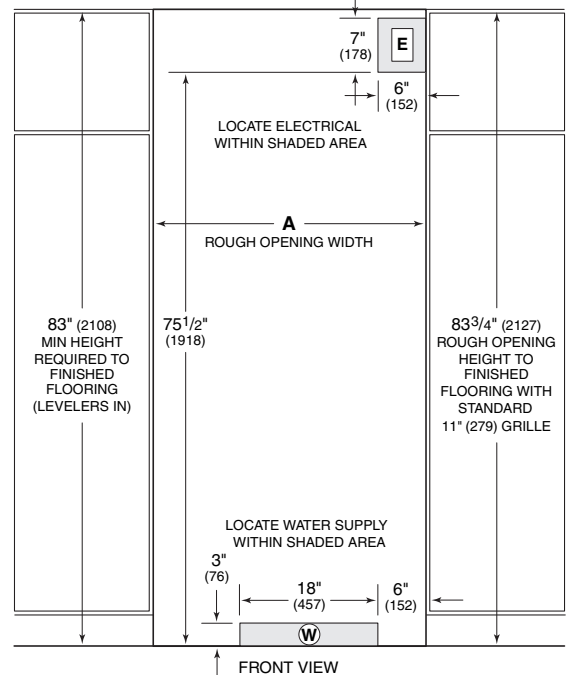
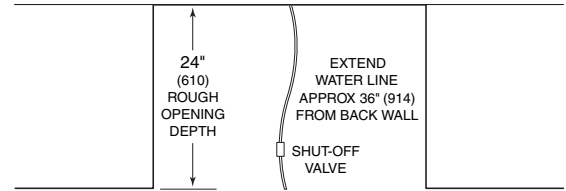
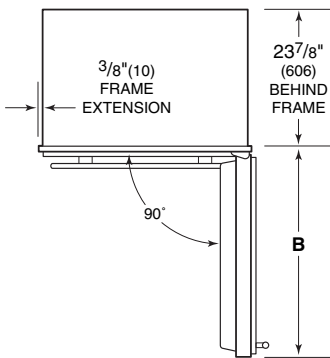
- A) Rough Opening Width** 35 1/2" (902)
- B) Min Door Clearance** 36 1/16" (916)

Model 650G

- A) Rough Opening Width** 35 1/2" (902)
- B) Min Door Clearance** 36 1/16" (916)

Dimensions are for finished rough openings.

Door swing clearances are based on stainless steel door and handle dimensions.

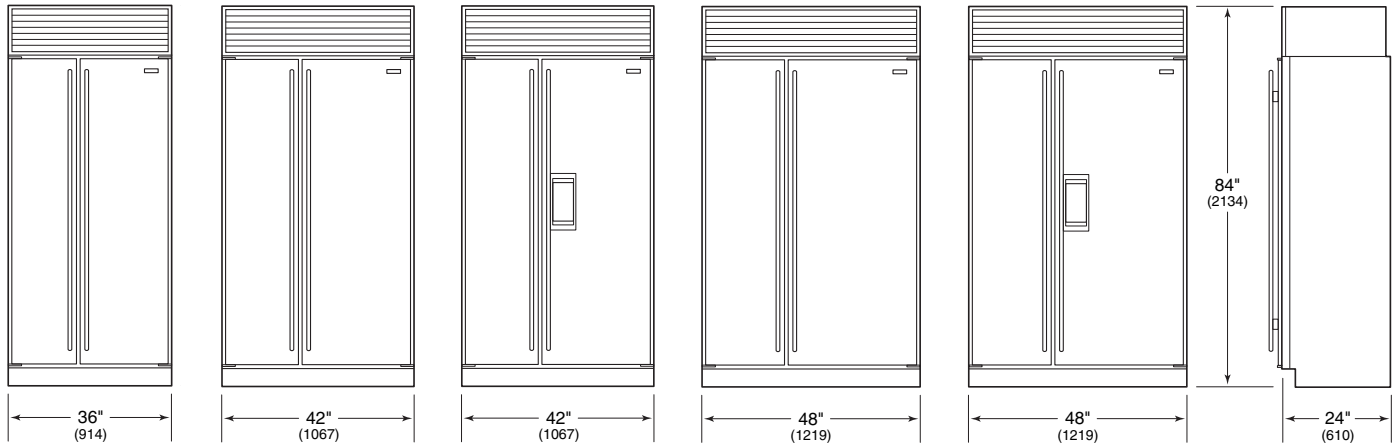


BUILT-IN INSTALLATION SPECIFICATIONS



OVERALL DIMENSIONS

Side-by-Side Models



Model 661

Width **36"** (914)
Height **84"** (2138)
Depth **24"** (610)

Model 642

Width **42"** (1067)
Height **84"** (2138)
Depth **24"** (610)

Model 685

Ice / Water Dispensing

Width **42"** (1067)
Height **84"** (2138)
Depth **24"** (610)

Model 632

Width **48"** (1219)
Height **84"** (2138)
Depth **24"** (610)

Model 695

Ice / Water Dispensing

Width **48"** (1219)
Height **84"** (2138)
Depth **24"** (610)

Illustrations shown in stainless steel design.

INSTALLATION SPECIFICATIONS

Side-by-Side Models

Model 661

A) Rough Opening Width **35 1/2"** (902)
B) Min Door Clearance **20 3/4"** (527)

Model 642

A) Rough Opening Width **41 1/2"** (1054)
B) Min Door Clearance **25 9/16"** (649)

Model 685

A) Rough Opening Width **41 1/2"** (1054)
B) Min Door Clearance **25 9/16"** (649)

Model 632

A) Rough Opening Width **47 1/2"** (1207)
B) Min Door Clearance **29 1/4"** (743)

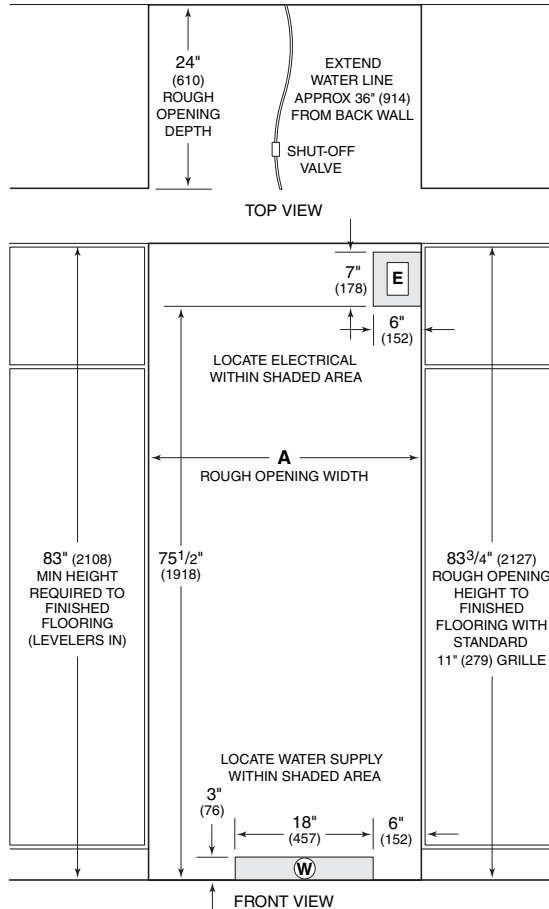
Model 695

A) Rough Opening Width **47 1/2"** (1207)
B) Min Door Clearance **29 1/4"** (743)

Dimensions are for finished rough openings.

Door swing clearances are based on stainless steel door and handle dimensions.

Dimensions in parentheses are in millimeters unless otherwise specified.



SIDE-BY-SIDE

Model 661

Model 642

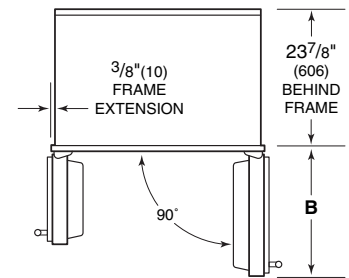
Model 685

Ice / Water Dispensing

Model 632

Model 695

Ice / Water Dispensing





ELECTRICAL REQUIREMENTS

A 115 V AC, 60 Hz, 15 amp circuit breaker and electrical supply are required. A separate circuit, servicing only this appliance, is required.

All Sub-Zero Built-In models are equipped with a power supply cord with a 3-prong grounding plug, which must be plugged into a mating 3-prong grounding-type wall receptacle. Follow the National Electrical Code and local codes and ordinances when installing the receptacle. For location of the electrical supply, refer to the Installation Specifications illustration for your specific model on pages 5–7.

IMPORTANT NOTE: A ground fault circuit interrupter (GFCI) is not recommended and may cause interruption of operation.

⚠ WARNING

Do not use an extension cord or two-prong adapter. Electrical ground is required on this appliance. Do not remove the power supply cord ground prong.

⚠ CAUTION

The outlet must be checked by a qualified electrician to be sure that it is wired with the correct polarity. Verify that the outlet provides 115 volts and is properly grounded.

PLUMBING REQUIREMENTS

For Built-In models with an automatic ice maker, rough in the water supply line. Connect a 1/4" OD copper line to the house supply. Use an easily accessible shut-off valve between the water supply and the unit. This valve is usually placed about 6" (152) from the compression fitting. Do not use self-piercing valves. A saddle valve kit (part # 4200880) is available from your Sub-Zero dealer.

The water line should be routed up through the floor within 1/2" (13) from the back wall and no higher than 3" (76) off the floor. If the water supply is brought in from behind the unit, route the water line through the back wall, no more than 3" (76) from the floor. Regardless of the routing, allow 3' (1 m) of excess copper tubing to remain outside the wall or floor for easy connection to the unit. For location of the water supply, refer to the Installation Specifications illustration for your specific model on pages 5–7.

A line filter is required when water conditions have a high sediment content. The ice maker operates on water pressure of 20 psi (1.4 bar) to 100 psi (6.9 bar).

A reverse osmosis system can be used, provided there is a consistent water pressure of 20 psi (1.4 bar) to 100 psi (6.9 bar) supplied to the water valve at all times.

IMPORTANT NOTE: In some cases a reverse osmosis water filter system may not be able to maintain the minimum water pressure consistently.

Good water is important for high quality ice. It is not recommended that the ice maker be connected to a softened water supply. Water softener chemicals, such as salt from a malfunctioning softener, can damage the ice maker mold and lead to poor ice quality. If a softened water supply cannot be avoided, it is important that the water softener be well maintained and operating properly.

Dimensions in parentheses are in millimeters unless otherwise specified.



UNPACK THE UNIT

Uncrate the unit, remove its wood base and discard the shipping bolts that hold the wood base to the bottom of the unit. Remove all packing materials and tape.

IMPORTANT NOTE: Do not discard the kickplate, anti-tip blocking kit and hardware. These items will be needed for installation.

Retract the front leveling legs to allow you to move the unit more easily during installation. You will extend the leveling legs when the unit is in its final position to reduce the possibility of the unit tipping forward.

Remove the drain pan from the base of the unit to avoid damage to the drain pan, and allow for proper placement of the appliance dolly.

⚠ WARNING

Keep door(s) and drawer taped closed while moving unit.

GRILLE REMOVAL

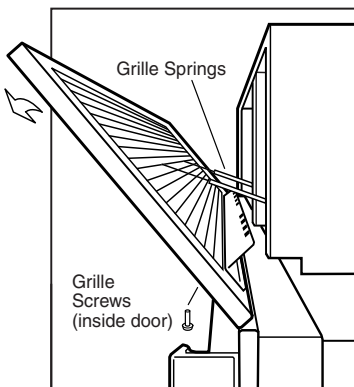
In order to prevent damage to the grille and to access the power cord, the top grille assembly should be removed prior to moving the unit.

Models 611, 611G, 650, 650G, 661, 642, 685, 632 and 695—framed and stainless steel: Remove three counter-sunk grille screws at the bottom of the grille and cut the red nylon shipping strap. NOTE: Grille screws are accessed with door(s) open. Then tilt the grille forward and release the springs from behind the grille. Refer to illustration 1 below.

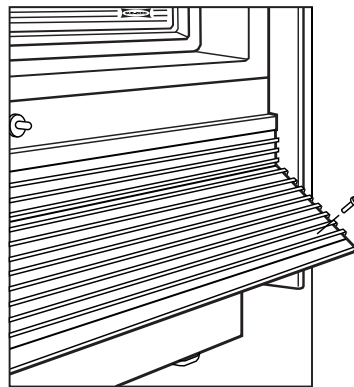
Models 601R, 601RG and 601F—framed and overlay: Remove the two black screws in the lowest louver of the grille. Tilt the bottom of the grille out and away. It will release from the top of the grille. Refer to illustration 2 below.

Models 601R, 601RG and 601F—stainless steel: The lower grille snaps out by pulling forward on the bottom of the grille.

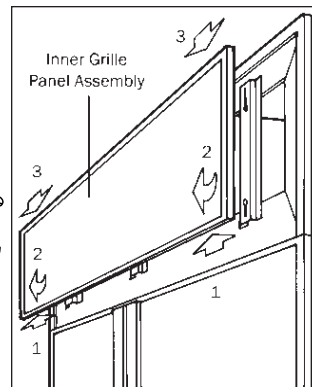
Models 611, 611G, 650, 650G, 661, 642, 685, 632 and 695—overlay: First, remove the inner grille panel assembly as shown in illustration 3 below. Lift up, then pull out at the bottom, pull the top section down and out of the top key slot. Remove the five mounting screws that hold the outer grille panel assembly to the top compartment. Refer to illustration 4.



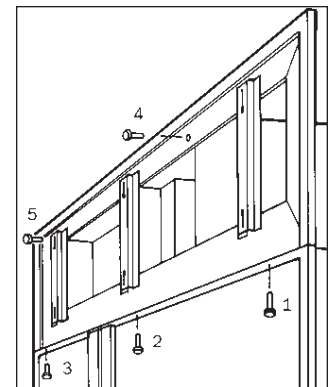
Illus. 1



Illus. 2



Illus. 3



Illus. 4



ANTI-TIP BLOCKING KIT

⚠ WARNING

To prevent the unit from tipping forward and provide a stable installation, the unit must be secured in place with an anti-tip blocking device.

If there is a solid soffit above the unit with clearance between the unit and the soffit of 1" (25) or less, you won't need to block the unit. Refer to illustration 5 below. For installations with clearances of more than 1" (25), you must block the unit with the anti-tip blocking kit (wood block and hardware) provided.

Locate and mark two wall studs against the wall where the Built-in unit will be installed. Then locate the proper height to clear the unit. The space between the unit top and the bottom of the wood block must not be more than 1/4" (6).

Position the wood block over the unit and use the screws and 'L' brackets to lock it in place. Make sure the screws extend a minimum of 7/8" (22) into each of the two wall studs. The wood block must be positioned securely and must extend at least 3" (76) over the unit. Refer to illustration 6 below.

POSITION THE UNIT

⚠ CAUTION

Protect any finished flooring before moving the unit into place. All Built-In models are equipped with rollers, so you can easily move the unit into place.

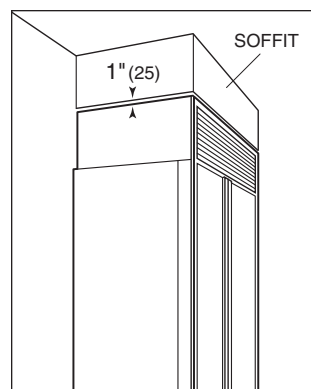
Shut off power to the wall outlet. Plug the power supply cord into the 15 amp grounded outlet and roll the unit into position under the wood block or soffit. Using the front and rear leveling legs, raise the unit until it makes contact with the wood block. See Level the Unit, page 11.

IMPORTANT NOTE: If possible, keep door(s) closed on the unit until it is properly anchored.

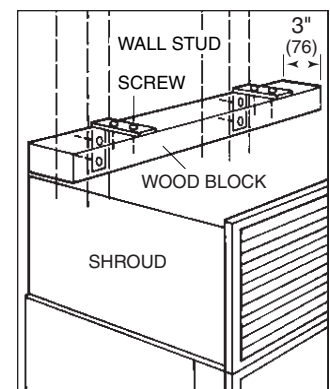
IMPORTANT NOTE: If for any reason the unit has been laid on its back or side, you must allow the unit to stand upright for a minimum of 24 hours before connecting power.

⚠ WARNING

To reduce the possibility of the unit tipping forward, the front leveling legs must be in contact with the floor.



Illus. 5



Illus. 6



WATER LINE CONNECTION

To connect the ice maker water line, remove the 1/4" compression fitting from its plastic bag and join the water supply line to the solenoid valve. Refer to illustration 7 below. **NOTE:** The water valve can be removed from the mounting bracket to gain easier access to water connection. Be sure to purge the line before making the final connection.

IMPORTANT NOTE: Turn on the water supply and check all fittings for leaks. Make certain the electrical harness is attached to the solenoid.

In areas with water of high mineral content, the use of an in-line water filter is recommended. Make sure the filter is positioned and accessible for replacement when necessary.

IMPORTANT NOTE: Let your customer know that the ice maker will not fill with water immediately, and that the first few batches of ice produced should be discarded. Allow 24 hours for proper ice production.

LEVEL THE UNIT

Once the unit is in position, extend the front leveling legs down by turning the legs counter-clockwise and adjust the height. The rear height adjustment can be made from the front of the base. Turn the 5/16" hex bolt clockwise to raise the unit or counterclockwise to lower it. Refer to illustration 8 below. When the unit is leveled properly, or squared off, door adjustments are less likely to be necessary.

IMPORTANT NOTE: Be sure to reference leveling of the unit to the floor and not to surrounding cabinetry. This could affect the operation of the unit, such as door(s) not closing properly.

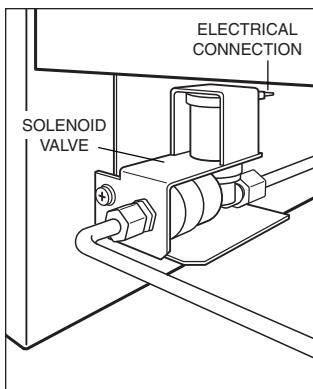
For proper alignment, place the level on the top and side of the unit's main frame for leveling reference points.

After the unit has been leveled, make sure the drain pan is installed properly and install the kickplate. Refer to illustration 9 below.

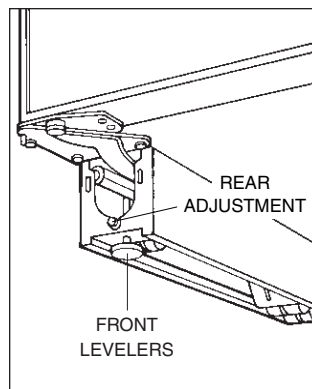
IMPORTANT NOTE: The kickplate must be removed for servicing. The floor cannot interfere with removal. Refer to label mounted on kickplate support for height clearance.

Replace the grille by reversing the procedure outlined on page 9. If you're using a panel grille, see Overlay Grille Panels on page 17.

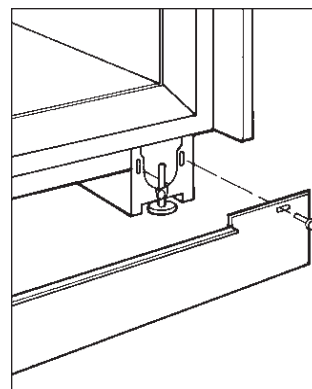
Turn power back on to the wall outlet.



Illus. 7



Illus. 8



Illus. 9

Dimensions in parentheses are in millimeters unless otherwise specified.



FRAMED PANEL INSTALLATION

PANEL INSTALLATION

Before you begin installing panels, refer to the Panel Specifications for framed or overlay models and be sure you are working with the panel design called for in your installation. If your customer has chosen the stainless steel design, the unit has been shipped complete with a finished stainless steel look. It will not be necessary to install panels or handle hardware. In your final preparation for stainless steel units, use a stainless steel cleaner to remove any marks. Abrasive cleaners should **not** be used, as they may scratch the surface.

If your customer has ordered either a framed or overlay model, you will be installing panels to give the unit the custom Sub-Zero look.

FRAMED PANELS

Refer to the Framed Panel Specifications on pages 14–15 for panel dimensions.

FRAMED PANELS

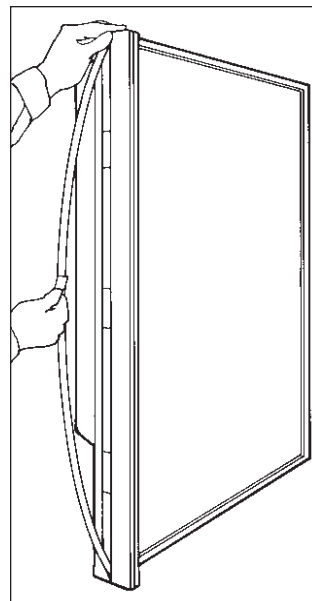
If your customer has chosen a framed design application, make sure that the panels you are about to install match dimensions listed in the Framed Panel Specifications on pages 14–15.

If the thickness of the custom panel is less than a $\frac{1}{4}$ " (6), back it up with a sheet of shim material to build the total thickness to a $\frac{1}{4}$ " (6). If the panel is thicker than a $\frac{1}{4}$ " (6), rout an edge around the panel to get a proper fit.

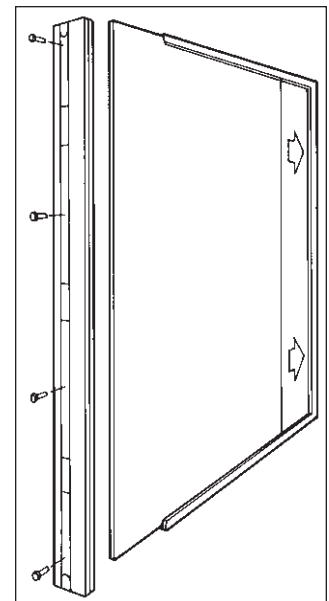
IMPORTANT NOTE: The weight of each panel cannot exceed 50 lbs (23 kg).

IMPORTANT NOTE: On all Built-In models, routing, recessing or optional extended handles may be required on raised panels for finger clearance under the handle. See Raised Panels, page 13.

To install framed panels, the door handle(s) must be removed. The handle screws are hidden by a magnet backed trim molding. Remove the molding using a piece of tape to pull it away from the handle and expose the handle screws. The molding will bend at the center so that you can remove it. Refer to illustration 10 below.



Illus. 10



Illus. 11



MODELS 685 AND 695 **FRAMED KITS**

With a Phillips screwdriver, remove the handles from the freezer and refrigerator doors. Slide the panel into the frame on the door. With the panel in position, replace the handles. Be sure the panel is inserted completely into the channel for proper fit and alignment. Refer to illustration 11 on page 12.

Replace the trim molding by inserting the top, then the bottom into the handle channel. Release the middle and set the magnets.

RAISED PANELS

You may have to rout, recess or use optional extended handles with some door panel designs to allow for finger clearance. This is particularly true if your unit has raised panels greater than 1/4" (6) total thickness.

IMPORTANT NOTE: The weight of each panel cannot exceed 50 lbs (23 kg).

Check the location of offset when you're using specific routing for the grip area only. Refer to the Built-In section of the Sub-Zero Design Guide for a full-scale template of the standard full-length handle and panel. Use this grid template to lay out your panel design for finger clearance when standard full-length handles are used.

PARTIAL FRAMED ACCESSORY KIT

If you choose not to use custom wood panels above or below the glasswell for the Model 685 or 695 framed application, a stainless steel insert panel will be provided with the partial framed accessory kit. This accessory kit (part #FRAMPAR), available through your Sub-Zero dealer, includes molding and a stainless steel insert panel for above and below the glasswell on a framed unit.

Detailed installation instructions are included with the partial framed accessory kit.

FRAMED RETROFIT ACCESSORY KIT

With the framed retrofit accessory kit, existing Model 680 or 690 door panels can be used on a new Model 685 or 695 framed unit. This accessory kit (part #FRAMRET), available through your Sub-Zero dealer, includes moldings and stainless steel insert panels to accommodate existing Model 680 or 690 framed door panels.

Detailed installation instructions are included with the framed retrofit accessory kit.

PANEL DESIGN

Additional panel design information can be found in the Sub-Zero Design Guide. Check our website at subzero.com.

FRAMED PANEL SPECIFICATIONS

FRAMED DOOR PANELS

All Refrigerator / All Freezer Framed (F) Models

Model 601R	W	H
Refrigerator Framed Panel	34¹/₈" (867)	58¹⁵/₁₆" (1497)
Raised Panel Handle Recess Location - Refrigerator Panel	A) 29¹⁵/₃₂" (749)	

Model 601RG	W	H
Refrigerator Framed Panel	34¹/₈" (867)	58¹⁵/₁₆" (1497)
Raised Panel Handle Recess Location - Refrigerator Panel	A) 29¹⁵/₃₂" (749)	
Window Cut-out Dimensions	25³/₈" (645)	41³/₁₆" (1046)
Window Cut-out Location	C) 4³/₈" (111)	D) 13³/₈" (340)

Model 601F	W	H
Freezer Framed Panel	34¹/₈" (867)	58¹⁵/₁₆" (1497)
Raised Panel Handle Recess Location - Freezer Panel	A) 29¹⁵/₃₂" (749)	

IMPORTANT NOTE: Panel specifications are for Built-In framed (F) models. Panel specifications for overlay models are on pages 18-19.

FRAMED DOOR PANELS

Over-and-Under Framed (F) Models

Model 611	W	H
Refrigerator Framed Panel	28¹/₈" (714)	48¹/₁₆" (1221)
Freezer Framed Panel	28¹/₈" (714)	18³/₈" (467)
Raised Panel Handle Recess Location - Refrigerator Panel	A) 24¹/₃₂" (610)	
Freezer Panel	B) 14¹/₁₆" (357)	

Model 611G	W	H
Refrigerator Framed Panel	28¹/₈" (714)	48¹/₁₆" (1221)
Freezer Framed Panel	28¹/₈" (714)	18³/₈" (467)
Raised Panel Handle Recess Location - Refrigerator Panel	A) 24¹/₃₂" (610)	
Freezer Panel	B) 14¹/₁₆" (357)	
Window Cut-out Dimensions	19³/₈" (492)	39⁵/₁₆" (999)
Window Cut-out Location	C) 4³/₈" (111)	D) 4³/₈" (111)

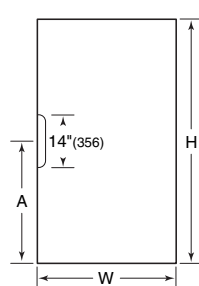
Model 650	W	H
Refrigerator Framed Panel	34¹/₈" (867)	48¹/₁₆" (1221)
Freezer Framed Panel	34¹/₈" (867)	18³/₈" (467)
Raised Panel Handle Recess Location - Refrigerator Panel	A) 24¹/₃₂" (610)	
Freezer Panel	B) 17¹/₁₆" (433)	

Model 650G	W	H
Refrigerator Framed Panel	34¹/₈" (867)	48¹/₁₆" (1221)
Freezer Framed Panel	34¹/₈" (867)	18³/₈" (467)
Raised Panel Handle Recess Location - Refrigerator Panel	A) 24¹/₃₂" (610)	
Freezer Panel	B) 17¹/₁₆" (433)	
Window Cut-out Dimensions	25³/₈" (645)	39⁵/₁₆" (999)
Window Cut-out Location	C) 4³/₈" (111)	D) 4³/₈" (111)

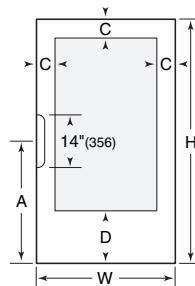
IMPORTANT NOTE: Panel specifications are for Built-In framed (F) models. Panel specifications for overlay models are on pages 18-19.

FRAMED PANELS

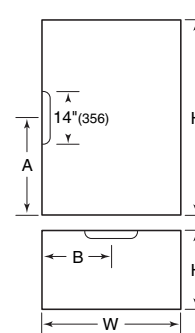
Panel specifications are for Built-In framed (F) models.



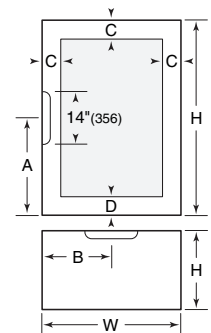
Models 601R and 601F



Model 601RG



Models 611 and 650



Models 611G and 650G

FRAMED PANEL SPECIFICATIONS



FRAMED DOOR PANELS

Side-by-Side Framed (F) Models

Model 661	W	H
Refrigerator Framed Panel	19 ¹ / ₈ " (486)	67 ¹¹ / ₁₆ " (1719)
Freezer Framed Panel	14 ⁵ / ₈ " (371)	67 ¹¹ / ₁₆ " (1719)

Raised Panel Handle Recess Location -

Refrigerator Freezer Panel	A) 38 ⁵ / ₃₂ " (969)
------------------------------	--

Model 642	W	H
Refrigerator Framed Panel	24" (610)	67 ¹¹ / ₁₆ " (1719)
Freezer Framed Panel	15 ⁵ / ₈ " (397)	67 ¹¹ / ₁₆ " (1719)

Raised Panel Handle Recess Location -

Refrigerator Freezer Panel	A) 38 ⁵ / ₃₂ " (969)
------------------------------	--

Model 685	W	H
Refrigerator Framed Panel	24" (610)	67 ¹¹ / ₁₆ " (1719)
Freezer Framed Panel	15 ⁵ / ₈ " (397)	67 ¹¹ / ₁₆ " (1719)

Raised Panel Handle Recess Location -

Refrigerator Freezer Panel	A) 38 ⁵ / ₃₂ " (969)
------------------------------	--

Glasswell Cut-out Dimensions	5 ⁷ / ₈ " (150)	12 ⁷ / ₁₆ " (315)
Glasswell Location (Refrigerator)	E) 1 ⁹ / ₁₆ " (39)	F) 28 ⁹ / ₁₆ " (726)

Model 632	W	H
Refrigerator Framed Panel	27 ¹¹ / ₁₆ " (703)	67 ¹¹ / ₁₆ " (1719)
Freezer Framed Panel	17 ¹⁵ / ₁₆ " (456)	67 ¹¹ / ₁₆ " (1719)

Raised Panel Handle Recess Location -

Refrigerator Freezer Panel	A) 38 ⁵ / ₃₂ " (969)
------------------------------	--

Model 695	W	H
Refrigerator Framed Panel	27 ¹¹ / ₁₆ " (703)	67 ¹¹ / ₁₆ " (1719)
Freezer Framed Panel	17 ¹⁵ / ₁₆ " (456)	67 ¹¹ / ₁₆ " (1719)

Raised Panel Handle Recess Location -

Refrigerator Freezer Panel	A) 38 ⁵ / ₃₂ " (969)
------------------------------	--

Glasswell Cut-out Dimensions	5 ⁷ / ₈ " (150)	12 ⁷ / ₁₆ " (315)
Glasswell Location (Refrigerator)	E) 1 ⁹ / ₁₆ " (39)	F) 28 ⁹ / ₁₆ " (726)

IMPORTANT NOTE: Panel specifications are for Built-In framed (F) models. Panel specifications for overlay models are on pages 18-19.

For Models 685 and 695, panel thickness in the glasswell area can range from 1/4" (6) to a maximum of 1 1/8" (29). If the panel is thicker, you must rout out a minimum 1/4" (6) flat landing area to accommodate the bezel surrounding the glasswell.

PARTIAL FRAMED DOOR PANELS

Ice | Water Dispensing Framed (F) Models

Model 685	W	H
Refrigerator Partial Framed Panel	15 ⁵ / ₈ " (397)	67 ¹¹ / ₁₆ " (1719)
Freezer Partial Framed Panel	15 ⁵ / ₈ " (397)	67 ¹¹ / ₁₆ " (1719)

Model 695	W	H
Refrigerator Partial Framed Panel	17 ¹⁵ / ₁₆ " (456)	67 ¹¹ / ₁₆ " (1719)
Freezer Partial Framed Panel	17 ¹⁵ / ₁₆ " (456)	67 ¹¹ / ₁₆ " (1719)

The partial framed accessory kit (FRAMPAR) is required for this option. Kit includes partial framed molding and classic stainless steel inset handle panels for above and below glasswell on the refrigerator door.

PANEL GRILLE OPTION

Framed (F) Models

Models 611 and 611G	W
Grille Panel Width	28 ³ / ₁₆ " (716)

Models 650, 650G, 661	W
Grille Panel Width	34 ³ / ₁₆ " (868)

Models 642 and 685	W
Grille Panel Width	40 ³ / ₁₆ " (1021)

Models 632 and 695	W
Grille Panel Width	46 ³ / ₁₆ " (1173)

10" (254) Grille	H
Grille Panel Height	8 ¹⁵ / ₁₆ " (227)

11" (279) Grille (standard)	H
Grille Panel Height	9 ¹⁵ / ₁₆ " (252)

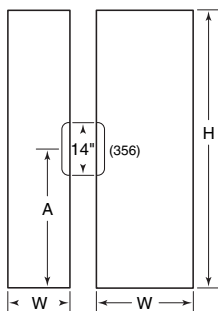
12" (305) Grille Height	H
Grille Panel Height	10 ¹⁵ / ₁₆ " (278)

13" (330) Grille	H
Grille Panel Height	11 ¹⁵ / ₁₆ " (303)

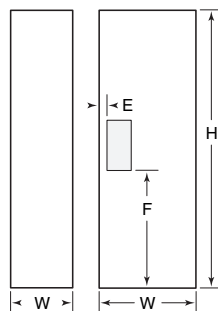
14" (356) Grille	H
Grille Panel Height	12 ¹⁵ / ₁₆ " (329)

15" (381) Grille	H
Grille Panel Height	13 ¹⁵ / ₁₆ " (354)

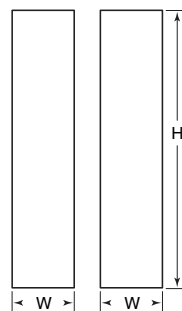
For panel grille insert size, use width dimension listed for your model and height dimension for grille option. 11" (279) grille is standard.



Models 661, 642 and 632



Models 685 and 695



Models 685 and 695 Partial Framed Option

FRAMED PANELS

Panel specifications are for Built-In framed (F) models.

Dimensions in parentheses are in millimeters unless otherwise specified.



OVERLAY PANELS

OVERLAY PANELS

Refer to the Overlay Panel Specifications on pages 18–19 for panel dimensions.

If your customer has chosen an overlay design application, make sure that the panels you are about to install match dimensions listed in the Overlay Panel Specifications on pages 18–19.

IMPORTANT NOTE: The size of the overlay panel is critical. It must fit over the door frame.

Overlay models are shipped without handle hardware. The cabinet manufacturer or designer will provide handle hardware at the job site to match the overall decorating scheme.

To install overlay panels, first remove the magnet backed trim molding using a piece of tape to pull it away from the frame and expose the screws. The molding will bend at the center so that you can remove it. Remove the frame by removing the four screws. The door channel is now ready to accept the overlay panel assembly.

Sub-Zero allows a 1/4" (6) space to slide the backing material into place in the frame. If your material is thicker than a 1/4" (6), either rout an edge around the panel to get a proper fit or mount the decorative overlay panel on a sheet of 1/4" (6) thick material and insert the backing material into the channel.

You must allow for 0.10" (3) space between the backer board and the decorative panel, so the panel will slide easily into the door frame.

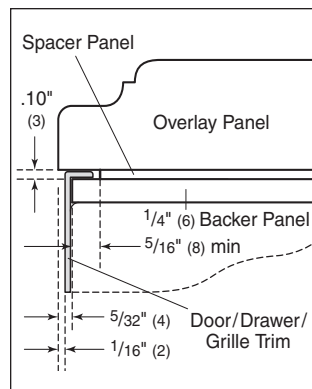
IMPORTANT NOTE: The weight of each panel assembly cannot exceed 50 lbs (23 kg).

Illustration 12 below is a cross section view of the three panel assembly showing placement of the door/drawer/grille trim. Illustration 13 shows a rear view of the three panel assembly and critical dimensions, standard for all models.

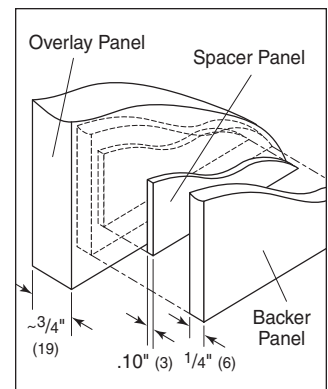
Install the handle hardware before inserting the panel. We recommend larger D-style pulls. The use of small, one-piece knobs is not recommended. If you use screws with thick heads, you will need to countersink the screws into the backer panel before sliding the assembly into place.

Slide the panel into the frame on the door. With the panel in position, replace the frame end. Be sure the panel is inserted completely into the channel for proper fit and alignment.

Replace the trim molding by inserting the top, then the bottom into the handle channel. Release the middle and set the magnets.



Illus. 12



Illus. 13



MODELS 685 AND 695 GLASSWELL

The dispenser area of Models 685 and 695 has been engineered to enable the use of the overlay panel application. Installing overlay panels for these models is the same procedure as for other Built-In models. The refrigerator door panel will need to accommodate a cut-out for the glasswell bezel.

To remove the glasswell bezel for an overlay Model 685 or 695, the water grille and touch pad must be removed. Lift the water grille up and out. Next, remove the touch pad assembly which is taped in place, by removing the center plastic mandrel supports. Carefully tilt the touch pad out and disconnect the wire harness (blue side up) from the back side of the touch pad. Remove the bezel by removing the four screws.

Insert the overlay panel into the door trim. Reverse the procedure to install the bezel, touch pad and water grille. To install the plastic rivets, insert rivets through the touch pad and into the control housing and secure by pressing mandrels into the body of the rivets. Refer to illustrations 14 and 15 below.

IMPORTANT NOTE: The total panel thickness (including backer and spacer, if used) in the glasswell bezel area can range from 1/4" (6) to a maximum of 1 1/8" (29). If the panel is thicker, provisions must be made to rout out a space to accommodate the bezel surrounding the glasswell.

OVERLAY GRILLE PANELS

Models 611, 611G, 650, 650G, 661, 642, 685, 632 and 695: Remove the inner grille panel assembly as described in Grille Removal, page 9. Remove the top two corner screws and pull away the top frame. Slide the panel into position in the grille frame. If you are using a grille panel 1/4" (6) or thinner, you will need to install a filler.

Reattach the top frame by reinstalling the two top corner screws. Install the inner grille panel assembly onto the unit, by reversing the procedure outlined in Grille Removal, page 9.

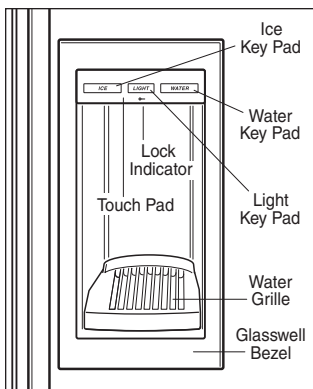
Refer to specifications for Overlay Grille Panels on page 19, and illustration 13 on page 16, for the exact sizing of all three panels.

PANEL DESIGN

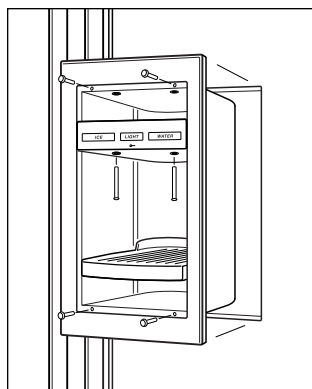
Additional panel design information can be found in the Sub-Zero Design Guide. Check our website at subzero.com.

CAUTION

Do not exceed the panel dimensions listed for the appropriate overlay grille panel you are specifying. The overlay decorative panel cannot be any larger or it may restrict the air flow to the compressor area and cause problems with the operation of the Sub-Zero unit.



Illus. 14



Illus. 15

Dimensions in parentheses are in millimeters unless otherwise specified.

OVERLAY PANEL SPECIFICATIONS

OVERLAY DOOR PANELS

All Refrigerator / All Freezer Overlay (O) Models

Model 601R	W	H
Refrigerator Overlay Panel	34 ⁷ / ₁₆ " (875)	59 ¹ / ₄ " (1505)
Refrigerator Spacer Panel	33 ¹ / ₂ " (851)	58 ⁵ / ₁₆ " (1481)
Refrigerator Backer Panel	34 ¹ / ₈ " (867)	58 ¹⁵ / ₁₆ " (1497)

Model 601RG	W	H
Refrigerator Overlay Panel	34 ⁷ / ₁₆ " (875)	59 ¹ / ₄ " (1505)
Refrigerator Spacer Panel	33 ¹ / ₂ " (851)	58 ⁵ / ₁₆ " (1481)
Refrigerator Backer Panel	34 ¹ / ₈ " (867)	58 ¹⁵ / ₁₆ " (1497)
Window Cut-out Dimensions	25 ⁷ / ₁₆ " (646)	41 ¹ / ₄ " (1048)
Window Cut-out Location	C) 4 ¹ / ₂ " (114)	D) 13 ¹ / ₂ " (343)

Model 601F	W	H
Freezer Overlay Panel	34 ⁷ / ₁₆ " (875)	59 ¹ / ₄ " (1505)
Freezer Spacer Panel	33 ¹ / ₂ " (851)	58 ⁵ / ₁₆ " (1481)
Freezer Backer Panel	34 ¹ / ₈ " (867)	58 ¹⁵ / ₁₆ " (1497)

IMPORTANT NOTE: Panel specifications are for Built-In overlay (O) models. Panel specifications for framed models are on pages 14–15.

OVERLAY DOOR PANELS

Over-and-Under Overlay (O) Models

Model 611	W	H
Refrigerator Overlay Panel	28 ⁷ / ₁₆ " (722)	48 ⁷ / ₈ " (1241)
Refrigerator Spacer Panel	27 ¹ / ₂ " (699)	47 ⁷ / ₁₆ " (1205)
Refrigerator Backer Panel	28 ¹ / ₈ " (714)	48 ¹ / ₁₆ " (1221)
Freezer Overlay Panel	28 ⁷ / ₁₆ " (722)	18 ¹¹ / ₁₆ " (475)
Freezer Spacer Panel	27 ¹ / ₂ " (699)	17 ³ / ₄ " (451)
Freezer Backer Panel	28 ¹ / ₈ " (714)	18 ³ / ₈ " (467)

Model 611G	W	H
Refrigerator Overlay Panel	28 ⁷ / ₁₆ " (722)	48 ⁷ / ₈ " (1241)
Refrigerator Spacer Panel	27 ¹ / ₂ " (699)	47 ⁷ / ₁₆ " (1205)
Refrigerator Backer Panel	28 ¹ / ₈ " (714)	48 ¹ / ₁₆ " (1221)
Freezer Overlay Panel	28 ⁷ / ₁₆ " (722)	18 ¹¹ / ₁₆ " (475)
Freezer Spacer Panel	27 ¹ / ₂ " (699)	17 ³ / ₄ " (451)
Freezer Backer Panel	28 ¹ / ₈ " (714)	18 ³ / ₈ " (467)
Window Cut-out Dimensions	19 ⁷ / ₁₆ " (494)	39 ³ / ₈ " (1000)
Window Cut-out Location	C) 4 ¹ / ₂ " (114)	D) 5" (127)

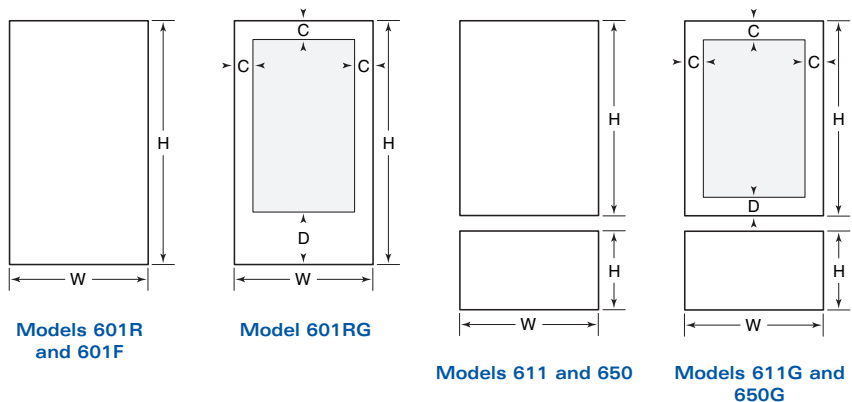
Model 650	W	H
Refrigerator Overlay Panel	34 ⁷ / ₁₆ " (875)	48 ⁷ / ₈ " (1241)
Refrigerator Spacer Panel	33 ¹ / ₂ " (851)	47 ⁷ / ₁₆ " (1205)
Refrigerator Backer Panel	34 ¹ / ₈ " (867)	48 ¹ / ₁₆ " (1221)
Freezer Overlay Panel	34 ⁷ / ₁₆ " (875)	18 ¹¹ / ₁₆ " (475)
Freezer Spacer Panel	33 ¹ / ₂ " (851)	17 ³ / ₄ " (451)
Freezer Backer Panel	34 ¹ / ₈ " (867)	18 ³ / ₈ " (467)

Model 650G	W	H
Refrigerator Overlay Panel	34 ⁷ / ₁₆ " (875)	48 ⁷ / ₈ " (1241)
Refrigerator Spacer Panel	33 ¹ / ₂ " (851)	47 ⁷ / ₁₆ " (1205)
Refrigerator Backer Panel	34 ¹ / ₈ " (867)	48 ¹ / ₁₆ " (1221)
Freezer Overlay Panel	34 ⁷ / ₁₆ " (875)	18 ¹¹ / ₁₆ " (475)
Freezer Spacer Panel	33 ¹ / ₂ " (851)	17 ³ / ₄ " (451)
Freezer Backer Panel	34 ¹ / ₈ " (867)	18 ³ / ₈ " (467)
Window Cut-out Dimensions	25 ⁷ / ₁₆ " (646)	39 ³ / ₈ " (1000)
Window Cut-out Location	C) 4 ¹ / ₂ " (114)	D) 5" (127)

IMPORTANT NOTE: Panel specifications are for Built-In overlay (O) models. Panel specifications for framed models are on pages 14–15.

OVERLAY PANELS

Panel specifications are for Built-In overlay (O) models.



OVERLAY PANEL SPECIFICATIONS



OVERLAY DOOR PANELS

Side-by-Side Overlay (O) Models

Model 661	W	H
Refrigerator Overlay Panel	19 ⁷ / ₁₆ " (494)	68" (1727)
Refrigerator Spacer Panel	18 ¹ / ₂ " (470)	67 ¹ / ₁₆ " (1703)
Refrigerator Backer Panel	19 ¹ / ₈ " (486)	67 ¹¹ / ₁₆ " (1719)
Freezer Overlay Panel	14 ¹⁵ / ₁₆ " (379)	68" (1727)
Freezer Spacer Panel	14" (356)	67 ¹ / ₁₆ " (1703)
Freezer Backer Panel	14 ⁵ / ₈ " (371)	67 ¹¹ / ₁₆ " (1719)

Model 642	W	H
Refrigerator Overlay Panel	24 ⁵ / ₁₆ " (618)	68" (1727)
Refrigerator Spacer Panel	23 ³ / ₈ " (594)	67 ¹ / ₁₆ " (1703)
Refrigerator Backer Panel	24" (610)	67 ¹¹ / ₁₆ " (1719)
Freezer Overlay Panel	15 ¹⁵ / ₁₆ " (405)	68" (1727)
Freezer Spacer Panel	15" (381)	67 ¹ / ₁₆ " (1703)
Freezer Backer Panel	15 ⁵ / ₈ " (397)	67 ¹¹ / ₁₆ " (1719)

Model 685	W	H
Refrigerator Overlay Panel	24 ⁵ / ₁₆ " (618)	68" (1727)
Refrigerator Spacer Panel	23 ³ / ₈ " (594)	67 ¹ / ₁₆ " (1703)
Refrigerator Backer Panel	24" (610)	67 ¹¹ / ₁₆ " (1719)
Freezer Overlay Panel	15 ¹⁵ / ₁₆ " (405)	68" (1727)
Freezer Spacer Panel	15" (381)	67 ¹ / ₁₆ " (1703)
Freezer Backer Panel	15 ⁵ / ₈ " (397)	67 ¹¹ / ₁₆ " (1719)

Glasswell Cut-out Dimensions	W	H
Glasswell Location (Overlay)	E) 1 ¹¹ / ₁₆ " (43)	F) 28 ³ / ₄ " (730)
Glasswell Location (Spacer)	E) 1 ¹ / ₄ " (31)	F) 28 ¹ / ₄ " (718)
Glasswell Location (Backer)	E) 1 ⁹ / ₁₆ " (39)	F) 28 ⁹ / ₁₆ " (726)

Model 632	W	H
Refrigerator Overlay Panel	28" (711)	68" (1727)
Refrigerator Spacer Panel	27 ¹ / ₁₆ " (687)	67 ¹ / ₁₆ " (1703)
Refrigerator Backer Panel	27 ¹¹ / ₁₆ " (703)	67 ¹¹ / ₁₆ " (1719)
Freezer Overlay Panel	18 ¹ / ₄ " (464)	68" (1727)
Freezer Spacer Panel	17 ⁵ / ₁₆ " (440)	67 ¹ / ₁₆ " (1703)
Freezer Backer Panel	17 ¹⁵ / ₁₆ " (456)	67 ¹¹ / ₁₆ " (1719)

Model 695	W	H
Refrigerator Overlay Panel	28" (711)	68" (1727)
Refrigerator Spacer Panel	27 ¹ / ₁₆ " (687)	67 ¹ / ₁₆ " (1703)
Refrigerator Backer Panel	27 ¹¹ / ₁₆ " (703)	67 ¹¹ / ₁₆ " (1719)
Freezer Overlay Panel	18 ¹ / ₄ " (464)	68" (1727)
Freezer Spacer Panel	17 ⁵ / ₁₆ " (440)	67 ¹ / ₁₆ " (1703)
Freezer Backer Panel	17 ¹⁵ / ₁₆ " (456)	67 ¹¹ / ₁₆ " (1719)
Glasswell Cut-out Dimensions	5 ⁷ / ₈ " (150)	12 ⁷ / ₁₆ " (315)
Glasswell Location (Overlay)	E) 1 ¹¹ / ₁₆ " (43)	F) 28 ³ / ₄ " (730)
Glasswell Location (Spacer)	E) 1 ¹ / ₄ " (31)	F) 28 ¹ / ₄ " (718)
Glasswell Location (Backer)	E) 1 ⁹ / ₁₆ " (39)	F) 28 ⁹ / ₁₆ " (726)

IMPORTANT NOTE: Panel specifications are for Built-In overlay (O) models. Panel specifications for framed models are on pages 14–15.

For Models 685 and 695, panel thickness in the glasswell area can range from 1/4" (6) to a maximum of 1 1/8" (29). If the panel is thicker, you must rout out a minimum 1/4" (6) flat landing area to accommodate the bezel surrounding the glasswell.

OVERLAY GRILLE PANELS

Overlay (O) Models
Width Dimensions

Models 611 and 611G	W
Overlay Panel Width	28 ⁷ / ₁₆ " (722)
Spacer Panel Width	27 ¹ / ₂ " (699)
Backer Panel Width	28 ¹ / ₈ " (714)

Models 650, 650G, 661	W
Overlay Panel Width	34 ⁷ / ₁₆ " (875)
Spacer Panel Width	33 ¹ / ₂ " (851)
Backer Panel Width	34 ¹ / ₈ " (867)

Models 642 and 685	W
Overlay Panel Width	40 ⁷ / ₁₆ " (1027)
Spacer Panel Width	39 ¹ / ₂ " (1003)
Backer Panel Width	40 ¹ / ₈ " (1019)

Models 632 and 695	W
Overlay Panel Width	46 ⁷ / ₁₆ " (1180)
Spacer Panel Width	45 ¹ / ₂ " (1156)
Backer Panel Width	46 ¹ / ₈ " (1172)

Height Dimensions

10" (254) Grille	H
Overlay Panel Height	9 ¹ / ₄ " (235)
Spacer Panel Height	8 ⁵ / ₁₆ " (211)
Backer Panel Height	8 ¹⁵ / ₁₆ " (227)

11" (279) Grille (standard)	H
Overlay Panel Height	10 ¹ / ₄ " (260)
Spacer Panel Height	9 ⁵ / ₁₆ " (237)
Backer Panel Height	9 ¹⁵ / ₁₆ " (252)

12" (305) Grille Height	H
Overlay Panel Height	11 ¹ / ₄ " (286)
Spacer Panel Height	10 ⁵ / ₁₆ " (262)
Backer Panel Height	10 ¹⁵ / ₁₆ " (278)

13" (330) Grille	H
Overlay Panel Height	12 ¹ / ₄ " (311)
Spacer Panel Height	11 ⁵ / ₁₆ " (287)
Backer Panel Height	11 ¹⁵ / ₁₆ " (303)

14" (356) Grille	H
Overlay Panel Height	13 ¹ / ₄ " (337)
Spacer Panel Height	12 ⁵ / ₁₆ " (313)
Backer Panel Height	12 ¹⁵ / ₁₆ " (329)

15" (381) Grille	H
Overlay Panel Height	14 ¹ / ₄ " (362)
Spacer Panel Height	13 ⁵ / ₁₆ " (338)
Backer Panel Height	13 ¹⁵ / ₁₆ " (354)

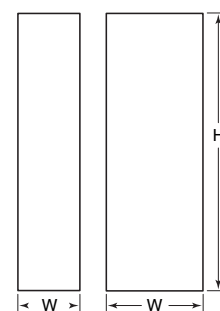
For grille panel size, use width dimensions listed for your model and height dimensions for grille option. 11" (279) grille is standard.

Panel grille is available for all overlay units except Models 601R, 601RG and 601F.

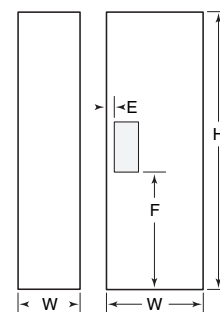
Dimensions in parentheses are in millimeters unless otherwise specified.

OVERLAY PANELS

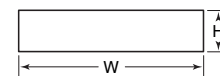
Panel specifications are for Built-In overlay (O) models.



Models 661, 642 and 632



Models 685 and 695



Overlay grille panel



SIDE PANEL INSTALLATION

If you're installing a Built-In model with side panels, check with your installer or use one of the following Side Panel Installation Options.

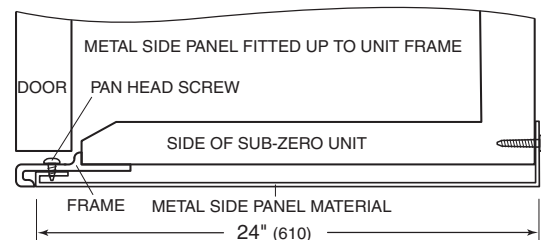
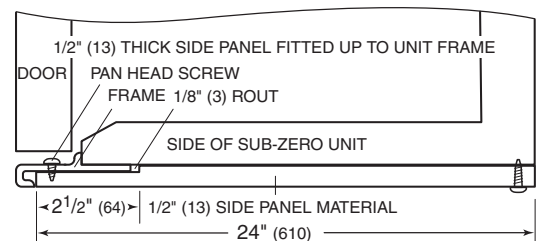
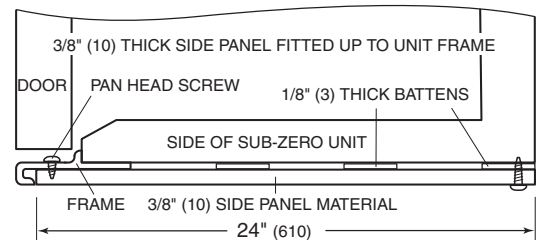
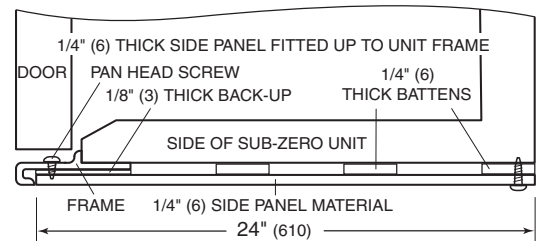
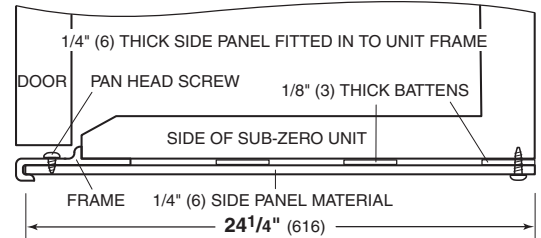
Drill three holes equidistant in a vertical section of the aluminum frame, and install pan head screws. Do not drill through model and serial number plate. Anchor the side panel with decorative screws or finishing nails from a local hardware store. Do not use adhesives. Refer to illustration 16 below.

The dimensions given in the Side Panel Installation Options are for typical wood side panels. If a 1/4" (6) thick or less panel is used and inserted into the return channel extrusion, then a 24 1/4" (616) wide panel is necessary. In this application, the panel must be notched for the grille and other brackets or screws that are in the return channel. Toe kick cut-outs will be necessary for all side panel applications. Refer to illustration 17 below.

IMPORTANT NOTE: The use of side panels may change the width of your rough opening.

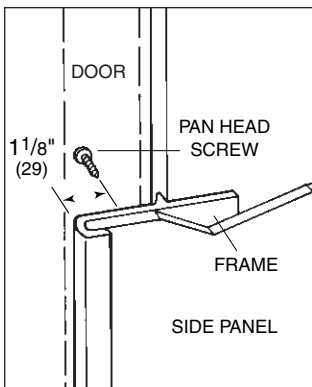
IMPORTANT NOTE: The overall height on the side panel will vary with the height of the grille being used. Make sure you know your finished height before cutting any panels.

SIDE PANEL INSTALLATION OPTIONS

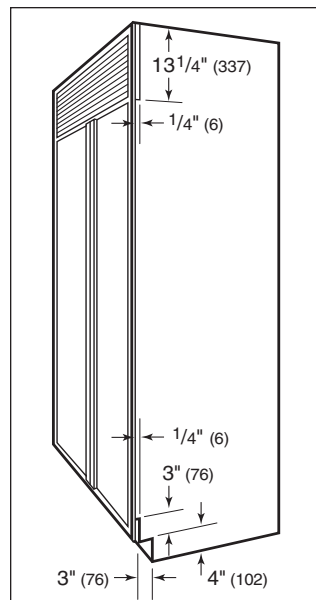


Top Views

Dimensions in parentheses are in millimeters unless otherwise specified.



Illus. 16



Illus. 17



ANCHOR THE UNIT

After door and side panels have been installed, the unit has been leveled and door adjustment completed, anchor the unit to the opening. This will assure a proper fit and a secure installation. The Sub-Zero Anchoring Kit (part #4200900), available from your Sub-Zero dealer, includes the necessary hardware.

IMPORTANT NOTE: Be sure to level and square the unit before anchoring it.

TWO UNITS ANCHORED TOGETHER

- Drill three 1³/₆₄" holes through the middle trim of both units.
- Using the Loctite on the screws, install the three Chicago screw posts.
- Recheck the units for level.
- Drill three 3³/₁₆" holes through both outer trims. Refer to illustration 18 below.
- Using a 1¹/₈" drill bit, drill into the cabinetry for a pilot hole.
- Install all six Sems to the cabinetry.

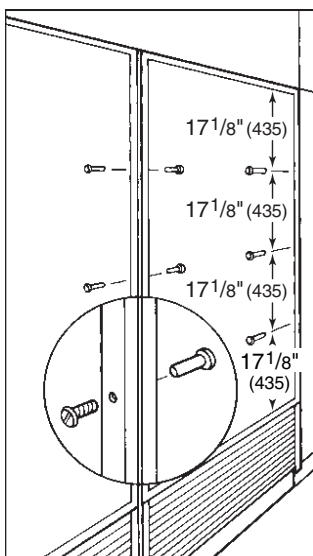
⚠ CAUTION
Do not drill through the model and serial number plate.

UNIT ANCHORED TO CABINETRY

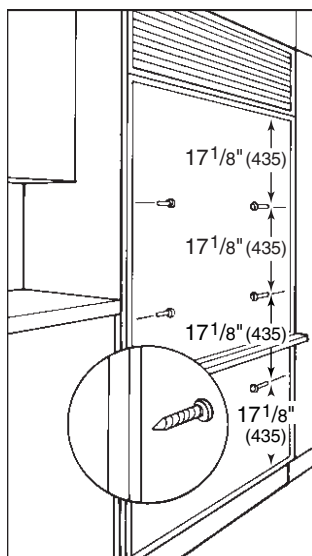
- First, make sure units have been leveled and aligned, and doors adjusted.
- Drill three 3³/₁₆" holes through both outer trims. Refer to illustration 19 below.
- Drill a 1¹/₈" pilot hole into the cabinetry.
- Install all six Sems.

HINGE ADJUSTMENT

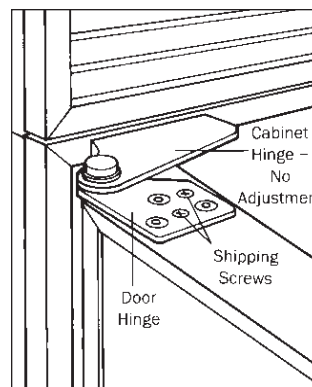
Check to make sure the doors are properly aligned. If not, the door hinges will have to be adjusted. Remove the two small shipping screws from the top and bottom hinge as shown in illustrations 20 and 21 below. Next, using a 1¹/₈" allen head wrench, loosen the allen head screws in the top and bottom hinge. Loosen the allen head screws only slightly, so that the door will remain in position as you adjust it. You will now be able to move the door to the left, right, or in and out. Once the adjustments are made, tighten the allen head screws—do not put the shipping screws back.



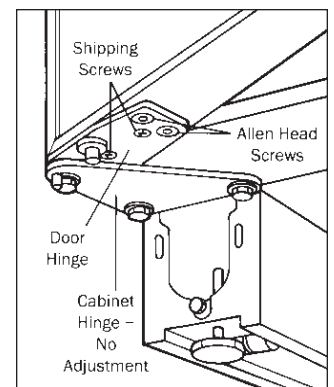
Illus. 18



Illus. 19



Illus. 20



Illus. 21



90 DEGREE DOOR STOP

The doors of all Built-In models open to 130 degrees. For Models 601R, 601RG, 601F, 661, 642, 685, 632 and 695, optional 90° or 105° door stop kits are available through your Sub-Zero dealer.

Models 611, 611G, 650 and 650G come with a door stop pin to limit the door swing to 90 degrees. To install the door stop pin for Models 611 and 650, remove the pin from the plastic package located behind the grille and insert it into the space provided on the top hinge plate. Tighten with a screwdriver. Refer to illustration 22 below.

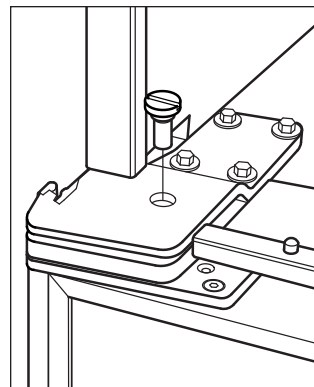
For Models 611G and 650G, remove the door stop pin from the plastic package located behind the grille and insert it into the space provided on the lower hinge plate. Tighten with a screwdriver. Refer to illustration 23.

INSTALLATION CHECKLIST

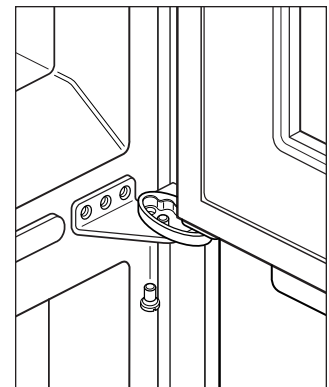
The importance of the installation of the Sub-Zero Built-In unit cannot be overemphasized. Proper installation is the responsibility of the selling dealer or installer.

IMPORTANT NOTE: To ensure a safe and proper installation, the following checklist should be completed by the installer to ensure that no part of the installation has been overlooked.

Any questions or problems about the installation should be directed to your Sub-Zero dealer or the Sub-Zero Customer Service Department at 800-222-7820 or e-mail customerservice@subzero.com. You can also visit our website at subzero.com.



Illus. 22



Illus. 23

Dimensions in parentheses are in millimeters unless otherwise specified.



INSTALLATION CHECKLIST

- Has the unit been secured in place with the provided anti-tip blocking kit or is there clearance of 1" (25) or less between the unit and a solid soffit?
- Are both front leveling legs extended down to make contact with the floor? Is the unit level?
- Is the power cord plugged into a properly grounded 3-prong outlet, which has been installed in accordance with all applicable electrical codes?
- Is the water supply connected for units with an automatic ice maker? Have you checked for leaks?
- Is the drain pan in the proper position? Has the kickplate been installed properly?
- Are panels attached securely and properly aligned?
- Have the door(s) been aligned for proper appearance and operation?
- Have all accessories been installed?
- Have any installation/service problems been noted on the product registration card? Has the registration card been mailed in?
- Have stainless steel door(s) been inspected for any imperfections? This is to be done by the dealer/installer with the customer upon completion of the installation.
NOTE: Classic, platinum and carbon stainless steel panels are covered by a limited 60-day parts and labor warranty for cosmetic defects.

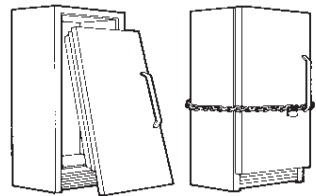
SERVICE INFORMATION

If you need service, be sure to have the model and serial number when you call. You'll find these numbers on the model and serial number on the plate at the top frame of the unit inside the door.

Contact a Sub-Zero Factory Authorized Service Center, a Sub-Zero dealer, or the Sub-Zero Customer Service Department, P. O. Box 44130, Madison, WI 53744-4130, call 800-222-7820 or e-mail customerservice@subzero.com.

⚠ WARNING

If you are storing or disposing of your old refrigerator or freezer, please do it safely. Remove the doors or tightly secure the doors closed. Child entrapment accidents can be tragic.



CONTACT INFORMATION

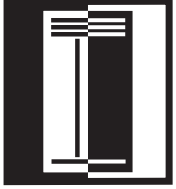
**Sub-Zero
Customer Service:
800-222-7820**

**Website:
subzero.com**

**E-mail Address:
customerservice@
subzero.com**

The information and images in this book are the copyright property of Sub-Zero Freezer Company, Inc. Neither this book nor any information or images contained herein may be copied or used in whole or in part without the express written permission of Sub-Zero Freezer Company, Inc.

©Sub-Zero Freezer Company, Inc. all rights reserved.



SUB-ZERO FREEZER COMPANY, INC. P. O. BOX 44130 MADISON, WI 53744-4130 800-222-7820 SUBZERO.COM

