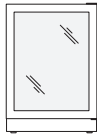




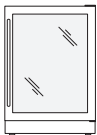
Undercounter Model UC-24B Beverage Center



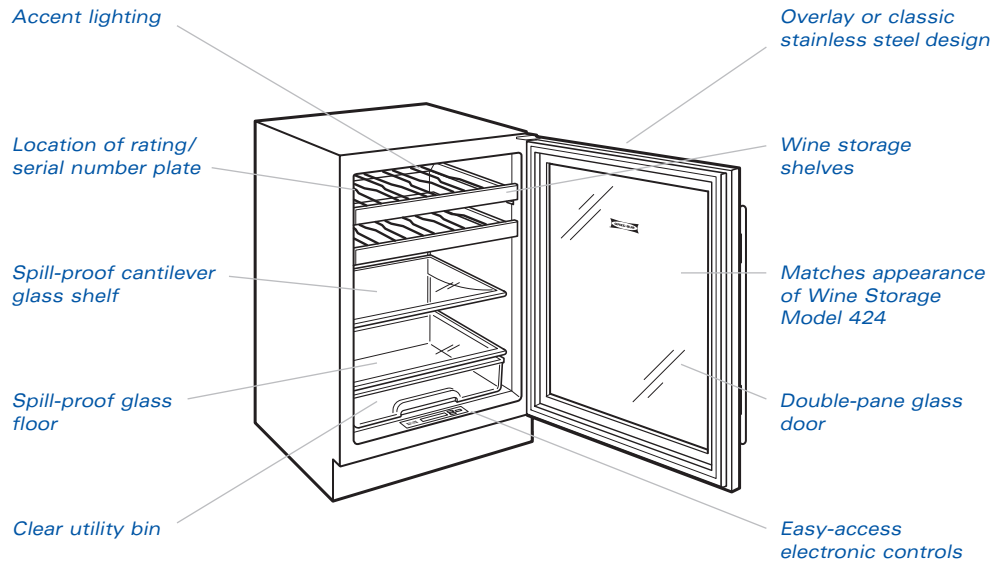
UNDERCOUNTER



Model UC-24B/O Overlay



Model UC-24B/S Classic Stainless Steel



This appliance will be certified by Star-K to meet strict religious regulations in conjunction with specific instructions found on www.star-k.org.

► The Sub-Zero Undercounter all refrigerator Model UC-24B, with full-view glass door, is available in your choice of the overlay or classic stainless steel design application. A high altitude glass door unit may be special ordered for installations at or above 5,000' (1524 m) in elevation.

Sub-Zero Undercounter units simplify life at home by bringing refrigeration anywhere it's needed. Fresh greens in the kitchen island. Soda and snacks in the media room. Chilled wine and mineral water in the master suite. Imagine how this innovative built-in unit can serve you.

The all refrigerator Model UC-24B, with full-view glass door, can be ordered in the overlay or classic stainless steel design.

The Model UC-24B offers more features than ever. The easy-access electronic controls with LCD display are visible through the glass door. Two wine storage shelves hold 16 (750 ml) bottles and a clear utility bin stores smaller items.

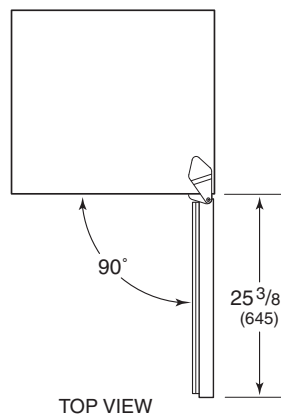
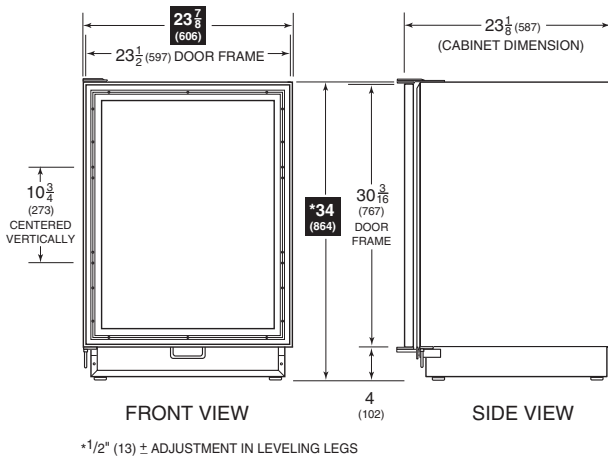


Undercounter Model UC-24B

FEATURES

- ▶ All refrigerator beverage center with wine storage to accommodate 16 (750 ml) bottles
- ▶ Overlay or stainless steel design application with standard full-view glass door
- ▶ Easy-access electronic controls with LCD display visible through the glass door
- ▶ Roller-glide wine storage shelves faced with natural cherry wood have a three-quarter extension for easy access
- ▶ Adjustable spill-proof cantilever glass shelf and spill-proof glass floor
- ▶ Clear utility bin for storage of smaller items
- ▶ Double-pane, full-view glass door and accent lighting matches appearance of Wine Storage Model 424
- ▶ High altitude glass door model can be special ordered
- ▶ Optional lock available as a sales accessory
- ▶ UL approved for US and Canada
- ▶ Two, five and twelve year residential warranty—exclusions apply, see warranty at the end of this guide

OVERALL DIMENSIONS



UNDERCOUNTER

Overall dimensions shown in the overlay design application with standard full-view glass door.

Dimensions may vary by ± 1/8" (3).

Dimensions in parentheses are in millimeters unless otherwise specified.



Undercounter Model UC-24B



UNDERCOUNTER

MODEL OPTIONS ▼

Overlay Design	UC-24B/O
Classic Stainless Steel	UC-24B/S

DOOR OPTIONS ▼

High Altitude Glass Door	UC-24BA/O
	UC-24BA/S

You must allow 90 days from order to delivery for high altitude glass door model.

ACCESSORIES

- ▶ Classic stainless steel tubular handle for overlay application
- ▶ Polished chrome handle for overlay application
- ▶ UL approved door lock kit

Accessories are available through your Sub-Zero dealer. To obtain local dealer information, visit the Locator section of our website, subzero.com.

SPECIFICATIONS ▼

Model UC-24B	Undercounter Beverage Center
Overall Width	23 ⁷ / ₈ " (606)
Overall Height	34" (864)
Overall Depth	24" (610)
Refrigerator Capacity	5.7 cu ft (161 L)
Wine Storage Capacity	16 Bottles (750 ml)
Door Swing Clearance	25 ³ / ₈ " (645)
Electrical Requirements	115 V AC, 60 Hz 15 amp dedicated circuit
Annual Energy Usage (based on 9.06 cents per kilowatt hour)	424 kWh / \$39
Shipping Weight	Overlay – 130 lbs (59 kg) Stainless Steel – 135 lbs (61 kg)
Special Note	High altitude glass door unit is available for elevations 5,000' (1524 m) or above

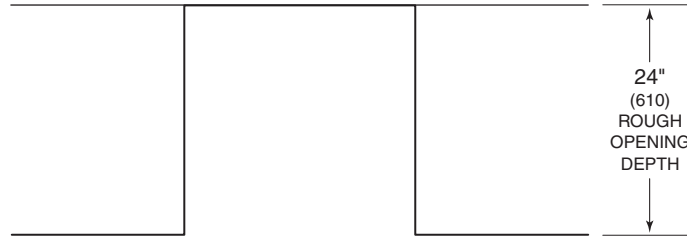
Specifications are subject to change without notice.

Undercounter Model UC-24B

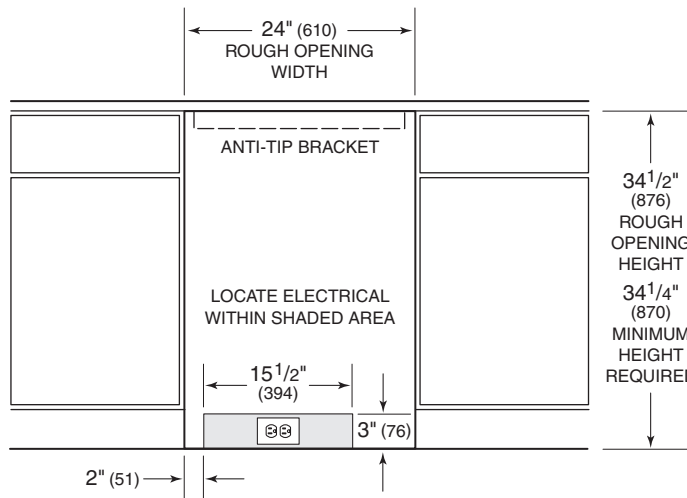
INSTALLATION SPECIFICATIONS



UNDERCOUNTER



TOP VIEW



FRONT VIEW

DIMENSIONS

Finished Rough Opening Width	24" (610)
Finished Rough Opening Height	34 1/2" (876)
Finished Rough Opening Depth	24" (610)
Location of Electrical	Within shaded area

See Installation Instructions shipped with unit for detailed specifications.



Undercounter Model UC-24B

INSTALLATION NOTES

- ▶ Refer to the illustrations and specifications for overall dimensions, finished rough opening dimensions and installation specifics.
- ▶ For corner installations, you need allow for a minimum 3" (76) filler so the door can open to 90°. If you are using some larger handle hardware, you will also need to take that into account.
- ▶ The anti-tip bracket must be installed to prevent the unit from tipping forward.
- ▶ When planning to install the Undercounter unit next to adjoining cabinetry, you must make provisions to allow the door to open to a maximum of 145° and not interfere with the door panel. Refer to the full-scale illustration on page 10 for cabinetry dimensions.
- ▶ For the overlay design, you will need to provide a frame panel for the glass door. Refer to the overlay door panel information on page 6.

IMPORTANT NOTE: A solid door panel must not be installed on a glass door unit, as this may cause moisture to form behind the panel.

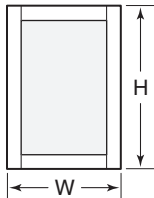
- ▶ For the overlay panel application, you must supply your own handle hardware. It is recommended you use our optional handles and use the pre-drilled holes supplied to locate the handles within the frame of the unit.

- ▶ For the overlay model, the weight limit for a frame panel for the glass door unit is 10 lbs (5 kg). The panel must be a minimum of $\frac{5}{8}$ " (16) thick.
- ▶ A 115 V AC, 60 Hz, 15 amp fused electrical supply is required. It is recommended that a separate circuit, serving only this appliance, be provided.
- ▶ The Model UC-24B is equipped with a power supply cord with a 3-prong grounding plug which must be plugged into a mating 3-prong grounding type wall receptacle. The electrical outlet must be placed so the grounding prong is to the right of the thinner blades. The outlet must be flush with the back wall. Locate electrical within the shaded area shown in the installation illustration on page 4.
- ▶ You must follow all National Electrical Code regulations. In addition, be aware of local codes and ordinances when installing your service.
- ▶ Refer to the Undercounter Installation Instructions packed with the appliance, which provides step-by-step procedures for making sure the unit is installed properly.

Undercounter Model UC-24B



UNDERCOUNTER



► *Overlay Door Panel*

⚠ CAUTION

A solid panel must not be installed on a glass door unit, as this may cause moisture to form behind the panel.

OVERLAY DOOR PANEL

The overlay door panel design allows for a decorative panel to cover the door trim for a seamless appearance that will compliment surrounding cabinetry. You may also choose to match the handle hardware of surrounding cabinetry.

The overlay door panel applied to the Model UC-24B will consist of only a frame and will affix directly to the door with screws through a series of predrilled holes in the perimeter of the door.

The glass door opening of the Model UC-24B is designed to be exposed to room air circulation. Decorative overlays on the glass should be kept to a minimum. Rails and stiles must be a minimum of 2¹/₄" (57) wide. They can be increased in size but should not exceed cabinet manufacturers' standard width. Rails and stiles cannot exceed the overall door panel dimensions specified in the chart below, as they would interfere with the operation of the door. The back sides of rails and stiles that will be visible through the glass door will need to be finished. Also, the inside edges of the frames must be finished to match the front surface.

IMPORTANT NOTE: The weight of the door panel cannot exceed 10 lbs (5 kg).

When planning to install an Undercounter model next to adjoining cabinetry, you must make provisions to allow the door to open to a maximum of 145° and not hit the door panel. Refer to the full-scale illustration at the end of this section.

Refer to the following chart and the Overlay Door Panel illustration for panel specifications for Model UC-24B.

OVERLAY PANEL DIMENSIONS ▼

Door Panel Width	23 ³ / ₄ " (603)
Door Panel Height	30 ¹ / ₁₆ " (764)
Width of Rails and Stiles	2 ¹ / ₄ " (57) min
Door Panel Weight	10 lbs (5 kg) max
Panel Thickness	⁵ / ₈ " (16) min



Undercounter Model UC-24B



UNDERCOUNTER

⚠ CAUTION

When planning for hardware on Model UC-24B/O, refer to the Door Frame Profile full-scale illustration at the end of this section to give you a better understanding of the unit's frame and positioning of the glass for the door. You must not drill through the glass.

WOOD FACING WINE SHELVES

Sub-Zero has provided a natural cherry wood facing to the wine shelves in Model UC-24B. If, however, you would like to replace these strips with wood more complementary to your design and surrounding cabinetry, you can.

The Wine Shelf Wood Facing illustration on page 9 can be used as a full-scale template. You must follow the layout of this format to accommodate the shelves properly. To remove the cherry strips, take the shelves out and merely remove the screws.

Reverse the procedure to affix the new wood. If you choose to stain or seal the wood facing, be aware that some of these substances are hazardous and will damage stored wine.

HARDWARE CONSIDERATIONS

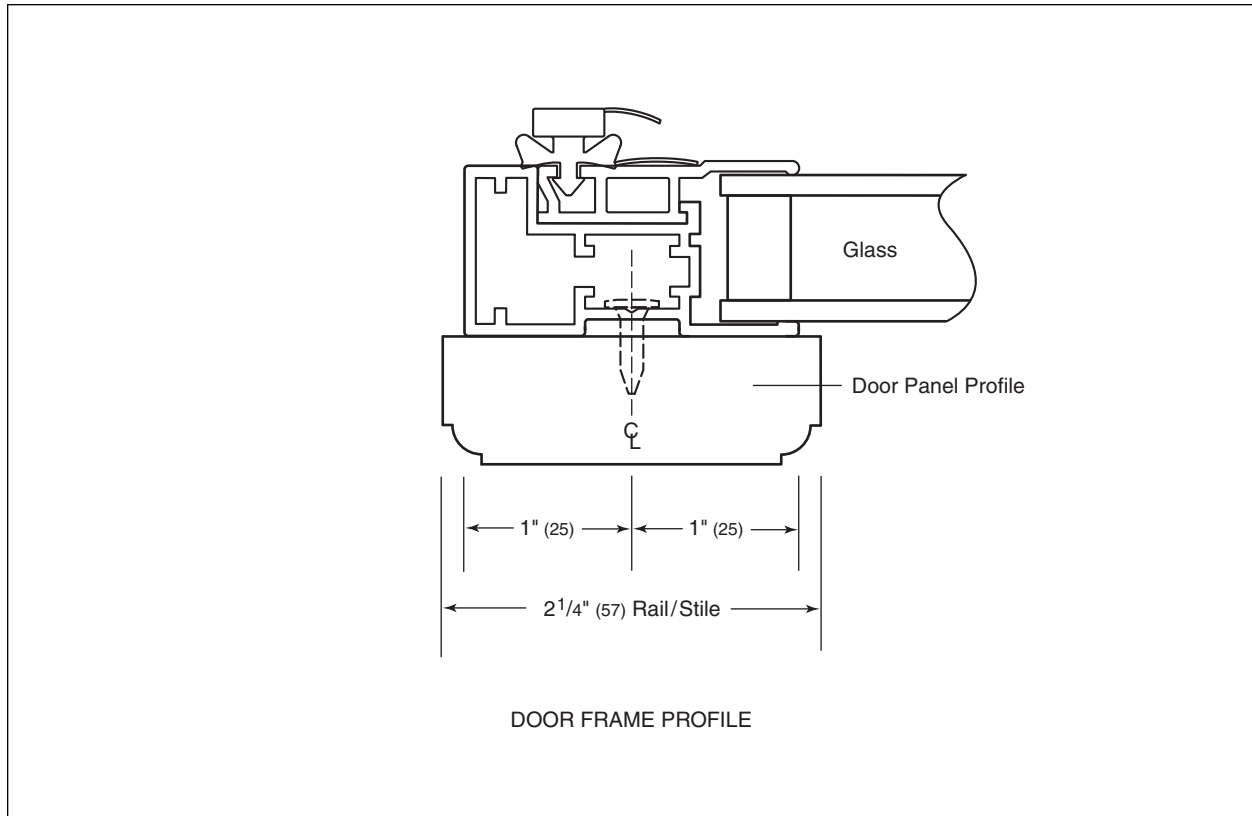
When using an Undercounter model in an overlay application, you must provide your own handle hardware. It is recommended you use our optional handles available as sales accessories. For Model UC-24B/O, use the pre-drilled holes supplied to locate the handles within the frame of our unit. The metal frame on the door has numerous mounting holes on each side to accommodate Sub-Zero accessory handles. This will allow you to provide the best possible handle alignment and not take away from the strength of the stile in this area after the unit is used a number of times. We recommend using a pull handle and not a pull knob.

If you elect to place different hardware on the Model UC-24B/O, we encourage you to fasten the hardware by passing through our door and attach the hardware through the Sub-Zero door's frame. The other option is to fasten the handle directly to the overlay panel.

Optional stainless steel handles are available in a variety of diameters and lengths in the classic stainless steel finish and polished chrome. Contact your Sub-Zero dealer for specifics. To obtain local dealer information, visit the Locator section of our website, subzero.com.

Undercounter Model UC-24B

DOOR FRAME PROFILE



UNDERCOUNTER

FULL-SCALE TEMPLATES

The full-scale illustrations on this page and the following pages enable you to understand some of the unique situations you may face as you design the Undercounter units into homes. These templates can be easily photocopied or used in your tracings.

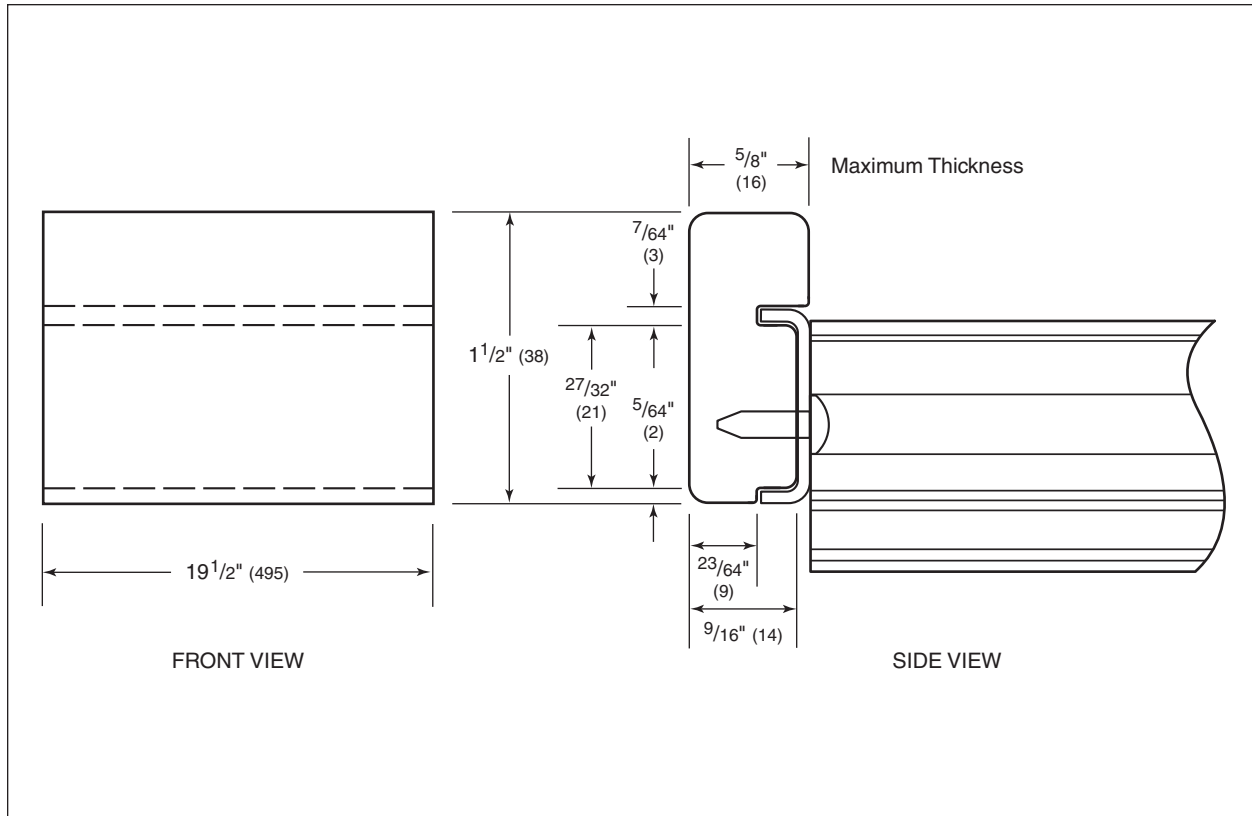
DOOR FRAME PROFILE

The full-scale illustration above shows the door frame profile for Model UC-24B.

IMPORTANT NOTE: Rails and stiles must be a minimum of 2 1/4" (57) wide. The back sides of rails and stiles that will be visible through the glass door will need to be finished.

Undercounter Model UC-24B

WINE SHELF WOOD FACING



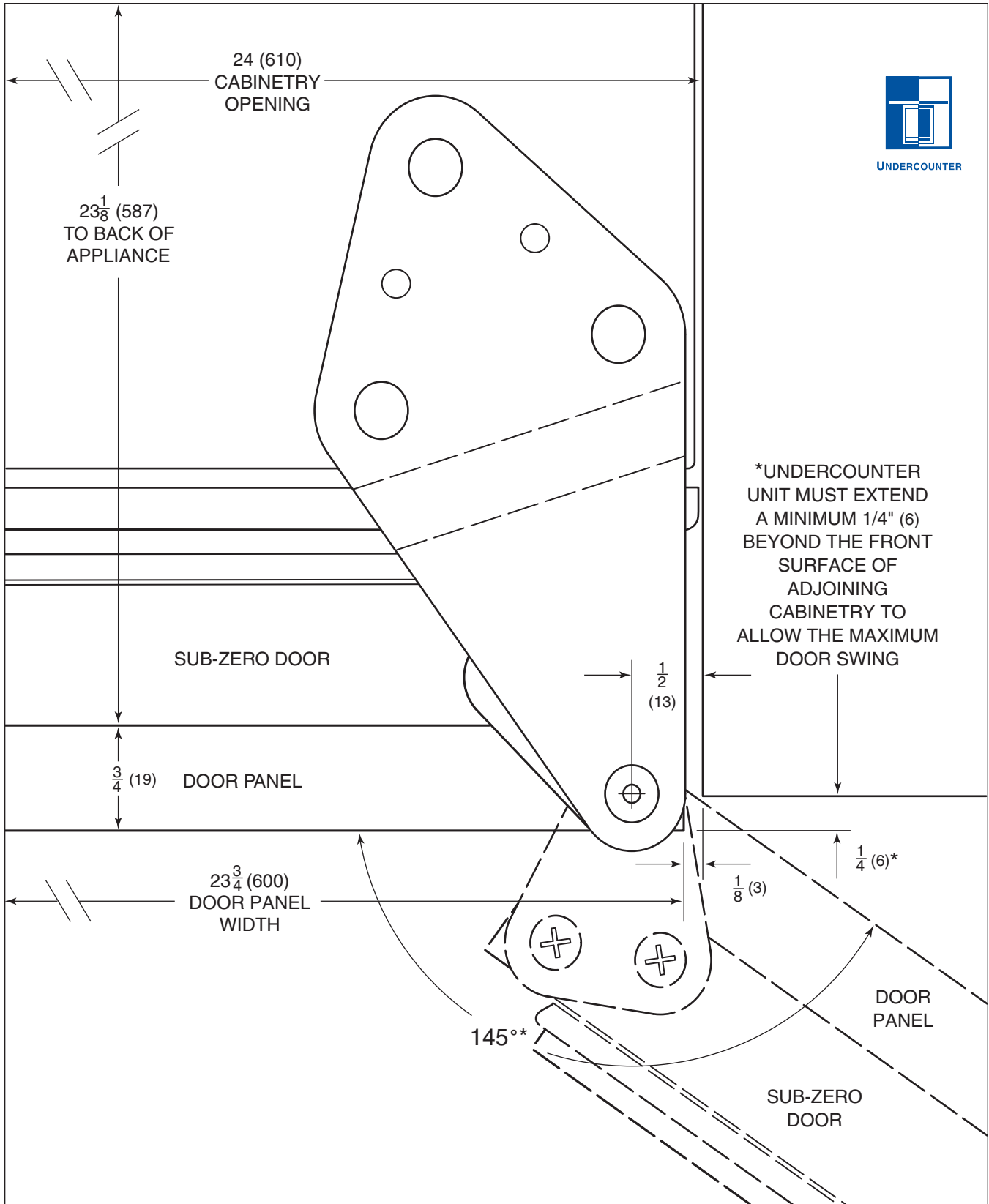
UNDERCOUNTER

WINE SHELF WOOD FACING

For Models UC-24B, use the full-scale illustration above as a template if you choose to replace the natural cherry wood facing with wood more complementary to your design and surrounding cabinetry.

Undercounter Model UC-24B

DOOR CLOSED AND 145° MAX OPENING



Dimensions in parentheses are in millimeters unless otherwise specified.