

LIEBHERR

Installation Instructions

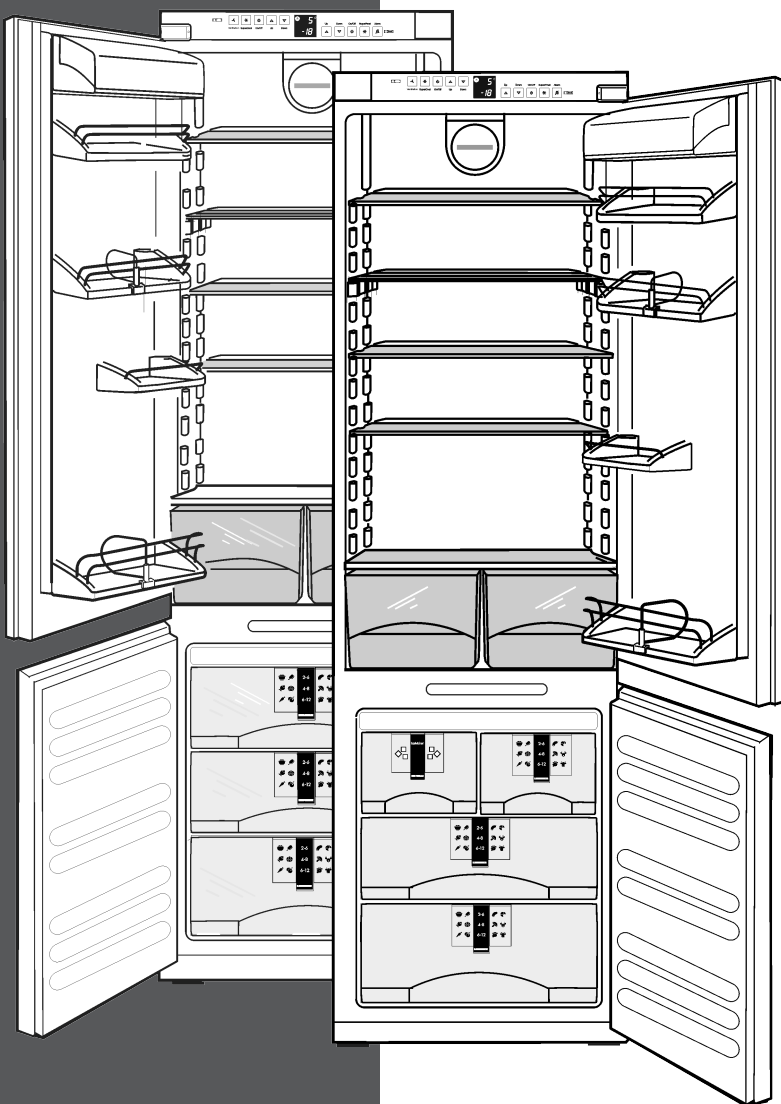
Combined fridge-freezer for
integrated use, door slider

Instructions de montage

Combiné réfrigérateur-
congélateur, intégrable, porte
oscillante

Instrucciones de montaje

Combinado frigorífico-congelador,
integrable, puerta orientable



HC 1011/1060 HC 1001/1050
7084000 - 00

General safety information

Contents

1	General safety information.....	2
2	Setting up the appliance.....	2
3	Changing the door hinges.....	3
3.1	To detach the soft stop mechanism.....	3
3.2	Reversing the door.....	3
3.3	Re-attaching the soft stop mechanism.....	3
4	Kitchen Cabinet Construction.....	4
4.1	Kitchen Cabinet Airflow.....	4
4.2	Designing the Kitchen Cabinet.....	6
4.3	Designing the Kitchen Cabinet Doors.....	7
5	Water supply.....	9
6	Installation.....	9
6.1	Assembling the appliance.....	10
6.2	Fitting the unit doors.....	11
7	Connecting the appliance.....	13

The manufacturer is constantly working to improve all models. Therefore please understand that we reserve the right to make design, equipment and technical modifications.




To get to know all the benefits of your new appliance, please read the information contained in these instructions carefully.

The instructions apply to several models, so there may be differences. Sections which only apply to certain appliances are indicated with an asterisk (*).

Instructions for action are marked with a ►, the results of action are marked with a ▷.

1 General safety information

Read and follow these instructions. They contain safety advice which is important for safe and problem-free installation and operation. Always read and follow the safety advice.

	DANGER	indicates a hazardous situation, which if not avoided, will result in death or serious injury.
	WARNING	indicates a hazardous situation, which if not avoided, could result in death or serious injury.
	CAUTION	indicates a hazardous situation, which if not avoided, will result in minor or moderate injury.
	NOTICE	indicates a hazardous situation, which if not avoided, could result in damage to property.
	Note	indicates useful advice and tips.

It is important that the guidelines and instructions in this manual are followed so that the appliance is correctly installed and operates properly. Read and understand all information in this manual before the appliance is installed.

2 Setting up the appliance



WARNING

Risk of fire due to moisture!
If live parts or the power cord get wet, this can cause a short circuit.

- The appliance is designed for use in enclosed spaces. Do not operate the appliance in open space or in damp areas or where there is spray.



WARNING

Danger of fire and damage!

- Do not place devices that give off heat, e.g. microwaves, toasters, etc. on the appliance.



CAUTION

Risk of personal injury!

- Have two people move this appliance into place.

NOTICE

Risk of damage caused by condensation
Installing the appliance next to any other refrigerator or freezer can cause damage or condensation to the Liebherr appliance.

- Do not install this appliance next to any other refrigerator or freezer except another Liebherr model. Liebherr models are designed to allow side-by-side installation. They are equipped with a heating system to eliminate condensation when refrigerators or freezers are installed side-by-side.

NOTICE

Risk of damage for the finished floor surface!

- Protect the finished floor surface before you uncrate the unit.

Verify that:

- the floor under the appliance is flat and level.
- the floor can support the appliance's weight plus approximately 1200 pounds (544 kg) of food weight.
- the appliance is not placed in direct sunlight or near the stove, range top, radiators and similar heat sources.
- the kitchen cabinet that the appliance is installed in is shimmed to the floor level if the floor heights are not equal.
- cutout dimensions are accurate.
- electrical outlet is in correct location.
- the air flow is not restricted. Air flow must be provided for the appliance to operate properly. The factory air vents provide 31 square inches (200 cm²) of air flow per appliance. If you are replacing the air vents with an overlay, the air flow must be the same or greater than the factory air vents.
- Examine the unit and packaging for shipping damage. Contact the carrier immediately if you suspect there is any damage.

Changing the door hinges

- ▶ Note the type (model, number), index, appliance/serial number, date of purchase and where purchased on the spaces provided in see Appliance Information.
- ▶ Remove anything attached to the rear or side walls of appliance that would prevent proper installation or impede proper ventilation.

If the appliance is set up in humid areas, condensation may build on the outside of the appliance.

- ▶ Always ensure proper ventilation.

3 Changing the door hinges

Make sure you have the following tools on hand:

- Hex wrench 13
- Cordless screwdriver Torx 15, 20, 25, 30

Push the appliance 2/3 of the way into the recess.

Disconnect the power plug.

Open the doors.

3.1 To detach the soft stop mechanism*



CAUTION

Risk of injury if soft stop contracts!

- ▶ Detach with care.

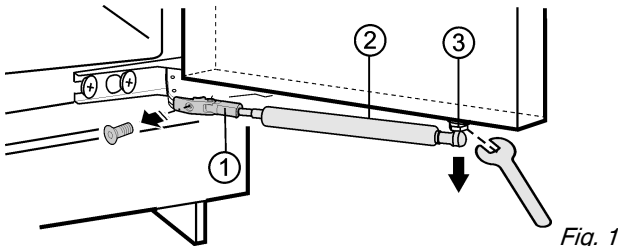


Fig. 1

- ▶ Unscrew retainer Fig. 1 (1).
- ▶ Unscrew ball stud Fig. 1 (3) together with the soft stop mechanism Fig. 1 (2) from the door and set to one side.

3.2 Reversing the door

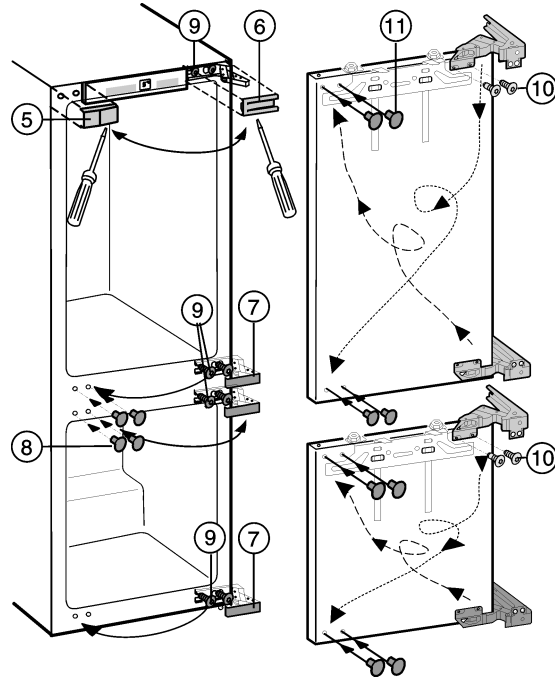


Fig. 2

- ▶ Lift off covers Fig. 2 (5,6,7,8) using a slot screwdriver.
- ▶ Just loosen top and bottom screws Fig. 2 (9) on the body of the appliance.
- ▶ Push doors outwards and unhook.
- ▶ Swap screws Fig. 2 (9) to the opposite side and screw them in a little.



CAUTION

Risk of injury if hinges fold!

- ▶ Leave hinges open.

- ▶ Undo screws Fig. 2 (10) and change over the hinges diagonally.

The screws Fig. 2 (10) are self-tapping: use a cordless screwdriver.

- ▶ Tighten the hinges.
- ▶ Close off the now unused fastening holes with the plugs Fig. 2 (11) supplied.
- ▶ Hang doors on the pre-fitted screws Fig. 2 (9) and tighten screws.

3.3 Re-attaching the soft stop mechanism*

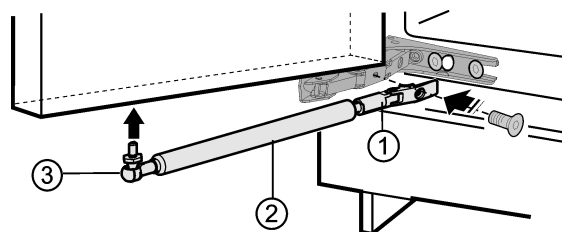


Fig. 3

- ▶ Screw on retainer Fig. 3 (1).

Kitchen Cabinet Construction

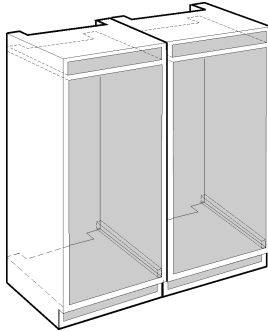
- ▶ Screw in ball stud *Fig. 3 (3)* together with the soft stop mechanism *Fig. 3 (2)* in the fastening hole.
- ▶ Re-attach all covers *Fig. 2 (5,6,7,8)*.

- The top ventilation space can be either directly over the appliance *Fig. 4 (2)* or next to the ceiling over a cabinet *Fig. 4 (3)*, or through a vent installed in a soffit *Fig. 4 (4)*.

4 Kitchen Cabinet Construction

This is a fully integrated appliance which means that it is fully enclosed by a kitchen cabinet. This type of cabinet must be carefully constructed using the proper dimensions and it must provide proper ventilation to ensure proper appliance operation.

Make a separate kitchen cabinet for each appliance for Side-by-Side installations.



Consider having a professional install the appliance in your kitchen cabinet.

4.1 Kitchen Cabinet Airflow

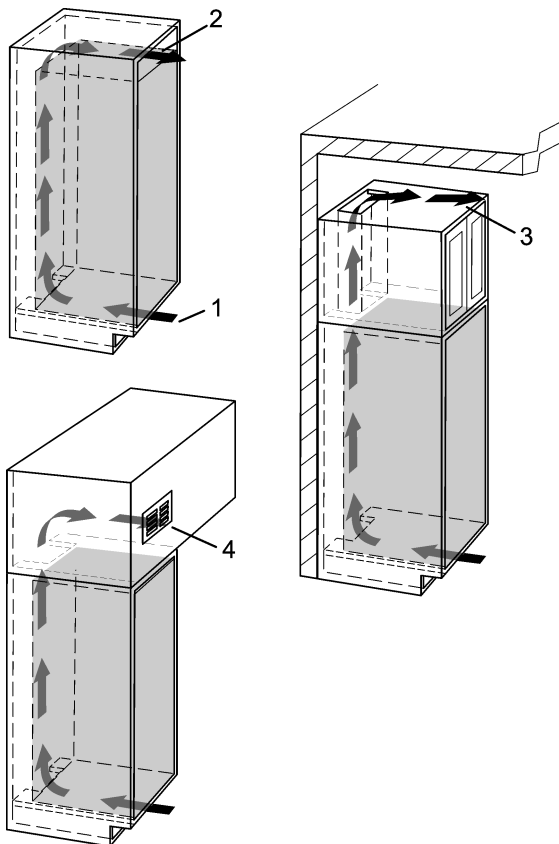


Fig. 4

- There must be a ventilation space at least 31 in² (200 cm²) at the airflow inlet *Fig. 4 (1)* and at the airflow outlet *Fig. 4 (2)*.

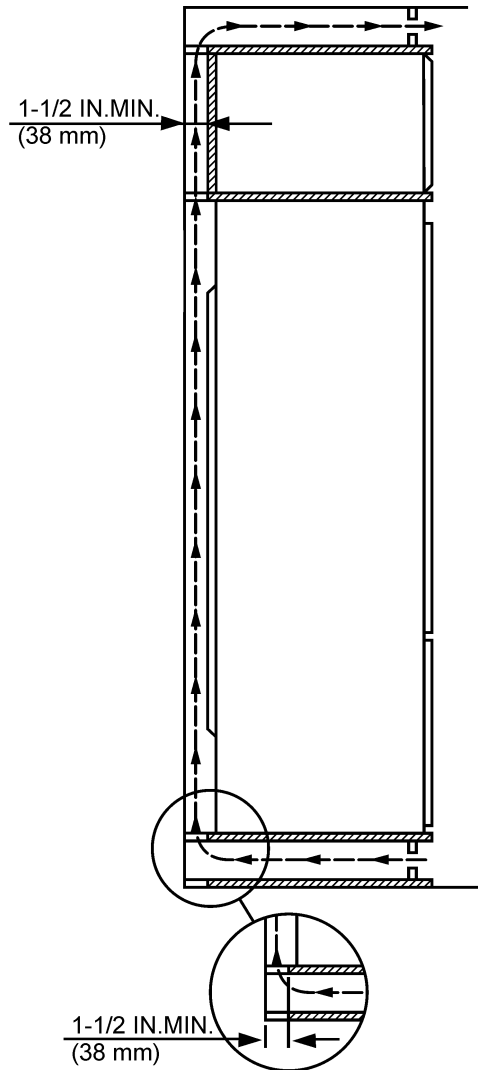


Fig. 5

- There must be a clear ventilation space (without any obstructions) of at least 1-1/2 in. (38 mm) at the back of the kitchen cabinet.

- ▶ Observe the above ventilation dimensions.

Ventilation through the cabinet base at the bottom can be achieved by installing the provided ventilation grille *Fig. 6 (3)* or via a ventilation opening of at least 31 in² (200 cm²). When using the provided ventilation grille *Fig. 6 (3)*, please proceed as follows:

Kitchen Cabinet Construction

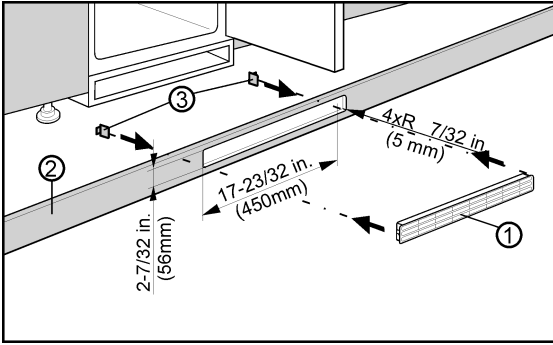


Fig. 6

- ▶ In the cabinet base, cut out a ventilation opening that is 17-23/32 in. (450 mm) in width and 2-7/32 in. (56 mm) in height.
- ▶ Insert ventilation grille *Fig. 6 (3)* into the cabinet base cut-out *Fig. 6 (1)*.
- ▶ From the back side, slide the snap-fits *Fig. 6 (2)* into the grille until the hooks make contact with the cabinet base.
- ▶ Completely mount cabinet base (with ventilation grille and snap-fits) to kitchen cabinet.

Kitchen Cabinet Construction

4.2 Designing the Kitchen Cabinet

Install the appliance in stable kitchen cabinets only.

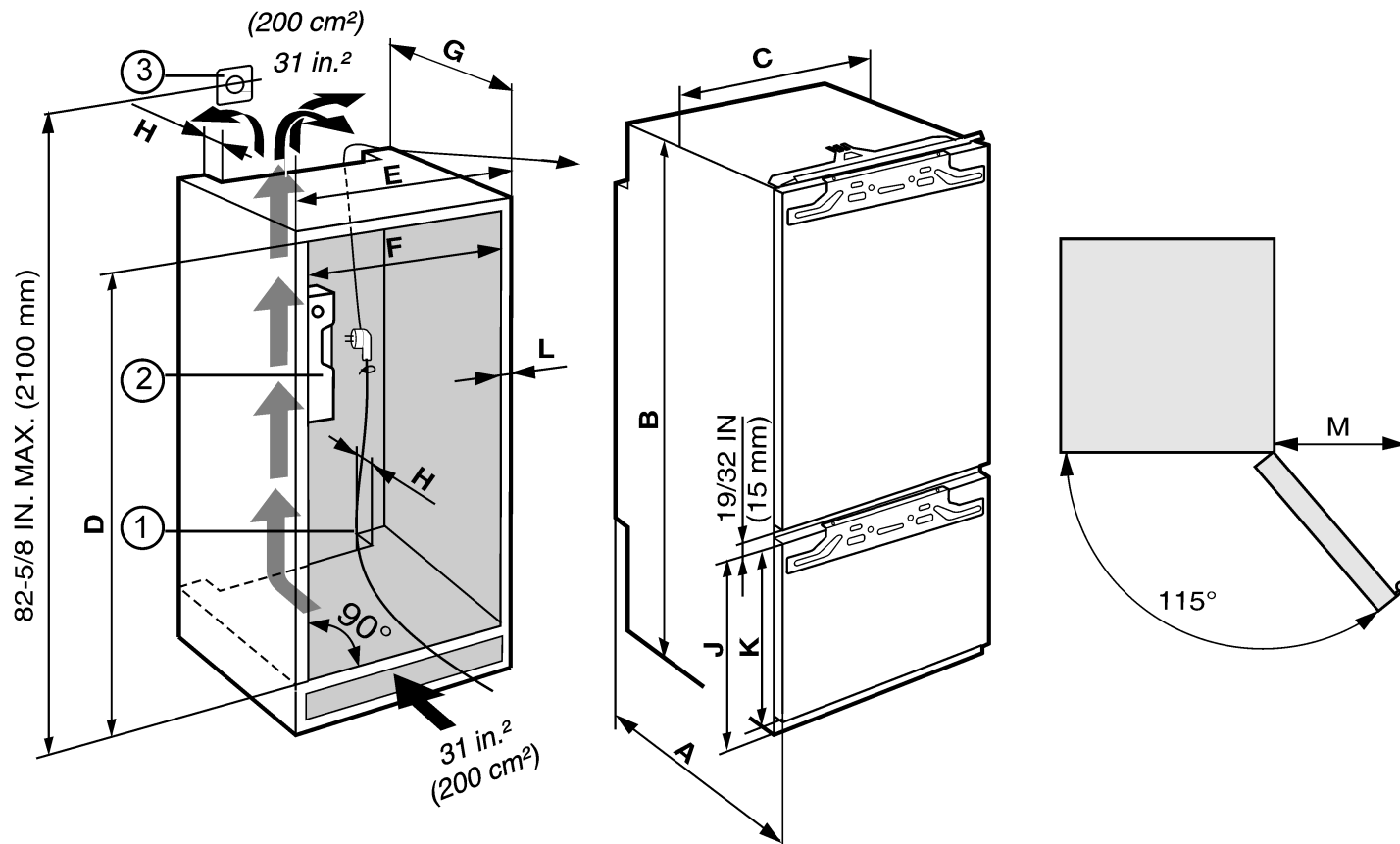


Fig. 6

1 Fish line for power cord

2 Level

3 Electrical outlet

A 21-7/32 in. (539 mm)

B 69-43/64 in. (1769.5 mm)

C 21-15/16 in. (557 mm)

D 69-3/4 in. - 70-25/64 in. (1772 mm) - (1788 mm)

E 24 in. (609.6 mm) (American Style Cabinet)

F 23-5/8 in. (600 mm) (European Style Cabinet)

G 21-21/32 in. (550 mm)

H 1-1/2 in. (38 mm)

J 27-23/64 in. (695 mm)

K 24-3/4 in. (629 mm)

L max. 3/4 in. (19 mm)

M 9-21/32 in. (245 mm)

► Construct the kitchen cabinet using the dimensions shown in Fig. 6.

► Align the kitchen cabinet with a level Fig. 6 (2) and a square. If necessary, shim underneath the cabinet to make it level.

▷ The floor and side walls must be at right angles to each other.

The joint between the upper and the lower kitchen cabinet door must align with the joint between the upper and lower appliance door.

Follow distance M to the wall to allow the drawers to be pulled out properly.

► Follow the dimensions provided in Fig. 6.

Kitchen Cabinet Construction

4.3 Designing the Kitchen Cabinet Doors

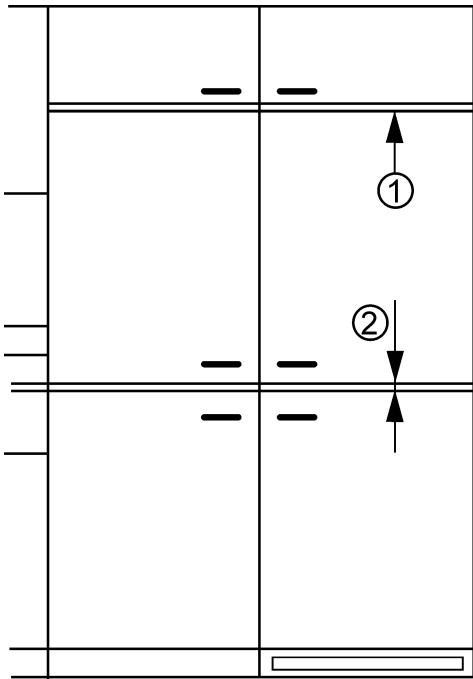


Fig. 7

You need two doors for the kitchen cabinet, one on top for the refrigerator compartment, and one on the bottom for the freezer compartment.

In general, the doors have these characteristics:

- The doors should be at least 5/8 in. (16 mm) and max. 3/4 in. (19 mm) thick to allow the connecting rails to be fastened to them.
 - With both doors closed, there should be a minimum of 1/8 in. (3 mm) between the upper and lower doors.
 - Also, there should be an 1/8 in. (3 mm) clearance between the upper door and the cabinet door above it (if any).
 - The top edge of the upper door *Fig. 7 (1)* and lower door *Fig. 7 (2)* should be even with the doors of adjoining cabinet(s), if any.
 - The position of the joint between the kitchen cabinet doors must be level with the position of the joint *Fig. 7 (2)* between the appliance doors.
 - Adjust the door alignment before installing the appliance. It is impossible to adjust the door with the appliance installed.
- Check the installation dimensions according to *Fig. 6*.

Kitchen Cabinet Construction

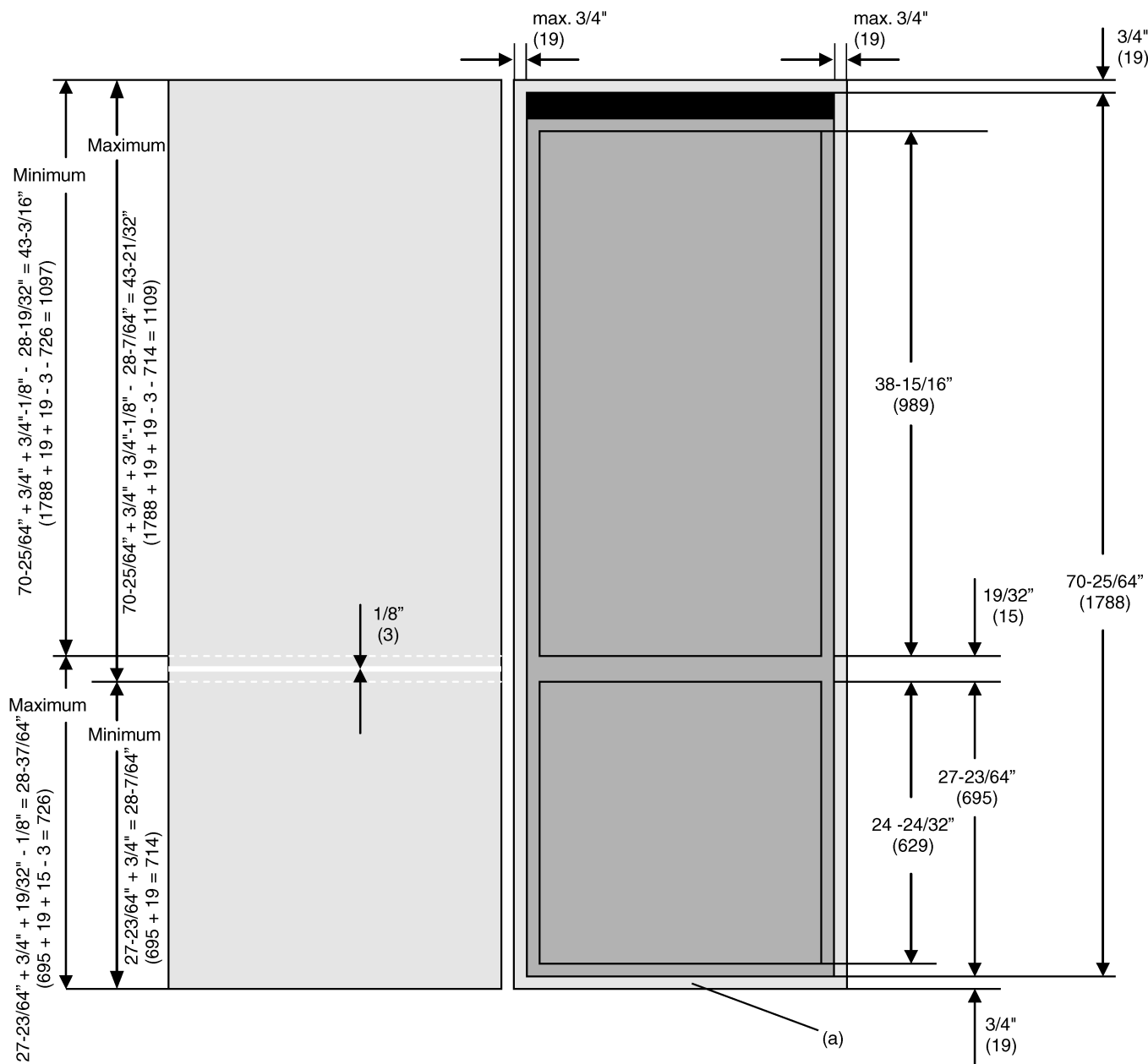


Fig. 7

The **freezer door height** is 24-24/32 in. (629 mm).

- ▶ To cover the lower part of the appliance: increase the height of the panel to 27-23/64 in. (695 mm).

The thickness of the floor board is usually 3/4 in. (19 mm).

- ▶ To cover the face side of the floor board *Fig. 7(a)*: increase the height of the panel to 27-23/64 in. + 3/4 in. = 28-7/64 in. (695 mm + 19 mm = 714 mm).

There is a gap of 19/32 in. (15 mm) between the freezer door and the refrigerator door of the appliance.

Of course, the final door height depends on the gap position of the cabinets that stand to the left and right of the appliance cabinet.

If there is other furniture standing close to the appliance cabinet this furniture typically has a gap between two drawers or two doors. Depending on your kitchen, these gaps are approximately 1/8 in. (3 mm) wide.

- ▶ In this case, increase the height of the panel to 27-23/64 in. + 3/4 in. + 19/32 in. - 1/8 in. = 28-19/32 in. (695 mm + 19 mm + 15 mm - 3 mm = 726 mm).

The height of the **refrigerator door panel** is:

- ▶ The total opening of the cabinet (i.e. 70-25/64 in. (1788 mm)) plus the thickness of the top as well as the floor board (usually 3/4 in. (19 mm)) minus the height of the freezer door panel (xxx in. (xxx mm)) as calculated above and subtract the width of the gap (approximately 1/8 in. (3 mm)): 70-25/64 in. + 3/4 in. + 3/4 in. - xxx in. - 1/8 in. = 71-49/64 in. - xxx in. (1788 mm + 19 mm + 19 mm - xxx mm - 3 mm = 1823 mm - xxx mm)

5 Water supply*



WARNING

Electrical Shock Hazard!

- ▶ Do not make the water connection while the appliance is connected to an electrical outlet.
- ▶ Disconnect the water supply before connecting the water lines for the IceMaker.
- ▶ The connection to the water supply may only be made by a trained and licensed plumber.



WARNING

Poisoning Hazard!

- ▶ The water quality must comply with the drinking water regulations for the geographical area where the appliance is located.
- ▶ The IceMaker is designed exclusively to make ice cubes in quantities needed by a household and must only be operated with water appropriate for this purpose.

- The water pressure must be between 21.76 psi (1.5 bar) and 87.02 psi (6 bar).

- Water must be supplied to the appliance by means of a cold-water pipe that can withstand the operating pressure and conforms to hygiene regulations.

Use the supplied steel hose (59-1/16" (1.5 m)) to connect to the water supply. A 118-7/64" (3 m) hose is available from Customer Service. This hose must be installed by a qualified fitter.

- The connecting piece of the hose contains a filter with a gasket seal.

- A shut-off valve must be provided between the hose line and the domestic water supply, if necessary.

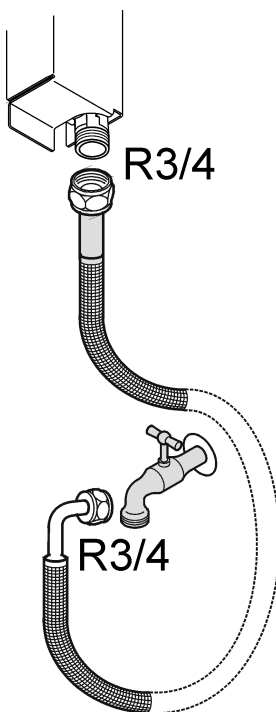
- All devices and fixtures used to supply water must comply with the regulations in force in the respective country.

- Do not damage or bend the water supply pipe during installation.

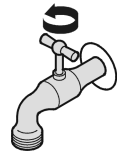
- ▶ Connect the straight portion of the supplied stainless steel hose to the solenoid valve.

The solenoid valve is located on the back of the appliance at the bottom. The connecting dimension on the solenoid valve is 3/4".

- ▶ Connect the bent portion of the stainless steel hose to the shut-off valve.



- ▶ Open the shut-off valve of the water supply pipe and check the entire water system to ensure there are no leaks. Before initial operation:
- ▶ Have a competent fitter bleed the water supply pipe.



6 Installation

All installation components are supplied with the appliance.

(11) 8x	(20) 1x		
(23) 2x	(24) 2x	(26) 19 mm SW 5 1x	(22) 1x
(39) 2x	(40) 6x	(38) 2x	
(28) Torx® 25 2x M5 x 22	(41) Torx® 15 28x ø 4 x 14	(29) Torx® 15 11 x ø 4 x 19	
(61) 2x ø 3,5 x 8	(37) 1x 7-10	(34) 6x	(35) 6x Torx® 20
(55) 2x M5x22	(54) 1x	(60) 1x	
(53) 2x	(51) Torx® 25 2x M5x15	(50) 2x	

Fig. 8

Make sure you have the following tools on hand:

- Cordless Torx 15, 20, 25 screwdrivers
- Hexagonal wrench 13

The floor and side walls of the unit must be at right angles to one another. Level the unit using a spirit level and set square. If necessary, level up by placing something underneath.

The appliance can also be built into a normal kitchen cabinet. In this case, detach the fittings on the unit door and the recess. They are no longer needed, as the unit door is fitted to the appliance door.

Note

- ▶ Before assembling the unit door, make sure that the permitted weight for the unit doors is not exceeded.
- ▶ Otherwise damage to the hinges and malfunctions arising from this cannot be ruled out.

	Maximum weight of unit door
Fridge compartment door	30.5 in. (14 kg)
Freezer compartment door	26.5 in. (12 kg)

Installation

6.1 Assembling the appliance

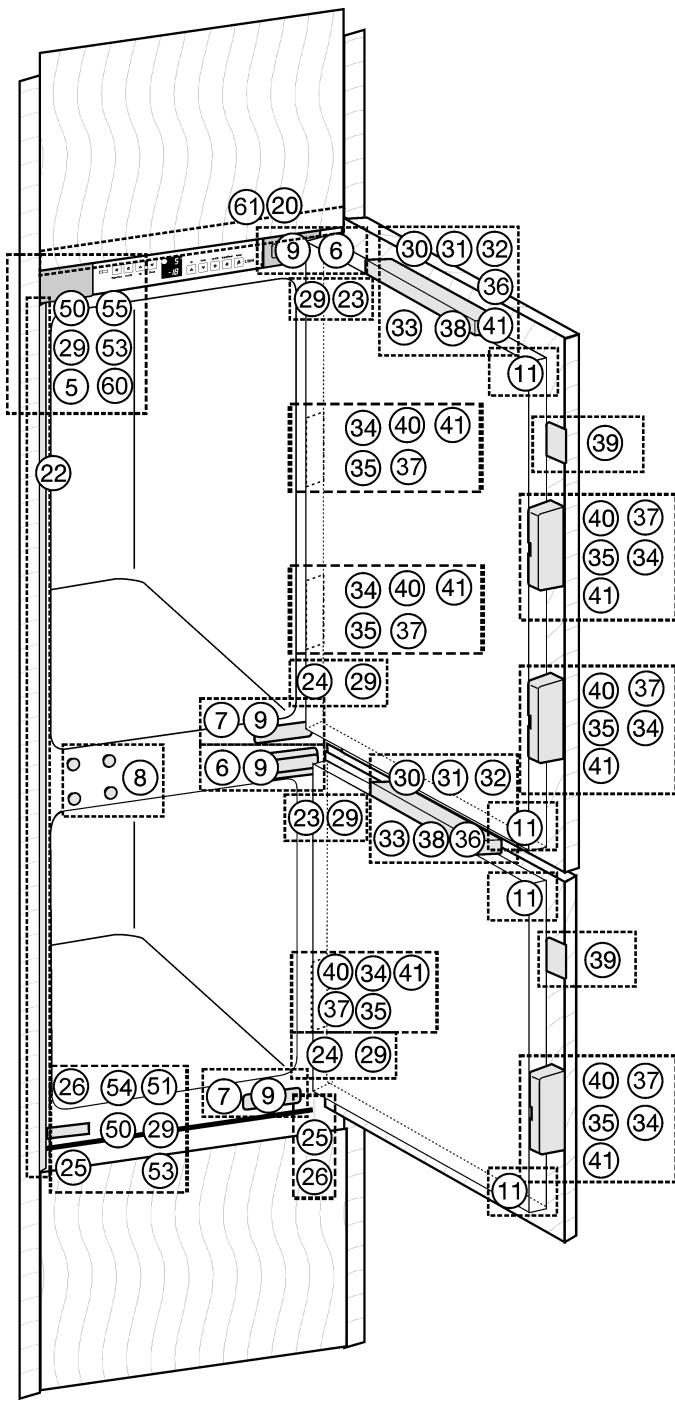


Fig. 9

- ▶ Remove the power supply cable from the back of the appliance. Also remove the cable holder, otherwise there will be vibration noise!
- ▶ Position the power supply cable using a piece of string so that the appliance can easily be connected to the electricity supply after it has been installed.



Fig. 10

For appliances with a fixed water supply for the IceMaker:

- ▶ Connect the IceMaker as indicated the section entitled Water Supply.*
- ▶ Push the appliance 3/4 of the way into the recess.
- ▶ Remove the covers (5,6,7).
- ▶ Screw Fig. 11 (61) the equalizer trim Fig. 11 (20) to the appliance through the oblong holes on top.

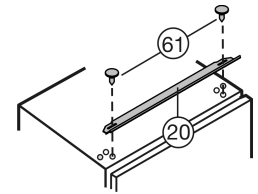


Fig. 11

- ▶ Fasten all mounting brackets Fig. 12 (34) with hex head screws Fig. 12 (35) to the pre-bored holes in the appliance door.

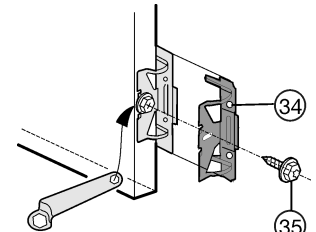


Fig. 12

With 5/8 " (16 mm) thick unit walls = 22-23/64 " (568 mm) wide recess:

- ▶ Clip a spacer Fig. 13 (23) onto the upper hinges and a spacer Fig. 9 (24) onto the lower hinges.
- ▶ Attach the top and bottom covers Fig. 14 (53) to the mounting brackets Fig. 14 (50).
- ▶ Fasten the mounting brackets Fig. 14 (50) at the top with screws Fig. 14 (55) and at the bottom with screws Fig. 9 (51) such that the bracket can still be moved slightly to the left and to the right.

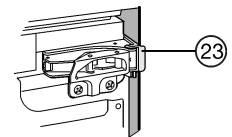


Fig. 13

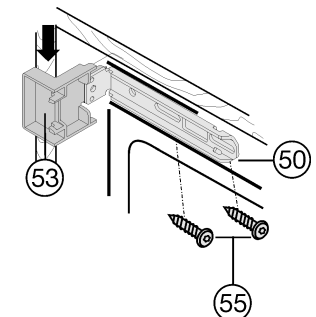


Fig. 14

- ▶ Remove the protective film from the trim Fig. 15 (22). Attach the trim Fig. 15 (22) on the handle side and flush with the front to the projecting edge of the cover Fig. 14 (53) and glue to the sidewall of the appliance.
- ▶ To shorten the trim Fig. 15 (22) at the bottom, if necessary: Position the cover Fig. 9 (54) on the bottom mounting bracket Fig. 14 (50) and shorten the trim Fig. 15 (22) so that it is flush with the upper edge of the cover.
- ▶ Remove the cover Fig. 9 (54) again.

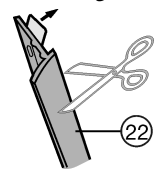


Fig. 15

To slide the appliance in and align it:

With 5/8 " (16 mm) thick unit walls = 22-23/64 " (568 mm) wide recess:

- ▶ Allow the spacers on the side wall of the unit to butt up against the appliance.

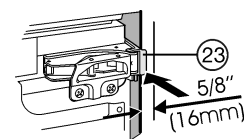


Fig. 16

With 3/4 " (19 mm) thick unit walls = 22-1/8 " (562 mm) wide recess:

- ▶ Align the front edges of the hinges flush with the side wall of the unit.

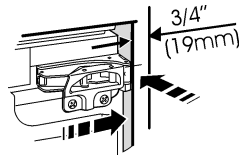


Fig. 17

For units (5/8 " (16 mm) and 3/4 " (19 mm) with door stop components (knobs, sealing lips, etc.):

- ▶ Allow for the additional distance (depth of door stop components). Allow the hinges to protrude by the additional distance.
- ▶ Slide the appliance in until it comes into contact with the covers Fig. 14 (53) on the side wall of the unit. Fig. 14
- ▶ Adjust the adjustable feet Fig. 9 (25) with the supplied open-ended wrench Fig. 9 (26) to align the appliance vertically.
- ▷ The appliance is now correctly positioned in depth. The gap between the front edge of the side wall of the unit and the body of the appliance is 1-21/32 " (42 mm) all the way around. (Allow for door stop components, such as knobs and sealing lips.)

Note

Malfunction due to incorrect assembly!

If the spacing is not correct, the door may not close. This can cause icing up, the formation of condensate, and malfunctions.

- ▶ A continuous space of 1-21/32 " (42 mm) must be maintained. (Allow for door stop components, such as knobs and sealing lips.)

To secure the appliance in the recess:

- ▶ Screw chipboard screws Fig. 18 (29) on both doors at the top and at the bottom through the hinge plates.

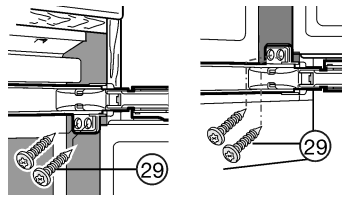


Fig. 18

On the handle side at the top:

- ▶ Slightly loosen the screws Fig. 19 (55).
- ▶ Secure the top mounting bracket Fig. 19 (50) to the unit wall with a ø4x19 chipboard screw Fig. 19 (29).
- ▶ Break off the protruding end of the cover Fig. 19 (53).

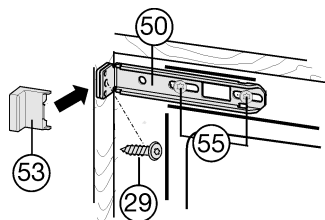


Fig. 19

- ▶ Tighten the screws Fig. 19 (55).

- ▶ Place the cover Fig. 19 (53) in position.

On the handle side at the bottom:

- ▶ Slightly loosen the screws Fig. 20 (51).
- ▶ Secure the bottom mounting bracket Fig. 20 (50) to the unit wall with a ø4x19 chipboard screw Fig. 20 (29).
- ▶ Break off the protruding end of the cover Fig. 20 (53).
- ▶ Tighten the screws Fig. 20 (51).
- ▶ Place the cover Fig. 20 (54) into position on the bottom mounting bracket Fig. 20 (50).
- ▶ Slide the equalizer trim Fig. 11 (20) toward the handle side as far as it will go.
- ▶ Close the appliance door.

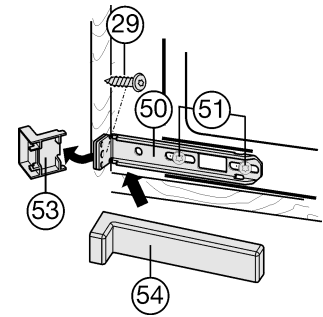


Fig. 20

6.2 Fitting the unit doors

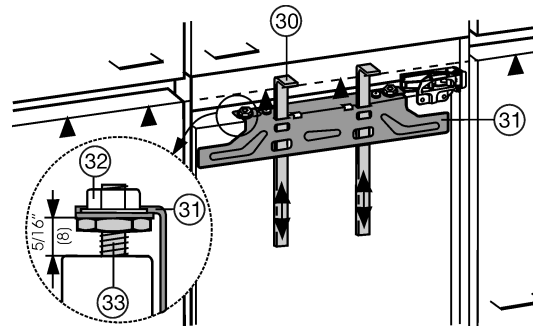


Fig. 21

The fitting aids Fig. 21 (30) are required for both doors. You must therefore fit the unit doors one after the other.

- ▶ Verify the 5/16 " (8 mm) presetting. (Distance between appliance door and lower edge of crosspiece)
- ▶ Raise the fitting aids Fig. 21 (30) to the unit door height. Bottom stop edge ▲ of fitting aid = top edge of unit door to be fitted.
- ▶ Unscrew the crosspiece Fig. 22 (31) by undoing the locknuts Fig. 22 (32).
- ▶ Hang the crosspiece Fig. 22 (31) on the inside of the unit door using the fitting aids Fig. 22 (30).

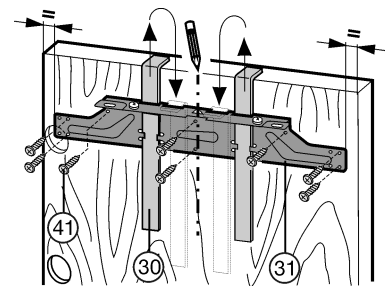


Fig. 22

For a 23-5/8 " (600 mm) wide recess:

- ▶ To center the crosspiece Fig. 22 (31): Mark a short center line on the unit door and place the tip of the arrow on the crosspiece over it.

- ▷ Distances to the outer edges are the same to the right and to the left.

For a 24 " (609.6 mm) wide recess:

Installation

- ▶ To align the crosspiece *Fig. 22 (31)*: Mark a short center line on the unit door and place the tip of the arrow on the crosspiece over it. Now shift the crosspiece *Fig. 22 (31)* 7/32 " (5.5 mm) towards the hinge side.

For chipboard doors:

- ▶ Fasten the crosspiece *Fig. 22 (31)* with at least 6 screws *Fig. 22 (41)*.

For frame and panel doors:

- ▶ Fasten the crosspiece *Fig. 22 (31)* with 4 screws *Fig. 22 (41)* at the edge.
- ▶ Lift up the fitting aids *Fig. 22 (30)*, turn them around, and insert them into the adjacent openings.

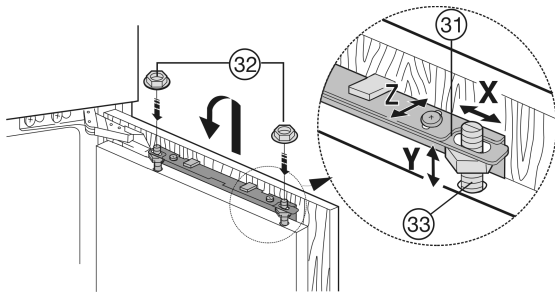


Fig. 23

- ▶ Attach the unit door on the adjusting bolts *Fig. 23 (33)* and loosely screw the locknuts *Fig. 23 (32)* onto the adjusting bolts.
- ▶ Close the door.
- ▶ Check the gap between the door and the surrounding unit doors.
- ▶ To laterally align the unit door: Move the unit door in the **X** direction.
- ▶ To align the unit door in height and in lateral inclination: Adjust the adjusting bolts *Fig. 23 (33)* with a screwdriver.
- ▶ The unit door is flush and in alignment with the surrounding unit fronts.
- ▶ Tighten the locknuts *Fig. 23 (32)*.

Ensure that both metal edges are flush, symbol //:

- ▶ Drill pilot holes in the door of the unit (you could make a preliminary hole with a Bradawl).

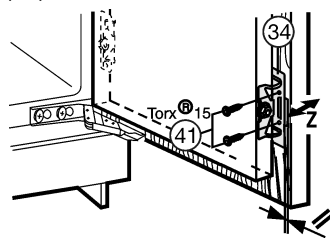


Fig. 24

- ▶ Fasten the appliance door to the unit door with screws *Fig. 24 (41)* through the mounting brackets *Fig. 24 (34)*.

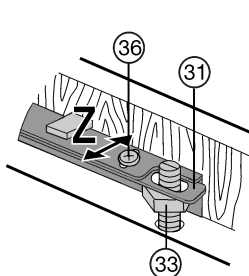
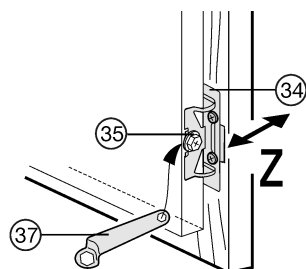


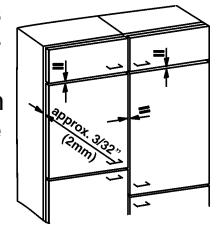
Fig. 25



- ▶ To align the unit door in depth **Z**: Undo the screws *Fig. 25 (36)* at the top and the hex head screws *Fig. 25 (35)* at the bottom using the ring wrench *Fig. 25 (37)* supplied, then move the door.

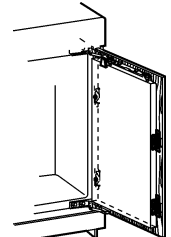
- ▶ Do not allow the knobs and sealing lips to come into contact with the door - important for function!

- ▶ Set an air gap of 5/64 " (2 mm) between the door of the unit and the body of the unit.



For large unit doors:

- ▶ Fit a 3rd pair of mounting brackets *Fig. 25 (34)*.
- ▶ Use the holes pre-drilled in the handle area of the appliance door for this purpose.



- ▶ Check the fit of the door and re-adjust, if necessary.
- ▶ Tighten all screws.

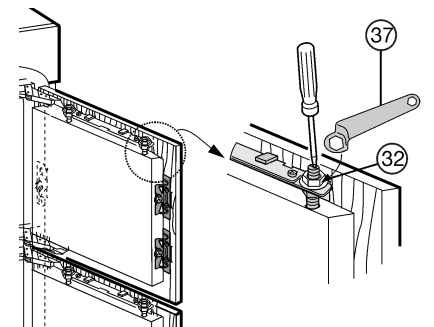


Fig. 26

- ▶ Tighten the locknuts *Fig. 26 (32)* with the ring wrench *Fig. 26 (37)* while bracing the adjusting bolts *Fig. 26 (33)* with a screwdriver.

- ▶ Position the upper covers *Fig. 27 (38)* and snap into place.

- ▶ Place the side covers *Fig. 27 (39)* in position, slide to the limit and then press until they snap audibly into place.

- ▶ Attach the covers *Fig. 27 (40)* to the side and then draw them forward with a screwdriver, so that they snap properly into place.

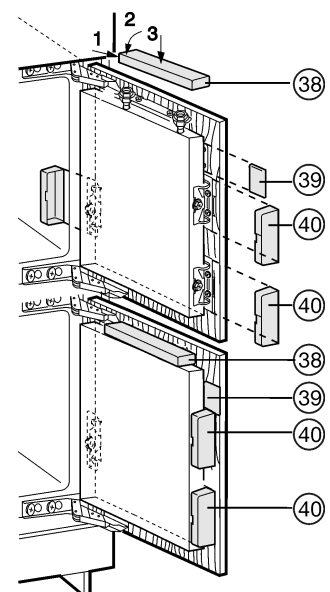


Fig. 27

For a 24 " (609.6 mm) wide recess:

- ▶ Position the covers *Fig. 9 (6,7,60)* and snap into place.

For a 23-5/8 " (600 mm) wide recess:

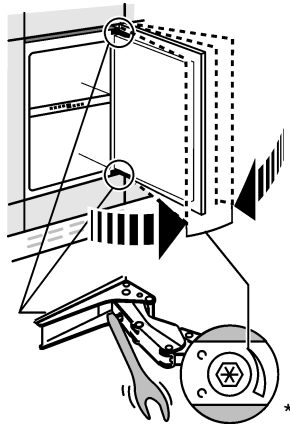
- ▶ Position the covers *Fig. 9 (5,6,7)* and snap into place.

Connecting the appliance

For **appliances without a stop mechanism**, adjust the opening resilience:

The opening resilience of the door can be adjusted if necessary using the Allen wrench supplied:*

- ▶ For more spring force: Turn clockwise.*
- ▶ For less spring force (factory setting): Turn counterclockwise.*
- ▶ Attach the remaining covers to the hinges.*



- Follow all Federal, State and local electrical, fire and building codes and ordinances when installing the receptacle and / or the appliance.
- In some communities, a wall switch is required to turn power to the appliance ON and OFF.
- To reduce the risk of fire, electric shock, or personal injury, installation work and electrical wiring must be done by a qualified electrician in accordance with all applicable codes and standards, including fire-rated construction.
- You are advised to clean the appliance before switching it on the first time (see Cleaning).
- The top of the electric outlet must be located within 82-5/8 in. (2100 mm) from the top of the base in the cabinet.

Check the following points to ensure that the appliance has been installed correctly. Incorrect installation can cause icing up, the formation of condensate, and malfunctions:

- ▷ The door must close properly.
- ▷ The door of the unit must not touch the body of the unit.
- ▷ The seal at the top edge on the handle side must fit tightly.
To verify this, darken the room, place a flashlight inside the appliance near the top, and close the door. If you see light shining through, check the assembly.

7 Connecting the appliance



WARNING

Electrical shock hazard!

- ▶ Start-up should only take place once the appliance has been installed according to these instructions.
- ▶ Electrically ground appliance.
- ▶ Do not ground to a gas pipe.
- ▶ Check with a qualified electrician if you are not sure the appliance is properly grounded.
- ▶ Do not have a fuse in the neutral or grounding circuit.
- ▶ Do not use an extension cord or a multiple socket.
- ▶ Do not use a power cord that is frayed or damaged.



WARNING

Electrical shock hazard!

This appliance is equipped with a three-prong (grounding) polarized plug for your protection against possible shock hazards. Electrical Grounding Required.

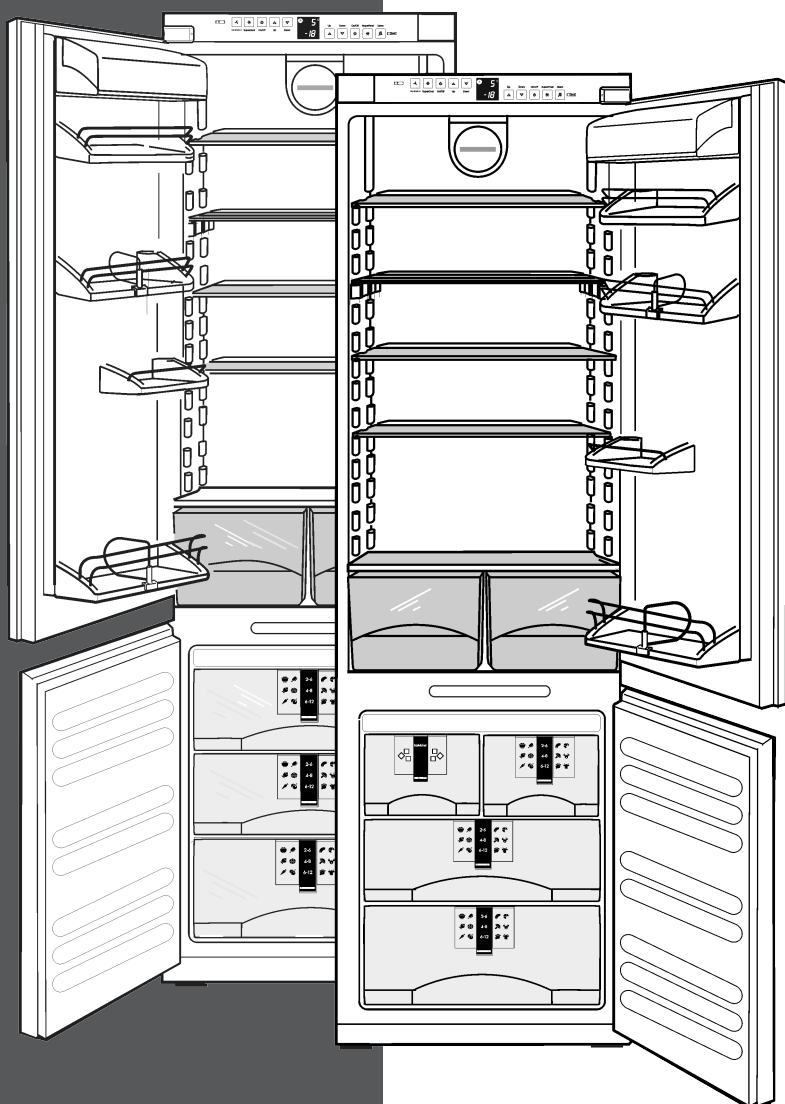
- ▶ Do not remove the round grounding prong from the plug.
- ▶ Do not use a two-prong grounding adapter.

- Wait 30 minutes up to 1 hour after installation before you plug in the appliance. This allows the refrigerant and system lubrication to reach equilibrium.
- Make sure incoming voltage is the same as the appliance rating. A 110-120 Volt, 60 Hz, 15 Amp electrical supply (20 Amp for side-by-side installations) circuit that is controlled by a circuit breaker or fuse is required.
- We recommend using a dedicated circuit for this appliance to prevent electrical overload.

LIEBHERR

Instructions de montage

Combiné réfrigérateur-
congélateur, intégrable, porte
oscillante



HC 1011/1060 HC 1001/1050
7084000 - 00

Consignes de sécurité générales

Sommaire

1	Consignes de sécurité générales.....	15
2	Mise en place de l'appareil.....	15
3	Changement de la butée de la porte.....	16
3.1	Démonter l'amortisseur de fermeture.....	16
3.2	Changer la butée de la porte.....	16
3.3	Remonter les amortisseurs de fermeture.....	17
4	Réalisation du meuble de cuisine.....	17
4.1	Ventilation et aération dans le meuble de cuisine.....	17
4.2	Réalisation du meuble de cuisine.....	19
4.3	Réalisation des portes du meuble	20
5	Prise d'eau.....	22
6	Montage.....	22
6.1	Monter l'appareil.....	23
6.2	Monter les portes du meuble.....	25
7	Brancher l'appareil.....	27

Le fabricant de cet appareil s'efforce d'améliorer tous les types et modèles de sa gamme. Il se réserve donc le droit d'apporter des modifications concernant la forme, l'équipement et les caractéristiques techniques de ses appareils.




Afin de vous familiariser avec les avantages de votre nouvel appareil, lire attentivement les indications contenues dans ces instructions de service.

Ces instructions sont valables pour plusieurs modèles, des déviations sont donc possibles. Les paragraphes concernant uniquement certains appareils sont identifiés par une petite étoile (*).

Les instructions de manipulation sont identifiées par un ► et les résultats des manipulations par ▷.

1 Consignes de sécurité générales

Lire et respecter les instructions suivantes. Elles contiennent des consignes de sécurité qui sont importantes pour garantir une installation fiable et un fonctionnement impeccable. Toujours lire et respecter les consignes de sécurité!

	DANGER	Signale une situation imminente dangereuse pouvant entraîner la mort ou des blessures graves si elle n'est pas évitée.
	AVERTISSEMENT	Signale une situation dangereuse pouvant entraîner la mort ou des blessures graves si elle n'est pas évitée.
	PRUDENCE	Signale une situation dangereuse pouvant entraîner la mort ou des blessures moyennes ou légères si elle n'est pas évitée.

	ATTENTION	Signale une situation dangereuse pouvant se traduire par des dégâts matériels si elle n'est pas évitée.
--	------------------	---

	Remarque	Désigne des remarques et astuces utiles.
--	-----------------	--

Il est important de respecter les directives et consignes de ces instructions afin d'assurer l'installation et le fonctionnement corrects de l'appareil. Lisez et comprenez toutes les informations de ces instructions avant d'installer l'appareil.

2 Mise en place de l'appareil



AVERTISSEMENT

Risque d'incendie dû à l'humidité !

Lorsque des composants conducteurs ou le câble de raccordement au réseau deviennent humides, ceci peut entraîner un court-circuit.

- L'appareil a été conçu pour une exploitation dans des locaux fermés. Ne pas exploiter l'appareil à l'extérieur ou dans des zones humides ou exposées aux eaux projetées.



AVERTISSEMENT

Risque d'incendie et d'endommagement !

- Ne pas placer des appareils dégageant de la chaleur (p. ex. micro-ondes, grille-pain, etc.) sur votre appareil !



PRUDENCE

Danger de blessure!

- L'appareil doit être porté par deux personnes à son lieu d'emplacement.

ATTENTION

Risque de dommage par eau de condensation

Si votre appareil Liebherr est placé à côté d'un autre réfrigérateur ou congélateur, il risque d'être endommagé par la formation d'eau de condensation.

- Eviter d'installer votre appareil à côté d'autres réfrigérateurs ou congélateurs à moins qu'il ne s'agisse également d'appareils de la marque Liebherr. Les appareils Liebherr sont conçus pour une mise en place côte à côte. Ils sont équipés d'un dispositif chauffant éliminant l'eau de condensation au cas où des réfrigérateurs ou congélateurs seraient disposés côte à côte.

ATTENTION

Risque de dommage pour le sol!

- Protéger le sol en le couvrant avant de retirer les matériaux d'emballage de l'appareil.

S'assurer que:

- le sol du lieu de mise en place de l'appareil est plat et horizontal.

Changement de la butée de la porte

- ❑ la capacité porteuse du sol est conçue pour le poids de l'appareil ainsi que 1200 livres (544 kg) de denrées.
- ❑ l'appareil n'est pas exposé aux rayons de soleil directs sur le lieu de sa mise en place et qu'il n'est pas installé pas à proximité d'un four, d'un plan de cuisson, d'un radiateur de chauffage ou autres sources de chaleur.
- ❑ le meuble de cuisine dans lequel est monté l'appareil est mis à niveau si le sol n'est pas plat.
- ❑ le fusible est bien adapté.
- ❑ la prise de courant est disposée selon les normes.
- ❑ l'aération et la ventilation ne sont pas obstruées. Pour un bon fonctionnement de l'appareil une aération et ventilation suffisantes sont nécessaires. Les grilles d'aération mises en place par l'usine assurent une section d'aération efficace sur un appareil de 31 pouces² (200 cm²). Si la grille d'aération est remplacée par un panneau, sa section d'aération doit au moins égale ou même plus élevée que la grille d'aération du fabricant.
- ▶ Vérifiez l'appareil et les matériaux d'emballage pour dommages de transport. Consultez sans délai le fournisseur si des dommages quelconques sont constatés.
- ▶ Notez le type (modèle, numéro), la désignation de l'appareil, le numéro de l'appareil / de série, la date d'achat et l'adresse du commerçant dans les champs prévus à cet effet au chapitre « Informations appareil ».
- ▶ Retirez tous les matériaux de la face arrière ou des parois latérales de l'appareil qui risqueraient d'empêcher une mise en place, une aération ou ventilation correcte.

Si l'appareil est mis en place dans un environnement très humide, de l'eau de condensation risque de se former sur l'extérieur de l'appareil.

- ▶ Toujours assurer une bonne aération et ventilation sur le lieu de la mise en place.

3 Changement de la butée de la porte

S'assurer que les outils suivants soient disponibles :

- ❑ Clé mâle à six pans 13
- ❑ Tournevis à accu Torx 15, 20, 25, 30

Glisser l'appareil au 2/3 dans la niche.

Retirer la fiche de la prise.

Ouvrir la porte.

3.1 Démontez l'amortisseur de fermeture*



PRUDENCE

Risque de blessures lorsque l'amortisseur de fermeture se contracte !

- ▶ Le démonter prudemment.

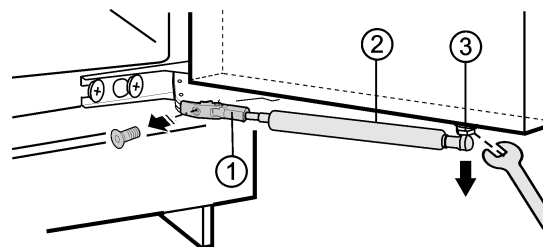


Fig. 1

- ▶ Dévisser le support Fig. 1 (1).
- ▶ Dévisser le pivot à rotule Fig. 1 (3) ensemble avec l'amortisseur de fermeture Fig. 1 (2) de la porte et le mettre de côté.

3.2 Changer la butée de la porte

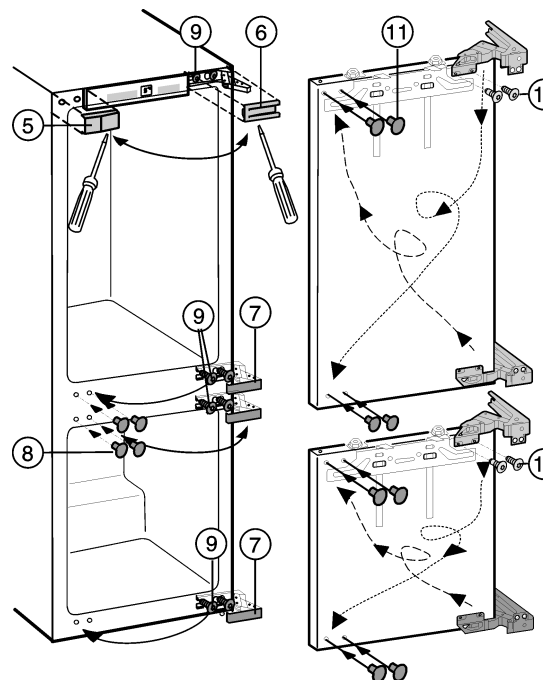


Fig. 2

- ▶ Soulever les caches Fig. 2 (5, 6, 7, 8) avec un tournevis pour vis à fentes.
- ▶ Seulement desserrer les vis Fig. 2 (9) en haut et en bas au corps de l'appareil.
- ▶ Pousser la porte vers l'extérieur et la décrocher.
- ▶ Intervertir les vis Fig. 2 (9) sur le côté opposé et les visser provisoirement.



PRUDENCE

Risque de blessures lorsque les charnières se replient !

- ▶ Laisser les charnières ouvertes.
- ▶ Dévisser les vis Fig. 2 (10) et retourner la charnière en diagonale.
- Les vis Fig. 2 (10) sont auto-taraudantes : Utiliser le tournevis à accu.
- ▶ Visser les charnières à fond.
- ▶ Fermer les anciens Fig. 2 (11) trous de fixation avec les bouchons.
- ▶ Accrocher les portes dans les vis Fig. 2 (9) montées au préalable et serrer à fond les vis.

Réalisation du meuble de cuisine

3.3 Remonter les amortisseurs de fermeture*

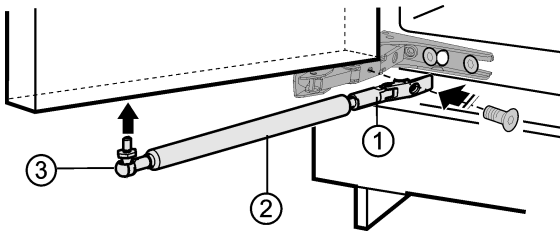
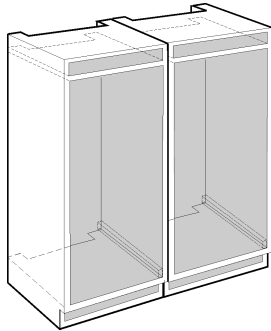


Fig. 3

- ▶ Visser le support Fig. 3 (1).
- ▶ Visser le pivot Fig. 3 (2) à rotule avec l'amortisseur de fermeture Fig. 3 (2) dans le trou de fixation.
- ▶ Remettre en place tous les caches Fig. 2 (5,6,7,8).

4 Réalisation du meuble de cuisine

L'appareil est un réfrigérateur à encastrer et sera donc inséré dans un meuble de cuisine. Le meuble de cuisine concerné doit être exécuté dans les dimensions indiquées et doit disposer d'une aération et d'une ventilation suffisante pour assurer le bon fonctionnement de votre appareil. En cas de mise en place côte à côte, prévoyez un meuble de cuisine individuel pour chaque appareil.



Faites installer l'appareil dans votre meuble de cuisine par un spécialiste.

4.1 Ventilation et aération dans le meuble de cuisine

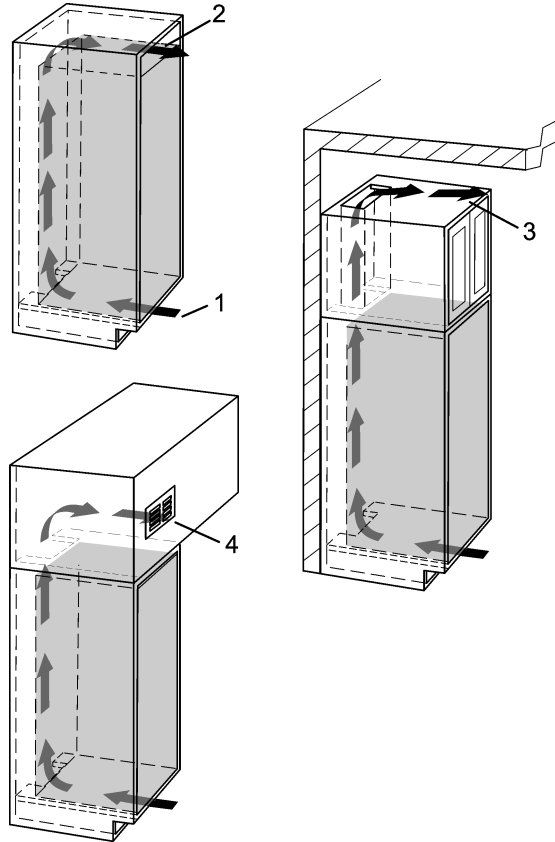


Fig. 4

- Prévoir une section d'aération efficace d'au moins 31 pouces² (200 cm²) sur l'entrée Fig. 4 (1) et la sortie d'air Fig. 4 (2).
- La section supérieure d'aération peut soit parvenir directement au dessus de l'appareil Fig. 4 (2), au dessus d'un élément de l'armoire Fig. 4 (3) soit sous forme d'une ouverture de proximité du plafond et d'une évacuation d'air intégrée à un faux plafond Fig. 4 (4).

Réalisation du meuble de cuisine

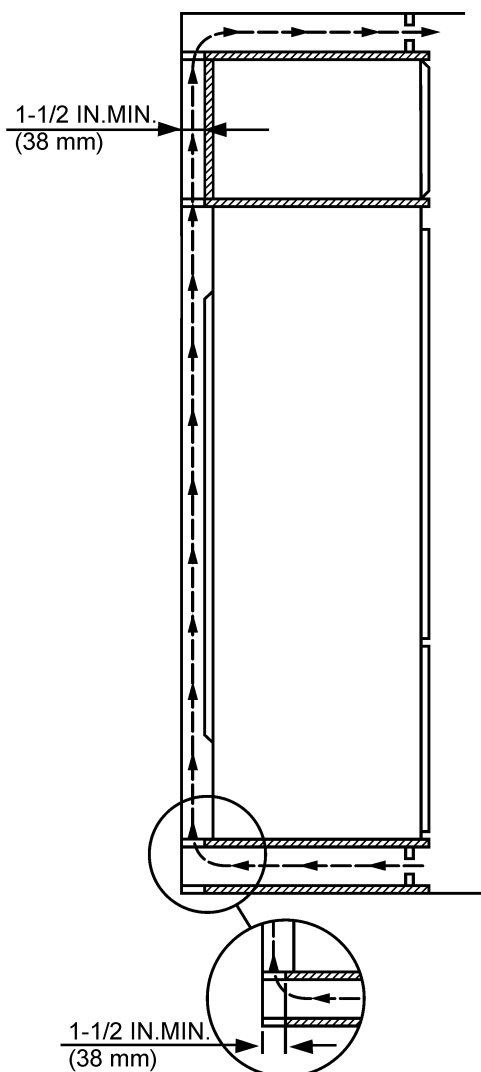


Fig. 5

- Prévoir une cheminée d'aération (sans obstacles) située au dos du meuble de cuisine avec une profondeur d'au moins 1-1/2 pouce (38 mm).
- Respecter les distances indiquées ci-dessus entre la ventilation et l'aération.

La ventilation par le bas à partir du sol du meuble de cuisine peut être effectuée par la grille d'aération Fig. 6 (3) livrée ou par une ouverture de ventilation de surface de section d'au moins 31 pouces² (200 cm²). Si vous avez recours à la grille d'aération Fig. 6 (3) ci-jointe, suivez les étapes suivantes :

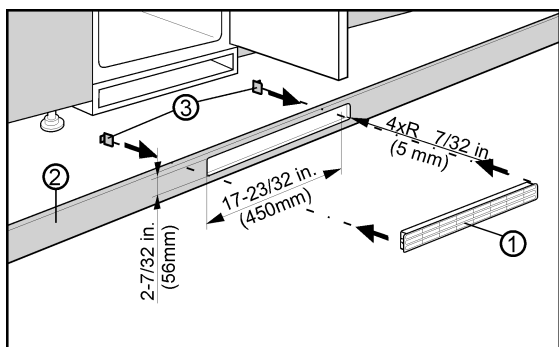


Fig. 6

- Prévoir une ouverture d'entrée d'air dans le plancher du meuble de cuisine de 17-23/32 pouces (450 mm) de largeur et 2-7/32 pouces (56 mm) de hauteur.
- Introduire la grille d'aération Fig. 6 (3) dans l'ouverture du plancher du meuble de cuisine Fig. 6 (1).
- Introduire les contacts à ressort Fig. 6 (2) par l'arrière de la grille jusqu'à ce que le crochet touche le plancher du meuble de cuisine.
- Monter le plancher du meuble de cuisine (avec la grille emboîtée) dans le meuble de cuisine.

Réalisation du meuble de cuisine

4.2 Réalisation du meuble de cuisine

Ne monter l'appareil que dans un meuble de cuisine stable.

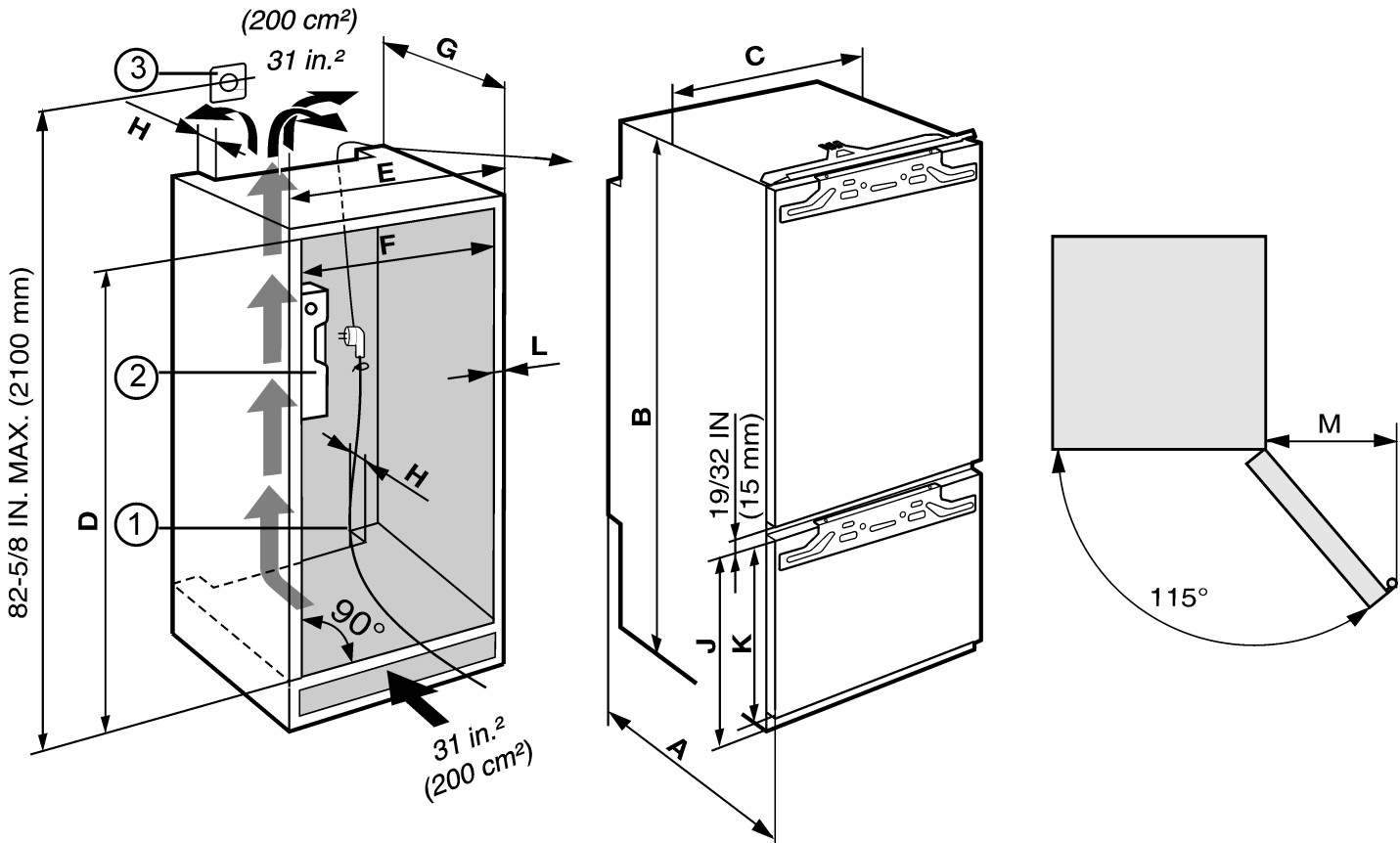


Fig. 6

- 1 Câble d'arrivée pour le câble de raccordement au réseau 2 Niveau à eau
3 Prise de courant électrique

A	21-7/32 pouces (539 mm)	B	69-43/64 pouces (1769.5 mm)
C	21-15/16 pouces (557 mm)	F	69-3/4 pouces - 70-25/64 pouces (1772 mm) - (1788 mm)
E	24 pouces (609.6 mm) (dimensions américaines)	F	23-5/8 pouces (600 mm) (dimensions européennes)
G	21-21/32 pouces (550 mm)	H	1-1/2 pouces (38 mm)
J	27-23/64 pouces (695 mm)	K	24-3/4 pouces (629 mm)
L	max. 3/4 pouces (19 mm)	M	9-21/32 pouces (245 mm)

- ▶ Monter le meuble de cuisine en vous référant Fig. 6 aux dimensions mentionnées.
- ▶ Ajuster le meuble de cuisine avec un niveau à eau Fig. 6 (2) et une équerre à chapeau. Mettre à niveau le meuble de cuisine, au besoin le caler.
- ▷ Le sol et les parois latérales doivent être d'équerre.

Le jeu entre la porte du meuble du haut et celle du bas doit correspondre au jeu entre la porte du haut et celle du bas de l'appareil.

Respecter la cote de distance M par rapport au mur afin de pouvoir tirer facilement les tiroirs.

- ▶ Respecter les cotes de montage indiquées Fig. 6.

Réalisation du meuble de cuisine

4.3 Réalisation des portes du meuble

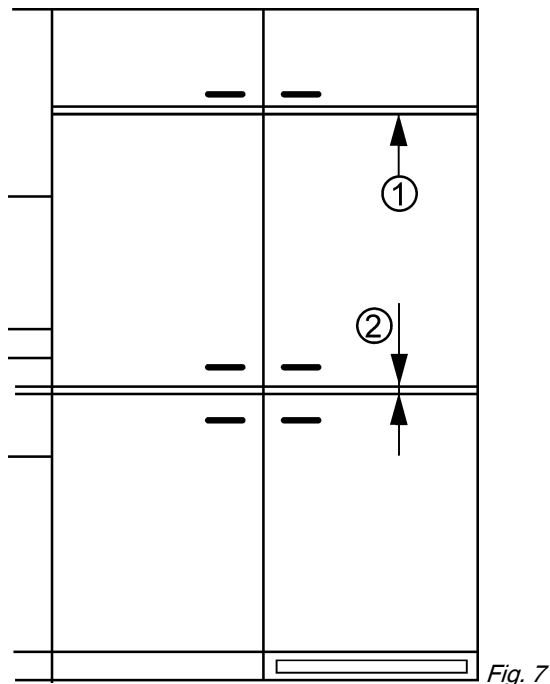


Fig. 7

Vous avez besoin de deux portes pour le meuble de cuisine: une porte supérieure pour le réfrigérateur et une inférieure pour le congélateur.

Les portes sont réalisées, en général de la façon suivante:

- Les portes doivent avoir une épaisseur minimum de 5/8 pouces ou de (16 mm) et maximum de 3/4 pouces ou de (19 mm) pour pouvoir y fixer les rails de jonctions.
 - Garder un jeu d'au moins 1/8 pouces ou (3 mm) entre la porte supérieure et la porte inférieure, lorsque les deux portes sont fermées.
 - Garder également un jeu d'au moins 1/8 pouces ou (3 mm) entre la porte supérieure et la porte de l'armoire située au dessus, si présente.
 - Garder à la même hauteur que les portes de l'armoire voisine (ou des armoires si présentes) les arêtes supérieures des portes du haut *Fig. 7 (1)* et du bas *Fig. 7 (2)*.
 - Garder à la même hauteur que le jeu entre les portes de l'appareil le jeu *Fig. 7 (2)* entre les portes du meuble.
 - Aligner les portes avant l'installation de l'appareil. Après l'installation de l'appareil, la position des portes ne peut plus être corrigée.
- Vérifier que les cotes de montage correspondent bien aux instructions *Fig. 6*.

Réalisation du meuble de cuisine

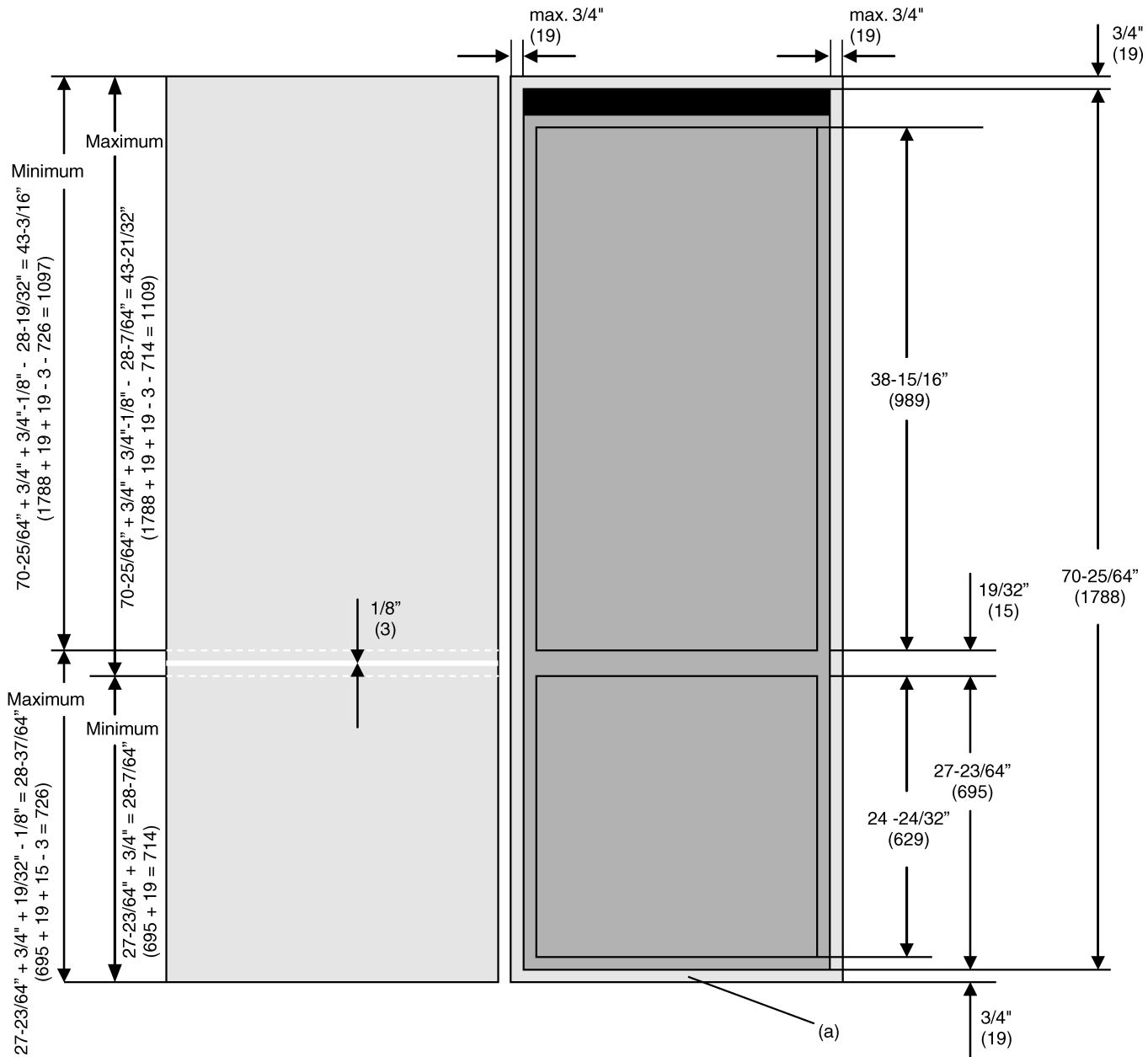


Fig. 7

La hauteur de la porte du congélateur est de 24-24/32 pouces (629 mm).

► Pour couvrir la section inférieure de l'appareil : rallonger la hauteur de la plaque à 27-23/64 pouces (695 mm).

L'épaisseur de la plaque de sol est en règle générale de 3/4 pouces (19 mm).

► Pour recouvrir la face frontale de la plaque de sol Fig. 7 (a) : rallonger la hauteur de la plaque à 27-23/64 pouces. + 3/4 pouces = 28-7/64 pouces (695 mm + 19 mm = 714 mm).

Il reste un jeu de 19/32 pouces (15 mm) entre la porte du congélateur et la porte du réfrigérateur de l'appareil.

Naturellement la hauteur définitive de la porte s'aligne sur la hauteur du jeu de porte du meuble de cuisine situé à droite et à gauche du meuble d'intégration de l'appareil.

Si d'autres éléments de meuble se situent à côté du meuble d'intégration de l'appareil, ceci auront un jeu entre deux tiroirs ou deux portes. Selon le modèle de votre cuisine ces jeux sont d'environ 1/8 pouces (3 mm) de large.

► Dans ce cas, la hauteur de la plaque doit être rehaussée de 27-23/64 pouces + 3/4 pouces + 19/32 pouces - 1/8 pouces = 28-19/32 in. (695 mm + 19 mm + 15 mm - 3 mm = 726 mm).

La hauteur de la porte de réfrigérateur résulte de :

Prise d'eau

- ▶ La hauteur totale de l'armoire (c.a.d. 70-25/64 pouces (1788 mm)) + l'épaisseur de la plaque couvrante + plaque de sol (habituellement 3/4 pouces (19 mm)) moins la hauteur de la porte du congélateur (xxx in. (xxx mm)) calculée comme ci-dessus, et moins le jeu (env. 1/8 pouces (3 mm)): 70-25/64 pouces + 3/4 pouces + 3/4 pouces - xxx pouces - 1/8 pouces = 71-49/64 in. - xxx in. (1788 mm + 19 mm + 19 mm - xxx mm - 3 mm = 1823 mm - xxx mm)

5 Prise d'eau*



AVERTISSEMENT

Risque de décharge électrique !

- ▶ Débranchez l'appareil de la prise avant de le raccorder à la conduite d'eau.
- ▶ Coupez l'alimentation en eau avant de raccorder les conduites d'arrivée d'eau du distributeur de glaçons.
- ▶ Le raccord au réseau d'eau potable doit être uniquement effectué par un plombier qualifié.



AVERTISSEMENT

Danger d'intoxication !

- ▶ La qualité de l'eau doit être conforme au décret sur l'eau potable du pays dans lequel l'appareil est utilisé.
- ▶ L'IceMaker sert uniquement à la production de glaçons pour un usage domestique et doit donc fonctionner avec de l'eau adaptée à cet usage.

- La pression de l'eau doit être entre 21.76 psi (1.5 bar) et 87.02 psi (6 bar).

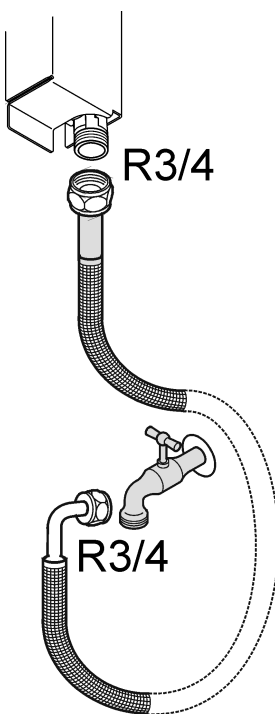
- L'arrivée d'eau à l'appareil doit être réalisée avec une conduite d'eau froide qui résiste à la pression de service et qui est conforme aux prescriptions d'hygiène.

Utilisez pour cela le tuyau en acier inoxydable joint (longueur 59-1/16 " (1.5 m)). Un tuyau de 118-7/64 " (3 m) est disponible au S.A.V.. Ce tuyau doit être monté par un spécialiste.

- Dans la pièce de raccordement du tuyau se trouve un filtre-collecteur avec joint.

- Un robinet d'arrêt doit être prévu entre la tuyauterie et la prise d'eau domestique afin de pouvoir fermer en cas de besoin l'arrivée d'eau.

- Tous les appareils et dispositifs utilisés pour l'arrivée de l'eau doivent satisfaire aux prescriptions en vigueur dans le pays respectif.



- Ne pas endommager ou plier le tuyau d'arrivée d'eau lors de l'installation.

- ▶ Raccorder la partie droite du tuyau en acier inoxydable joint à l'électrovanne.

L'électrovanne se trouve sur la face arrière de l'appareil en bas. La dimension de raccordement à l'électrovanne est de 3/4".

- ▶ Raccorder la partie coudée du tuyau en acier inoxydable au robinet d'arrêt.

- ▶ Ouvrir le robinet d'arrêt de l'arrivée d'eau et vérifier l'étanchéité du système d'eau complet. Avant la première mise en service :

- ▶ Faire purger la canalisation d'eau par un spécialiste compétent.



6 Montage

Toutes les pièces de fixation sont livrées avec l'appareil.

11 8x		20 1x	
23 2x		24 2x	
39 2x		40 6x	
28 Torx® 25 2x M5 x 22	41 Torx® 15 28x ø 4 x 14	26 19 mm SW 5 1x	22 1x
61 2x ø 3,5 x 8	37 1x	38 2x	29 Torx® 15 11 x ø 4 x 19
55 2x M5x22	54 1x	34 6x	35 6x Torx® 20
53 2x	51 Torx® 25 2x M5x15	60 1x	

Fig. 8

S'assurer d'avoir les outils suivants à portée de main :

- Tournevis à accu Torx 15. 20. 25
- Clé mâle à six pans 13

Le rayon intermédiaire doit se trouver à angle droit par rapport à la paroi latérale du meuble.. Aligner l'élément à l'aide d'un niveau à bulle et d'une équerre. Si nécessaire, compenser l'inégalité en y plaçant des cales.

L'appareil peut être monté dans un meuble de cuisine usuel. Dans ce cas : démonter les pièces de garnissage de la porte et de la niche. Elles sont superflues puisque la porte du meuble est montée directement sur la porte de l'appareil réfrigérant.

Remarque

- ▶ S'assurer avant le montage de la porte du meuble que son poids admis ne soit pas dépassé.
- ▶ Sinon des dommages sur la charnière pouvant entraîner des difficultés de fonctionnement ne peuvent être entièrement exclus.

	Poids maximal de la porte du meuble
Porte du compartiment réfrigérateur	30.5 in. (14 kg)
Porte du compartiment congélateur	26.5 in. (12 kg)

6.1 Monter l'appareil

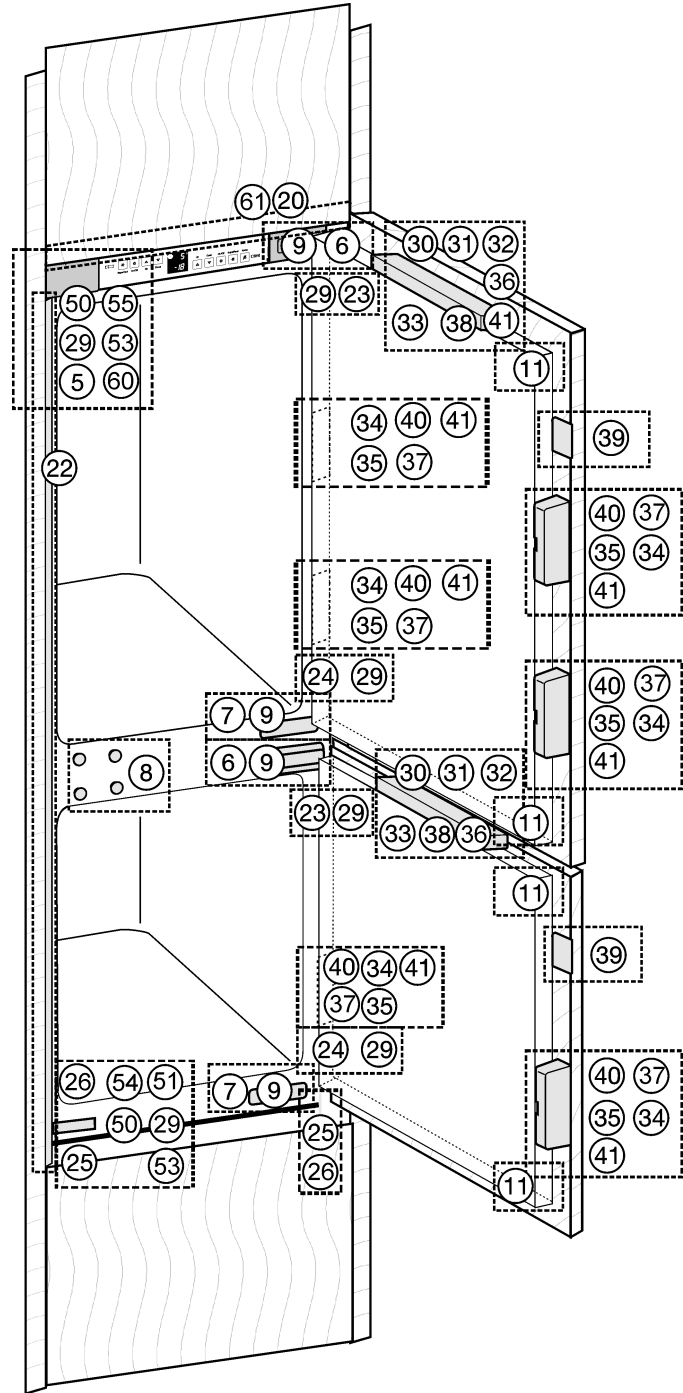


Fig. 9

- ▶ Enlever le câble de raccord sur la paroi arrière de l'appareil. Retirer le serre-câble pour empêcher les bruits dus aux vibrations!
- ▶ Installer le raccordement électrique à l'aide d'un fil de manière à ce que l'appareil puisse être facilement raccordé après montage.



Fig. 10

Montage

Aux appareils avec raccord fixe à une prise d'eau pour l'IceMaker :

- ▶ raccorder l'IceMaker selon le chapitre Prise d'eau.*
- ▶ Glisser l'appareil au 3/4 dans la niche.
- ▶ Ôter le cache (5,6,7).
- ▶ Visser Fig. 11 (61) le panneau d'ajustement Fig. 11 (20) sur le dessus de l'appareil en opérant par les trous oblongs.

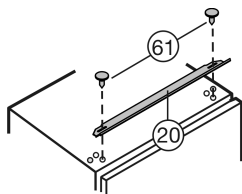


Fig. 11

- ▶ Visser l'ensemble des cornières de fixation Fig. 12 (34) avec un tournevis à six pans Fig. 12 (35) dans les trous préperforés de la porte de l'appareil.

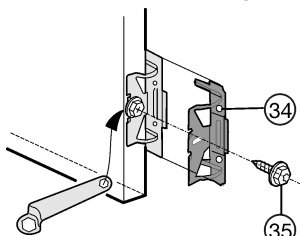


Fig. 12

Pour des parois de meuble d'une épaisseur de 5/8" (16 mm) = prévoir une niche d'une largeur de 22-23/64" (568 mm):

- ▶ Cliper l'écarteur Fig. 13 (23) sur les charnières supérieures et l'écarteur Fig. 9 (24) sur les charnières inférieures.

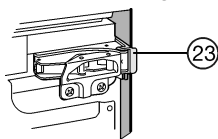


Fig. 13

- ▶ Placer les caches Fig. 14 (53) en haut et en bas sur les cornières de fixation Fig. 14 (50).

- ▶ Visser les cornières de fixation Fig. 14 (50) en haut Fig. 14 (55) et en bas Fig. 9 (51) de telle manière qu'une cornière puisse être bougée légèrement sur la droite et sur la gauche.

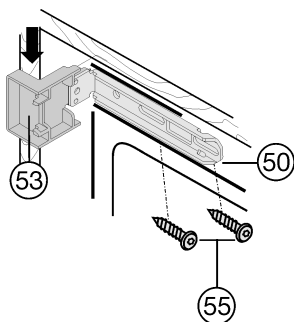


Fig. 14

- ▶ Retirer le film de protection de la baguette de finition Fig. 15 (22). Positionner la baguette de finition Fig. 15 (22) côté poignée en l'alignant par l'avant au nez du cache Fig. 14 (53) et la coller à la paroi latérale de l'appareil.

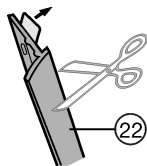


Fig. 15

- ▶ Couper la baguette de finition Fig. 15 (22) si nécessaire : placer le cache Fig. 9 (54) contre la cornière de fixation du bas Fig. 14 (50) et raccourcir la baguette de finition Fig. 15 (22) pour qu'elle ait la même longueur que l'arête supérieure du cache.
- ▶ Retirer à nouveau le cache Fig. 9 (54).

Insérer l'appareil et l'aligner:

Pour des parois de meuble d'une épaisseur de 5/8" (16 mm) = prévoir une niche d'une largeur de 22-23/64" (568 mm):

- ▶ Positionner et fixer les écarteurs contre la paroi latérale du meuble.

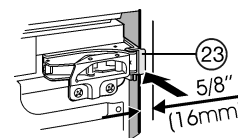


Fig. 16

Pour des parois de meuble d'une épaisseur de 3/4" (19 mm) = niche d'une largeur de 22-1/8" (562 mm):

- ▶ Aligner les arêtes avant de la charnière de façon à ce qu'elles affleurent la paroi latérale du meuble.

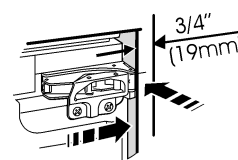


Fig. 17

Pour les meubles (5/8" (16 mm) et 3/4" (19 mm)) avec éléments du butée de porte (pastilles de protection, lèvres d'étanchéité etc....):

- ▶ tenir compte des cotes de montage (profondeur des éléments de butée de porte). Laisser les charnières dépasser en fonction de ces cotes.

- ▶ Glisser l'appareil à l'intérieur jusqu'à ce que les caches Fig. 14 (53) heurtent la paroi latérale du meuble. Fig. 14

- ▶ Aligner l'appareil avec les pieds réglables Fig. 9 (25) à l'aide d'une clé ouverte Fig. 9 (26) jusqu'à ce qu'il soit droit.

- ▶ Maintenant l'appareil est positionné correctement dans sa profondeur. Le jeu de l'arête avant de la paroi latérale du meuble par rapport au corps de l'appareil fait 1-21/32" (42 mm) sur le pourtour. (tenir compte des éléments de butée de porte tels que pastilles de protection ou lèvres d'étanchéité.)

Remarque

Dysfonctionnements à cause d'un mauvais montage!

Si les cotes de distance ne sont pas respectées, la porte risque de mal fermer. Ceci risque d'entraîner givrages, formation d'eau de condensation ou dysfonctionnements.

- ▶ Il est fortement conseillé de respecter une cote de distance de 1-21/32" (42 mm) tout autour. (tenir compte des éléments de butée de porte tels que pastilles de protection ou lèvres d'étanchéité.)

Visser l'appareil dans la niche :

- ▶ sur les deux portes, visser les vis pour panneaux d'agglomérés Fig. 18 (29) respectivement en haut et en bas au travers des pattes de charnière.

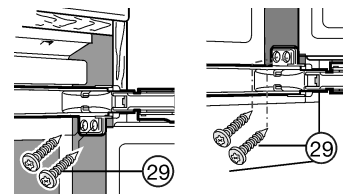


Fig. 18

Côté poignée en haut:

- ▶ Desserrer un peu les vis Fig. 19 (55).

- ▶ Visser à fond la cornière supérieure de fixation Fig. 19 (50) à la paroi du meuble avec une vis à panneaux d'agglomérés Fig. 19 (29) $\varnothing 4 \times 19$.

- ▶ Enlever les parties du cache Fig. 19 (53) dépassant en les cassant.

- ▶ Resserrer les vis Fig. 19 (55).

- ▶ Poser le cache Fig. 19 (53).

Côté poignée en bas:

- ▶ Desserrer un peu les vis Fig. 20 (51).

- ▶ Visser à fond la cornière inférieure de fixation Fig. 20 (50) à la paroi du meuble avec une vis à panneaux d'agglomérés Fig. 20 (29) $\varnothing 4 \times 19$.

- ▶ Enlever les parties du cache Fig. 20 (53) dépassant en les cassant.

- ▶ Resserrer les vis Fig. 20 (51).

- ▶ Poser le cache Fig. 20 (54) sur la cornière de fixation Fig. 20 (50) du bas.

- ▶ Glisser le panneau d'ajustement Fig. 11 (20) jusqu'à la butée en direction du côté poignée.

- ▶ Fermer la porte de l'appareil.

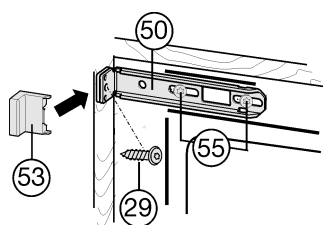


Fig. 19

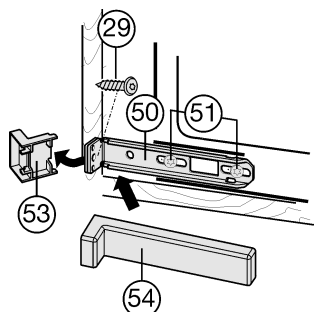


Fig. 20

- ▶ Dévisser la traverse de fixation Fig. 22 (31) au moyen des contre-écrous Fig. 22 (32).

- ▶ Suspendre la traverse de fixation Fig. 22 (31) avec les dispositifs de montage Fig. 22 (30) sur la face intérieure de la porte du meuble.

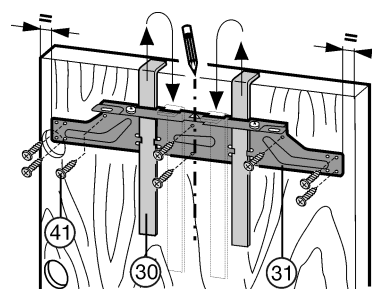


Fig. 22

Pour une niche d'une largeur de 23-5/8 " (600 mm):

- ▶ Aligner la traverse de fixation Fig. 22 (31) au centre : tracer la ligne courte médiane sur la porte de meuble et venir y placer la pointe de flèche de la traverse.

- ▶ Les écarts par rapport à l'arête extérieure doivent être les mêmes à gauche comme à droite.

Pour une niche d'une largeur de 24 " (609.6 mm):

- ▶ Aligner la traverse Fig. 22 (31) de fixation: tracer la ligne courte médiane sur la porte de meuble et venir y placer la pointe de flèche de la traverse. Décaler ensuite Fig. 22 (31) la traverse de fixation de 7/32 " (5.5 mm) en direction de la charnière.

Pour portes en panneaux d'agglomérés :

- ▶ Fixer la traverse de fixation Fig. 22 (31) avec 6 vis Fig. 22 (41) sur le bord.

Pour portes à caissons :

- ▶ Fixer la traverse de fixation Fig. 22 (31) avec 4 vis Fig. 22 (41) sur le bord.

- ▶ Retirer les dispositifs de montage Fig. 22 (30) en les tirant par le haut et les pousser en les tournant dans les orifices d'extraction à proximité.

6.2 Monter les portes du meuble

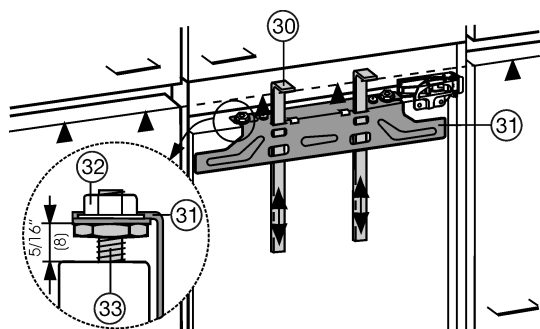


Fig. 21

Les dispositifs de montage Fig. 21 (30) sont requis pour les deux portes. C'est pourquoi il faut monter les portes du placard l'une après l'autre.

- ▶ Vérifier le pré-réglage de 5/16 " (8 mm). (distance entre la porte de l'appareil et le bord inférieur de la traverse)
- ▶ Pousser les dispositifs de montage Fig. 21 (30) à la hauteur de la porte du meuble. Arête inférieure de la butée ▲ du dispositif de montage = arête supérieure de la porte du meuble à monter.

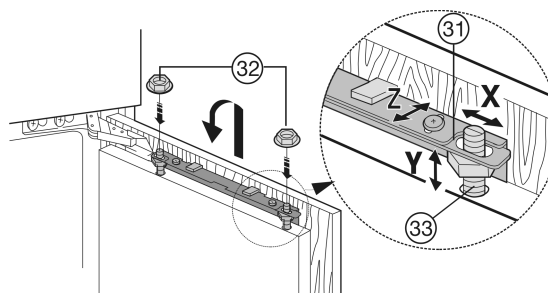


Fig. 23

- ▶ Suspendre la porte du meuble sur les tenons d'ajustement Fig. 23 (33) et visser légèrement les contre-écrous Fig. 23 (32) sur les tenons d'ajustement.

- ▶ Fermer la porte.

- ▶ Vérifier la distance de la porte par rapport aux portes de meuble avoisinantes.

- ▶ Aligner latéralement la porte du meuble : décaler la porte du meuble en direction de X.

- ▶ Aligner la porte de placard en hauteur et en inclinaison latérale : Régler les boulons d'ajustage Fig. 23 (33) à l'aide d'un tournevis.

- ▶ La porte de meuble doit s'aligner de façon à affleurer les façades de meuble qui l'entourent.

- ▶ Serrer les contre-écrous Fig. 23 (32).

Montage

Bien respecter le bon alignement des deux arêtes en métal, symbole //:

- ▶ Préperforer les trous de fixation de la porte de meuble (si nécessaire entailler avec un burin).

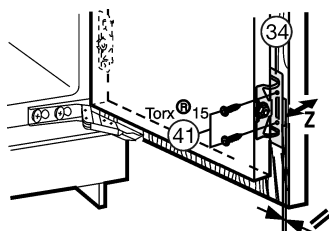


Fig. 24

- ▶ Visser Fig. 24 (41) la porte de l'appareil sur la porte du meuble à travers les cornières de fixation Fig. 24 (34).

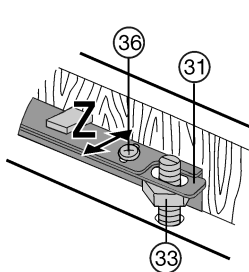
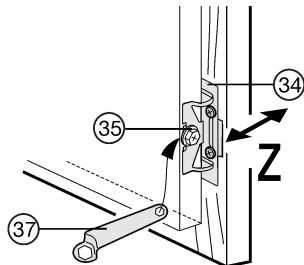


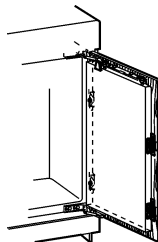
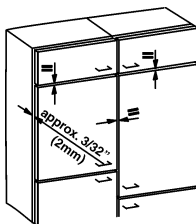
Fig. 25

- ▶ Aligner la porte du meuble dans la profondeur Z: Desserrer les vis Fig. 25 (36) en haut, les vis à six pans Fig. 25 (35) en bas, à l'aide de la clé polygonale Fig. 25 (37) jointe. Ensuite déplacer la porte.
- ▶ Ne pas faire buter les plots et lèvres d'étanchéité - important pour le bon fonctionnement!
- ▶ Prévoir un passage d'air de 5/64" (2 mm) entre la porte et le corps du meuble.



Pour les grandes portes de placard :

- ▶ monter une 3ème paire de cornières de fixation Fig. 25 (34).
- ▶ Utiliser pour ceci les trous préperforés de la porte de l'appareil dans la zone de la poignée.



- ▶ Vérifier le bon positionnement de la porte et l'ajuster ultérieurement si nécessaire.
- ▶ Serrer toutes les vis à fond.

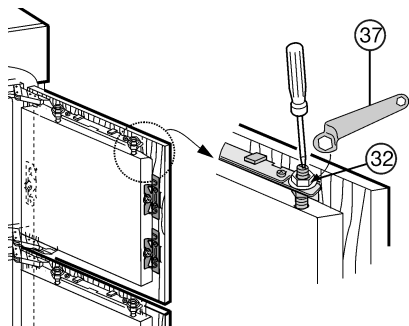


Fig. 26

- ▶ Serrer les contre-écrous Fig. 26 (32) avec la clé polygonale Fig. 26 (37) en bloquant les boulons d'ajustage Fig. 26 (33) à l'aide d'un tournevis.

- ▶ Mettre en place les caches supérieurs Fig. 27 (38) et les encliqueter.
- ▶ Poser les caches latéraux Fig. 27 (39); les faire glisser jusqu'à la butée puis appuyer sur les caches jusqu'à ce que vous les entendiez encliqueter.
- ▶ Faire coulisser les caches Fig. 27 (40) latéralement, ensuite les tirer vers l'avant à l'aide d'un tournevis jusqu'à ce qu'ils encliquettent.

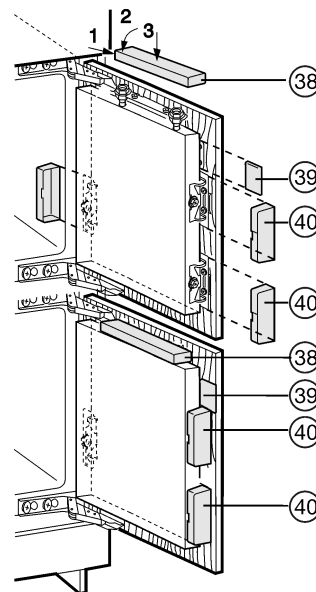


Fig. 27

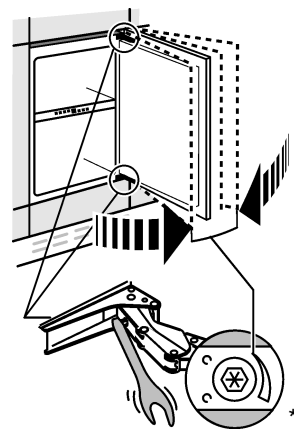
Pour une niche d'une largeur de 24" (609.6 mm):

- ▶ Poser les caches Fig. 9 (6,7,60) et les encliqueter.
- ▶ Pour une niche d'une largeur de 23-5/8" (600 mm):
- ▶ Poser les caches Fig. 9 (5,6,7) et les encliqueter.

Aux appareils sans amortisseurs de fermeture régler l'amortissement de la butée de fin de course :

Le ressort de la butée finale de la porte peut être réglé si nécessaire avec la clé à six pans prévue à cet effet.*

- ▶ Augmenter la force de ressort : tourner dans le sens des aiguilles d'une montre.*
- ▶ Diminuer la force de ressort (réglage au départ de l'usine) : tourner dans le sens contraire des aiguilles d'une montre.*
- ▶ Mettre en place les caches restants sur les charnières.*



Vérifier les points suivants afin de s'assurer du montage correct de l'appareil. Sinon givrages, formation d'eau de condensation ou dysfonctionnements peuvent survenir:

- ▶ La porte doit fermer correctement
- ▶ La porte du meuble ne doit pas être accolée au corps du meuble.
- ▶ Le joint côté poignée dans le coin en haut doit être bien apposé. Pour vérifier, assombrir la pièce, placer une lampe de poche en haut dans l'appareil et fermer la porte. Si la lumière est visible de l'extérieur, vérifier le montage.

7 Brancher l'appareil



AVERTISSEMENT

Risque de décharge électrique !

- ▶ L'appareil ne doit être mis en marche qu'après avoir été monté et encastré selon les consignes mentionnées ci-dessus.
- ▶ Mise à la terre de l'appareil
- ▶ Ne pas effectuer de mise à la terre de l'appareil au-dessus d'une conduite de gaz.
- ▶ Faites venir un spécialiste si vous n'êtes pas certain de la mise à la terre correcte de l'appareil.
- ▶ Ne pas intégrer de fusible dans le circuit électrique du conducteur neutre ou de la mise à la terre.
- ▶ Ne pas utiliser de rallonges ou de multiprises.
- ▶ Ne pas utiliser de câble d'alimentation abrasé ou endommagé.



AVERTISSEMENT

Risque de décharge électrique !

Cet appareil est équipé d'une prise à trois pôles avec détrompeur pour éviter tout risque de décharge électrique. La prise doit être mise à la terre correctement.

- ▶ Il est formellement interdit de retirer la broche circulaire de mise à la terre de la prise.
- ▶ N'utiliser pas d'adaptateur de prise à deux pôles.

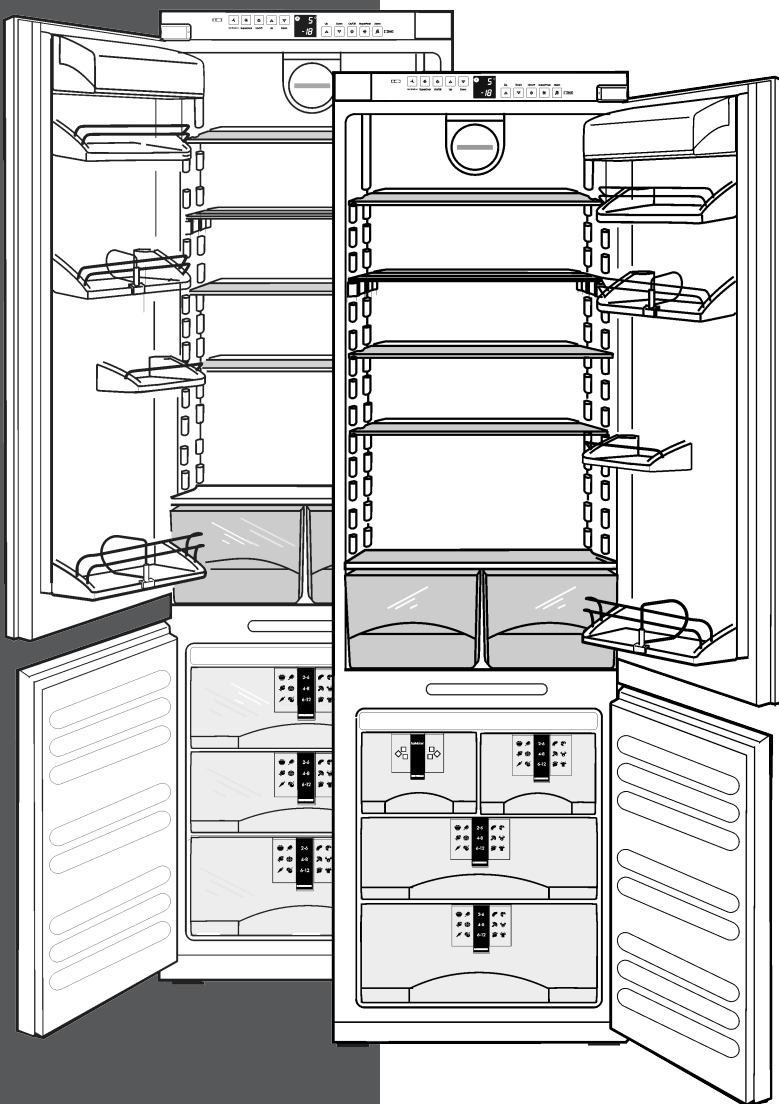
- Attendre 30 minutes à 1 heure après la mise en place avant de raccorder l'appareil au réseau électrique. Ceci permet au fluide réfrigérant et à l'huile réfrigérante de se répartir correctement.
- S'assurer que la tension du réseau électrique correspond à la tension d'alimentation de l'appareil. Pour un fonctionnement correct de l'appareil, prévoir une alimentation de 110 - 120 V, 60 Hz (et 15 A (20 A si la mise en place se fait côte à côte) sécurisé par un commutateur principal ou un fusible.
- Le fabricant conseille d'alimenter l'appareil par un circuit électrique séparé pour éviter les surcharges électriques.
- Respecter l'ensemble des normes en vigueur pour ce qui est des installations électriques, de la protection contre les incendies et du code de construction lors de la mise en place d'une prise et/ou de l'appareil.
- Dans certains pays, le branchement de l'appareil au réseau électrique doit être fait avec la mise en place d'un commutateur MARCHE/ARRET installé dans le mur.
- La mise en place et le branchement de l'appareil doivent être effectués par un spécialiste, en respectant l'ensemble des consignes et normes en vigueur ainsi que les règles en matière de protection contre les incendies afin de réduire tout risque d'incendie, de décharges électriques, d'électrocution ou autres blessures.
- Il est conseillé de nettoyer l'appareil avant sa première mise en service (pour de plus amples informations, voir le chapitre « Nettoyage »).

- La prise doit être disposée de telle manière que son arête supérieure se situe à une distance maximale de 82-5/8 pouces (2100 mm) par rapport à l'arête supérieure de la plaque de base du meuble de cuisine.

LIEBHERR

Instrucciones de montaje

Combinado frigorífico-congelador,
integrable, puerta orientable



HC 1011/1060 HC 1001/1050
7084000 - 00

Notas generales sobre seguridad

Contenido

1	Notas generales sobre seguridad.....	29
2	Instalación del aparato.....	29
3	Cambio del tope de puerta.....	30
3.1	Desmontaje del amortiguador de cierre.....	30
3.2	Cambio del tope de puerta.....	30
3.3	Nuevo montaje del amortiguador de cierre.....	31
4	Montaje del mueble de cocina.....	31
4.1	Ventilación y salida de aire del mueble de cocina.....	31
4.2	Montaje del mueble de cocina.....	33
4.3	Montaje de las puertas del mueble de cocina.....	34
5	Conexión de agua.....	36
6	Montaje.....	36
6.1	Montaje del aparato.....	37
6.2	Montaje de las puertas del mueble.....	39
7	Conexión del aparato.....	41

El fabricante trabaja continuamente para seguir desarrollando todos los tipos y modelos. Por tanto, tenga en cuenta que se producen modificaciones de la forma, el equipo y la técnica.

Para conocer todas las prestaciones de su nuevo aparato, lea detenidamente las indicaciones de estas instrucciones.

Las instrucciones son válidas para varios modelos; se pueden producir variaciones. Las secciones sólo aplicables a determinados aparatos aparecen marcadas con un asterisco (*).

Las instrucciones de manejo se identifican con ► y los resultados de uso con ▷.

1 Notas generales sobre seguridad

Lea y siga estas instrucciones, pues contienen indicaciones sobre la seguridad que son importantes para una instalación y un funcionamiento perfectos. ¡Lea y siga siempre las indicaciones sobre la seguridad!

	PELIGRO	señala una situación de peligro inminente que, si no se evita, puede producir lesiones graves o incluso la muerte.
	ADVERTENCIA	señala una situación de peligro que, si no se evita, puede producir lesiones graves o incluso la muerte.
	ATENCIÓN	señala una situación de peligro que, si no se evita, puede producir lesiones leves o moderadas.
	AVISO	señala una situación de peligro que, si no se evita, puede producir daños materiales.

	Nota	señala indicaciones y recomendaciones útiles.
--	------	---

Es importante que se sigan las directrices e indicaciones de estas instrucciones para que el aparato se instale y funcione correctamente. Lea y comprenda toda la información que figura en estas instrucciones antes de instalar el aparato.

2 Instalación del aparato



ADVERTENCIA

¡Peligro de incendio a consecuencia de la humedad!
Si las piezas conductoras de electricidad o la línea de alimentación eléctrica se humedecen, se puede producir un cortocircuito.

► El aparato está diseñado para utilizarse en espacios cerrados. No ponga en funcionamiento el aparato en un lugar al aire libre, expuesto a la humedad ni a la pulverización de agua.



ADVERTENCIA

¡Peligro de incendio y de daños!

► ¡No coloque aparatos que emiten calor como, por ejemplo, microondas, tostadoras, etc. sobre el aparato!



ATENCIÓN

¡Peligro de lesiones!

► El aparato debe transportarse a su lugar de instalación con la ayuda de dos personas.

AVISO

Riesgo de daños derivado de agua de condensación
Si el aparato Liebherr se instala cerca de otro frigorífico o congelador, la formación de agua de condensación puede producir daños.

► No instale el aparato cerca de otro frigorífico o congelador, a menos que se trate de aparatos fabricados por Liebherr. Los aparatos Liebherr son aptos para montarse en el modo Side-by-Side. Disponen de un dispositivo de calentamiento que elimina el agua de condensación cuando se instalan frigoríficos o congeladores próximos entre sí.

AVISO

¡Existe riesgo de que el suelo del mueble sufra daños!

► Proteja el suelo cubriéndolo antes de retirar el embalaje del aparato.

Asegúrese de que:

- El suelo del lugar de instalación del aparato está perfectamente liso y nivelado.
- La capacidad de carga del suelo admite el peso del aparato, además de 1.200 libras (544 kg) correspondientes al peso de los alimentos.

Cambio del tope de puerta

- ❑ El aparato no está sometido a radiación solar directa en el lugar de instalación ni se encuentra en las inmediaciones de hornos, cocinas, radiadores u otras fuentes de calor similares.
- ❑ El mueble de cocina en el que va a instalarse el aparato está equilibrado con suplementos en caso de que el suelo no esté nivelado.
- ❑ El fusible es correcto.
- ❑ La toma de corriente eléctrica está dispuesta en la posición especificada.
- ❑ La ventilación y el escape de aire no están obstruidos. Para el funcionamiento del aparato, es necesario disponer de suficiente ventilación y escape de aire. La rejilla de aire disponible en el lado de operación proporciona una sección de ventilación adecuada en el aparato de 31 pulg.² (200 cm²). En caso de sustituir la rejilla de aire por un panel, éste debe tener una sección de ventilación del mismo tamaño, como mínimo, o mayor que la rejilla del fabricante.
- ▶ Compruebe que el aparato y el embalaje no presentan daños de transporte. Póngase en contacto inmediatamente con los proveedores en caso de que observe la presencia de cualquier daño.
- ▶ Anote el tipo (modelo, número), la denominación del aparato, el número de serie/dispositivo, la fecha de compra y la dirección del distribuidor en los campos correspondientes del capítulo Información sobre el aparato.
- ▶ Retire todos los materiales de la parte trasera o de las paredes laterales del aparato que puedan obstaculizar la correcta instalación o ventilación y escape de aire.

Si el aparato se instala en un entorno muy húmedo, en la parte exterior del mismo se puede formar agua de condensación.

- ▶ Asegúrese de que existe siempre buena ventilación y escape de aire en el lugar de instalación.

3 Cambio del tope de puerta

Asegúrese de que dispone de la herramienta siguiente:

- ❑ Llave hexagonal 13
- ❑ Destornillador de acumulador Torx15, 20, 25, 30

Inserte el aparato (2/3) en el habitáculo.

Desconecte el enchufe de alimentación de red.

Abra la puerta.

3.1 Desmontaje del amortiguador de cierre*



ATENCIÓN

¡Peligro de lesiones cuando el amortiguador de cierre se retrae!

- ▶ Desmonte con cuidado.

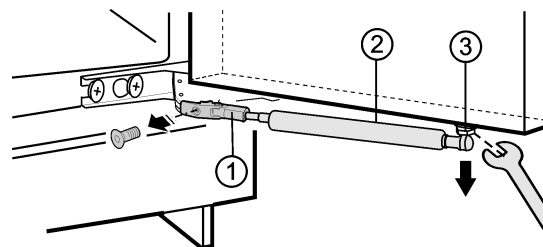


Fig. 1

- ▶ Desatornille el soporte Fig. 1 (1).
- ▶ Desatornille la rótula esférica Fig. 1 (3) junto con el amortiguador de cierre Fig. 1 (2) y colóquelos a un lado.

3.2 Cambio del tope de puerta

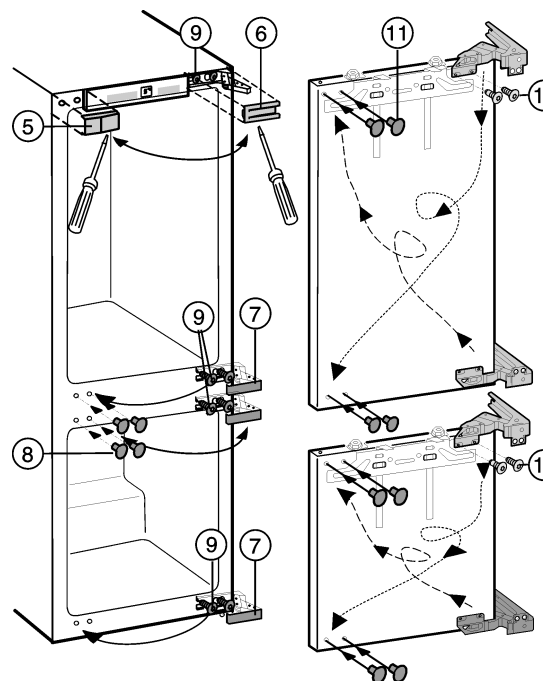


Fig. 2

- ▶ Desmonte hacia delante las cubiertas Fig. 2 (5,6,7,8) con un destornillador para tornillos de cabeza ranurada.
- ▶ Afloje únicamente los tornillos Fig. 2 (9) superiores e inferiores del cuerpo del aparato.
- ▶ Deslice las puertas hacia fuera y desengánchelas.
- ▶ Atornille ligeramente los tornillos Fig. 2 (9) que va a reinstalar en el lado opuesto.



ATENCIÓN

¡Peligro de lesiones cuando las bisagras de pliegan!

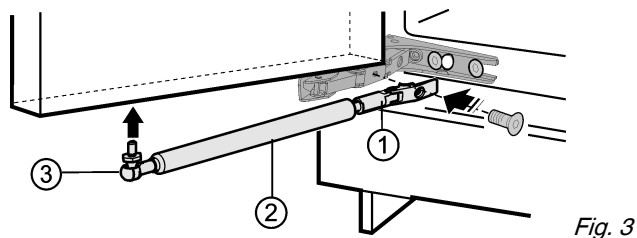
- ▶ Deje abiertas las bisagras.

- ▶ Retire los tornillos Fig. 2 (10) y dé la vuelta a la bisagra en diagonal.

Los tornillos Fig. 2 (10) son autocortantes: Utilice un destornillador a pilas.

- ▶ Atornille firmemente la bisagra.
- ▶ Cierre los orificios de sujeción abiertos con Fig. 2 (11) tapones.
- ▶ Enganche las puertas en los tornillos Fig. 2 (9) previamente montados y apriete firmemente los tornillos.

3.3 Nuevo montaje del amortiguador de cierre*

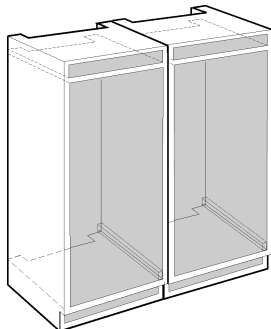


- ▶ Desatornille el soporte Fig. 3 (1).
- ▶ Atornille la rótula esférica Fig. 3 (3) junto con el amortiguador de cierre Fig. 3 (2) en el orificio de sujeción.
- ▶ Vuelva a montar todas las cubiertas Fig. 2 (5,6,7,8).

4 Montaje del mueble de cocina

El aparato es montable y, por lo tanto, puede integrarse completamente en un mueble de cocina. El mueble de cocina correspondiente debe tener las medidas de montaje especificadas y disponer de suficiente ventilación y escape de aire para garantizar el correcto funcionamiento del aparato.

En el montaje Side-by-Side, prepare un mueble de cocina para cada aparato.



Permita que un profesional se encargue del montaje del aparato en el mueble de cocina.

4.1 Ventilación y salida de aire del mueble de cocina

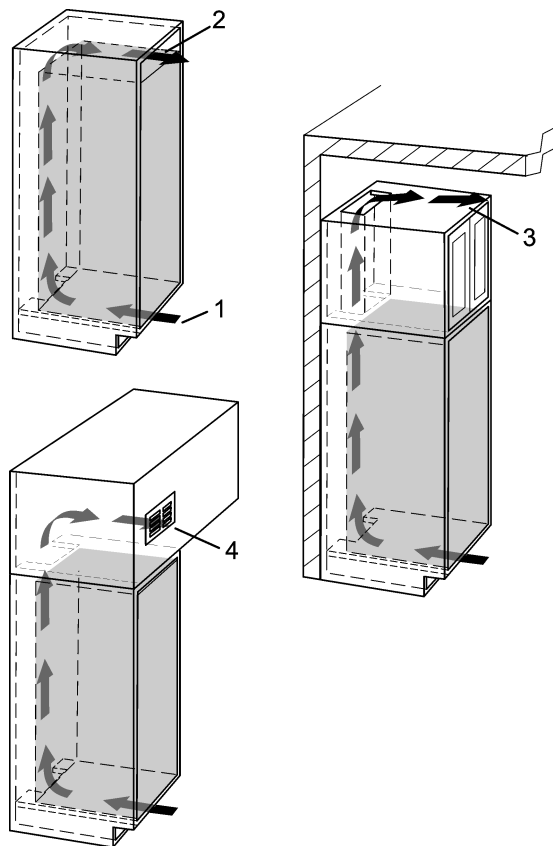


Fig. 4

- Debe haber disponible una sección de ventilación adecuada de al menos 31 pulg² (200 cm²) en la toma de aire Fig. 4 (1) y la toma de aire Fig. 4 (2).
- En lugar de montar la sección de ventilación superior directamente sobre el aparato Fig. 4 (2), cerca del techo, puede instalarse sobre un armario Fig. 4 (3) o como rejilla para retorno de aire en un piso intermedio Fig. 4 (4).

Montaje del mueble de cocina

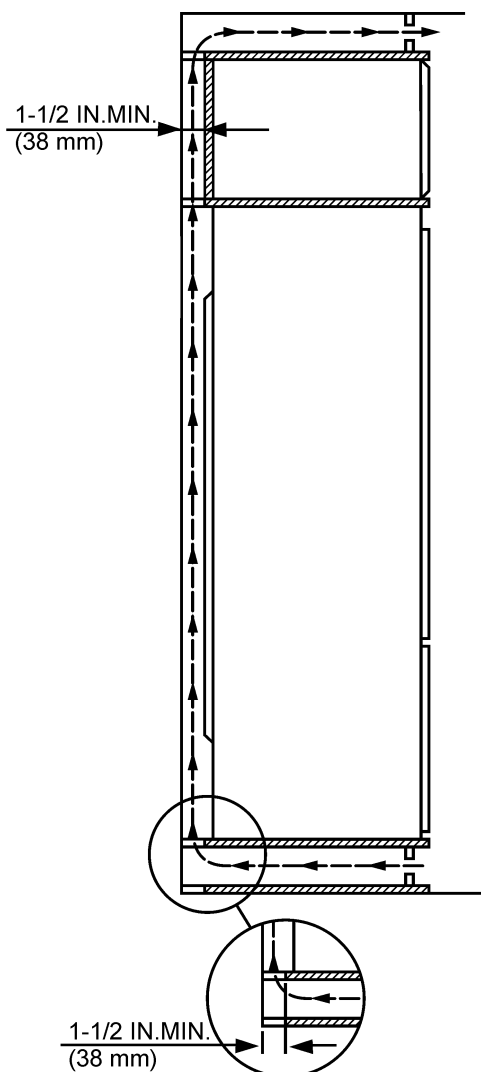


Fig. 5

- Debe dejarse una cámara de aire (sin obstrucciones) de al menos 1-1/2 pulg. (38 mm) de profundidad en la parte trasera del mueble de cocina.
- Mantenga las distancias indicadas anteriormente para ventilación y salida de aire.

La ventilación inferior a través del suelo del mueble de cocina puede practicarse con la rejilla de aire Fig. 6 (3) suministrada o mediante un orificio de ventilación con áreas transversales de al menos 31 pulg² (200 cm²). Si utiliza la rejilla de aire Fig. 6 (3) proporcionada, realice lo siguiente:

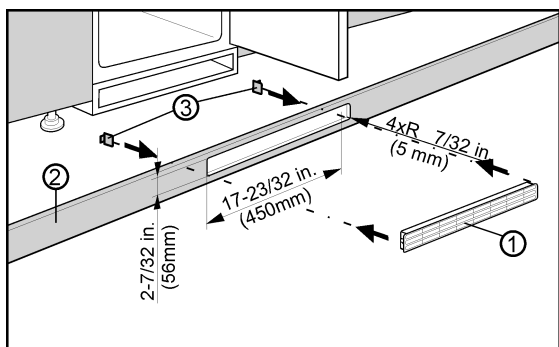


Fig. 6

- En el suelo del mueble de cocina, corte un orificio de salida de aire de 17-23/32 pulg. (450 mm) de ancho y 2-7/32 pulg (56 mm) de alto.
- Instale la rejilla de aire Fig. 6 (3) en el hueco del suelo del mueble de cocina Fig. 6 (1).
- Inserte el conector de resorte Fig. 6 (2) desde atrás en la rejilla hasta que el gancho toque el suelo del mueble de cocina.
- Monte el suelo del mueble de cocina (con una rejilla de aire cerrada) en el mueble de cocina.

4.2 Montaje del mueble de cocina

Monte el aparato únicamente en un mueble de cocina estable.

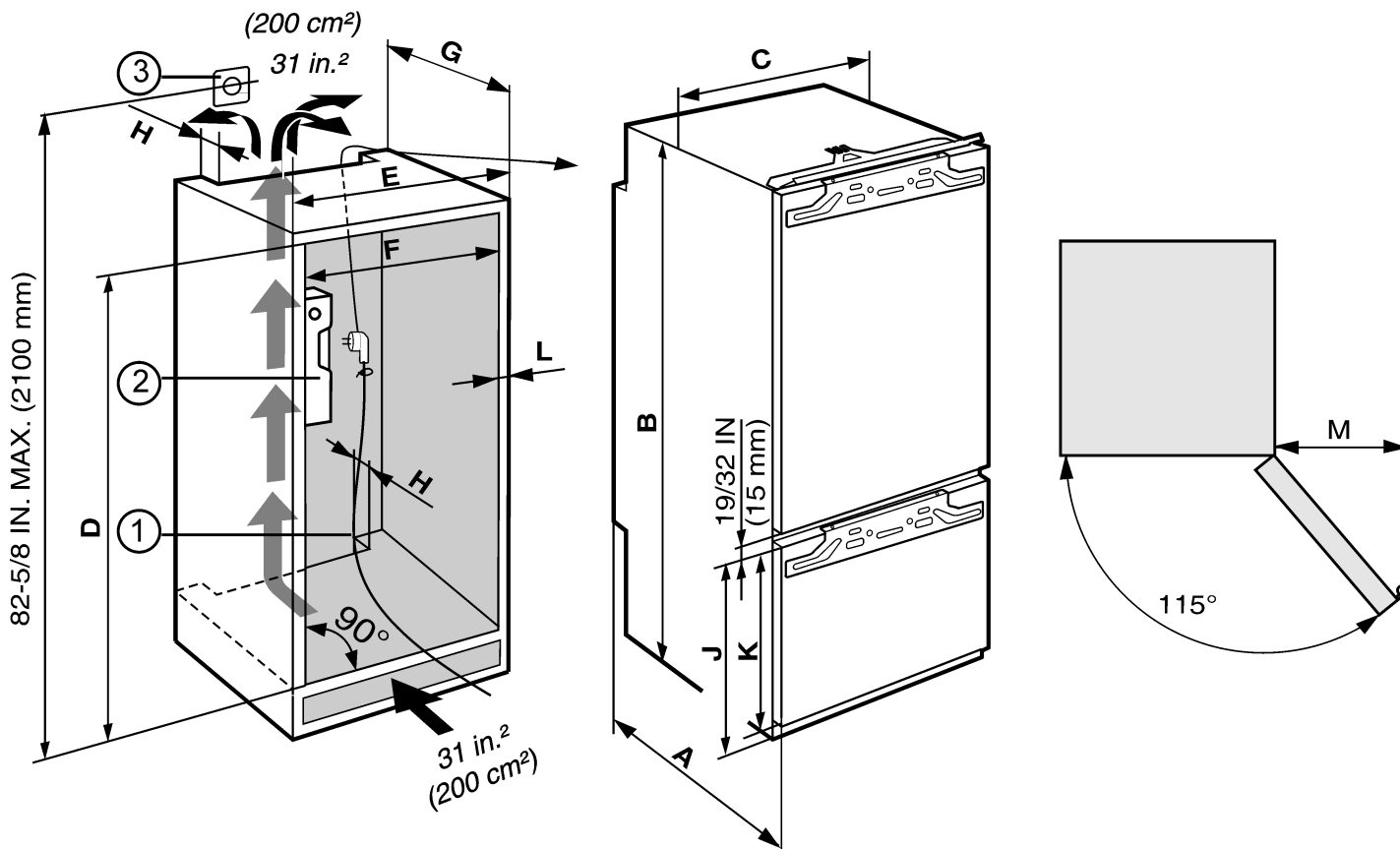


Fig. 6

- 1 Cable de entrada para cable de alimentación eléctrica 2 Nivel de burbuja
3 Toma eléctrica

A	21-7/32 pulg (539 mm)	B	69-43/64 pulg (1769.5 mm)
C	21-15/16 pulg (557 mm)	D	69-3/4 pulg - 70-25/64 pulg (1772 mm) - (1788 mm)
E	24 pulg (609.6 mm) (medida americana)	F	23-5/8 pulg (600 mm) (medida europea)
G	21-21/32 pulg (550 mm)	H	1-1/2 pulg (38 mm)
J	27-23/64 pulg (695 mm)	K	24-3/4 pulg (629 mm)
L	máx. 3/4 pulg (19 mm)	M	9-21/32 pulg (245 mm)

- ▶ Construya el mueble de cocina con las medidas proporcionadas en la Fig. 6.
- ▶ Alinee el mueble de cocina utilizando un nivel de burbuja Fig. 6 (2) y una escuadra. Si es necesario, nivele el mueble de cocina utilizando suplementos.
- ▷ El suelo debe formar un ángulo recto con las paredes laterales.

La separación entre la puerta superior e inferior del mueble debe coincidir con la separación entre la puerta superior e inferior del aparato.

Mantenga la medida de separación M con la pared para que sea posible extraer correctamente los cajones.

- ▶ Respete las medidas de montaje indicadas en la in Fig. 6.

Montaje del mueble de cocina

4.3 Montaje de las puertas del mueble de cocina

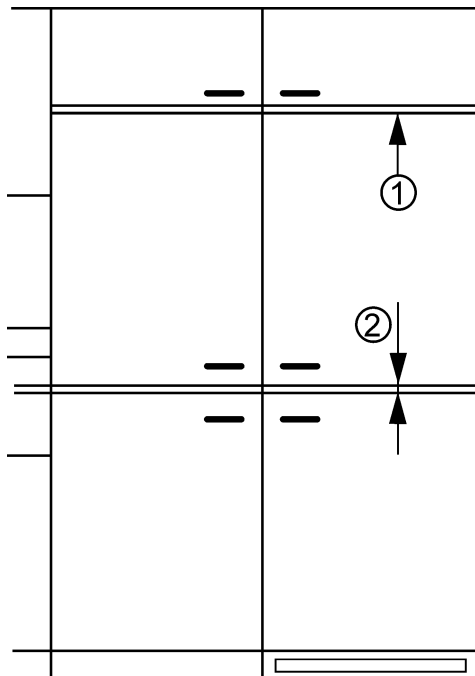


Fig. 7

Son necesarias dos puertas para el mueble de cocina: Una superior para el compartimento frigorífico, y una inferior para el congelador.

En general, estas puertas se instalan como se indica a continuación:

- Las puertas deben tener un grosor de 5/8 pulg (16 mm) como mínimo y 3/4 pulg (19 mm) como máximo para que sea posible fijar los carriles de unión.
- Cuando ambas puertas están cerradas, debe existir una separación de 1/8 pulg (3 mm) de ancho como mínimo entre la puerta superior y la inferior.
- Asimismo, debe existir una separación de 1/8 pulg (3 mm) de ancho como mínimo entre la puerta superior y la puerta del armario (si está disponible).
- Los bordes superiores de la puerta superior *Fig. 7 (1)* y la puerta inferior *Fig. 7 (2)* deben estar alineados con las puertas del armario o armarios contiguos en caso de que haya disponibles otros armarios.
- La separación entre las puertas del mueble debe estar nivelada con la separación *Fig. 7 (2)* entre las puertas del aparato.
- Alinee las puertas antes de montar el aparato. Después de montar el aparato, ya no es posible corregir el ajuste de las puertas.
- Controle las medidas de montaje según los datos especificados en la *Fig. 6*.

Montaje del mueble de cocina

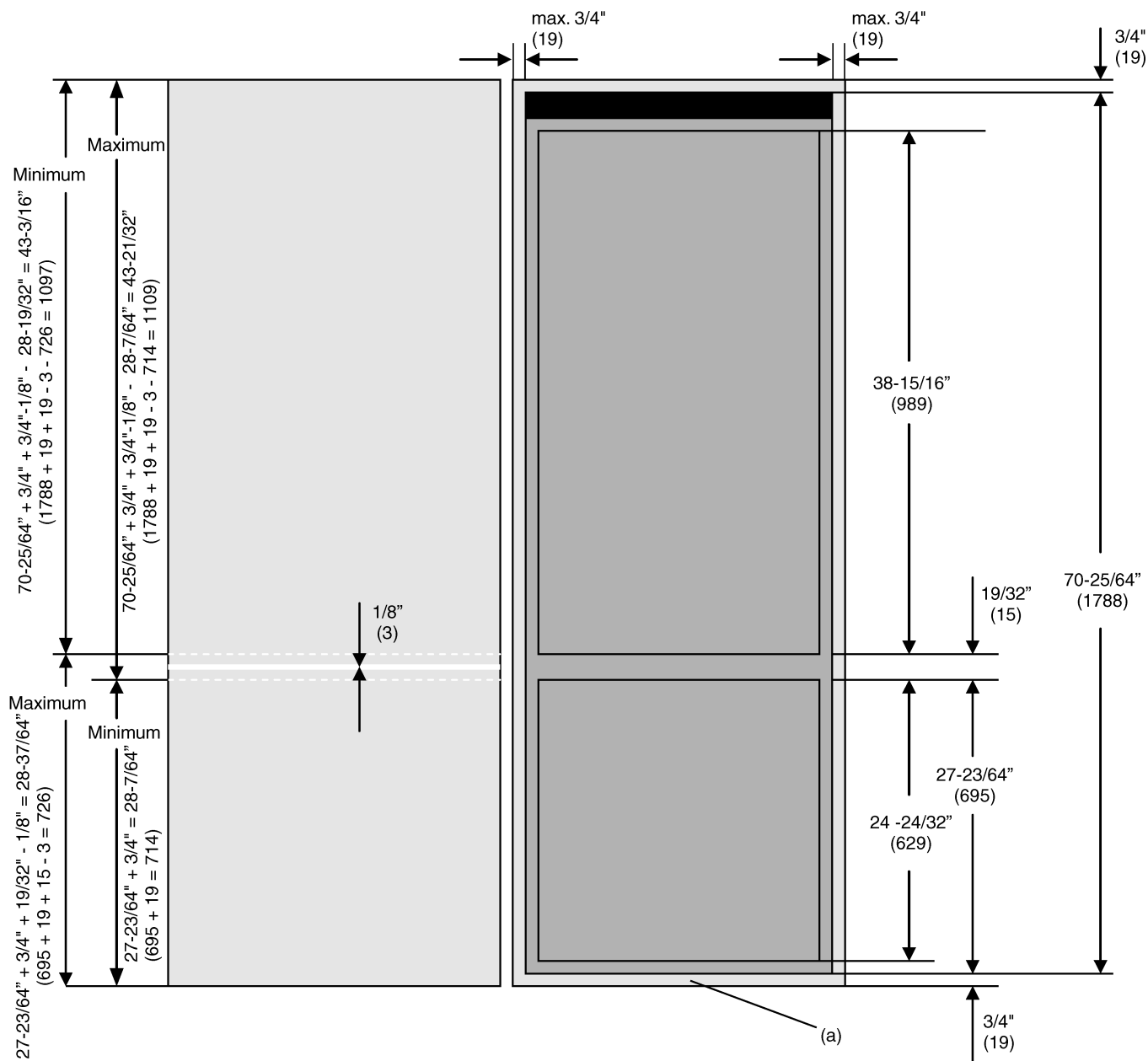


Fig. 7

La altura de la puerta del congelador asciende a 24-24/32 pulg (629 mm).

► Para extraer las secciones inferiores del aparato: Prolongue la altura de las placas 27-23/64 pulg (695 mm).

El grosor de la placa base normalmente es de 3/4 pulg (19 mm).

► Para cubrir la parte frontal de la placa base Fig. 7 (a): Prolongue la altura de las placas 27-23/64 pulg + 3/4 pulg = 28-7/64 pulg (695 mm + 19 mm = 714 mm).

Queda una separación de 19/32 pulg (15 mm) entre el compartimiento congelador y el compartimiento frigorífico del aparato.

Rectifique la altura de puerta definitiva en función de la altura de la separación de puertas del mueble de cocina que se encuentran a la derecha y a la izquierda junto al armario de montaje del aparato.

En caso de que haya otros armarios junto al mueble de montaje del aparato, normalmente existe una separación entre dos cajones o puertas. Una vez montada la cocina, estas separaciones tienen una anchura de 1/8 pulg (3 mm) aproximadamente.

► En este caso, aumente la altura de las placas 27-23/64 pulg + 3/4 pulg + 19/32 pulg - 1/8 pulg = 28-19/32 pulg (695 mm + 19 mm + 15 mm - 3 mm = 726 mm).

La altura de la hoja de la puerta del frigorífico se calcula como se indica a continuación:

Conexión de agua

- ▶ La altura total del frigorífico (es decir, 70-25/64 pulg (1788 mm)) más el espesor de la tapa y la base (normalmente de 3/4 pulg (19 mm)) menos la altura de la hoja de puerta del congelador (xxx pulg (xxx mm)), como se ha calculado arriba, o también, menos la anchura de separación (1/8 pulg (3 mm) aproximadamente): $70-25/64 \text{ pulg} + 3/4 \text{ pulg} + 3/4 \text{ pulg} - \text{xxx pulg} - 1/8 \text{ pulg} = 71-49/64 \text{ pulg} - \text{xxx pulg}$ (1788 mm + 19 mm + 19 mm - xxx mm - 3 mm = 1823 mm - xxx mm)

5 Conexión de agua*



ADVERTENCIA

¡Peligro de descarga eléctrica!

- ▶ Desconecte el aparato de la caja de enchufe antes de conectarlo a la tubería de agua.
- ▶ Bloquee el suministro de agua antes de conectar las tuberías de alimentación de agua del dispensador de cubitos de hielo.
- ▶ La conexión a la red de agua potable debe ser realizada únicamente por un instalador de gas y agua cualificado.

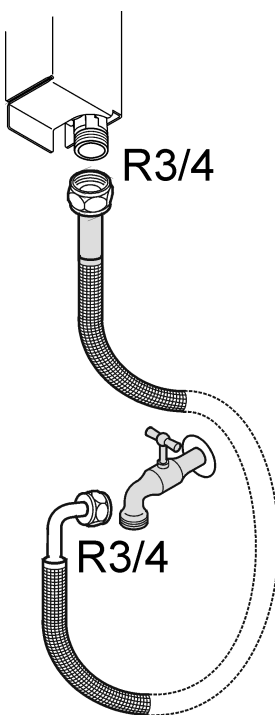


ADVERTENCIA

¡Peligro de intoxicación!

- ▶ La calidad del agua debe cumplir el reglamento sobre agua potable del país respectivo en el que se está utilizando el aparato.
- ▶ El IceMaker sirve únicamente para fabricar cubitos de hielo en pequeñas cantidades y debe funcionar con agua adecuada para ello.

- La presión de agua se debe situar entre 21.76 psi (1.5 bar) y 87.02 psi (6 bar).
- La alimentación de agua al aparato se debe realizar mediante una tubería de agua fría que resista la presión de funcionamiento y cumpla las normas de higiene. Utilice para ello la manguera de acero inoxidable que se suministra (59-1/16 " (1.5 m) de longitud). En el Servicio postventa está disponible una manguera de 118-7/64 " (3 m). Ésta la debe montar un profesional. En la pieza de conexión de la manguera se encuentra un filtro colector con junta.
- Entre la manguera y la conexión de agua doméstica se debe colocar un grifo de cierre para poder interrumpir la alimentación de agua si fuera necesario.



- Todos los aparatos y dispositivos que se utilizan para la alimentación de agua deben cumplir las normas vigentes del país respectivo.
- No dañe ni doble la tubería de alimentación de agua al instalarla.

- ▶ Conecte la parte recta de la manguera de acero inoxidable suministrada en la electroválvula.

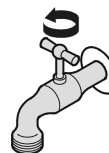
La electroválvula se encuentra en la parte inferior trasera del aparato. La medida de conexión en la electroválvula es de 3/4".

- ▶ Conecte la parte acodada de la manguera de acero inoxidable en el grifo de cierre.

- ▶ Abra el grifo de cierre de la alimentación de agua y compruebe la estanqueidad de todo el sistema de agua.

Antes de la primera puesta en funcionamiento:

- ▶ Un profesional competente debe purgar la tubería de agua.



6 Montaje

Todas las piezas de montaje están incluidas con el aparato.

11 8x		20 1x	
23 2x		24 2x	
39 2x		40 6x	
28 Torx® 25 2x M5 x 22	41 Torx® 15 28x 4 x 14	26 19 mm SW 5 1x	22 1x
61 2x 3,5 x 8	37 1x 10	29 Torx® 15 11 x 4 x 19	34 6x
55 2x M5x22	54 1x	35 6x Torx® 20	38 2x
53 2x	51 Torx® 25 2x M5x15	60 1x	36 1x

Fig. 8

Asegúrese de que dispone de la herramienta siguiente:

- Destornillador de batería Torx 15. 20. 25
- Llave hexagonal 13

El fondo intermedio debe formar ángulo recto con la pared lateral del mueble de cocina. Alinee el mueble de cocina utilizando el nivel de burbuja y la escuadra. Si es necesario, equilibrelo con suplementos.

El aparato también se puede montar en un armario de cocina normal. En este caso, desmonte los herrajes de la puerta del mueble y del habitáculo. Ya no son necesarios porque la puerta del mueble se monta en la puerta del aparato.

Nota

- ▶ Antes de montar la puerta del mueble, asegúrese de que no se supera el peso máximo permitido de la puerta del mueble.
- ▶ De lo contrario, pueden producirse daños en las bisagras, así como errores de funcionamiento.

	Peso máximo de la puerta del mueble
Puerta del frigorífico	30.5 pulg (14 kg)
Puerta del congelador	26.5 pulg (12 kg)

6.1 Montaje del aparato

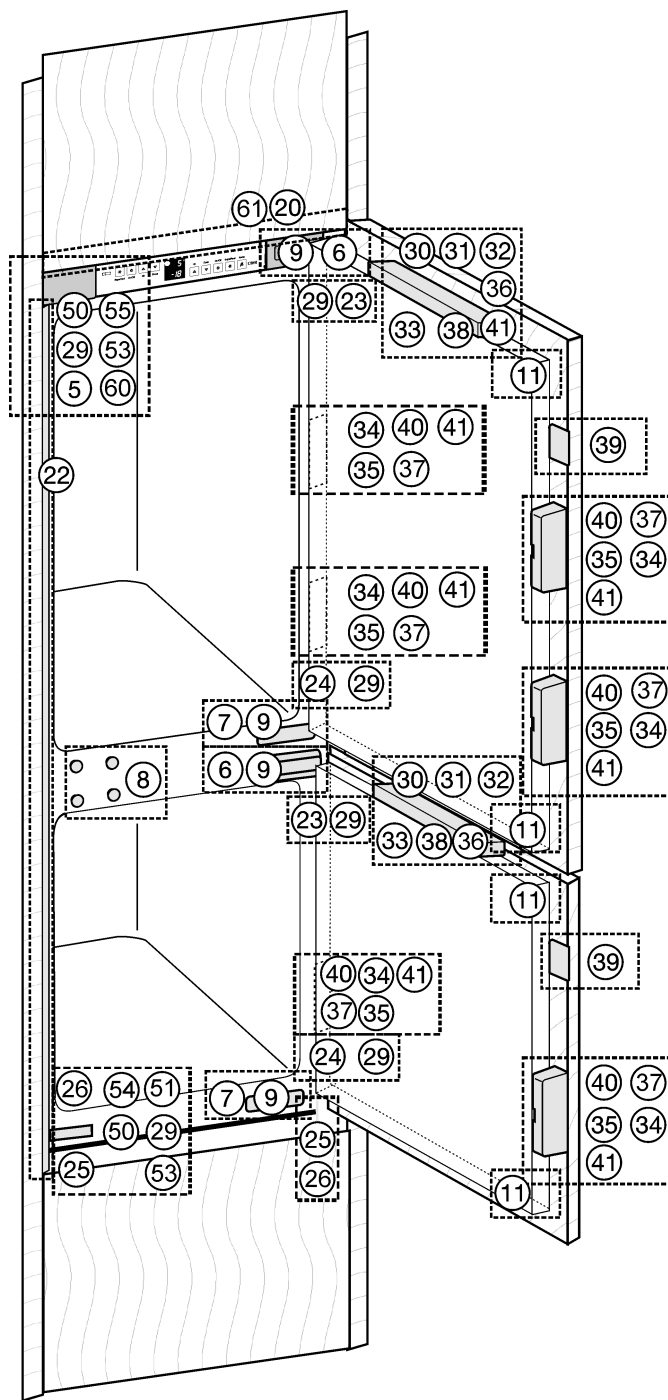



Fig. 9

- ▶ Retire el cable de conexión de la parte trasera del aparato. ¡Retire la abrazadera de soporte del cable  para que no se produzcan ruidos por vibración!
- ▶ Con la ayuda de un cordón, coloque el cable de conexión, de forma que, tras el montaje, el aparato pueda conectarse fácilmente.

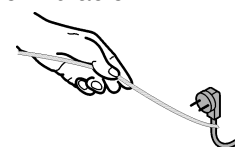


Fig. 10

En aparatos con conexión de agua fija para IceMaker:

Montaje

- ▶ Conecte el IceMaker según se describe en el capítulo Conexión de agua.*
- ▶ Inserte el aparato (3/4) en el habitáculo.
- ▶ Desmonte las piezas de cubierta (5,6,7).
- ▶ Atornille el panel de compensación Fig. 11 (20) a través de los agujeros oblongos sobre el aparato Fig. 11 (61).

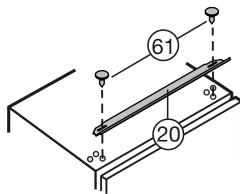


Fig. 11

- ▶ Atornille la escuadra de fijación Fig. 12 (34) con el tornillo de cabeza hexagonal Fig. 12 (35) en los agujeros pretaladrados de la puerta del aparato.

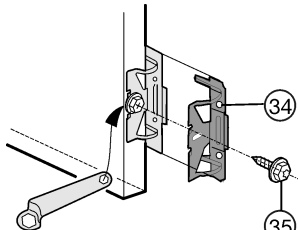


Fig. 12

Si las paredes del mueble tienen un grosor de 5/8" (16 mm) = habitáculo de 22-23/64" (568 mm) de ancho:

- ▶ Sujete la pieza distanciadora Fig. 13 (23) en las bisagras superiores y la pieza distanciadora Fig. 9 (24) en las bisagras inferiores.
- ▶ Coloque las cubiertas Fig. 14 (53) encima y debajo de la escuadra de fijación Fig. 14 (50).
- ▶ Fije la escuadra de fijación Fig. 14 (50) en la parte superior con tornillos Fig. 14 (55) y en la parte inferior con tornillos Fig. 9 (51) de forma que la escuadra pueda moverse ligeramente a la derecha y a la izquierda.

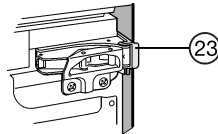


Fig. 13

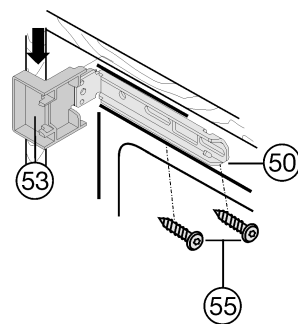


Fig. 14

- ▶ Retire la lámina protectora de la tira tapajunta Fig. 15 (22). Fije la tira tapajunta Fig. 15 (22) por el lado del tirador y delantero en la parte frontal de la cubierta Fig. 14 (53) y adhiérela a la pared lateral del aparato.
- ▶ Si es necesario, acorte la tira tapajunta Fig. 15 (22). Coloque la cubierta Fig. 9 (54) en la escuadra de fijación inferior Fig. 14 (50) y acorte la tira tapajunta Fig. 15 (22) en el borde superior de la cubierta.
- ▶ Vuelva a retirar la cubierta Fig. 9 (54).

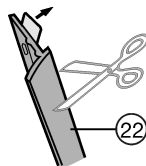


Fig. 15

Inserción y alineación del aparato:

Si las paredes del mueble tienen un grosor de 5/8" (16 mm) = habitáculo de 22-23/64" (568 mm) de ancho:

- ▶ No deje que las piezas distanciadoras alcancen la pared lateral del mueble.

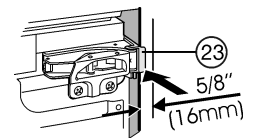


Fig. 16

Si las paredes del mueble tienen un grosor de 3/4" (19 mm) = habitáculo de 22-1/8" (562 mm) de ancho:

- ▶ Alinee los cantos delanteros de las bisagras a ras de la pared lateral del mueble.

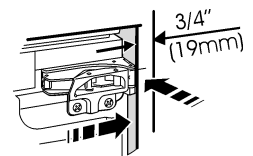


Fig. 17

Si los muebles (5/8" (16 mm) y 3/4" (19 mm)) tienen piezas de tope de la puerta (botones, labios obturadores, etc.):

- ▶ Tenga en cuenta la medida de montaje (profundidad de las piezas de tope de la puerta). Deje que las bisagras sobresalgan en la medida de montaje.
- ▶ Inserte el aparato hasta que las cubiertas Fig. 14 (53) alcancen la pared lateral del mueble Fig. 14.
- ▶ Alinee el aparato en posición vertical mediante las patas de ajuste Fig. 9 (25) con la llave de boca Fig. 9 (26) suministrada.
- ▶ Ahora el aparato está colocado correctamente en función de la profundidad. La distancia desde el borde delantero de la pared lateral del mueble hasta el cuerpo del aparato es de 1-21/32" (42 mm) en todo el perímetro. (Tenga en cuenta las piezas de tope de la puerta como, por ejemplo, botones y labios obturadores.)

Nota

¡Un montaje incorrecto puede provocar averías funcionales!

Si no se respeta la distancia, puede que la puerta no se cierre. Esto puede provocar la formación de hielo y de agua de condensación, así como averías funcionales.

- ▶ Es indispensable respetar la distancia en todo el perímetro de 1-21/32" (42 mm). (Tenga en cuenta las piezas de tope de la puerta como, por ejemplo, botones y labios obturadores.)

Atornille el aparato en el habitáculo:

- ▶ Atornille el aparato a ambas puertas con tornillos para tablero de partículas Fig. 18 (29) en las partes superior e inferior a través de las lengüetas de bisagra.

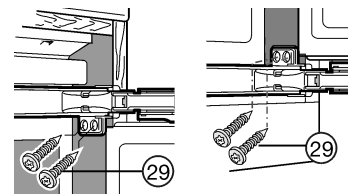


Fig. 18

Lado del tirador superior:

- ▶ Afloje ligeramente los tornillos Fig. 19 (55).
- ▶ Atornille la escuadra de fijación Fig. 19 (50) superior con el tornillo para tablero de partículas Fig. 19 (29) en la pared del mueble.
- ▶ Saque el extremo saliente de la cubierta Fig. 19 (53).
- ▶ Apriete los tornillos Fig. 19 (55).
- ▶ Coloque la cubierta Fig. 19 (53).

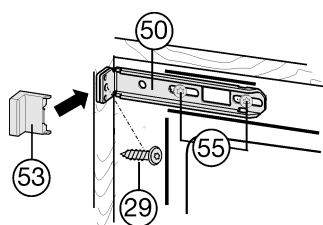


Fig. 19

Lado del tirador inferior:

- ▶ Afloje ligeramente los tornillos Fig. 20 (51).
- ▶ Atornille la escuadra de fijación Fig. 20 (50) inferior con el tornillo para tablero de partículas Fig. 20 (29) en la pared del mueble.
- ▶ Saque el extremo saliente de la cubierta Fig. 20 (53).
- ▶ Apriete los tornillos Fig. 20 (51).
- ▶ Coloque la cubierta Fig. 20 (54) en la escuadra de fijación Fig. 20 (50) inferior.
- ▶ Desplace el panel de compensación Fig. 11 (20) hasta el tope del lado del tirador.
- ▶ Cierre la puerta del aparato.

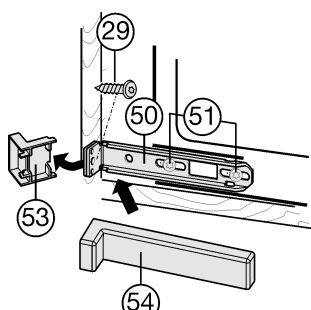


Fig. 20

- ▶ Desatornille el travesaño de fijación Fig. 22 (31) mediante las contratruercas Fig. 22 (32).
- ▶ Enganche el travesaño de fijación Fig. 22 (31) con las ayudas de montaje Fig. 22 (30) en la cara interior de la puerta del mueble.

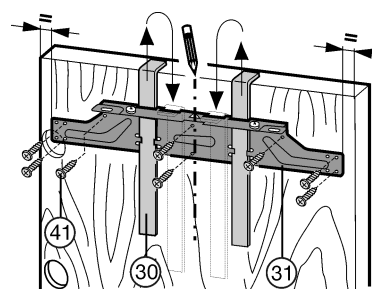


Fig. 22

Con habitáculo de 23-5/8 " (600 mm) de ancho:

- ▶ Alinee el travesaño de fijación Fig. 22 (31) centrado: trace una línea central corta en la puerta del mueble y coloque encima la punta de la flecha del travesaño.
- ▶ Las distancias hasta el borde exterior son idénticas a izquierda y derecha.

Con habitáculo de 24 " (609.6 mm) de ancho:

- ▶ Alinee el travesaño de fijación Fig. 22 (31): trace una línea central corta en la puerta del mueble y coloque encima la punta de la flecha del travesaño. A continuación, desplace el travesaño de fijación Fig. 22 (31) 7/32 " (5.5 mm) hasta el lado de la bisagra.

Para puertas de madera contrachapada:

- ▶ Atornille el travesaño de fijación Fig. 22 (31) con 6 tornillos Fig. 22 (41) como mínimo.

En el caso de puertas de cassette:

- ▶ Atornille el travesaño de fijación Fig. 22 (31) con 4 tornillos Fig. 22 (41) en el borde.
- ▶ Extraiga las ayudas de montaje Fig. 22 (30) hacia arriba e introdúzcalas invertidas en los orificios de alojamiento adyacentes.

6.2 Montaje de las puertas del mueble

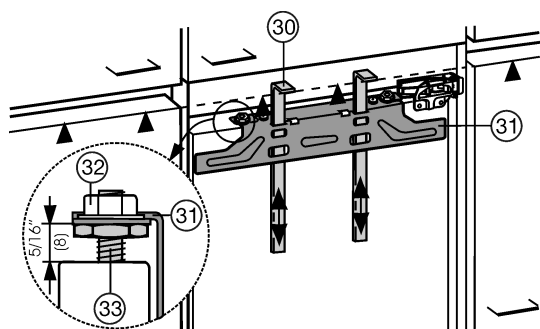


Fig. 21

Es preciso disponer de ayudas de montaje Fig. 21 (30) para montar ambas puertas. Por ello, monte las puertas del mueble de manera consecutiva.

- ▶ Compruebe el preajuste de 5/16 " (8 mm). (Distancia entre la puerta del aparato y el borde inferior del travesaño)
- ▶ Desplace hacia arriba las ayudas de montaje Fig. 21 (30) a la altura de la puerta del mueble. Borde de tope inferior ▲ de la ayuda de montaje = borde superior para la puerta de mueble que va a montarse.

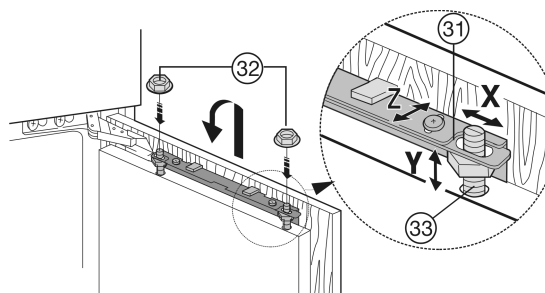


Fig. 23

- ▶ Enganche la puerta del mueble en los pernos de ajuste Fig. 23 (33) y atornille ligeramente las contratruercas Fig. 23 (32) en los pernos de ajuste.
- ▶ Cierre la puerta.
- ▶ Compruebe la distancia de la puerta hasta las puertas de muebles circundantes.
- ▶ Alinee lateralmente la puerta del mueble: Desplace la puerta del mueble en dirección X.
- ▶ Alinee la puerta del mueble en cuanto a altura e inclinación lateral: ajuste los pernos de ajuste Fig. 23 (33) con un destornillador.
- ▶ La puerta del mueble está enrasada con los frentes de muebles circundantes.
- ▶ Apriete las contratruercas Fig. 23 (32).

Montaje

Preste atención a que ambos bordes de metal estén enrasados, símbolo //:

► taladre previamente los agujeros de fijación en la puerta del mueble (dado el caso, grábelos previamente con un buril).

► Atornille la puerta del aparato con los tornillos Fig. 24 (41) a través de las escuadras de fijación Fig. 24 (34) en la puerta del mueble.

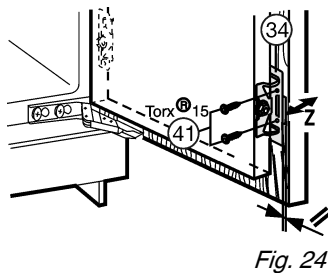


Fig. 24

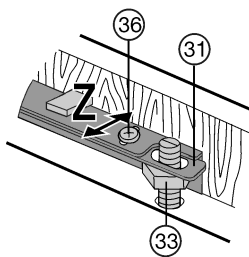
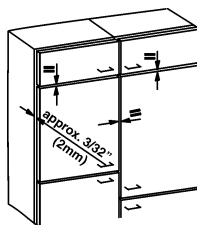
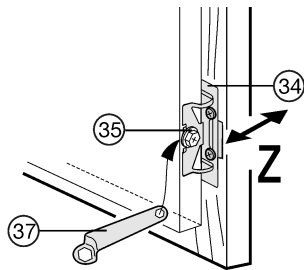


Fig. 25

► Alinee el aparato teniendo en cuenta la profundidad Z: suelte los tornillos Fig. 25 (36) en la parte superior y los tornillos de cabeza hexagonal Fig. 25 (35) en la parte inferior con la llave anular Fig. 25 (37) suministrada y, a continuación, desplace la puerta.

► No deje que los botones y labios obturadores choquen - ¡es importante para el funcionamiento!

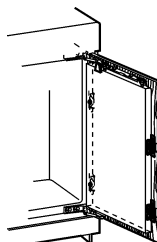
► Deje una distancia de 5/64 " (2 mm) entre la puerta del mueble y el cuerpo del mueble.



Para puertas de muebles grandes:

► Monte un 3er par de escuadras de fijación Fig. 25 (34).

► Para ello, utilice los agujeros pretaladrados de la puerta del aparato en el área del tirador.



► Compruebe que la puerta está bien asentada y, dado el caso, reajústela.

► Apriete todos los tornillos.

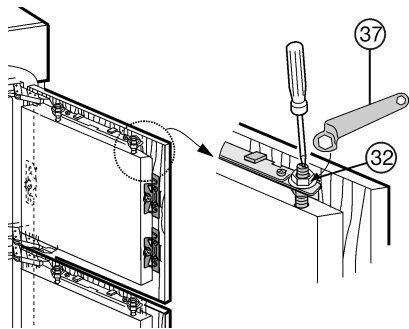


Fig. 26

► Apriete las contratuercas Fig. 26 (32) con la llave anular Fig. 26 (37) sujetando los pernos de ajuste Fig. 26 (33) con un destornillador.

► Coloque y encaje las cubiertas Fig. 27 (38) superiores.

► Coloque las cubiertas laterales Fig. 27 (39), desplácelas hasta el tope y presione hasta que encajen de forma perceptible.

► Desplace lateralmente las cubiertas Fig. 27 (40) y tire hacia delante con un destornillador para que encajen.

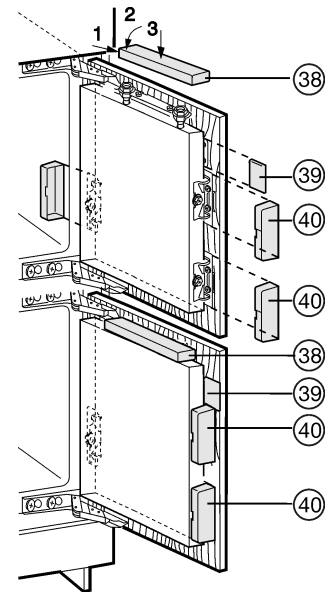


Fig. 27

Con habitáculo de 24 " (609.6 mm) de ancho:

► Coloque y encaje las cubiertas Fig. 9 (6,7,60).

Con habitáculo de 23-5/8 " (600 mm) de ancho:

► Coloque y encaje las cubiertas Fig. 9 (5,6,7).

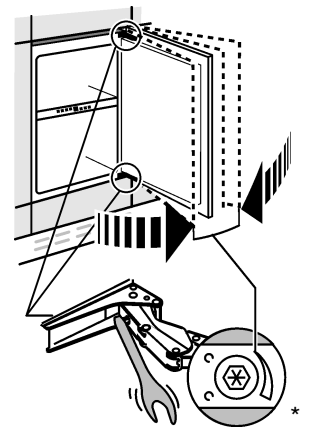
Ajuste de la suspensión del tope final en aparatos sin amortiguador de cierre:

Si fuera necesario, la suspensión del tope final de la puerta se puede ajustar con la llave hexagonal suministrada:*

► Mayor fuerza elástica: gire en el sentido de las agujas del reloj.*

► Menor fuerza elástica (estado de entrega): gire en el sentido contrario a las agujas del reloj.*

► Coloque las demás cubiertas en las bisagras.*



Compruebe los siguientes puntos para garantizar que el aparato se ha instalado correctamente. De lo contrario, se pueden producir la formación de hielo y de agua de condensación, así como averías funcionales:

► La puerta debe cerrar correctamente

► La puerta del mueble no debe entrar en contacto con el cuerpo del mueble

► La junta situada en la esquina superior por el lado del tirador debe estar bien ajustada. Para comprobarlo, oscurezca la estancia, coloque una linterna en la parte superior del interior del aparato y cierre la puerta. Si sale luz, compruebe el montaje.

7 Conexión del aparato



ADVERTENCIA

¡Peligro de descarga eléctrica!

- ▶ El aparato ha de ponerse en funcionamiento después de instalarlo conforme a las instrucciones indicadas anteriormente.
- ▶ Conexión a tierra del aparato
- ▶ No conecte a tierra el aparato sobre un tubo de gas.
- ▶ Solicite a un electricista que compruebe la instalación si no tiene la certeza de que el aparato se ha conectado a tierra conforme a las especificaciones.
- ▶ En el circuito eléctrico del conductor neutro o en la conexión toma a tierra no debe montarse ningún fusible.
- ▶ No utilice ningún cable prolongador ni tomas de corriente de vías múltiples.
- ▶ No utilice ningún cable de alimentación eléctrica gastado o dañado.



ADVERTENCIA

¡Peligro de descarga eléctrica!

Como medida de protección contra descargas eléctricas, este aparato está equipado con un enchufe trifásico a prueba de polarización inversa. La toma de corriente debe estar conectada a tierra debidamente.

- ▶ No retire las clavijas redondas de la toma de conexión a tierra del conector.
- ▶ No utilice ningún adaptador para tomas de corriente bipolares.

- La toma de corriente debe disponerse de forma que su borde superior se encuentre a una distancia máxima de 82-5/8 pulg (2100 mm) del borde superior de la placa base del mueble de cocina.

- Espere entre 30 minutos y 1 hora después de la instalación para conectar el aparato a la red eléctrica. De este modo puede distribuirse el refrigerante y el aceite de la máquina frigorífica conforme a las especificaciones.
- Asegúrese de que la tensión de la red eléctrica coincide con la tensión de conexión del aparato. Para utilizar el aparato es necesario disponer de un suministro eléctrico de 110 - 120 voltios, a 60 Hz y 15 amperios (20 amperios en el montaje Side-by-Side) que ha de estar protegido mediante un interruptor principal o un fusible.
- El fabricante recomienda utilizar el aparato en un circuito independiente para evitar la sobrecarga eléctrica.
- Al instalar la toma de corriente y/o el aparato, es preciso observar todas las disposiciones legales referentes a la instalación electrónica, la protección contra incendios y las normas de montaje.
- En determinados países es obligatorio conectar el aparato al suministro eléctrico mediante un interruptor de entrada/salida (EIN/AUS) montado en la pared.
- Para reducir el riesgo de incendio, descarga eléctrica u otros daños, la instalación y la conexión del aparato deben realizarse a cargo de un electricista conforme a las disposiciones y normas competentes, incluidas las disposiciones relativas a la protección contra incendios.
- Se recomienda limpiar el aparato antes de ponerlo en servicio por primera vez (Para obtener más información, consulte el capítulo "Limpieza").

This page intentionally left blank.

Cette Page a intentionnellement quitté le blanc.

Esta Página intencionadamente se marchó en blanco.

This page intentionally left blank.

Cette Page a intentionnellement quitté le blanc.

Esta Página intencionadamente se marchó en blanco.

For Service and Parts in the U.S.:

Liebherr Service Center

15545 N. 77th Street
Scottsdale, AZ 85260
Phone: (480) 998-0141
Fax: (480) 998-7877

Toll Free: 1-866-LIEBHERR or 1-866-543-2437

www.liebherr-appliances.com

For Service and Parts in Canada:

EURO-LINE APPLIANCES

2278 Speers Rd.
Oakville, Ontario, L6L 2X8
Phone: (905) 829-3980
Fax: (905) 829-3985

Toll Free: 1-888-Liebherr or 1-888-543-2437

www.euro-parts.ca

www.liebherr-appliances.com