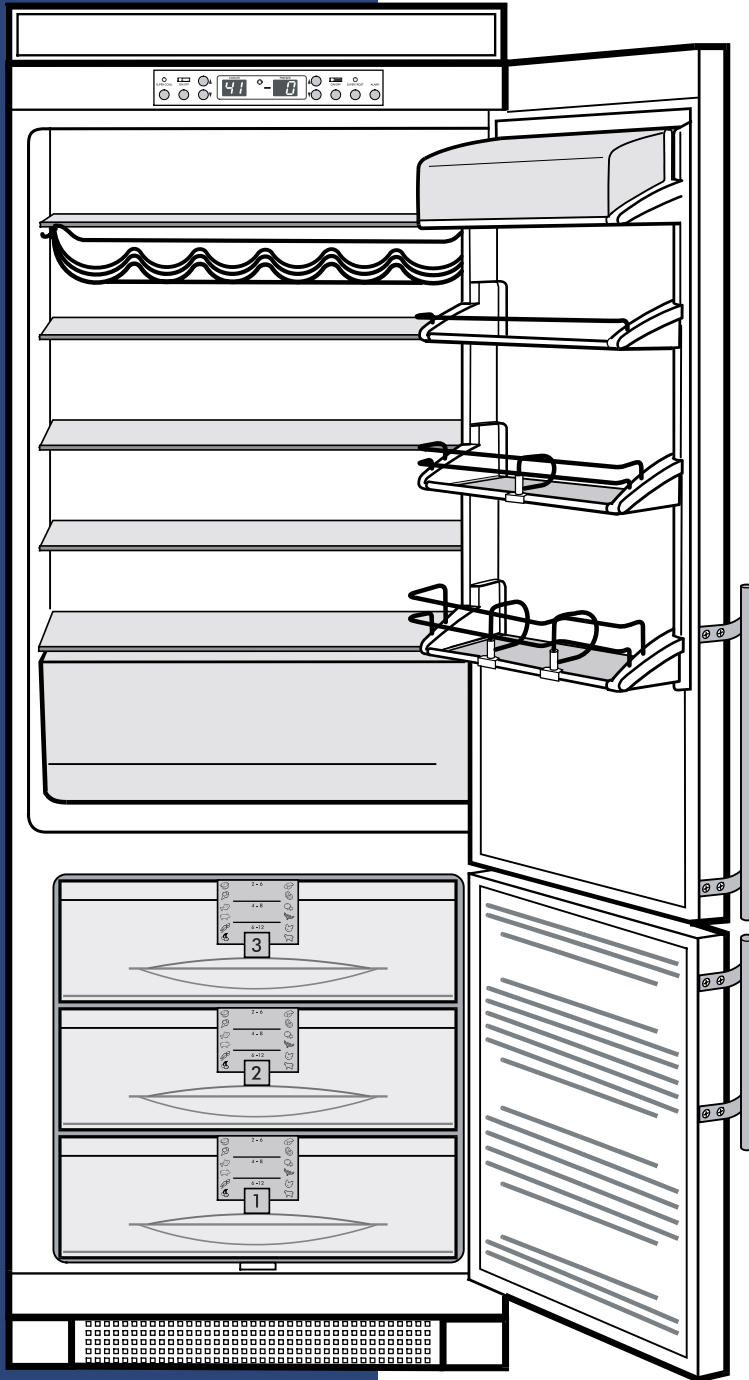


LIEBHERR



Installation Instructions

For Built-In NoFrost Combined
Refrigerator-Freezers

C 16
CI 16
7080 007-00

IMPORTANT

PLEASE READ AND FOLLOW THESE INSTRUCTIONS

These instructions contain Warning and Caution statements. This information is important for safe and efficient installation.

Always read and follow all Warning and Caution statements!



WARNING

States a hazard that may cause serious injury or death if precautions are not followed.



CAUTION

Signals a situation where minor injury of product damage may occur if you do not follow instructions.

IMPORTANT

This highlights information that is especially relevant to a problem-free installation.

Make sure incoming voltage is the same as the unit rating.

To reduce the risk of fire, electric shock, or personal injury, installation work and electrical wiring must be done by a qualified electrician in accordance with all applicable codes and standards, including fire-rated construction.

TO THE INSTALLER

It is very important that the guidelines and instructions are followed in the manual to ensure proper installation and operation of the unit. The Installation Guidelines section contains important information for making sure the installation is correct. Read and understand all the information in Installation Guidelines, and in this manual before the unit is installed.

Contents

Page

Planning Information	
Cabinet Opening Dimensions.....	4
Unit Dimensions.....	5
Integrating Cabinetry CI 16	
Framed Panels.....	6
Overlay Panels.....	7
Handle Clearance.....	8
Door Swing Clearance 130°.....	9
Door Swing Clearance 90°.....	10
Integrating Cabinetry C 16	
Door Swing Clearance 130°.....	11
Door Swing Clearance 90°.....	12
Mounting the Upper Ventilation Grille.....	13
Leveling the Refrigerator.....	13
Blocking for Safety.....	14
Door Stop Adjustment.....	15

INSTALLATION GUIDELINES

Area Requirements

Verify the following:

- Floors can support refrigerator's weight plus approximately 1200 pounds (544 kg) of food weight.
- Finish kitchen floor height is level. Refrigerator must be shimmed to the floor level if the floor heights are not equal to make sure air vents are not obstructed.
- Remove anything attached to rear or side walls that can obstruct refrigerator opening.
- Cutout dimensions are accurate.
- Electrical outlet is in correct location.

Do not install this refrigerator-freezer next to any other refrigerator or model except another Liebherr model. Liebherr models are designed to allow side-by-side installation. They are equipped with a heating system to eliminate condensation when refrigerators or freezers are installed side-by-side. Installing this refrigerator-freezer next to any other refrigerator or freezer can cause condensation or cause damage to the Liebherr refrigerator-freezer.

Electrical Requirement

If codes require a separate grounding circuit to be used, have a qualified electrician install the circuit.



WARNING

Do not ground to a gas pipe. Check with a qualified electrician if you are not sure the appliance is properly grounded. Do not have a fuse in the neutral or grounding circuit.



WARNING

ELECTRICAL SHOCK HAZARD

- **Electrically ground refrigerator.**
- **Do not use an extension cord.**
- **Failure to follow these instructions could result in fire or electrical shock.**



WARNING

ELECTROCUTION HAZARD

Electrical Grounding Required. This appliance is equipped with a three-prong (grounding) polarized plug for your protection against possible shock hazards.

- **DO NOT remove the round grounding prong from the plug.**
- **DO NOT use a two-prong grounding adapter.**
- **DO NOT use an extension cord to connect power to the unit.**

Customer's Responsibility

A 115 Volt, 60 Hz, 15 Amp (20 Amp for side-by-side installation) fused electrical supply is required. We recommend using a dedicated circuit for this appliance to prevent electrical overload. Follow the National Electrical Code and local codes and ordinances when installing the receptacle.

Blocking For Safety

The anti-tip brackets must be installed to prevent the unit from tipping after it is installed. Refer to Blocking For Safety.

Unit Venting

DO NOT restrict the air flow. Air flow must be provided for the unit to operate. The factory air vents provide 31 square inches (200 cm²) of air flow. If you are replacing the factory air vents with an overlay, the air flow must be the same or greater than the factory air vents.

Reversing the Door Hinges

If the hinges and door handles are reversed, you must obtain the Reverse Set. The Reverse Set is not included with the unit. Contact your Liebherr retailer, only for CI 16 unit. The door handles must be installed before the screw covers are installed. If you fail to install the handles before the screw covers, you can damage the covers. The screw covers are taped to the unit door during shipping. Use care when removing the covers.

PLANNING INFORMATION

Cabinet Opening Dimensions

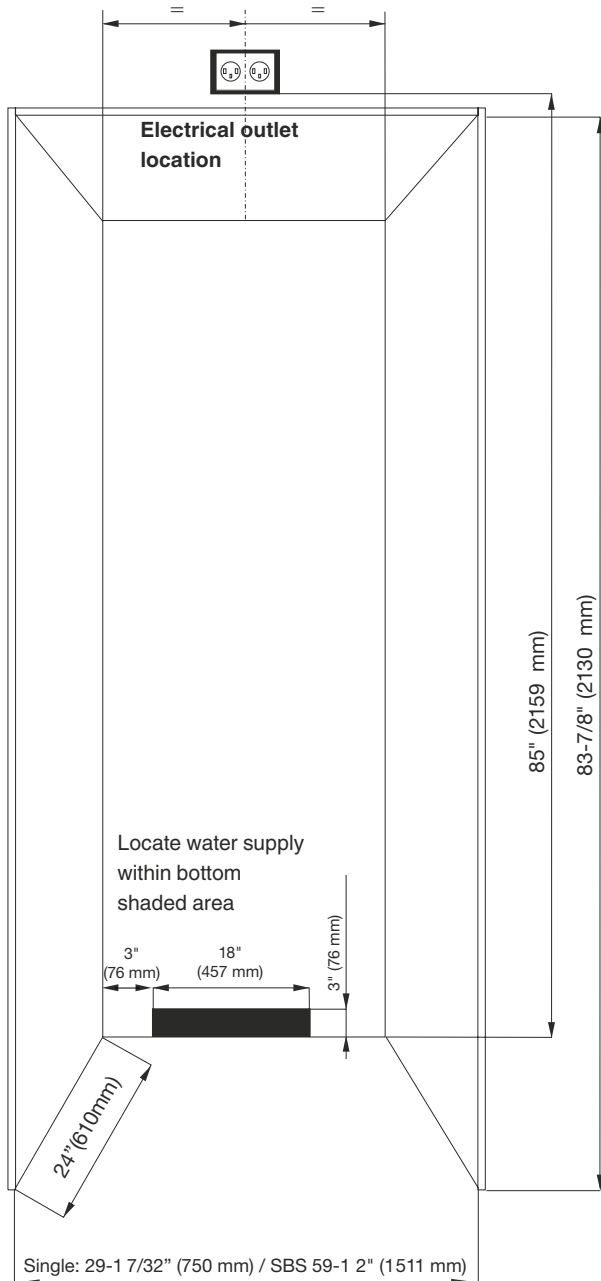


Figure 1

Allow units to open a minimum of 90° to prevent problems removing drawers. With the door opening 90°, you may have to move drawers slightly to clear the door interior.

Allow for a minimum 2" (51 mm) filler, for corner installations, so the door can open to 90°. If you're using raised panels, consider using a wider filler.

IMPORTANT

Refer to the minimum door clearances and illustrations at the end of this section for specifics on door openings and filler size alternatives.

NOTE:

The given cabinet opening height dimension includes top air vent. If you choose to place the vent above the cabinet or in a soffit, you will need to adjust the height dimension accordingly.

PLANNING INFORMATION

Unit Dimensions

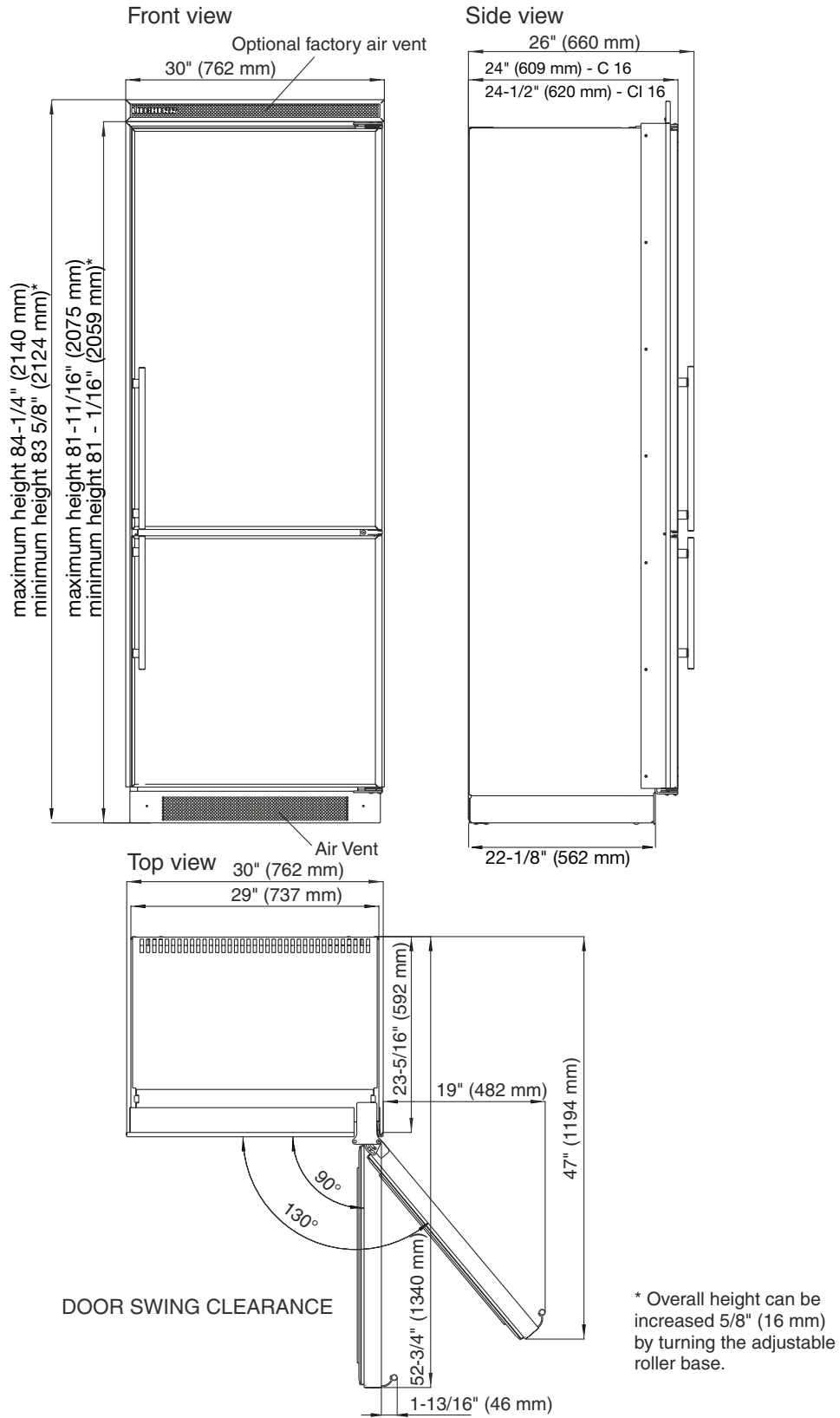


Figure 2

INTEGRATING CABINETRY - CI 16 ONLY

Framed Panels

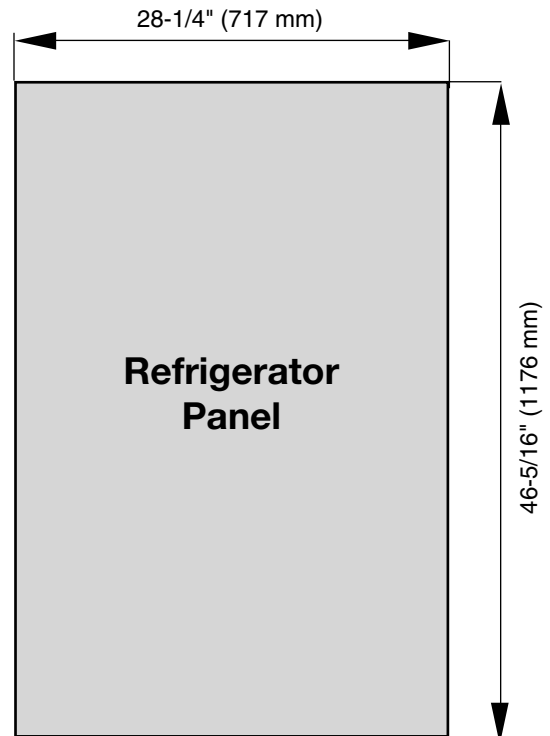
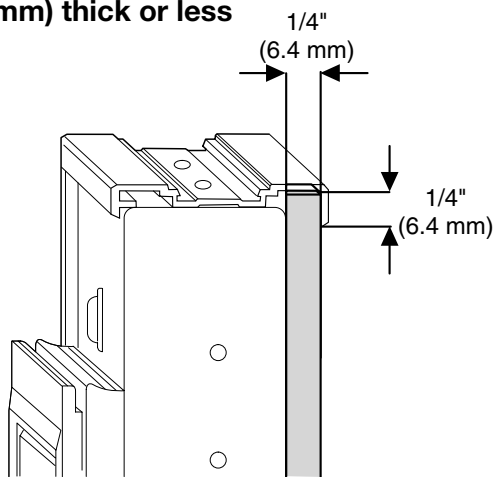
If the thickness of the custom panels is less than 1/4" (6.4 mm), they must be backed up with a sheet of shim material to build the total thickness to 1/4" (6.4 mm).

If the panel is thicker than 1/4" (6.4 mm), an edge must be routed around the panel to ensure a proper fit.

The door handles must be installed before the screw covers are installed. If you fail to install the handles before the screw covers, you can damage the covers. The screw covers are taped to the unit doors during shipping. Use care when removing covers.

The door panel weight must not exceed 25 lb (11.3 kg).

Panels 1/4" (6.4 mm) thick or less



Panels thicker than 1/4" (6.4 mm)

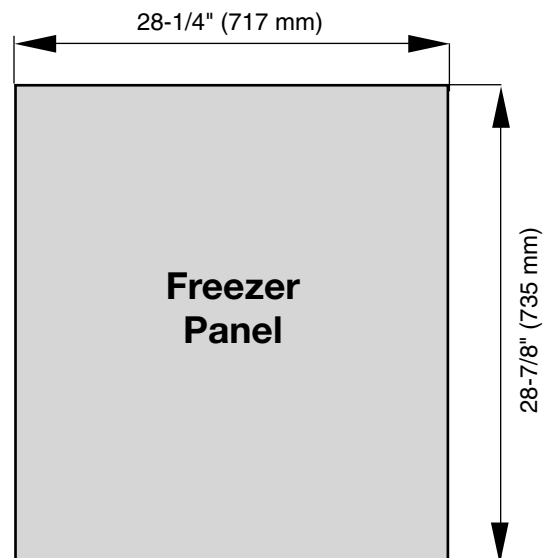
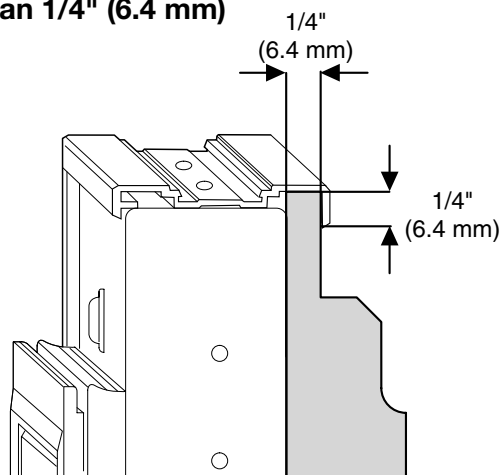


Figure 3

INTEGRATING CABINETRY - CI 16 ONLY

Overlay Panels

The overlay design line allows decorative panels to cover the door trim for a more seamless appearance that blends with the design of the room. To achieve this look, the most common way is to work with three panels, the decorative overlay panel, a 3/32" (2.5 mm) spacer panel and a 1/4" (6.4 mm) backer panel.

Depending on your cabinet manufacturer, this could be one panel routed for different dimensions or, more likely, three different panels.

Use the same Panel dimensions for Single and Side by Side installations.

IMPORTANT

If you are replacing the factory air vents with an overlay, DO NOT restrict the air flow. The air flow must be the same or greater than the factory air vents of 31 square inches (200 cm²).

The door handles must be installed on the overlay panels before the screw covers are installed. If you fail to install the handles on the overlay panels before the screw covers, you can damage the covers. The screw covers are taped to the unit doors during shipping. Use care when removing covers.

The door panel weight must not exceed 25 lb (11,3 kg).

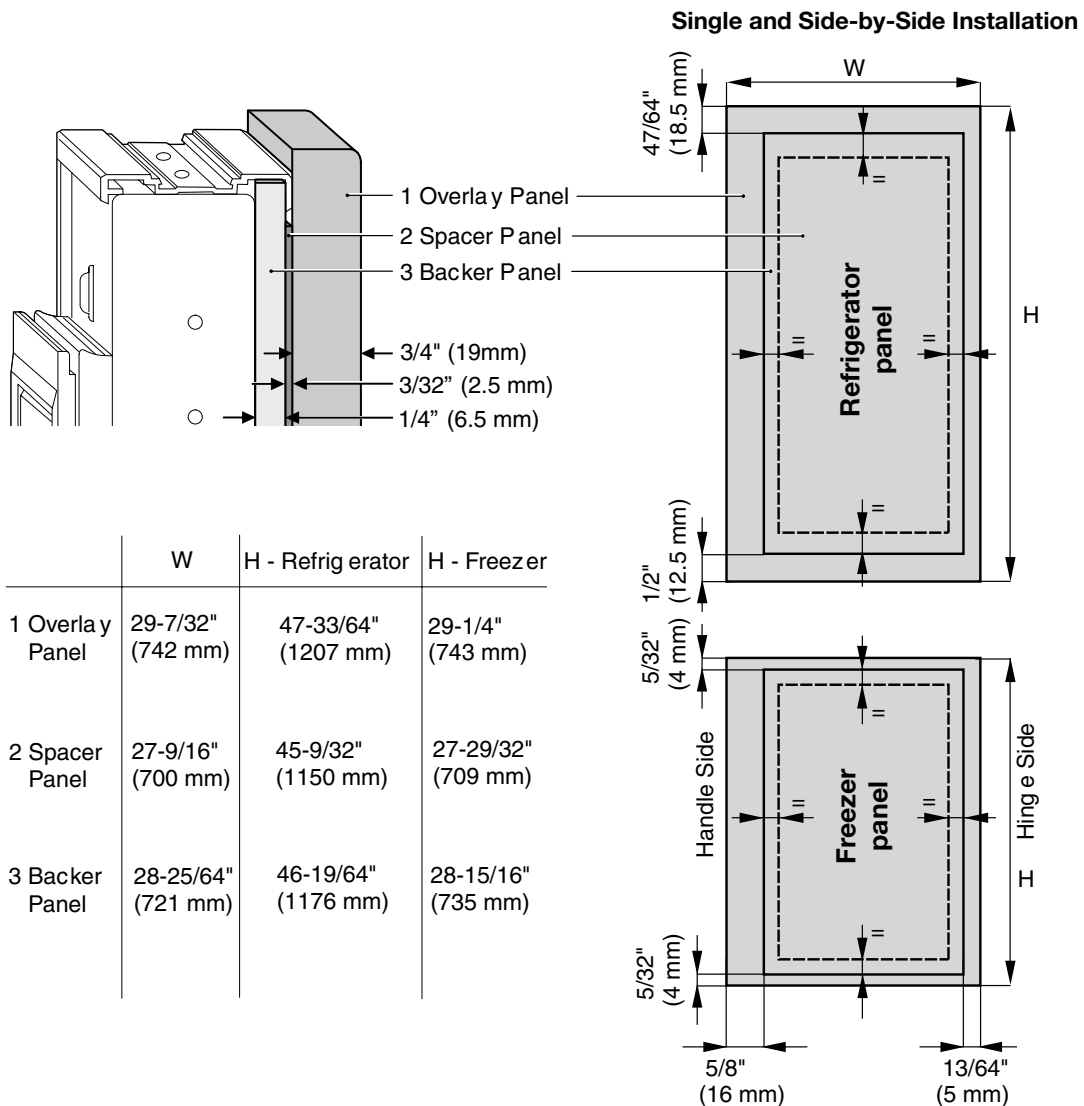


Figure 4

INTEGRATING CABINETRY - CI 16 ONLY

Handle Clearance

It is important to provide adequate clearance behind the handle so that the user's hand fits easily. The clearance may not have to be the entire length of the handle, but should be designed for user's comfort.

Please note that for framed installations, the optional factory Liebherr handles must be ordered.

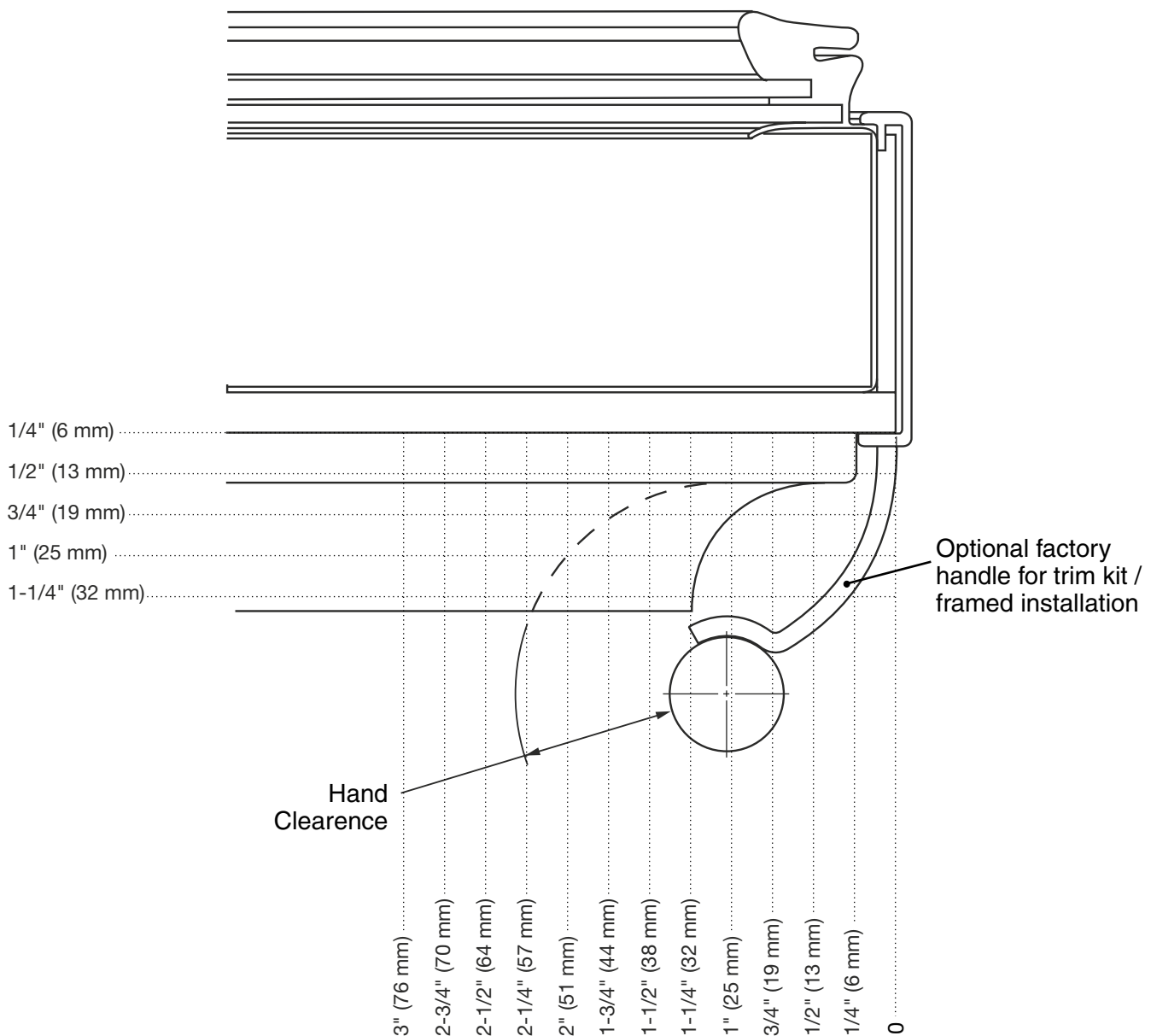


Figure 5

INTEGRATING CABINETRY - CI 16 ONLY

Door Swing Clearance 130° CI 16

The factory setting for the door to swing open is 130°. Use this illustration to ensure other cabinets or counters do not interfere with the door opening.

Frameless cabinets: The casing trim overlaps the cabinets at the side and top. Cabinets may require filler strips to prevent interference with the cabinet door swing. The door opening must allow for filler strips.

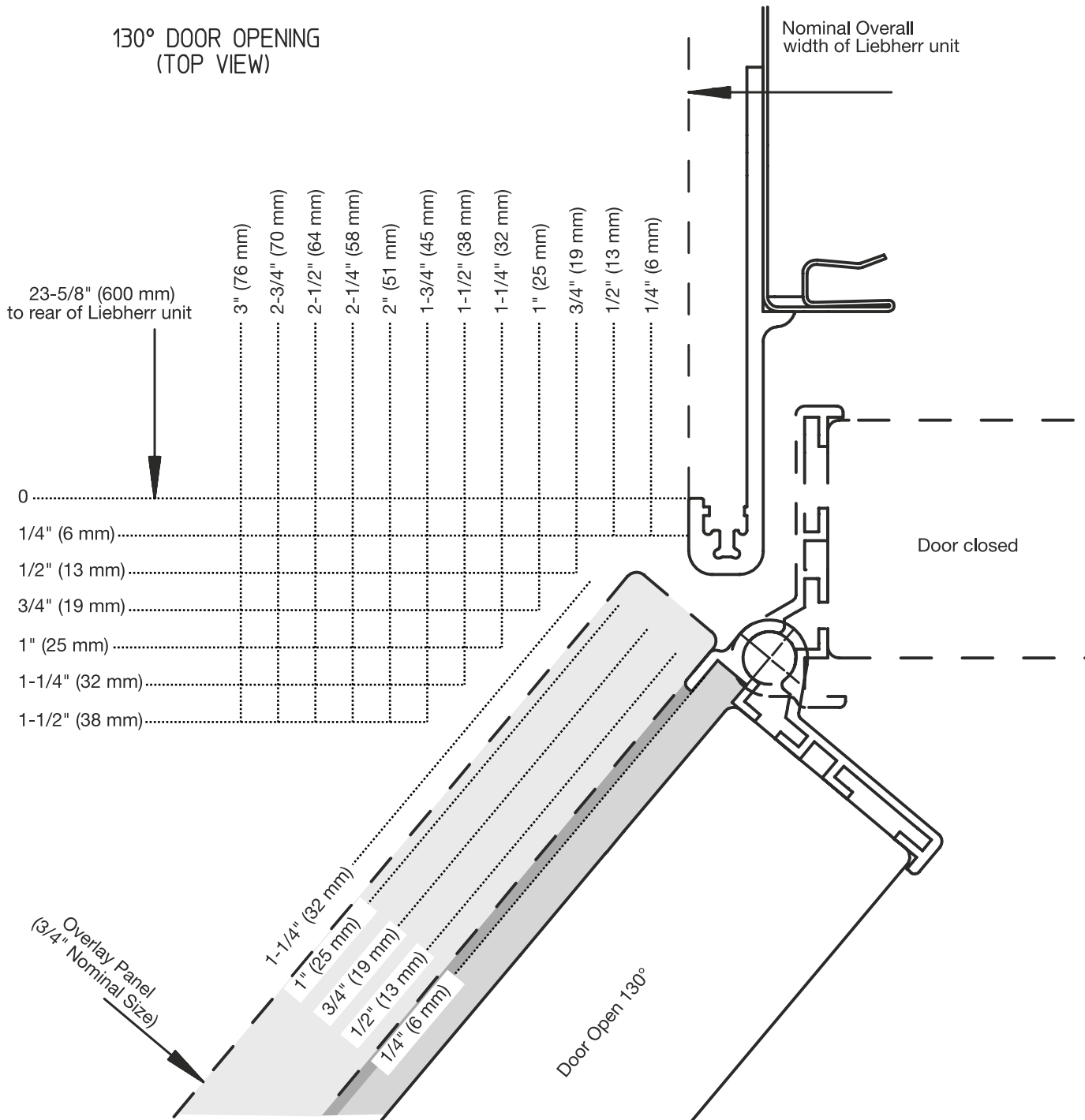


Figure 6

INTEGRATING CABINETRY - CI 16 ONLY

Door Swing Clearance 90° CI 16

The optional setting for the door to swing open is 90°. Use this illustration to ensure other cabinets or counters do not interfere with the door opening.

Frameless cabinets: The casing trim overlaps the cabinets at the side and top. Cabinets may require filler strips to prevent interference with the cabinet door swing. The door opening must allow for filler strips.

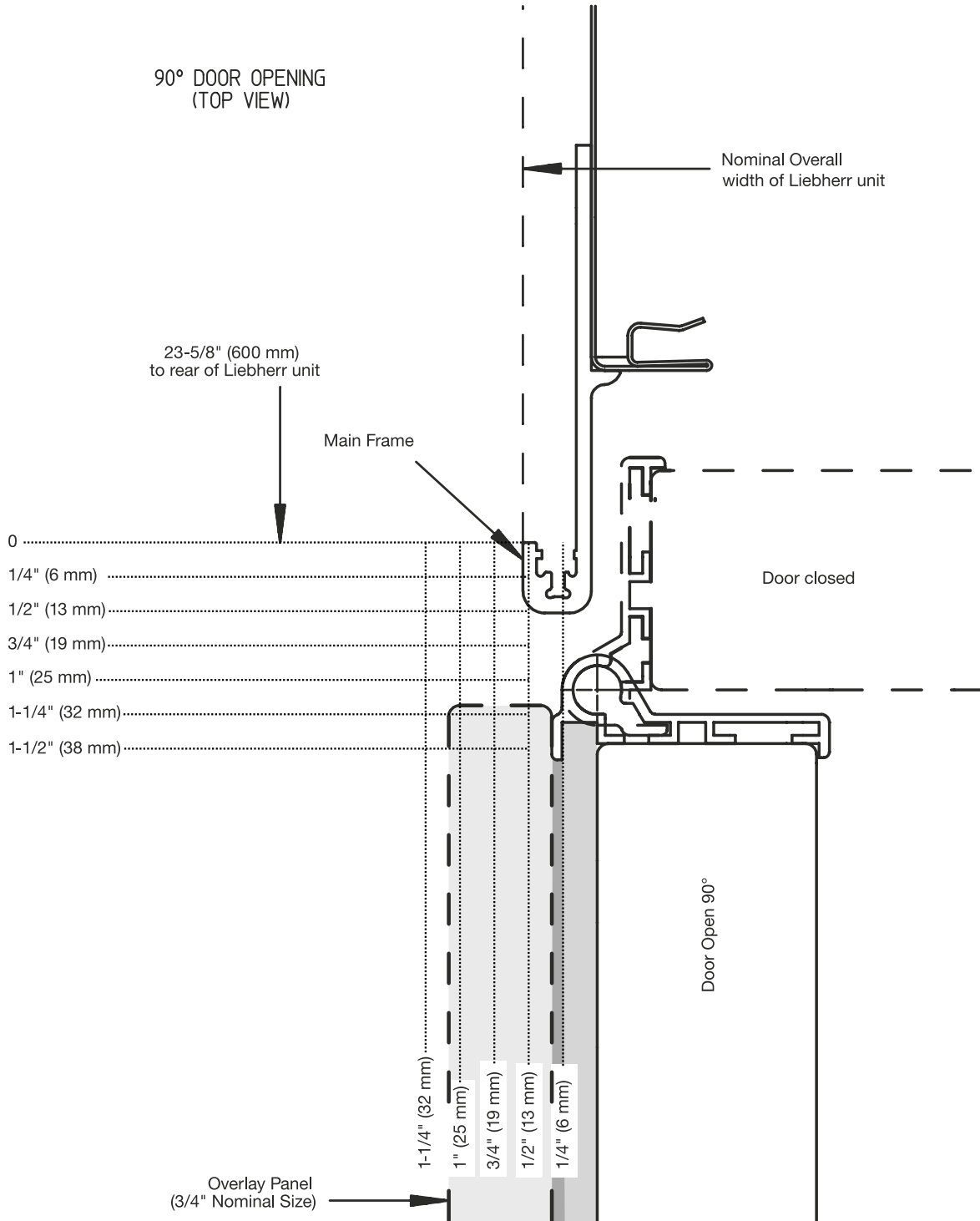


Figure 7

INTEGRATING CABINETRY - C 16 ONLY

Door Swing Clearance 130° C 16

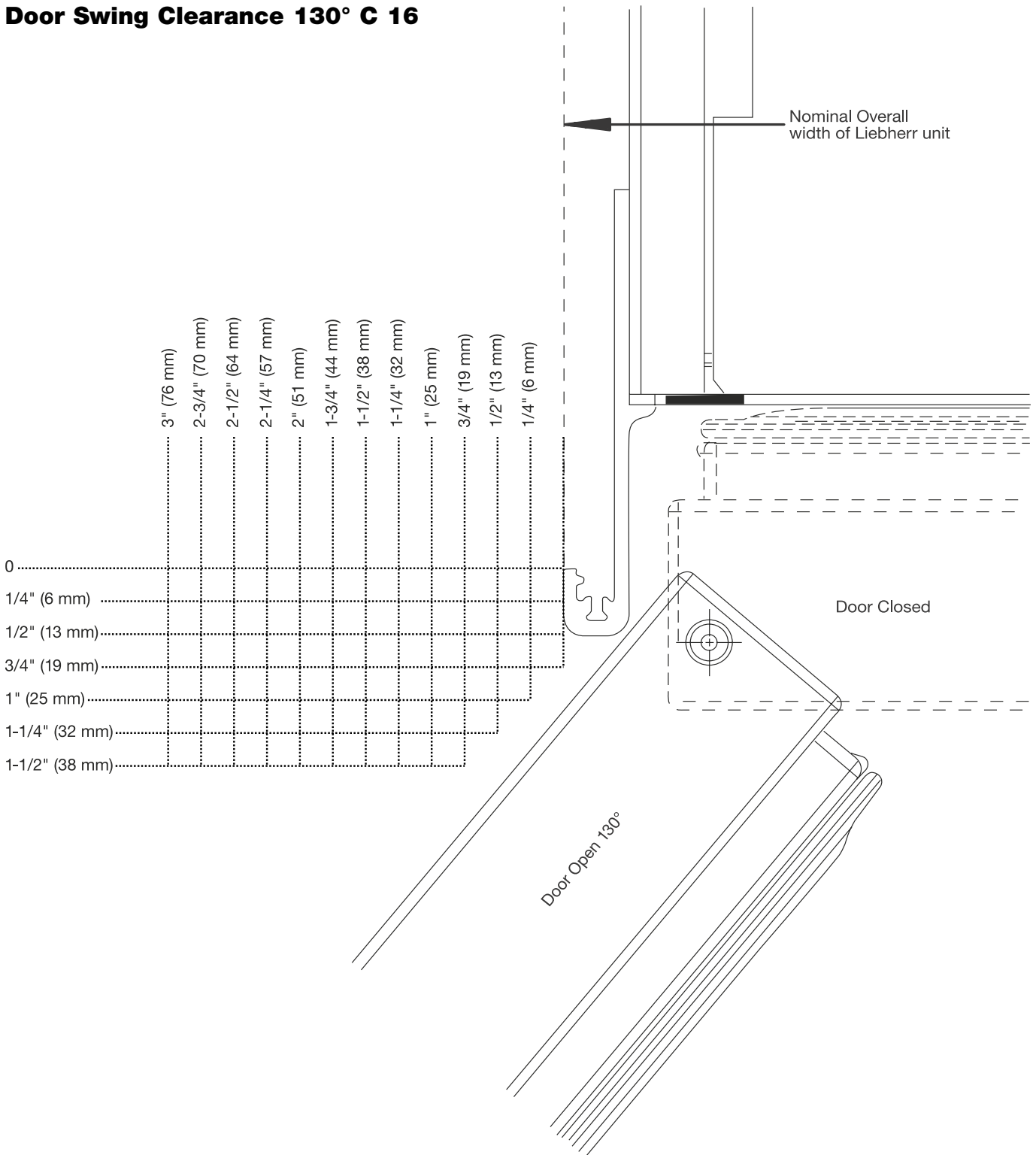


Figure 8

INTEGRATING CABINETRY - C 16 ONLY

Door Swing Clearance 90° C 16

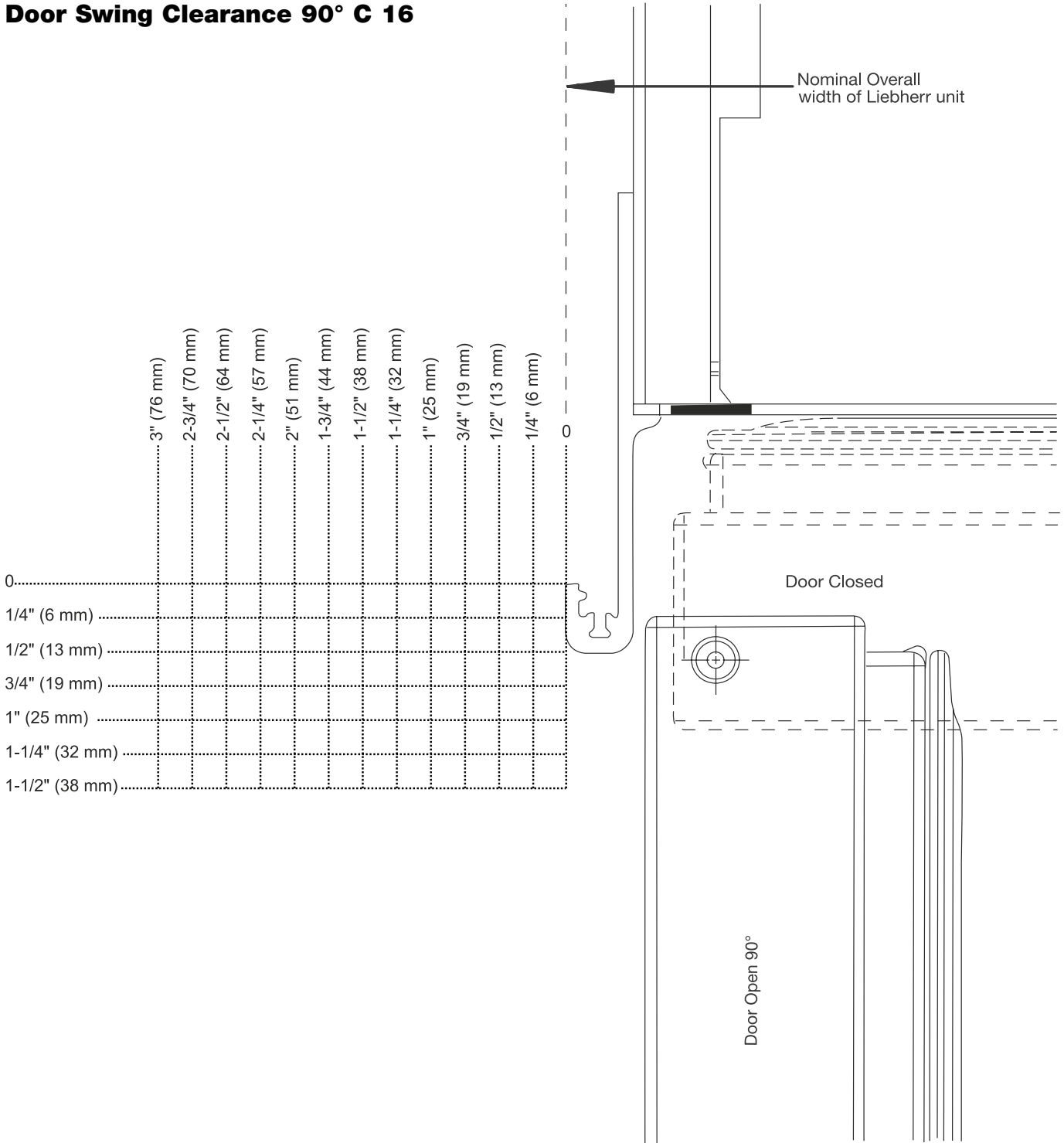


Figure 9

MOUNTING THE UPPER VENTILATION GRILLE

Position the ventilation grille at the top of the installation frame and attach it later with countersunk screws (4 pieces, provided). Make sure the grille fits flush laterally with the installation frame.

IMPORTANT

If you are replacing the factory air vents with an overlay, **DO NOT** restrict the air flow. The air flow must be the same or greater than the factory air vents of 31 square inches (200 cm²).

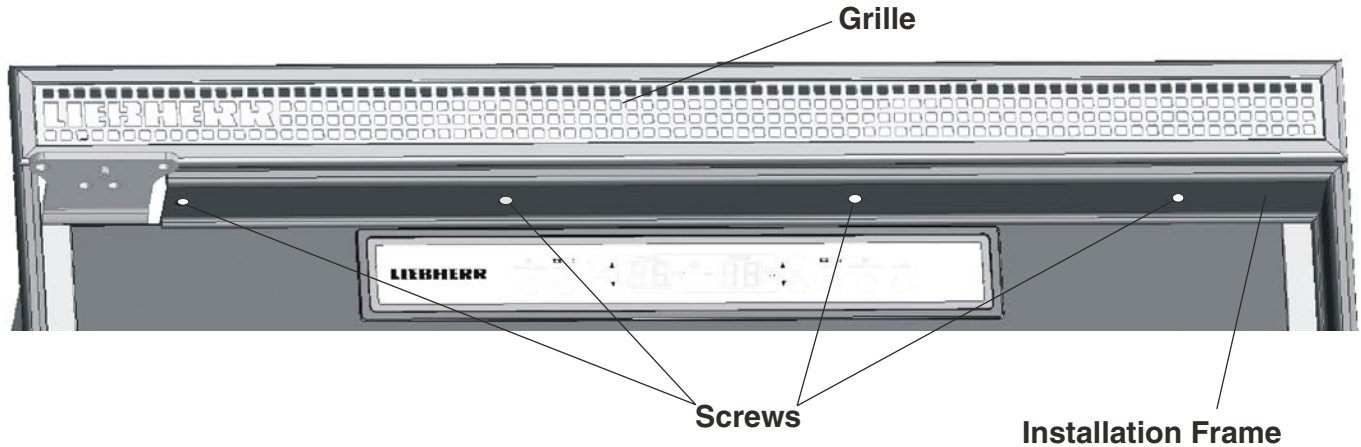


Figure 10

LEVELING THE REFRIGERATOR

1. Loosen the lower ventilation grille screws (Fig. 11, 1).
The height can be adjusted in front by twisting the leveling wheels (Fig. 11, 2).
2. Twist the adjusting bolt (Fig. 11, 3) to set up the back of the refrigerator.
3. Rotate leveling until firmly in place against the floor.
4. Align refrigerator with sides of kitchen cabinets by adjusting leveling wheels and the supports.
5. Install the ventilation grille.

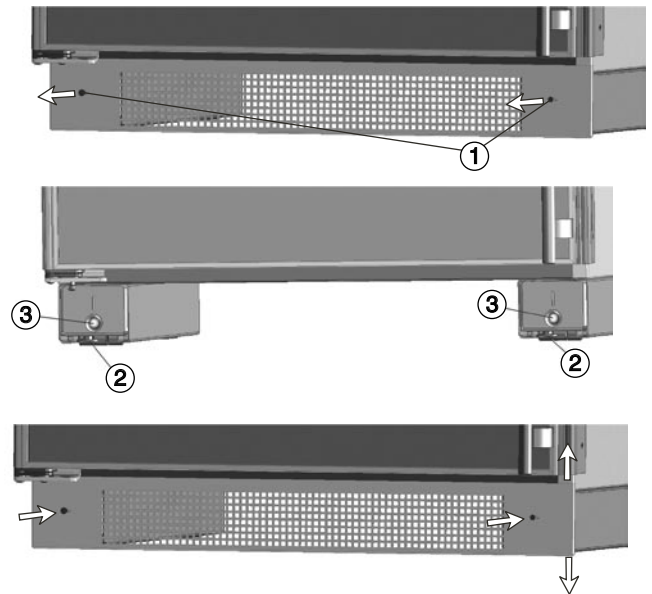


Figure 11

BLOCKING FOR SAFETY

Figure 12: Secure the appliance in place so it does not tip forward when the fully stocked door is opened. Two anti tipping brackets are included with the unit.

1. Mark the center of the appliance on the back wall.
2. Also mark the install height of the tipping brackets on the back wall .(Min. 3-3/8", Max 4").
3. Screw the first anti tipping bracket in a wall stud, make sure that it is within the 9-1/2" (241 mm) right or left from the center line of the appliance. The screws has to extend a minimum of 1-1/2" (38 mm) into the studs.

4. Place the second anti tipping bracket in a stud or in the wall using proper anchor material but within the maximum distance of the center line 9-1/2" (241 mm).
5. Push the appliance against the back wall.
6. Using the adjustable roller base, raise the unit until the compressor mounting plate makes contact with the brackets. Make sure the front levelers are firmly on the floor to prevent appliance from tipping forward.
Refer to "Leveling the Refrigerator" Fig. 11.

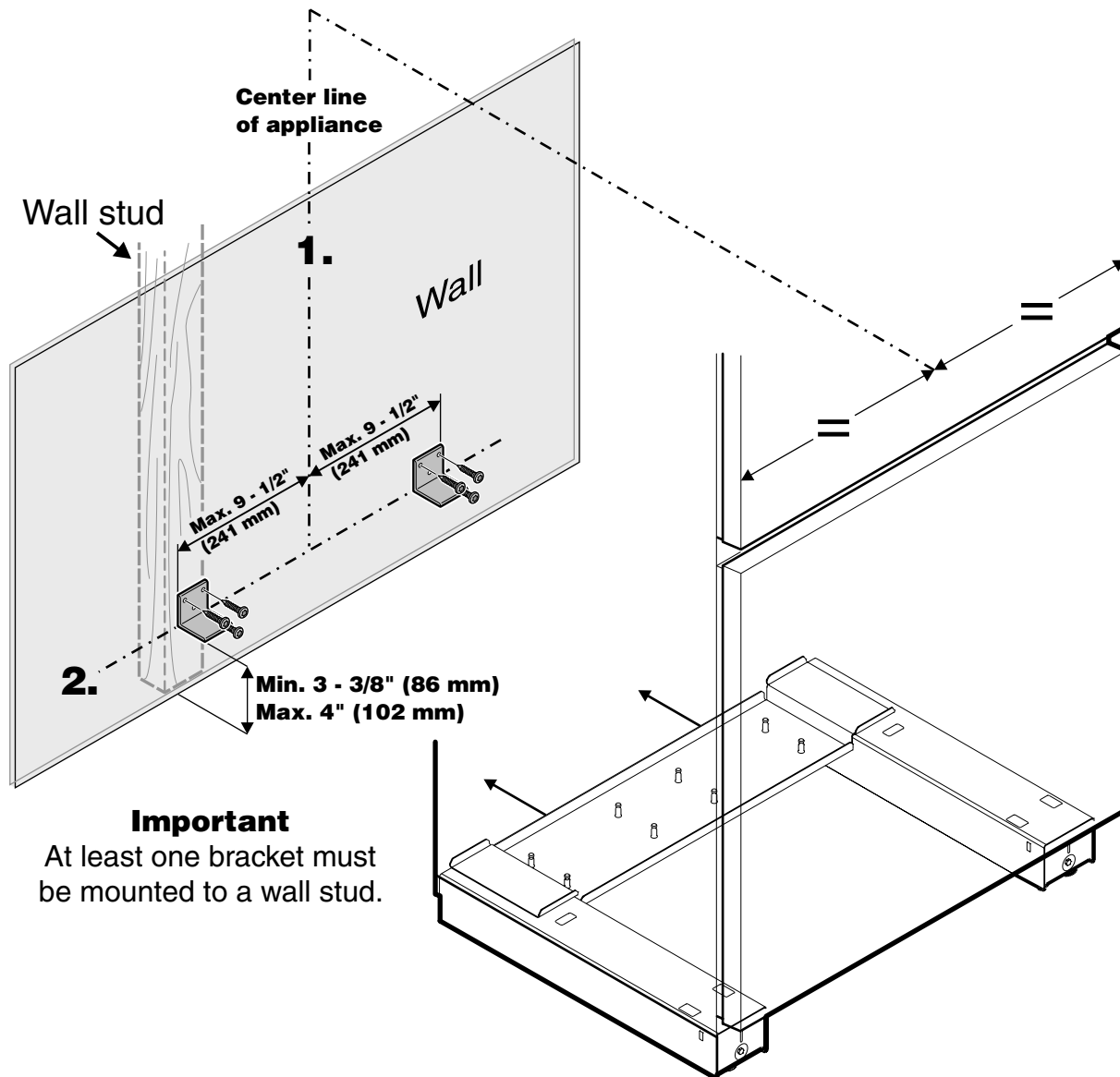


Figure 12

DOOR STOP ADJUSTMENT

Select between two opening angles: 130° and 90°. Your appliance was delivered with a door opening of 130°. If 90° opening angle is required, use this procedure:

1. Close the refrigerator door.
2. Turn screw (1), provided, into bore (2).

Use the same procedure to set up the freezer door.

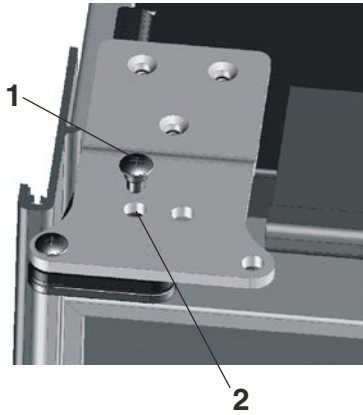


Figure 13

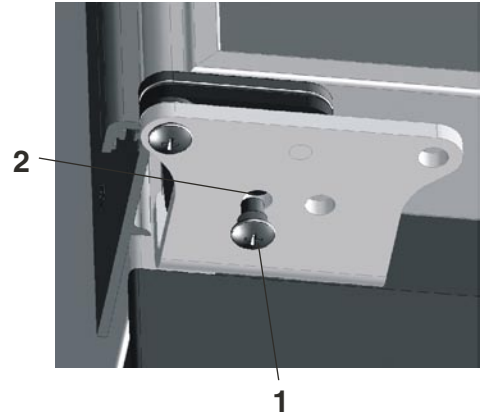


Figure 14