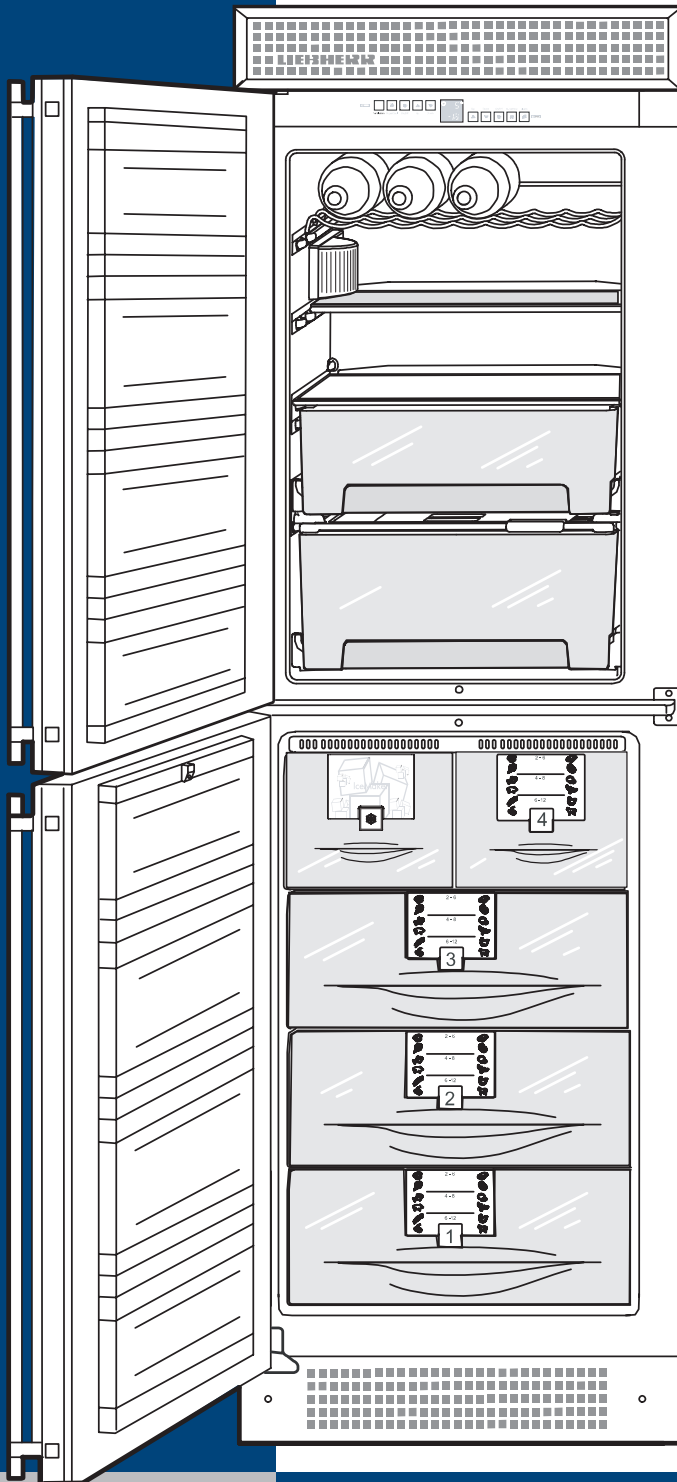


LIEBHERR



Installation Instructions

For BioFresh, NoFrost, Combined
Refrigerator-Freezers and
Side-By-Side Units

Instructions de montage

Pour combinés réfrigérateur-
congélateurs anti-givre BioFresh et
les appareils côte à côte

Instrucciones de instalación

Para frigoríficos-congeladores
combinados BioFresh, NoFrost y
unidades lado a lado

BF/BF1051 / BGEN/es 2956
7082 248-00

IMPORTANT

PLEASE READ AND FOLLOW THESE INSTRUCTIONS

These instructions contain Warning and Caution statements. This information is important for safe and efficient installation.

Always read and follow all Warning and Caution statements!

WARNING

States a hazard that may cause serious injury or death if precautions are not followed.

CAUTION

Signals a situation where minor injury of product damage may occur if you do not follow instructions.

IMPORTANT

This highlights information that is especially relevant to a problem-free installation.

Make sure incoming voltage is the same as the unit rating.

To reduce the risk of fire, electric shock, or personal injury, installation work and electrical wiring must be done by a qualified electrician in accordance with all applicable codes and standards, including fire-rated construction.

TO THE INSTALLER

It is very important that the guidelines and instructions are followed in the manual to ensure proper installation and operation of the unit. The Installation Guidelines section contains important information for making sure the installation is correct. Read and understand all the information in Installation Guidelines, and in this manual before the unit is installed.

TABLE OF CONTENTS

Contents	Page
Installation Guidelines.....	3
Area Requirements.....	3
Electrical Requirement.....	3
Customer's Responsibility.....	3
Blocking For Safety.....	3
Unit Venting.....	3
Planning Information.....	4
Cabinet Opening Dimensions.....	4
Assembling Decorative Panels.....	7
Integrating Cabinetry.....	8
Framed Panels.....	8
Overlay Panels.....	9
Reversing Door Hinges.....	14
Door Opening Angle.....	17
Installation.....	19
Blocking For Safety.....	22
IceMaker.....	23
Water Connection.....	23
Connection to the Water Supply.....	24
Side-By-Side Installation.....	25

INSTALLATION GUIDELINES

Area Requirements

Verify the following:

- Floors can support refrigerator's weight plus approximately 1200 pounds (544 kg) of food weight.
- Finish kitchen floor height is level. Refrigerator must be shimmed to the floor level if the floor heights are not equal to make sure air vents are not obstructed.
- Remove anything attached to rear or side walls that can obstruct refrigerator opening.
- Cutout dimensions are accurate.
- Electrical outlet is in correct location.

Do not install this unit next to another refrigerator or freezer. This is important to prevent condensation or consequential damage from another unit.

Electrical Requirement

If codes require a separate grounding circuit to be used, have a qualified electrician install the circuit.

WARNING

Do not ground to a gas pipe. Check with a qualified electrician if you are not sure the appliance is properly grounded. Do not have a fuse in the neutral or grounding circuit.

WARNING

ELECTRICAL SHOCK HAZARD

- Electrically ground refrigerator.
- Do not use an extension cord.
- Failure to follow these instructions could result in fire or electrical shock.

WARNING

ELECTROCUTION HAZARD

Electrical Grounding Required. This appliance is equipped with a three-prong (grounding) polarized plug for your protection against possible shock hazards.

- **DO NOT** remove the round grounding prong from the plug.
- **DO NOT** use a two-prong grounding adapter.
- **DO NOT** use an extension cord to connect power to the unit.

Customer's Responsibility

A 115 Volt, 60 Hz, 15 Amp (20 Amp for side-by-side installation) fused electrical supply is required. We recommend using a dedicated circuit for this appliance to prevent electrical overload. Follow the National Electrical Code and local codes and ordinances when installing the receptacle.

Blocking For Safety

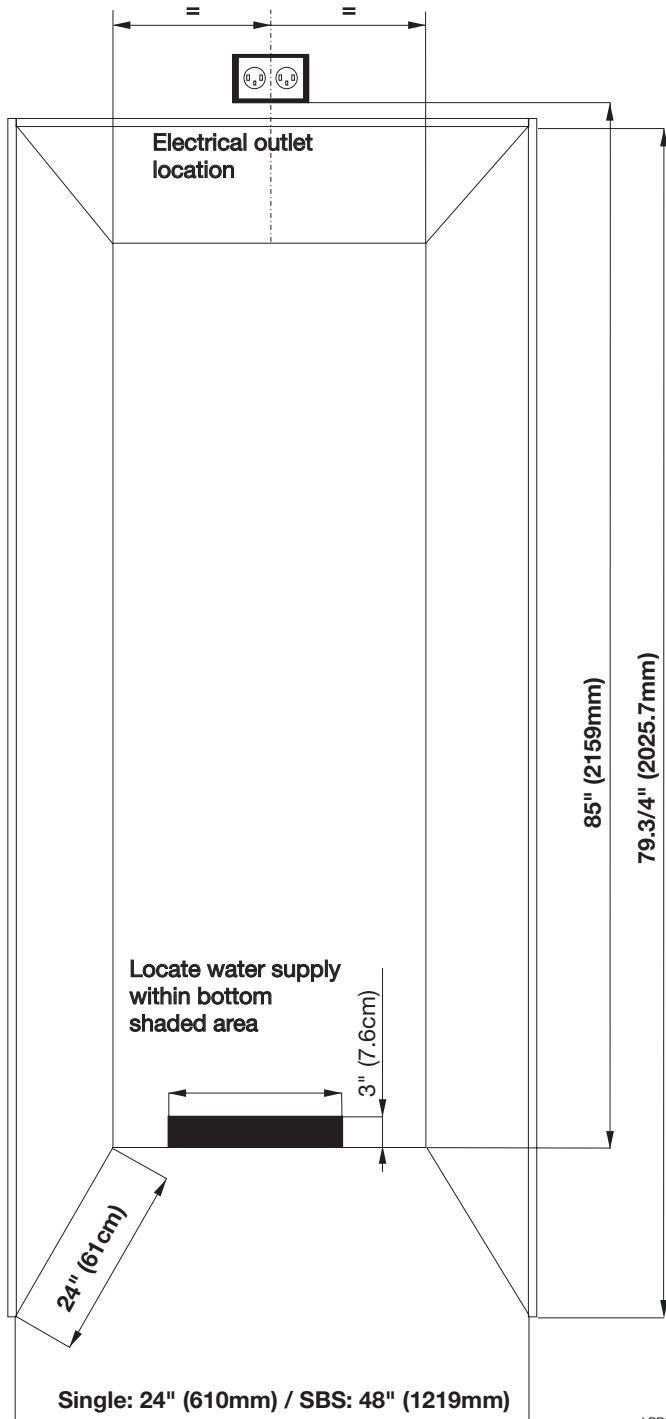
The anti-tip brackets must be installed to prevent the unit from tipping after it is installed. Refer to Blocking For Safety.

Unit Venting

DO NOT restrict the air flow. Air flow must be provided for the unit to operate. The factory air vents provide 31 square inches (200 cm²) of air flow per unit. If you are replacing the factory air vents with an overlay, the air flow must be the same or greater than the factory air vents.

PLANNING INFORMATION

Cabinet Opening Dimensions - Figure 1



Allow units to open a minimum of 90° to prevent problems removing drawers. With the door opening 90°, you may have to move drawers slightly to clear the door interior.

Refer to the minimum door clearances in the Pre-Installation Specifications chart.

- Allow for a minimum 3-3/4" (95 mm) filler, for corner installations, so the door can open to 90°. If you're using raised panels, consider using a wider filler.

IMPORTANT

Refer to the full scale illustrations at the end of this section for specifics on door openings and filler size alternatives.

Figure 1

LBR022

PLANNING INFORMATION

BFI 1051 - Figure 2

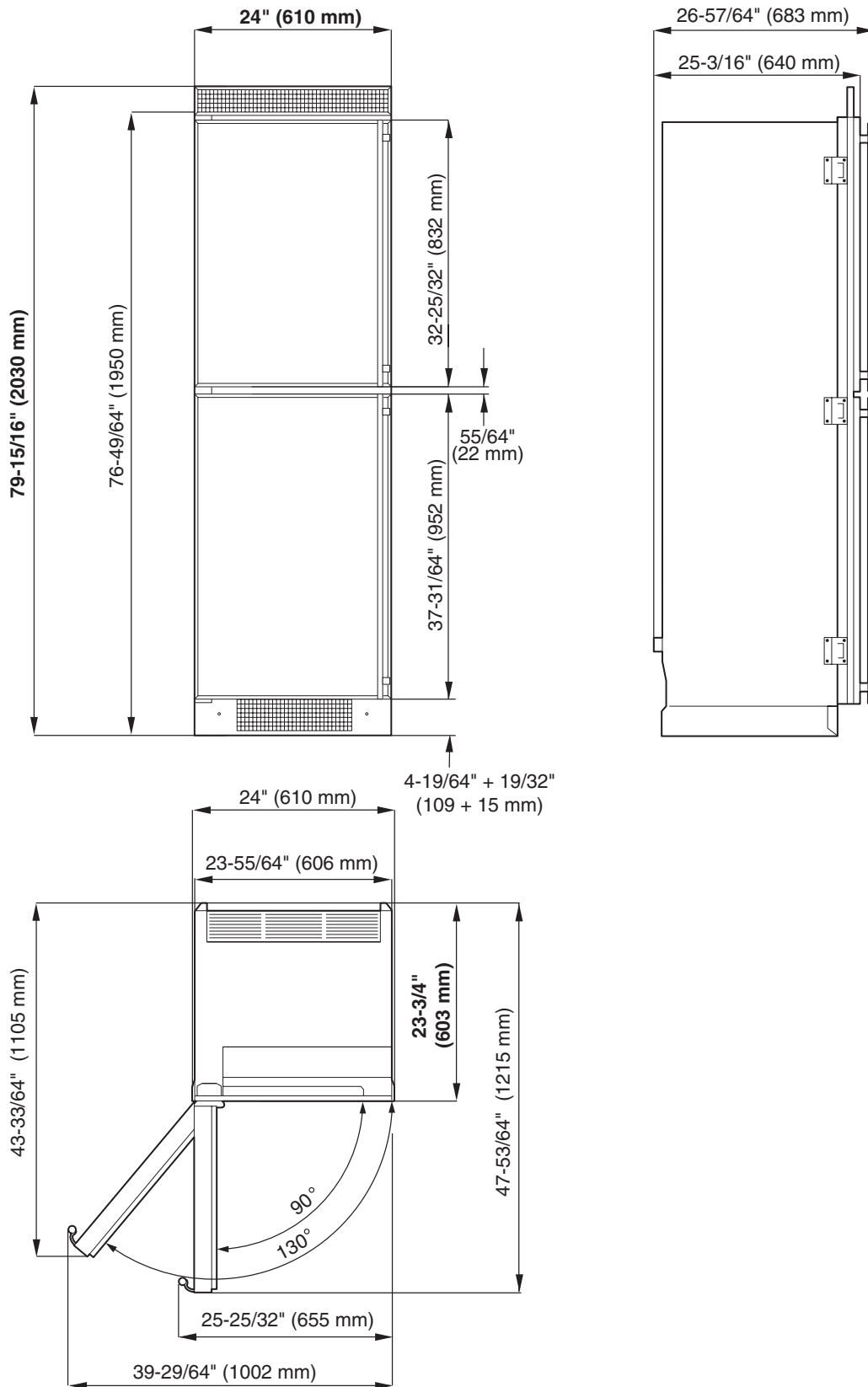


Figure 2

A delight in freshness

PLANNING INFORMATION

Side-By-Side BFI 1051 - Figure 3

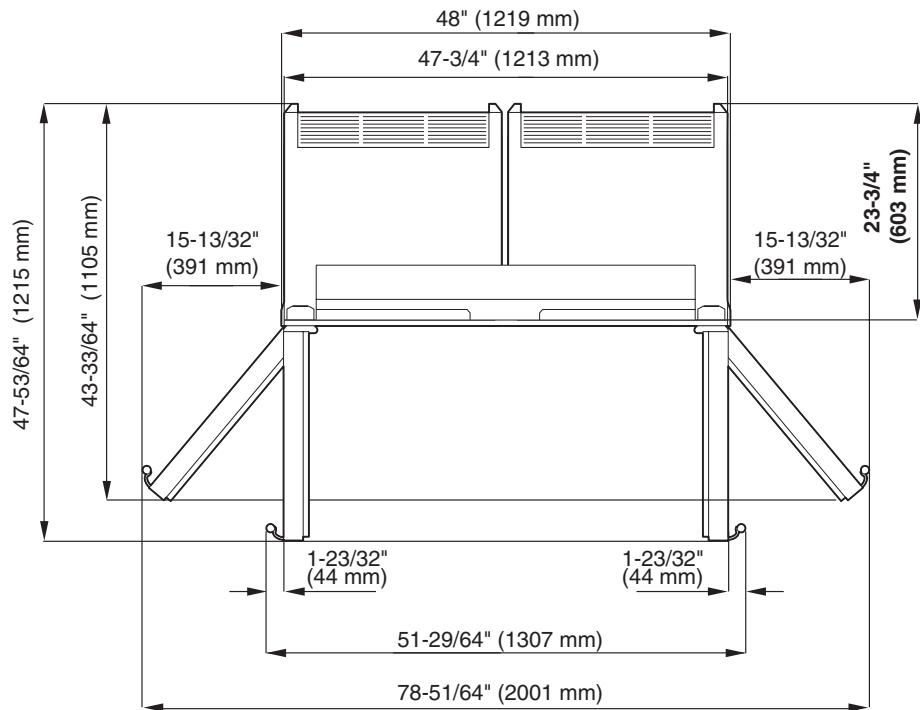
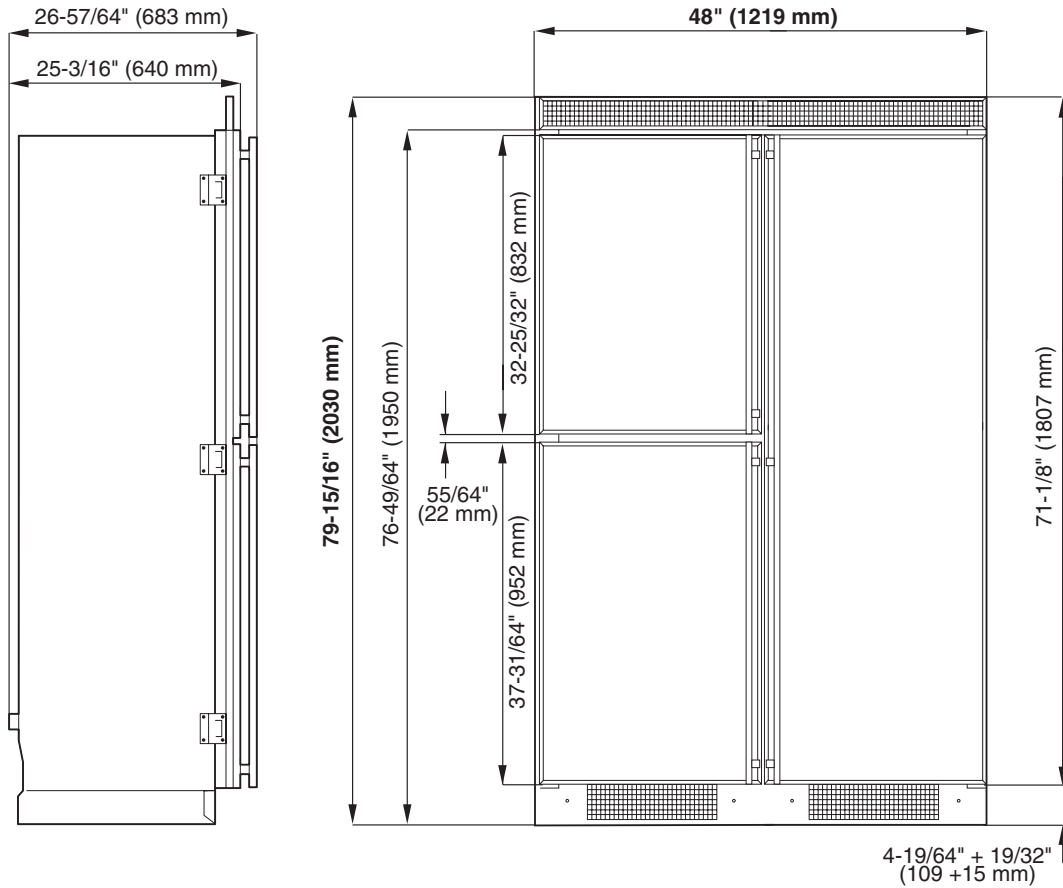


Figure 3

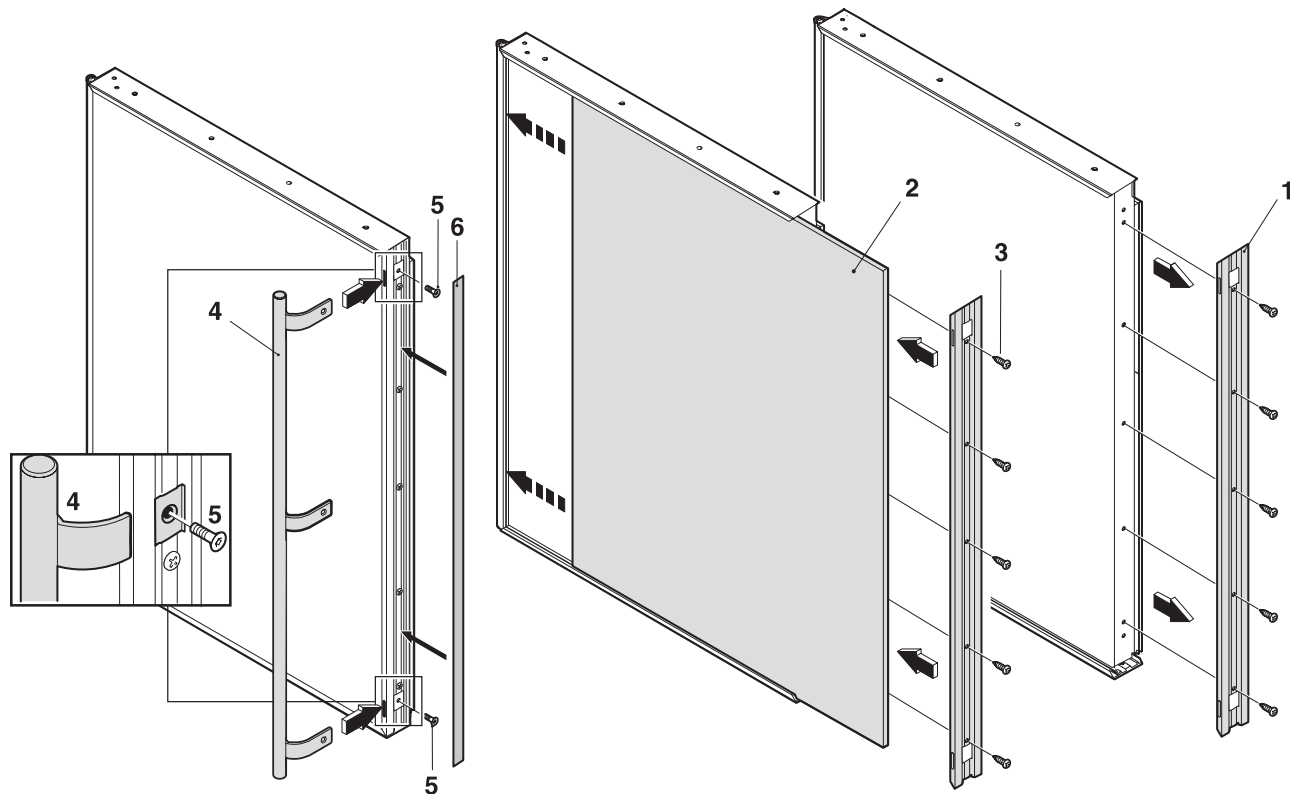
A delight in freshness

ASSEMBLING DECORATIVE PANELS

Figure 4

Proceed as shown in the illustration:

- (1) Door change frames
- (2) Decorative panel
- (3) Screws for door change frames
- (4) Handle, depending on model
- (5) M4 x 10 screws for handle
- (6) Filler strip



LBR048

Figure 4

A delight in freshness

INTEGRATING CABINETS

Framed Panels - Figure 5

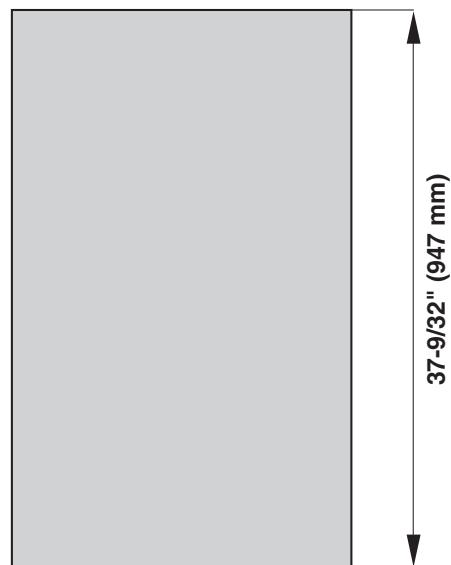
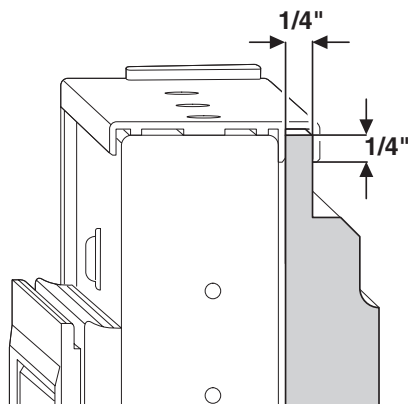
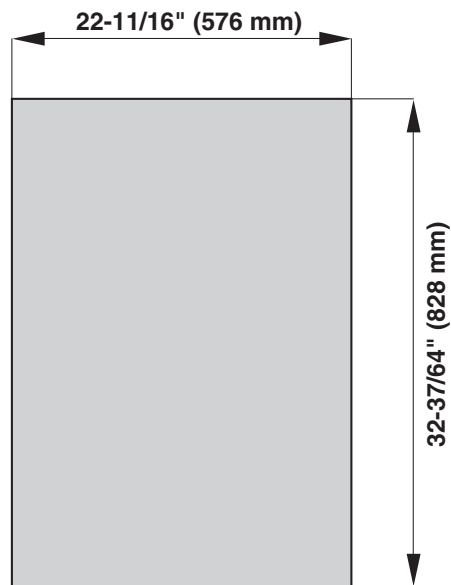
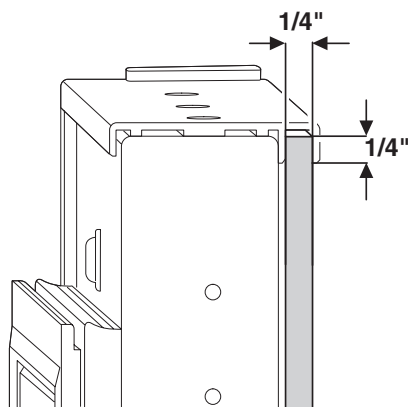
If the thickness of the custom panels is less than 1/4" (0.635 cm), they must be backed up with a sheet of shim material to build the total thickness to 1/4" (0.635 cm). If the panel is thicker than 1/4" (0.635 cm), an edge must be routed around the panel to ensure a proper fit.

IMPORTANT

If you are replacing the factory air vents with an overlay, **DO NOT** restrict the air flow. The air flow must be the same or greater than the factory air vents of 31 square inches (200 cm²).

The door handles must be installed before the screw covers are installed. If you fail to install the handles before the screw covers, you can damage the covers. The screw covers are taped to the unit doors during shipping. Use care when removing covers.

The door panel weight must not exceed 25 lb (11,3 kg).



LBR023

Figure 5

A delight in freshness

INTEGRATING CABINETRY

Overlay Panels - Figure 6

The overlay design line allows decorative panels to cover the door trim for a more seamless appearance that blends with the design of the room. To achieve this look, the most common way is to work with three panels, the decorative overlay panel, a 0.10" (0.25 cm) spacer panel and a 1/4" (0.635 cm) backer panel.

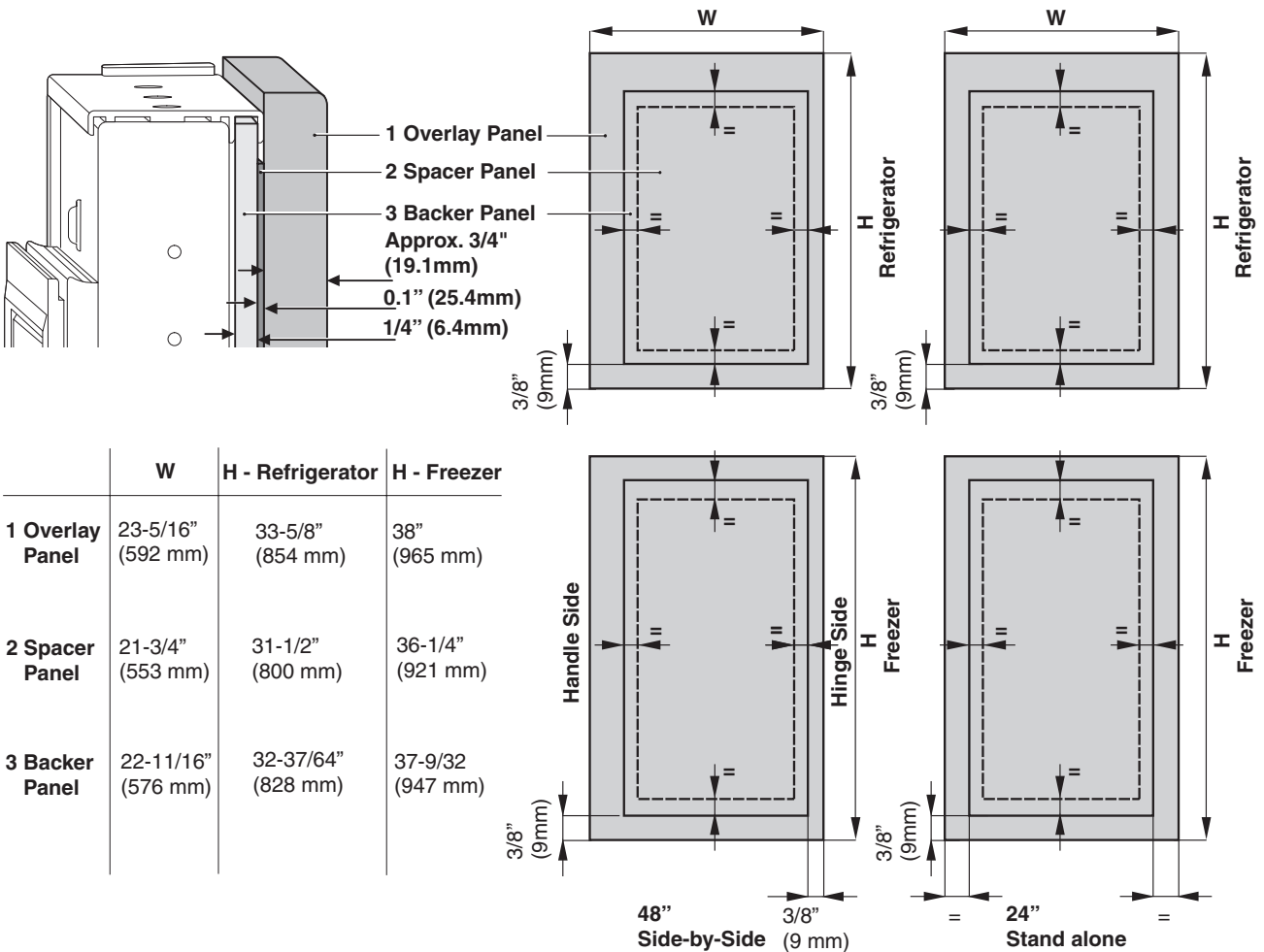
Depending on your cabinet manufacturer, this could be one panel routed for different dimensions or, more likely, three different panels.

IMPORTANT

If you are replacing the factory air vents with an overlay, DO NOT restrict the air flow. The air flow must be the same or greater than the factory air vents of 31 square inches (200 cm²).

The door handles must be installed before the screw covers are installed. If you fail to install the handles before the screw covers, you can damage the covers. The screw covers are taped to the unit doors during shipping. Use care when removing covers.

The door panel weight must not exceed 25 lb (11,3 kg).



LBR024

Figure 6

A delight in freshness

LIEBHERR

INTEGRATING CABINETS

Figure 7

The factory setting for the door to swing open is 130°. Use this illustration to ensure other cabinets or counters do not interfere with the door opening. Frameless cabinets: The casing trim overlaps the cabinets at the side and top. Cabinets may require filler strips to prevent interference with the cabinet door swing. The door opening must allow for filler strips.

INTEGRATING CABINETRY

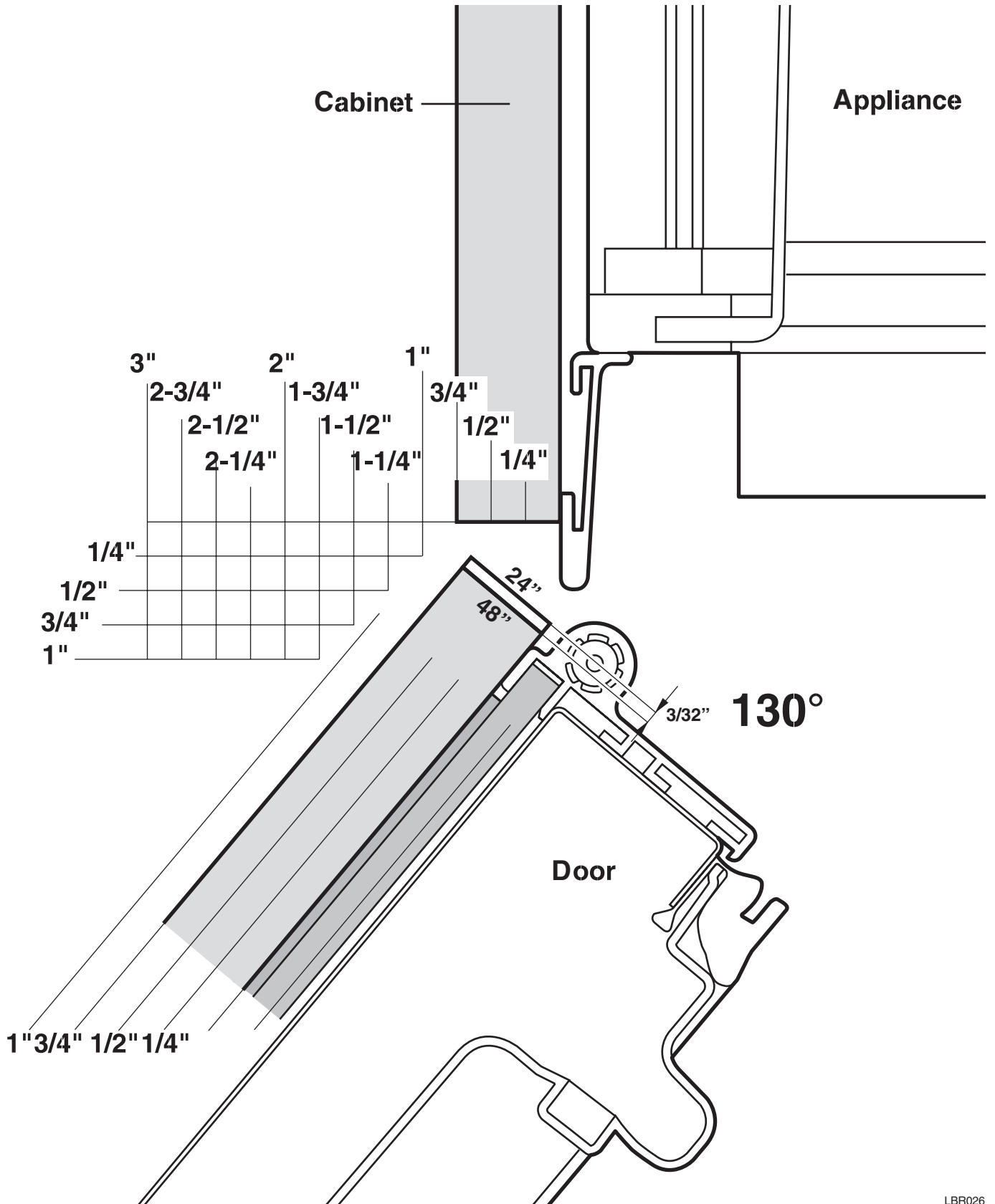


Figure 7
 (Scale 1:1)
 A delight in freshness

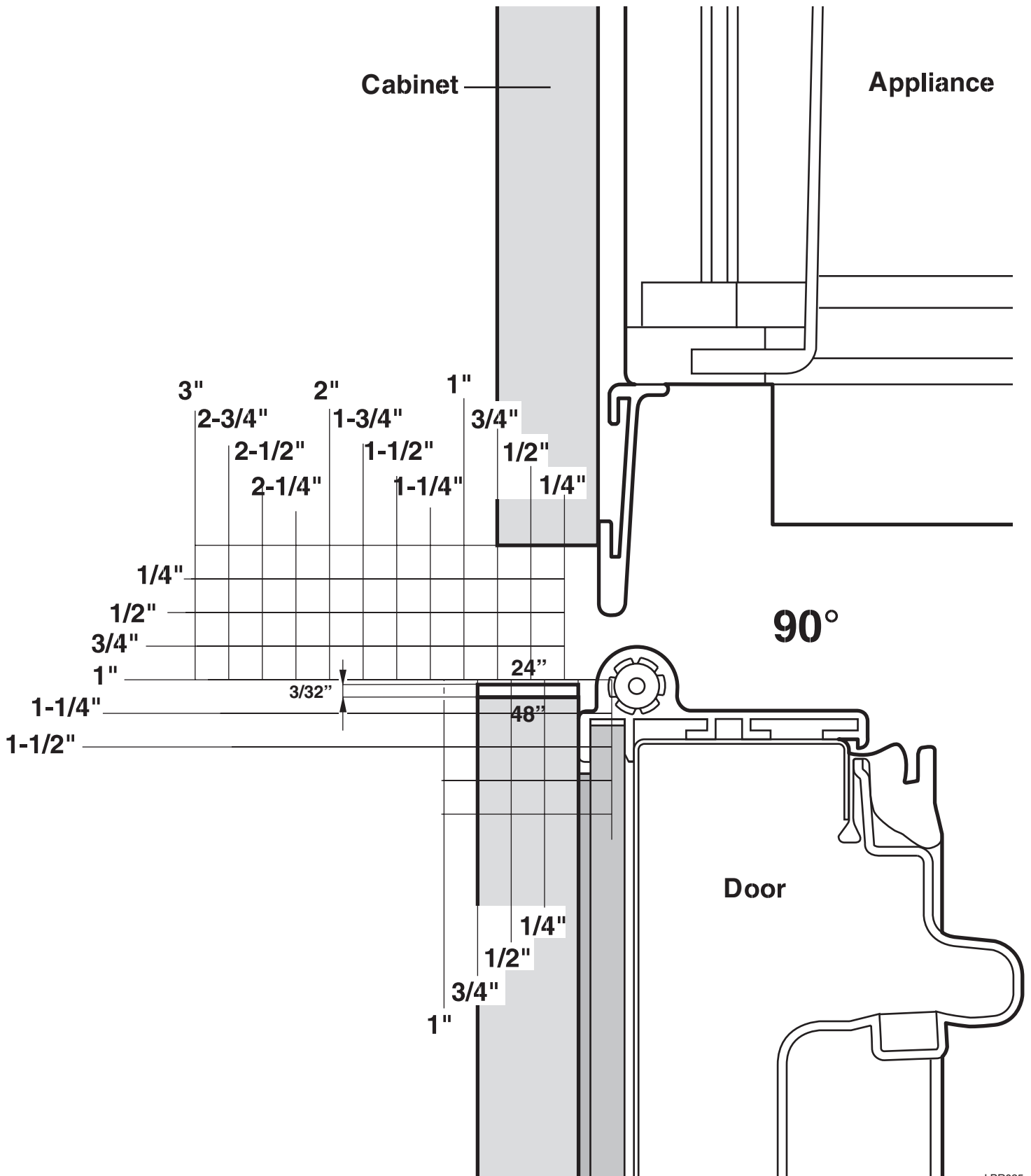
INTEGRATING CABINETRY

Figure 8

The optional setting for the door to swing open is 90°. Use this illustration to ensure other cabinets or counters do not interfere with the door opening.

Frameless cabinets: The casing trim overlaps the cabinets at the side and top. Cabinets may require filler strips to prevent interference with the cabinet door swing. The door opening must allow for filler strips.

INTEGRATING CABINETRY



LBR025

Figure 8
(Scale 1:1)

A delight in freshness

REVERSING DOOR HINGES

The door hinges can be changed from one side to the other if required.

- Figure 10:** Top: Unscrew the hinge pin (2) and remove the screw (5) with the eccentric.
- Swivel out the door at the top, ensuring that you do not lose the stop (7) and bushing (8); lift off the door and place it on the floor.
- Center: Pull out the hinge pin (9) with its washer.
- Swivel out the lower door, lift it out and place it on the floor. Take care not to lose the stop (7) and washers (8).
- Unscrew all the door fittings (14, 15, 16, 17).
- Figure 11:** Unscrew all the door change frames and exchange them with one another (6 with 8, 4 with 7 and handle - remove cover 1). Secure them in position using the same screws.
- Ensure that the door change frames are correctly positioned and mitered.

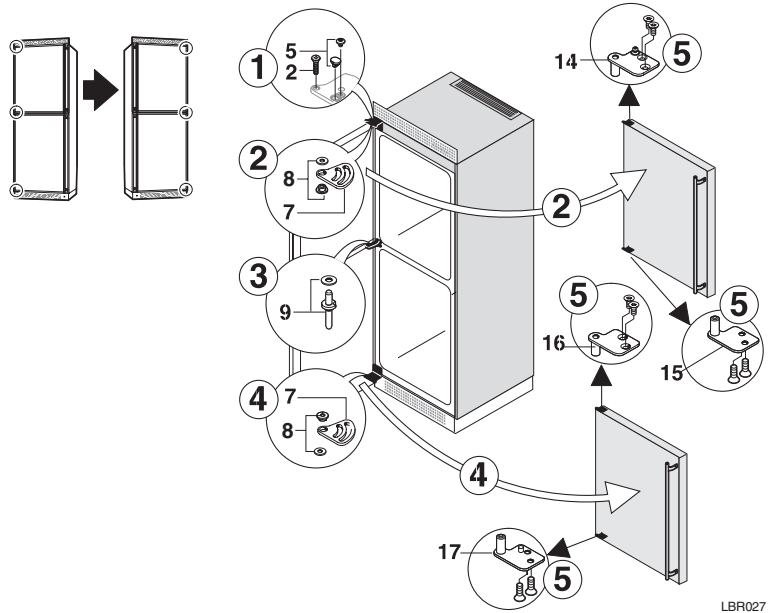


Figure 10

! WARNING

Make sure the corners of the door change frames are positioned correctly. Sharp edges will be exposed if they are not mitered or positioned correctly.

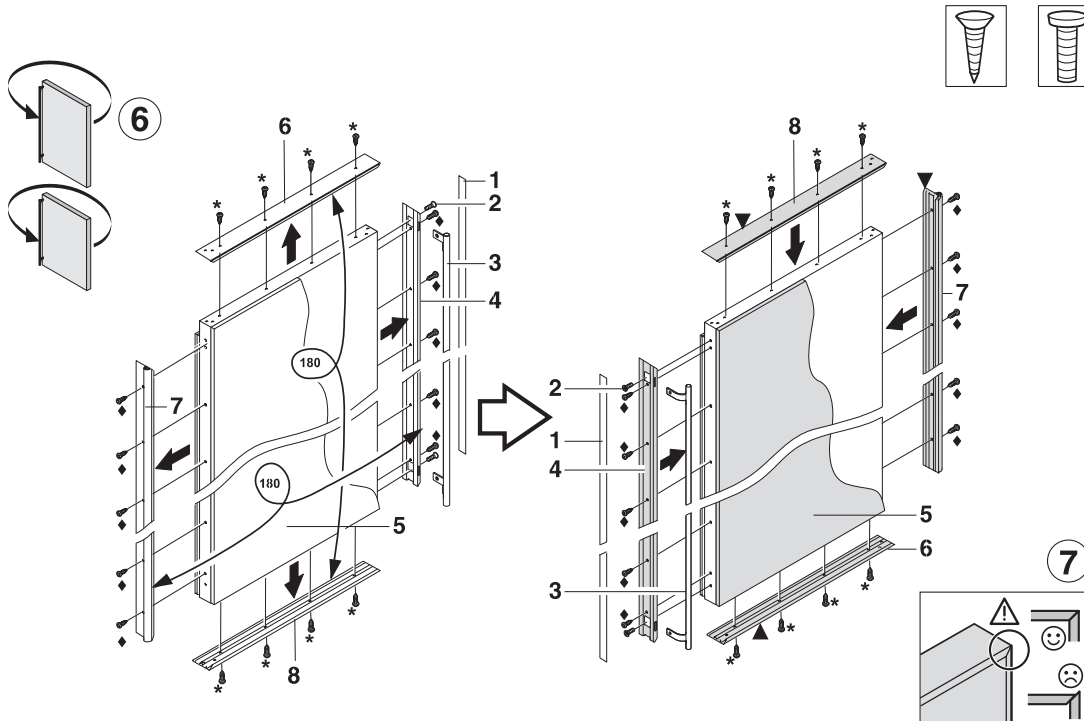
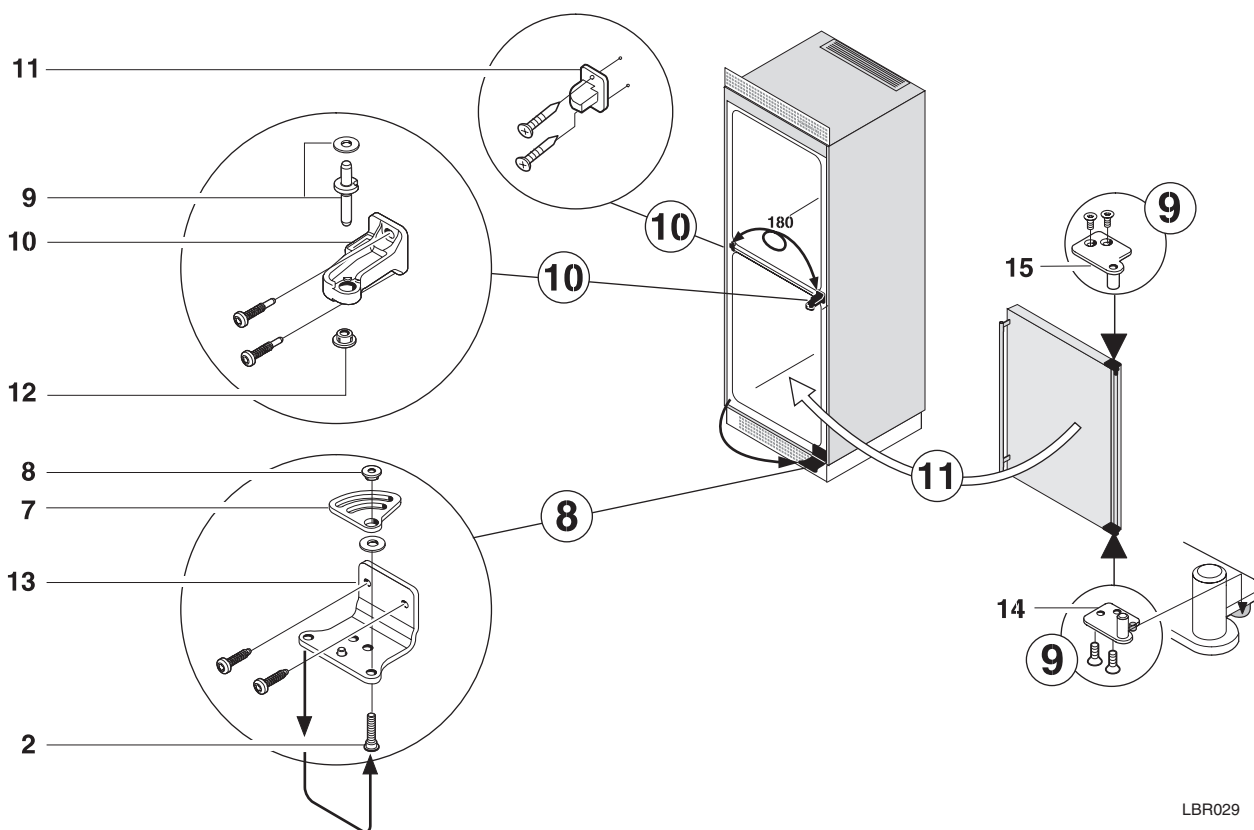


Figure 11

LBRP28

REVERSING DOOR HINGES

8. **Figure 12:** Unscrew the lower hinge (13).
 - Remove the stops, bushing and washer (7, 8, 6).
 - Transfer hinge pin (2) to the opposite side.
 - Turn the stop (7) through 180° and position bushing (8) and washer as shown in the detailed drawing.
 - Screw on hinge (13) on the new hinge side.
9. On the lower door: Reinstall the door fittings (14, 15). Pay special attention to the part (14) with the stop.
 - Swivel in the door.
 - Pay special attention to the bushing (12) in the center hinge (10).
 - Insert hinge pin (9) and add the washer.
10. Unscrew the center hinge (10) and cover (11), pull them off to the side and after turning them through 180°, slide them on again on the opposite side and secure them.
11. Place the lower door on the hinge pin (2) at the bottom.
 - Swivel in the door.
 - Pay special attention to the bushing (12) in the center hinge (10).
 - Insert hinge pin (9) and add the washer.



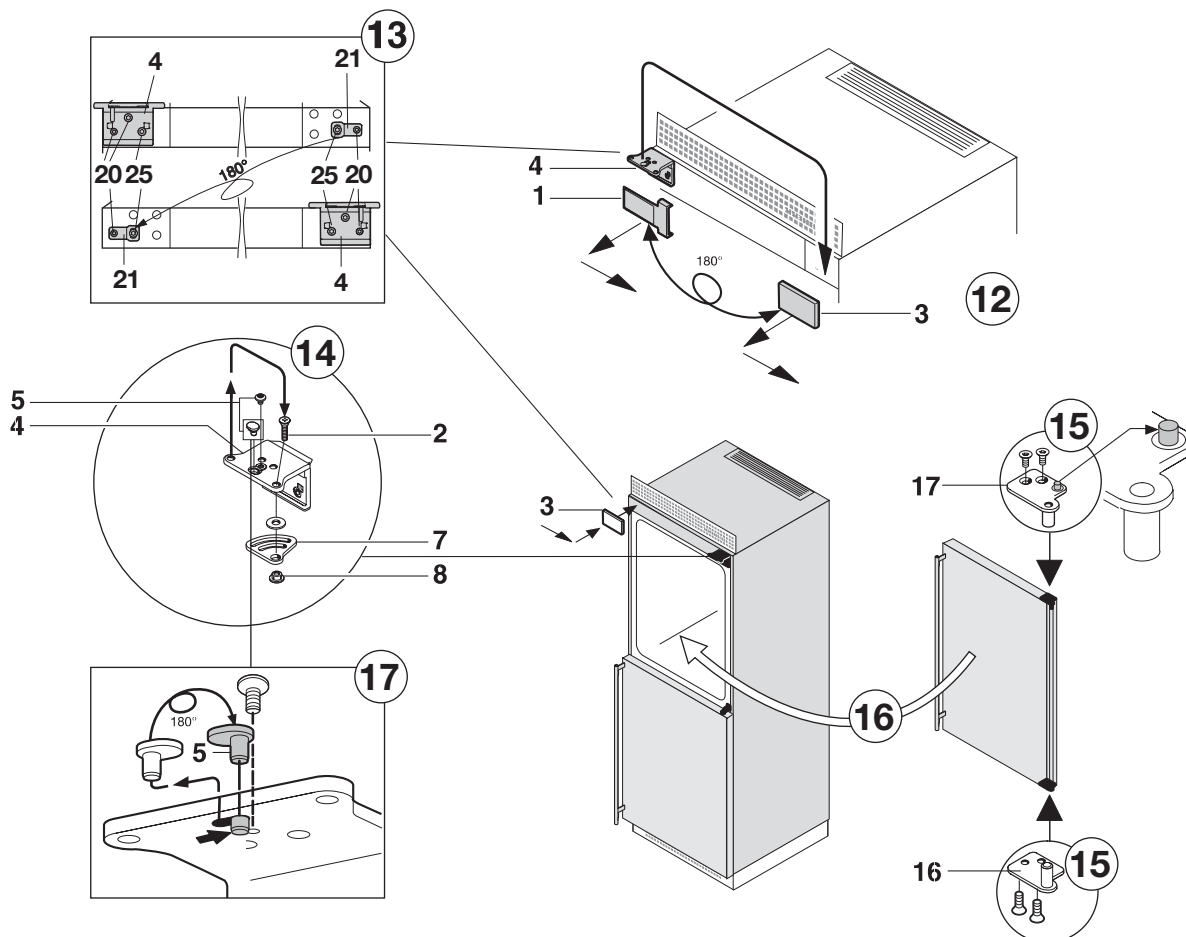
LBR029

Figure 12

A delight in freshness

REVERSING DOOR HINGES

12. **Figure 13:** Lift up cover (3) on handle side, push outward; lift up cover (1) on hinge side and pull off.
 13. Unscrew mounting plate (21): first mounting screw (20), then inner retaining screw (25).
 - Unscrew hinge (4): first remove the mounting screw (20), then retaining screws (25). Fit hinge (4) to opposite side: for easy assembly, fit hinge from above and first tighten with the upper retaining screw (25) M5, then screw (25) and finally mounting screw M4 (20).
 - Turn mounting plate (21) through 180° and screw tight again on the new handle side: first retaining screw (25), then mounting screw (20).
 14. Remove the eccentric (5) with the retaining screw and screw (6) in the hinge (4).
 15. On the upper door: Reinstall the door fittings (16, 17). Pay special attention to the fitting (17) with the stop.
 16. Place the upper door on the center hinge, fit the bushing (8), stop (7) and washer on the door, swivel in the door at the top and insert and secure the hinge pin (2) from above through the hinge and stop.
 17. Re-insert the eccentric (5) with the retaining screw as shown in the detailed drawing.
- Check for proper alignment of all doors. Adjust them if necessary using the slots on the hinge.



LBR030

Figure 13

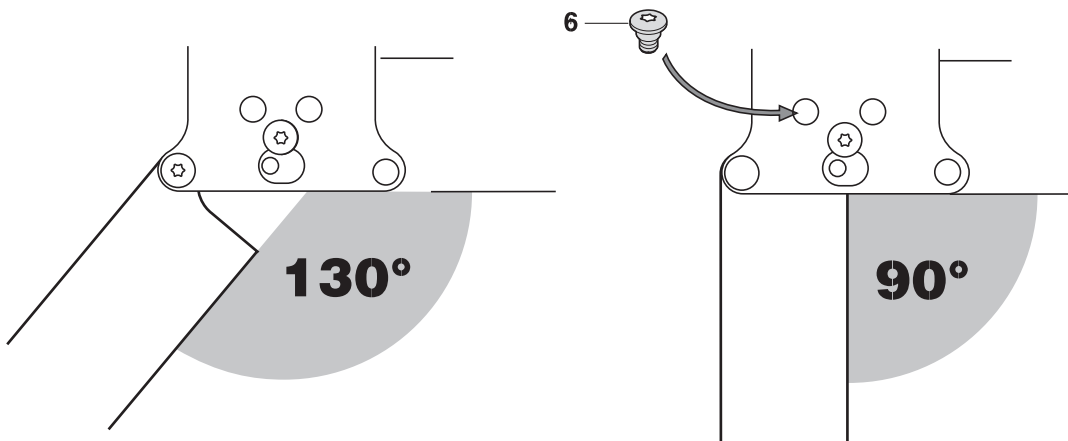
REVERSING DOOR HINGES

Door Opening Angle - Figures 14, 15

The appliance is delivered with a door opening angle of 130°.

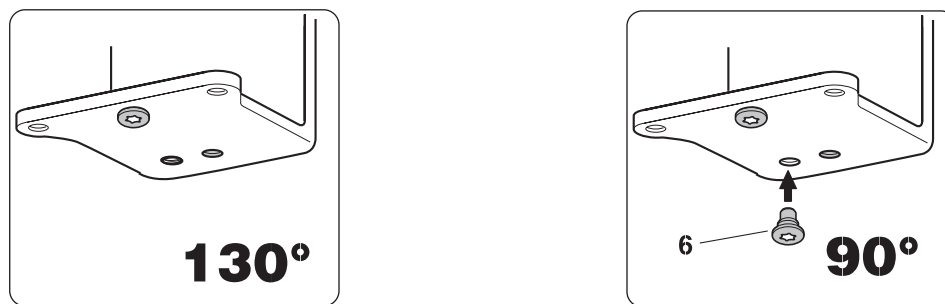
If the angle is to be decreased to 90°, proceed as follows:

- **Insert** attached screw (6) in the **upper** hinge as shown in **Figure 14**.
- **Insert** attached screw (6) in the **lower** hinge as shown in **Figure 15**.



LBR031

Figure 14



LBR032

Figure 15

A delight in freshness

REVERSING DOOR HINGES

Only install the refrigerator/freezer in a stable kitchen cabinet that has been properly aligned.

- Mount and fix the handles, depending on your model and choice.

Figure 16: Installation with Ventilation Grille Set:

1. Screw the installation frame at the top (1) onto the appliance (2).
2. Place the ventilation grille (3) on this, align it in the center and secure at the front from underneath.
3. Slide brackets (4) onto the side installation frames (5) from above and below.
4. Using the frame (5), screw the brackets onto the side wall*.
5. Slide the side installation frames (5) upwards until they are in contact with the underside of the ventilation grille.
6. Secure the side frames with the adhesive section (7) to prevent them from sliding down. Remove the protective film and affix the adhesive sections over the upper brackets on the handle and hinge sides.

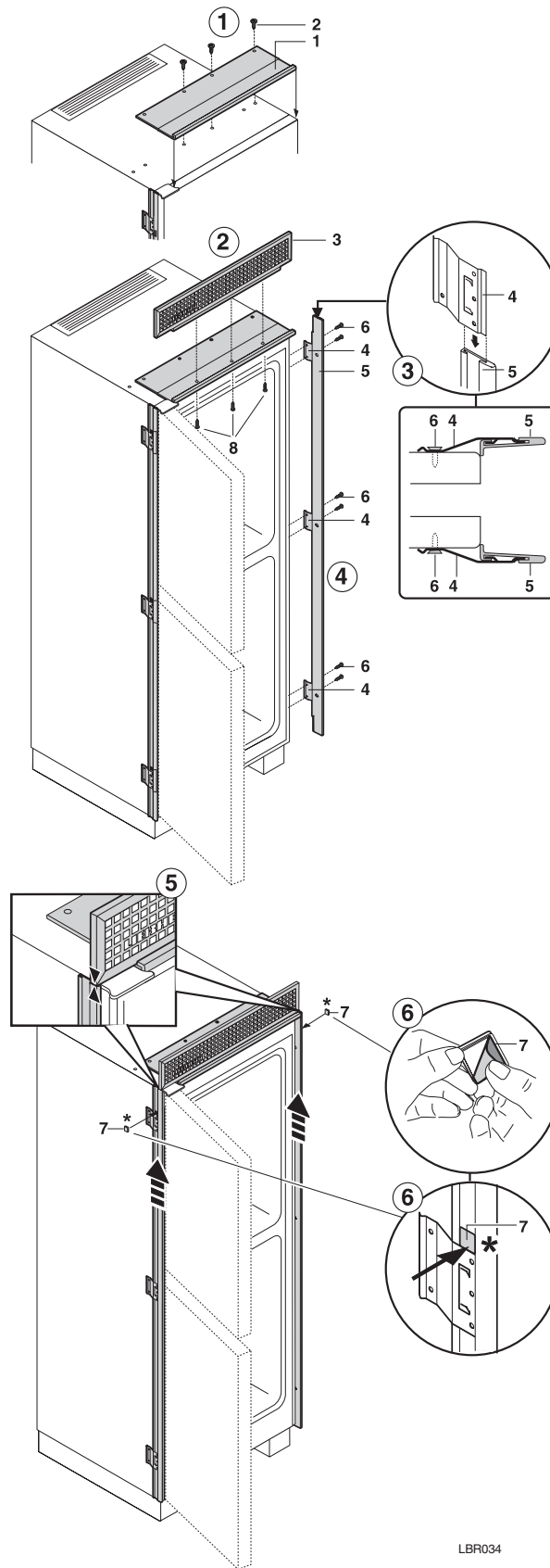
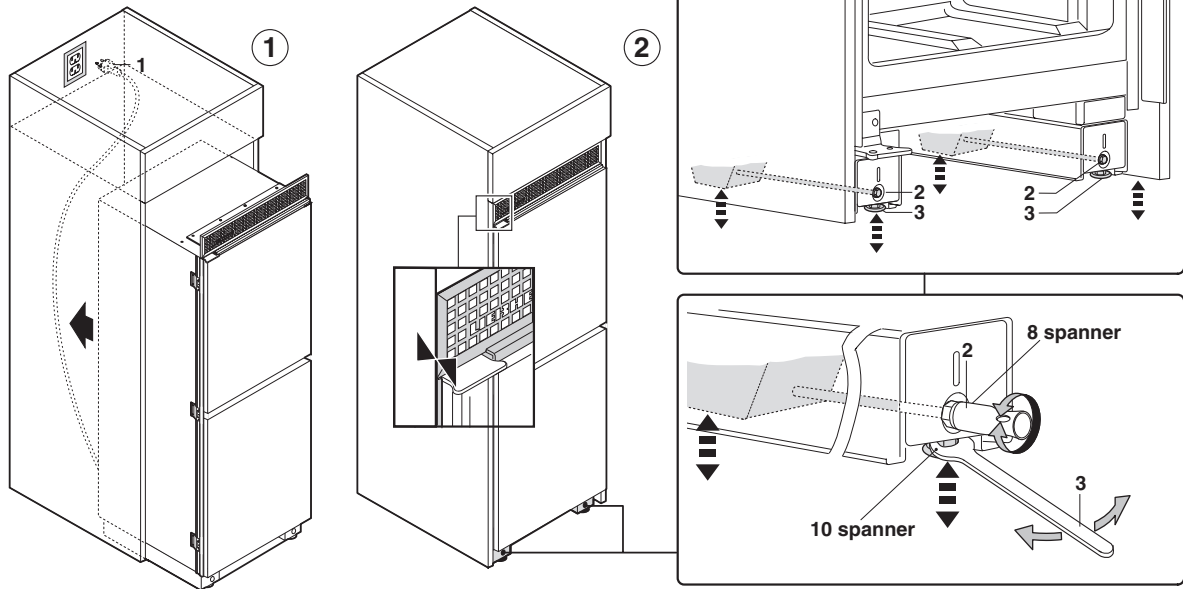


Figure 16

INSTALLATION

- **Figure 17:** Connect the appliance to the main power supply.
- If the appliance is equipped with an IceMaker, establish the connection for the water supply. See "IceMaker, Water Connection".

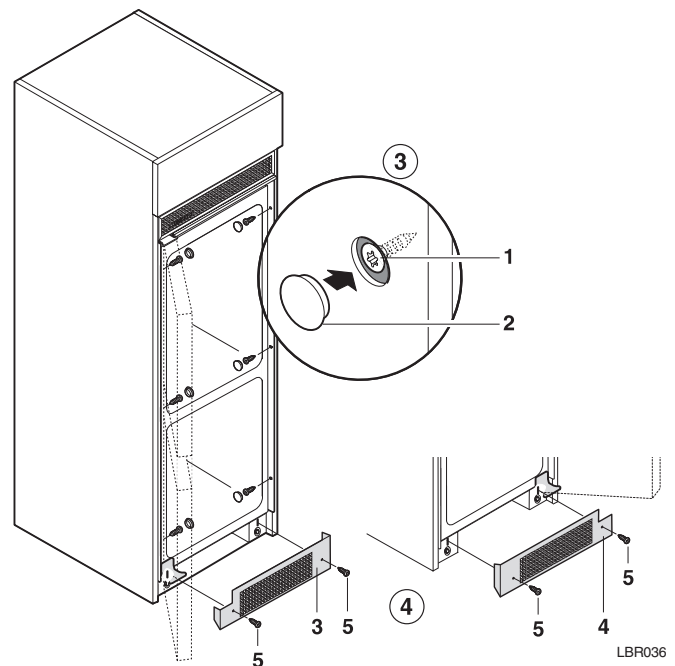
1. Carefully slide the appliance into the cabinet until the ventilation grille touches the surrounding kitchen cabinet.
2. Align the appliance until it is parallel with the surrounding kitchen cabinet: at the front using the leveling wheels **(3)** – take a 10 mm wrench; at the rear using the adjusting bolt **(2)**. Maximum adjustment: 19/32" (15 mm).



LBR035

Figure 17

3. **Figure 18:** Align the appliance at the side with the cabinet side panel and attach it with screws **(1)**.
 - Cover the screws with cover caps **(2)**.
4. Fit the ventilation grille at the bottom [**(3)** if the door is hinged on the left, **(4)** if it is on the right]: Secure the ventilation grille so that it touches the floor and then adjust it using the slots.



LBR036

Figure 18

A delight in freshness

INSTALLATION

The following **ventilation cross-section and distances** must be observed:

- There must be a ventilation space of at least 31 square inches (200 cm²) per appliance in the cabinet plinth and under the cabinet top panel.
- The depth of the ventilation duct at the rear of the cabinet must be at least 1-1/2" (38 mm).

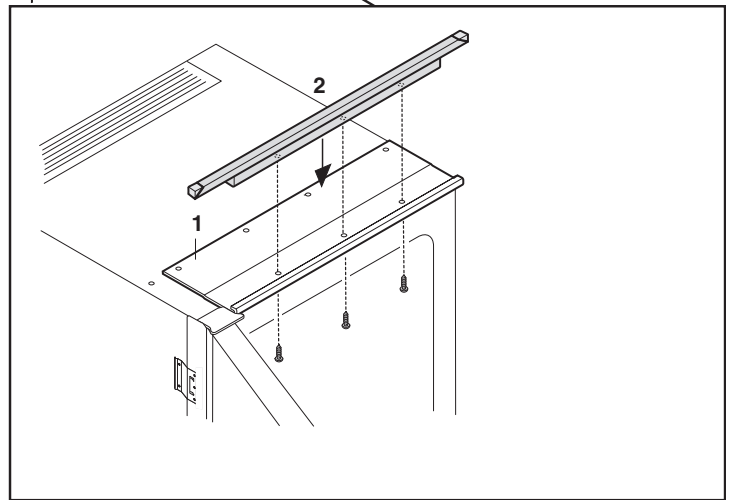
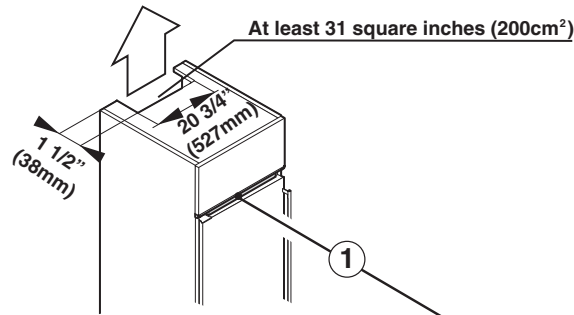
Alternatively:

1. **For built-in appliances without ventilation grilles** and only with an installation frame, ventilation must take place through the ventilation duct at the rear of the cabinet.

Built-in appliances with an **installation frame**:

• **Figure 19:**

- Screw the complete installation frame (2) to the appliance.



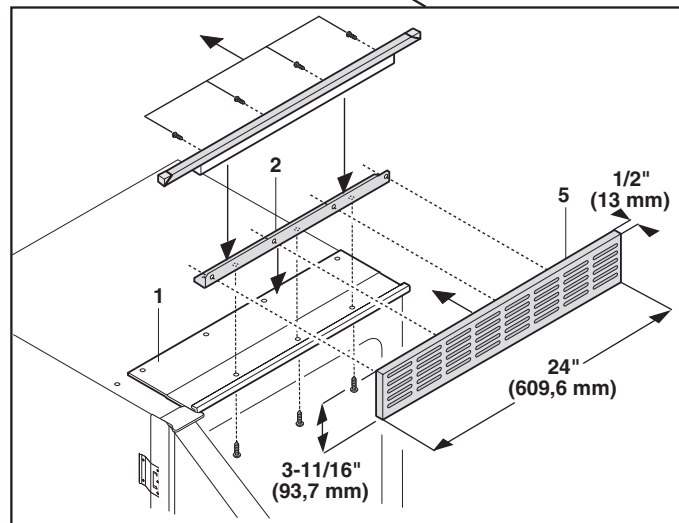
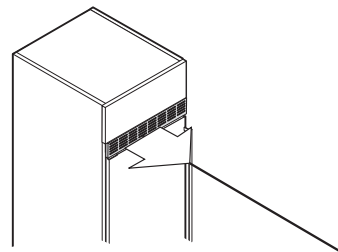
LBR037

Figure 19

2. **Built-in appliances with a wooden ventilation grille:**

Figure 20: Cut out the wooden trim for use as a ventilation grille using the enclosed template.

- The required ventilation cross-section must be at least 31 square inches (200 cm²) when a single appliance is installed, which corresponds to template "small" (If you install two appliances side-by-side, the cross-section must be at least 62 square inches, 400 cm², which corresponds to template "double-size;" for more information see "Side-by-Side Installation").
- Remove the attachment bracket (2) from the installation frame and screw it to the appliance (1) from underneath. Place the wooden ventilation grille (5) on the appliance, align it in the center and secure it from the rear using the attachment bracket (2).



LBR038

Figure 20

BLOCKING FOR SAFETY

Figure 21: Secure the refrigerator in place so it does not tip forward when the fully stocked door is opened.

2. Measure the distance from the floor to the upper edge of the unit.
3. Locate and mark two wall studs (1) against the wall where the refrigerator will be located. The space between the unit top and the bottom of the brackets must not be more than 1/4" (0.635 cm).
4. Make sure the screws (2) extend a minimum of 1" (2.54 cm) into each of the wall studs.
5. Make sure the anti-tip brackets (3) extend at least 3" (7.62 cm) over the unit and are securely in place.

IMPORTANT

The anti-tip brackets can be installed in either direction or closer together. Always position the anti-tip brackets as wide apart as possible, but make sure they are anchored to two studs.

6. Using the adjustable roller base, raise the unit until it makes contact with the brackets. Make sure the front levelers are firmly on the floor to prevent appliance from tipping forward.

IMPORTANT

If your unit is positioned in between the wall studs, a board can be secured to the wall. Make sure the board is secured to the studs with screws that will penetrate into the studs a minimum of 1" (2.54 cm). The board should be a minimum of 1" x 6" (2.54 cm x 15.24 cm) and long enough to secure both ends to the wall studs.

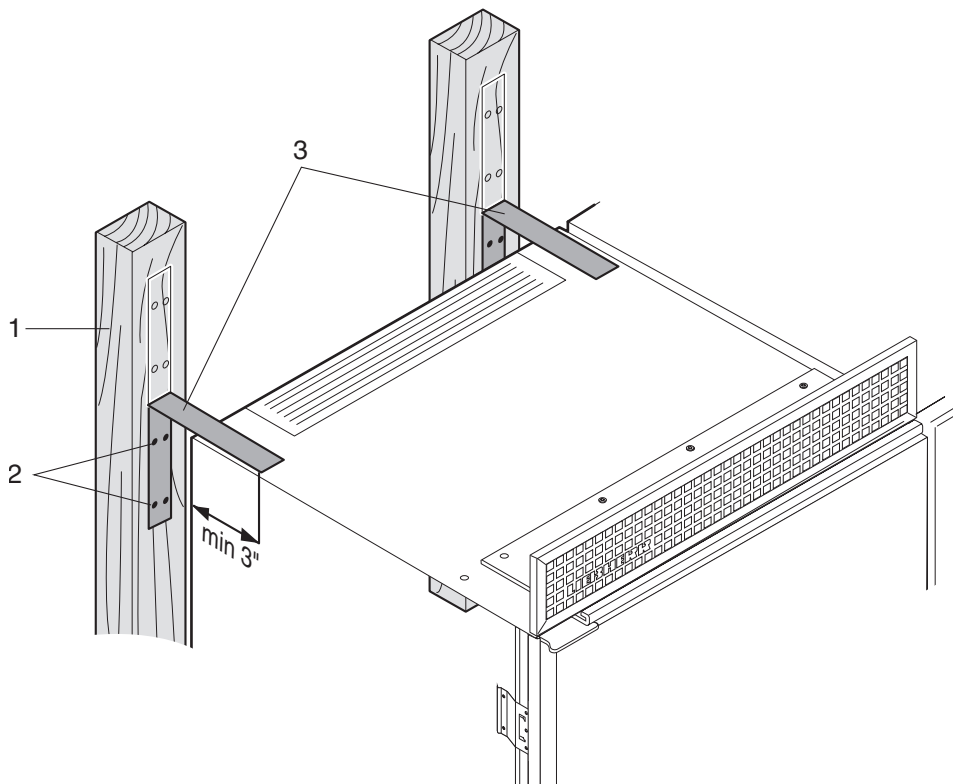


Figure 21

Water Connection - Figure 22

Please read the first three points of the safety instructions and warnings before connecting the appliance to the main water supply.

- The water pressure must be between 21.8-87.0 psi (1.5-6 bar).
- Use a 1/4" OD copper line to connect the water supply to the solenoid valve. ***This is not supplied with the refrigerator (Figure 22).***
- A shut-off valve, such as the saddle valve illustration here, must be installed between the hose line and the main water supply so the water supply can be stopped if necessary.

Do not install the shut-off valve behind the refrigeration unit.

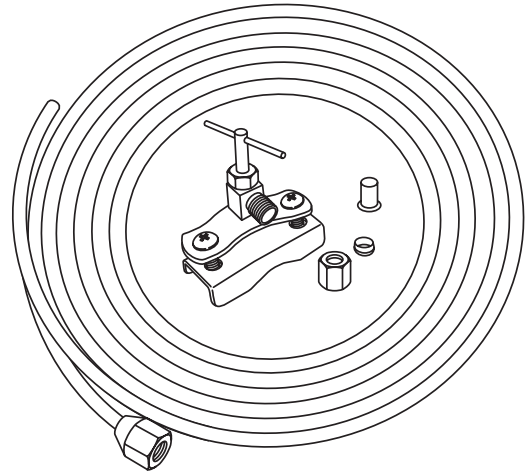


Figure 22

- If you have hard water, we recommend you install a water softener. Also, a filter must be installed if the water contains solids such as sand.
- All equipment and devices used to supply the water to the appliance must comply with the current regulations for your geographical area.

ICEMAKER

Connection to the Water Supply -

Figures 23, 24

1. Install the shut-off valve, water filter and automatic shut-off device as required.

Note

The solenoid valve is located at the rear of your unit.

2. The 1/4" copper tubing between the shut-off valve and solenoid valve has a 3/4" male connector (**Figure 24**). Make sure there is approximately 27" (70 cm) of excess tubing behind the unit for easy connection.

Note

A 3/4" to a 1/4" adapter and cable clip are supplied with the icemaker.

Remove the cover cap (**4**) from the solenoid valve (**1**). Install the connection bracket (**2**) with sealing ring (**6**) on the solenoid valve (**1**). Attach the copper tube to the connection bracket (**2**). Secure the copper tube (**3**) to the appliance using the cable clip (**5**).

3. Open the shut-off valve for the water supply and check the entire water system for leaks. Before the appliance is used for the first time a licensed plumber should bleed air from the system.
4. Insert the electrical plug for the combined refrigerator/freezer into the electrical outlet (**Figure 23**).
5. Move the combined refrigerator-freezer into final position in the room.

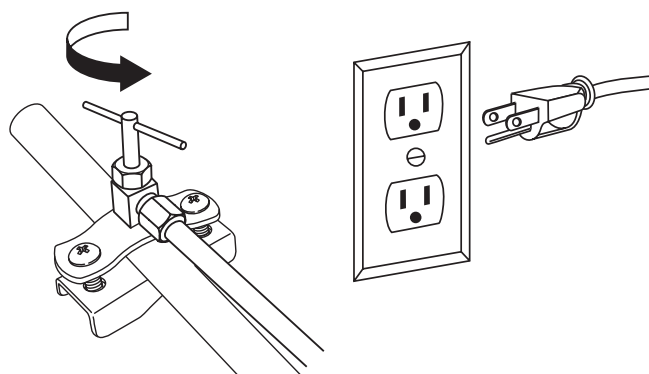


Figure 23

SIDE-BY-SIDE INSTALLATION

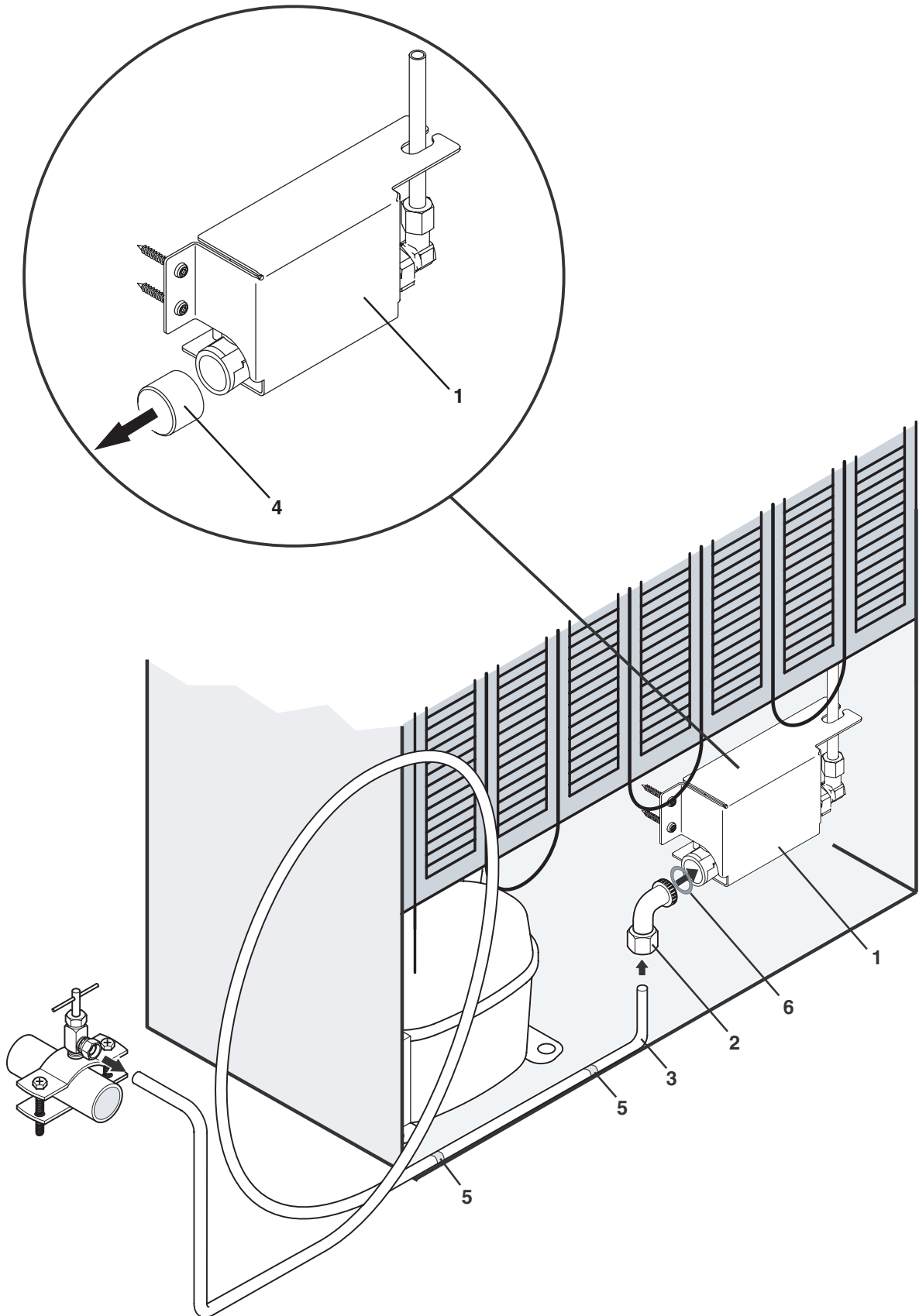


Figure 24

A delight in freshness

SIDE-BY-SIDE INSTALLATION

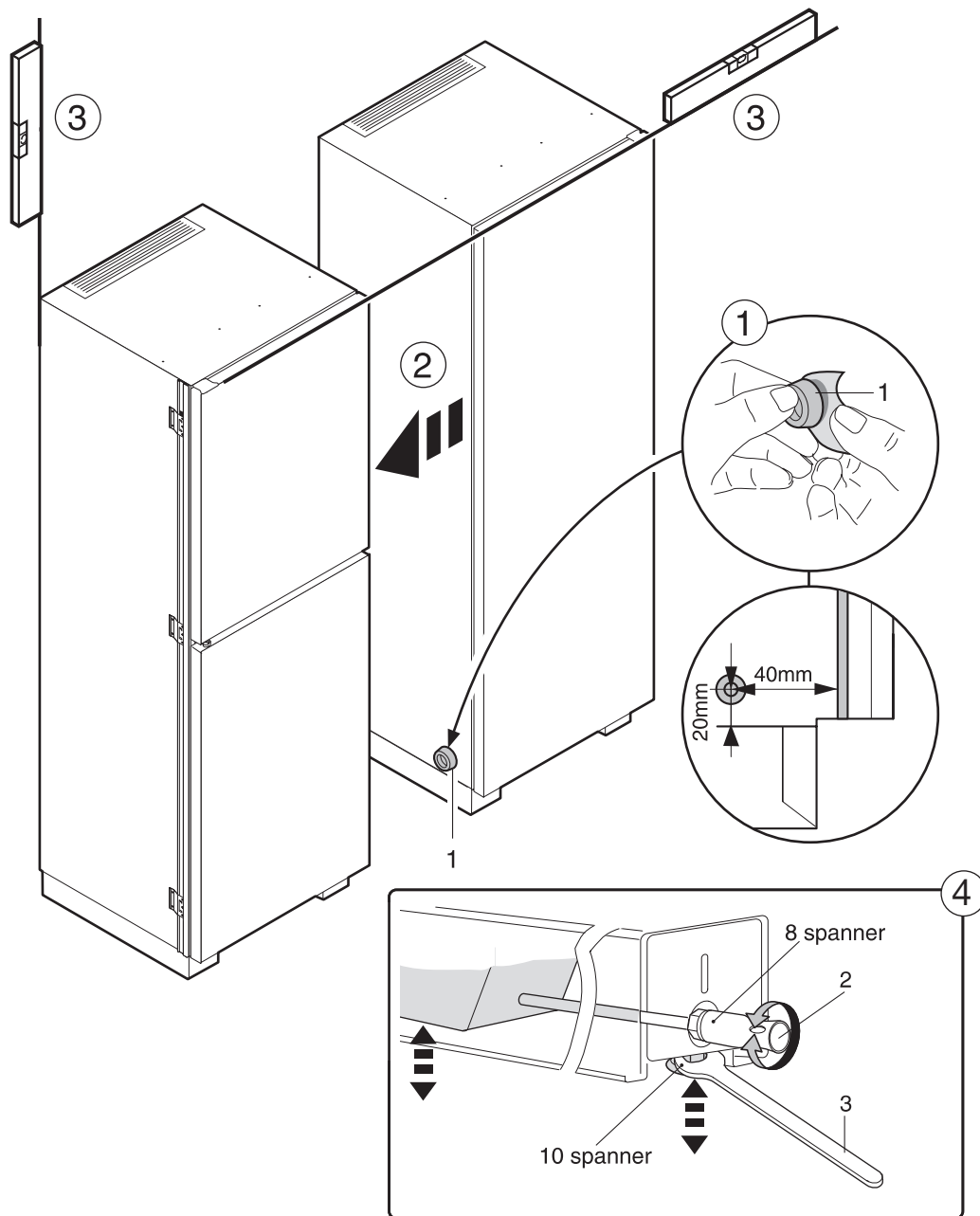
Figure 25: To install the BFI 1051 appliances side-by-side, proceed as follows:

- Always place the BF/BFI 1051 with the hinges on the left-hand side (looking from the front).

Installation with SBS Ventilation Grille Set:

1. Affix the spacer (1) on the side wall of the appliance – remove the protective film.

2. Push the appliances together,
 - align them *parallel* to each other.
3. Use a level on the top to align them *to the same height*.
4. Use the adjustable roller base (2, 3) and adjusting bolt (2) at the rear.



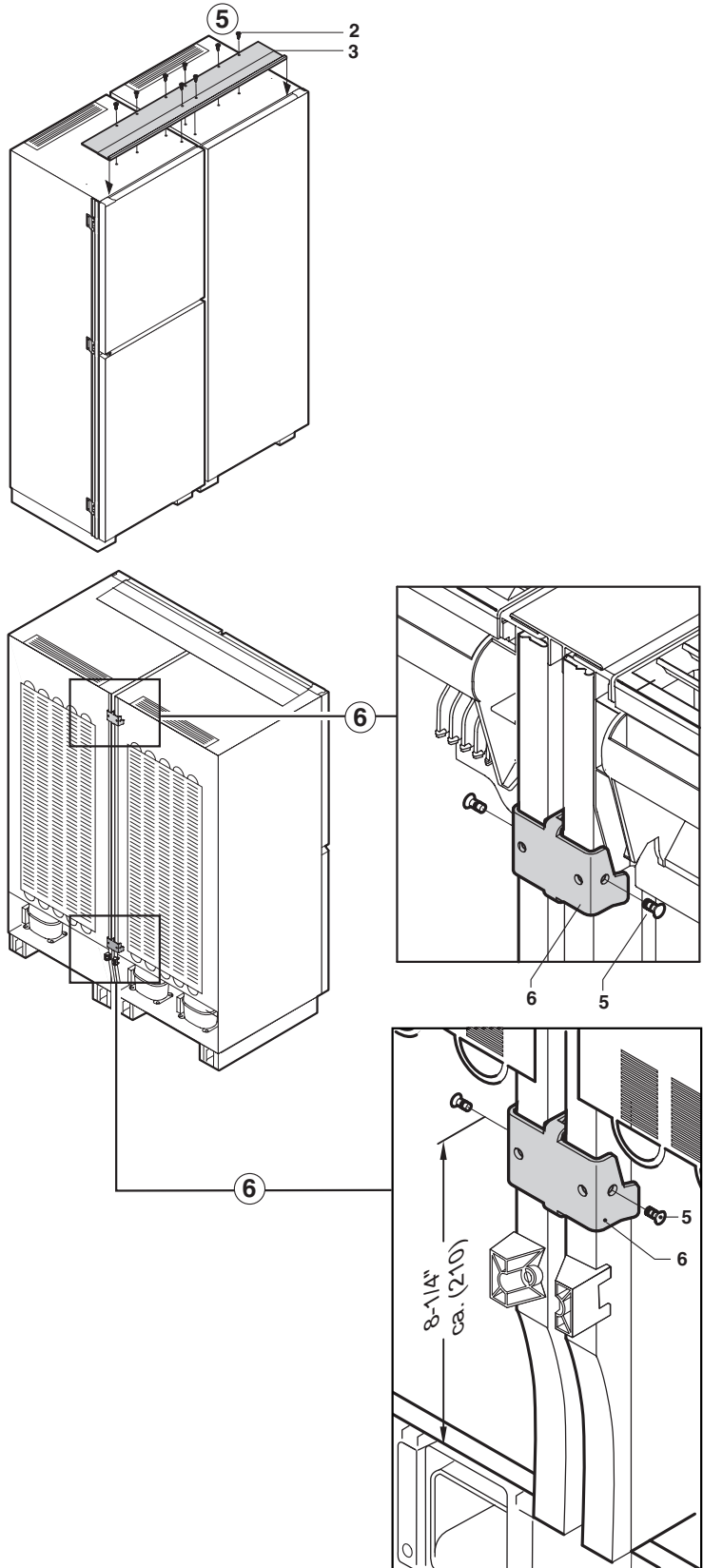
LBR039

Figure 25

SIDE-BY-SIDE INSTALLATION

- Secure the installation frame (3) at the top to the appliances (2).
Align the appliance at the front bottom.

- Figure 26:** Position the attachment brackets (6) at the rear of the appliances at the top and bottom. Slide the upper attachment bracket upwards as far as possible. Secure it at the side using the screws provided (5).



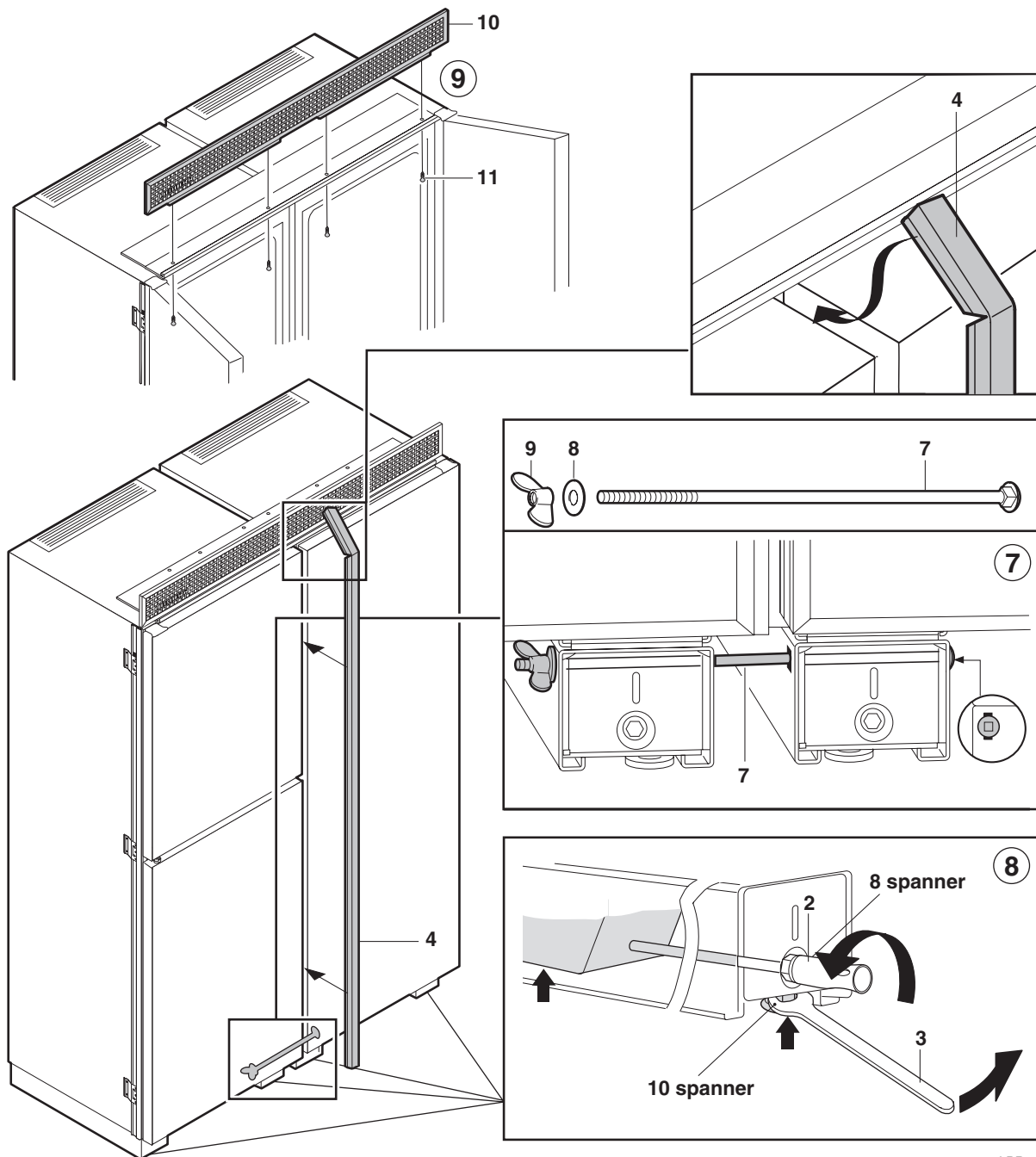
LBR040

Figure 26

A delight in freshness

SIDE-BY-SIDE INSTALLATION

- Figure 27:** Push the long carriage bolt M5x260 (7) through the leveling wheels as shown. Fit in a washer (8). Screw on the wing nut (9) and tighten it *manually*. Do not overtighten.
- Screw in all the leveling wheels. Otherwise you will damage the floor when you push in the appliances.
- Secure the ventilation grille (10) to the appliance (11). Push in the sealing strip (4) as shown.



LBR041

Figure 27

A delight in freshness

SIDE-BY-SIDE INSTALLATION

10. **Figures 28, 29:** Slide the side installation frames (15) upward until they are in contact with the underside of the ventilation grille, **Figure 28**.
11. Secure the side frames with the adhesive section (17) to prevent them from sliding down. Remove the protective film and place the adhesive sections over the upper brackets on the handle and hinge sides.
12. Install anti-tip brackets for each appliance. Refer to "Blocking For Safety."

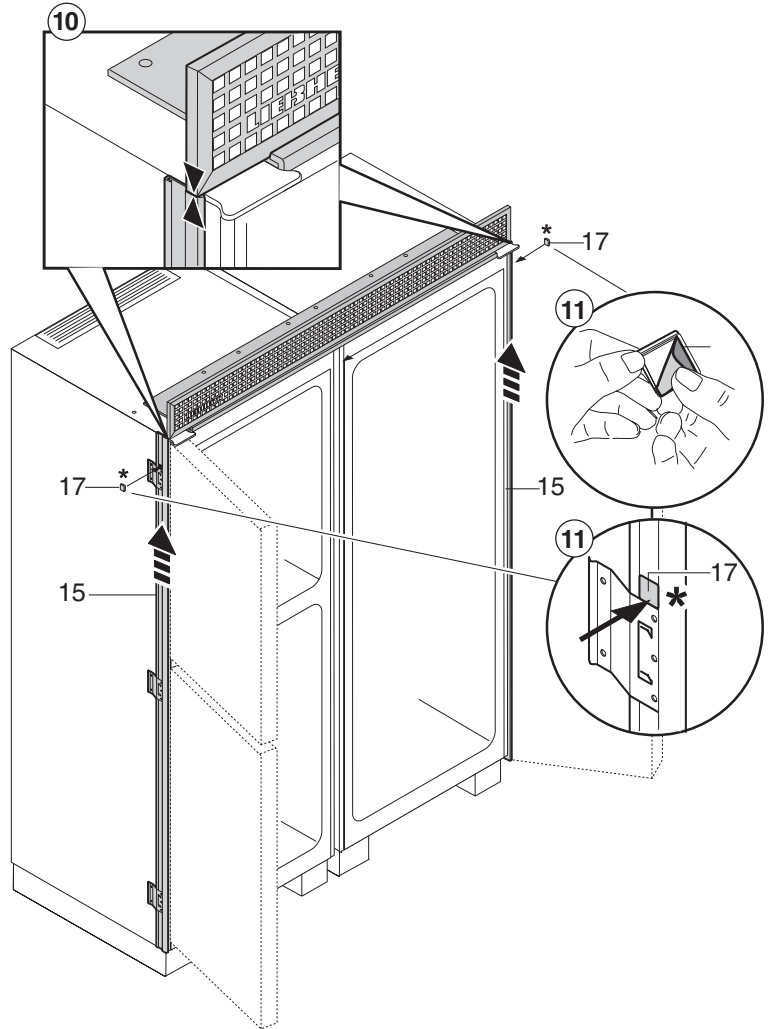


Figure 28

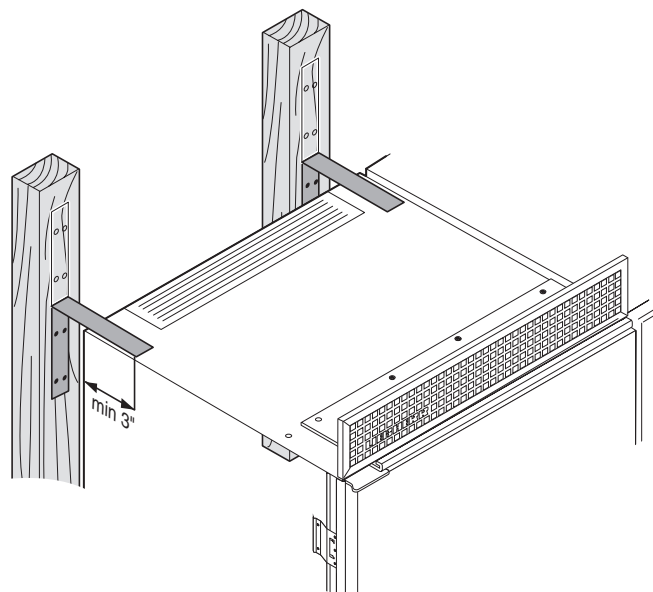


Figure 30

A delight in freshness

SIDE-BY-SIDE INSTALLATION

13. **Figure 30, 31: Connect the appliances:**
- to the main power supply and
 - to the water supply if the appliance is equipped with an IceMaker. See "IceMaker, Water Connection," **Figure 30**.
14. Carefully slide the connected appliances into the recess until the ventilation grille touches the top, **Figure 31**.
15. Align the appliances by using only the **outer** leveling wheels at the front (**3**) and rear (**2**).

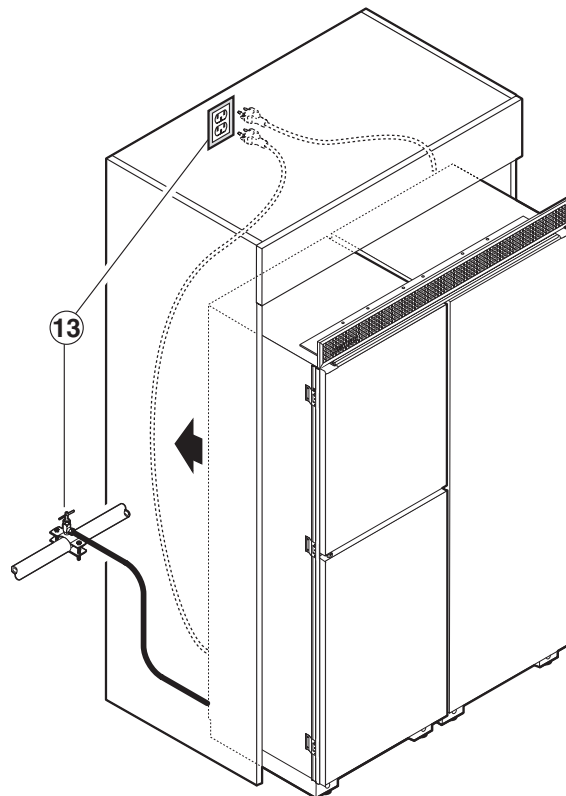


Figure 30

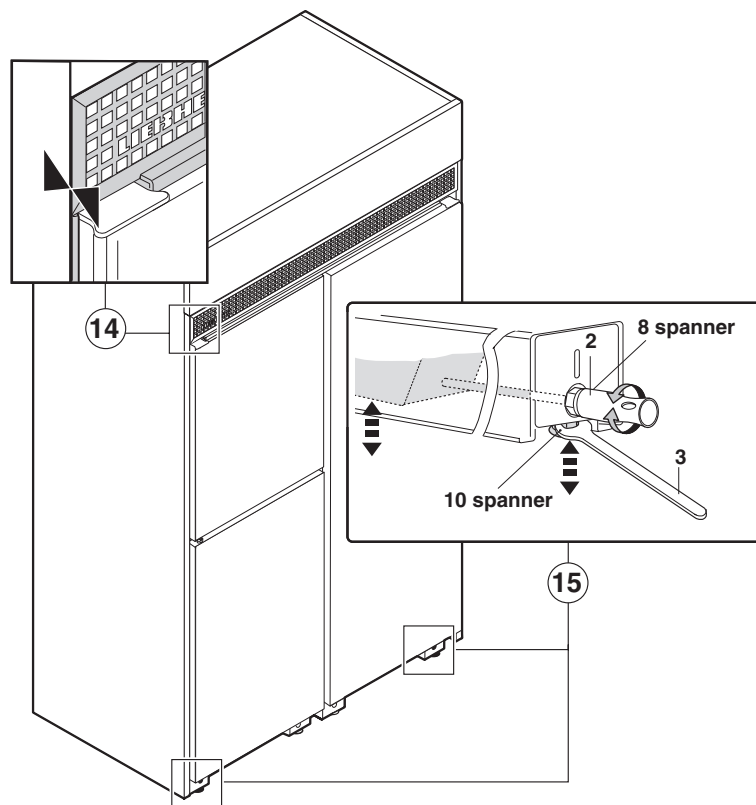
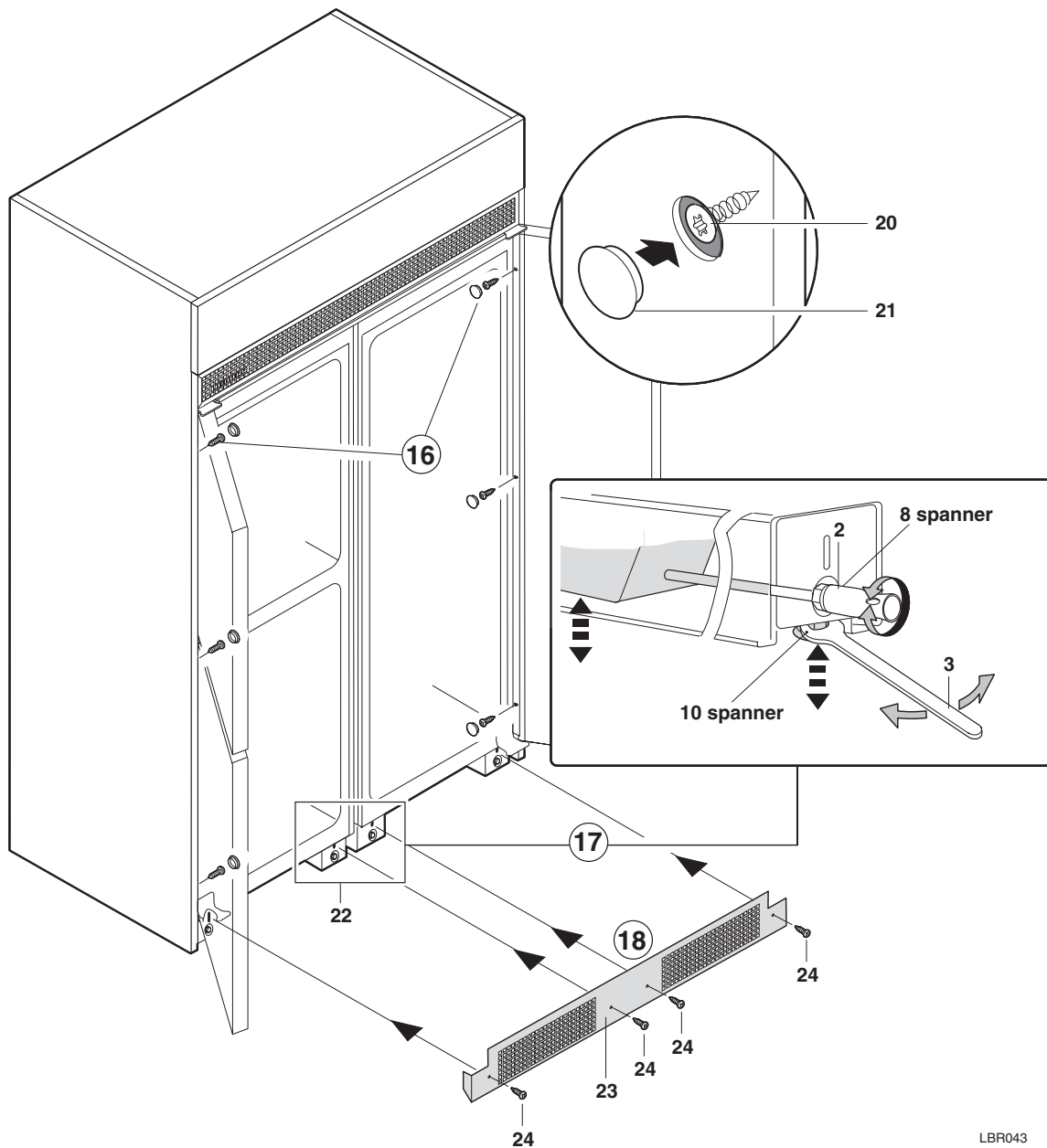


Figure 31

LBR042

SIDE-BY-SIDE INSTALLATION

16. **Figure 32:** Attach the *aligned* combination to the surrounding kitchen cabinet. Secure it through the side frames using the screws (20) provided.
 - Cover the screws with cover caps (21).
17. Now adjust the center adjustable roller bases (22) so that they **make slight contact with the floor**.
18. Install the lower ventilation grille (23): Secure the ventilation grille so that it touches the floor and adjust it using the slots.



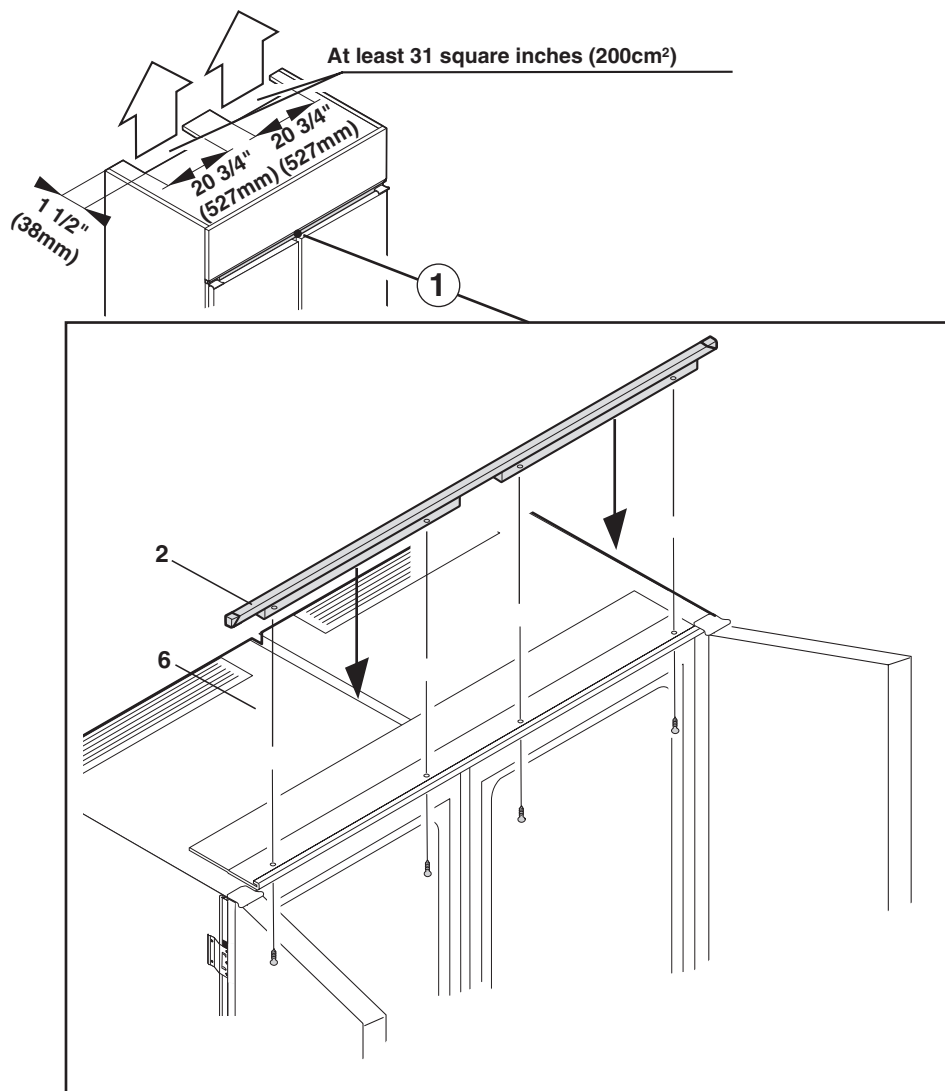
LBR043

Figure 32

A delight in freshness

SIDE-BY-SIDE INSTALLATION

1. For built-in appliances without ventilation grilles and only with installation frame (2), ventilation must take place through the ventilation duct at the rear of the cabinet. Ensure that the ventilation cross-section is at least 31 square inches (200 cm²) per appliance. At least 62 square inches (400 cm²) for side-by-side installation of two appliances. Built-in appliances with an installation frame:
 - **Figure 33:** Screw the installation frame (2) to the appliance through the attachment brackets.



LBR033

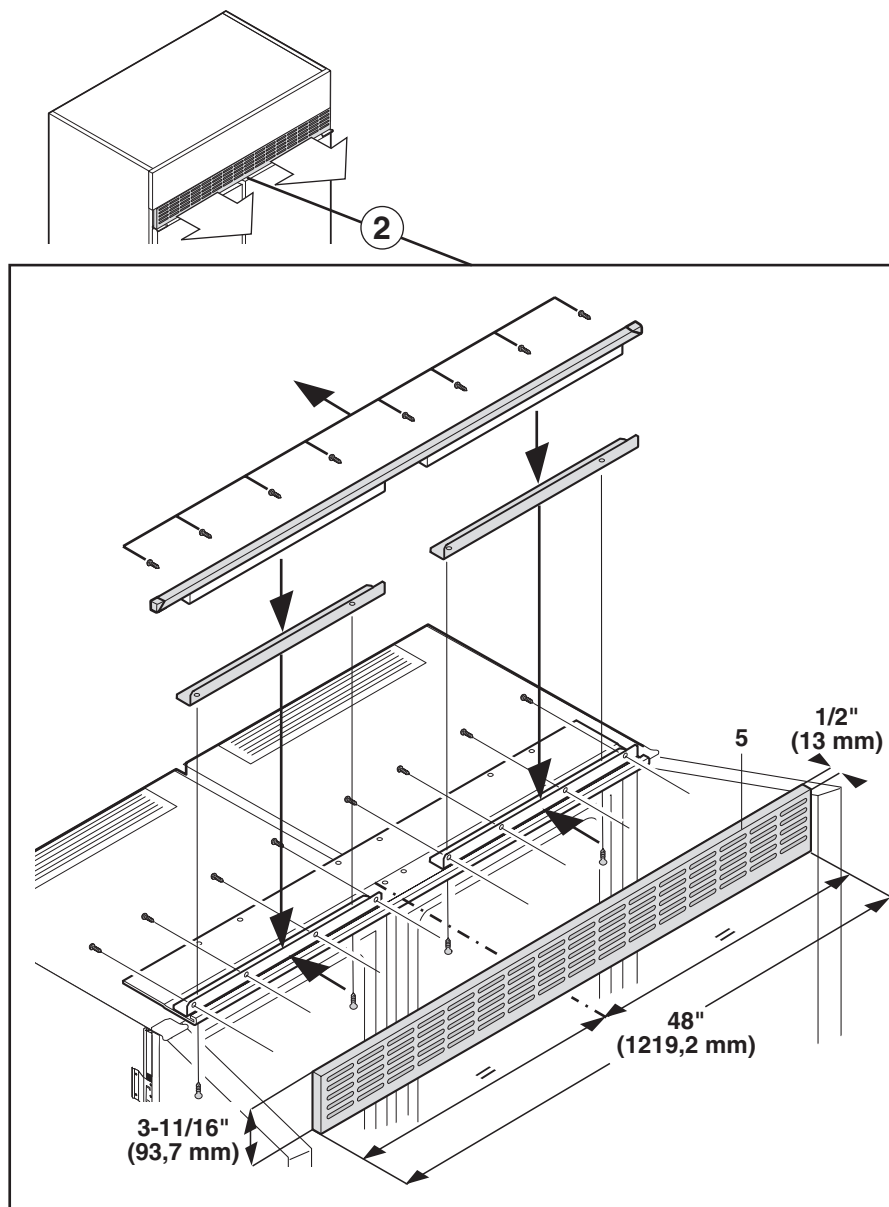
Figure 33

SIDE-BY-SIDE INSTALLATION

Built-in appliances with a wooden ventilation grille:

2. **Figure 34:** Cut out the wooden trim for use as a ventilation grille using the attached template.
- The required ventilation cross-section must be at least 62 square inches (400 cm²) for side-by-side installation of two appliances, which corresponds to the attached template "double-size."

- Remove the attachment brackets from the installation frame (2) and screw them to the appliance from underneath.
- Place the wooden ventilation grille (5) on the appliance, align it in the center and secure it from the rear using the attachment brackets.



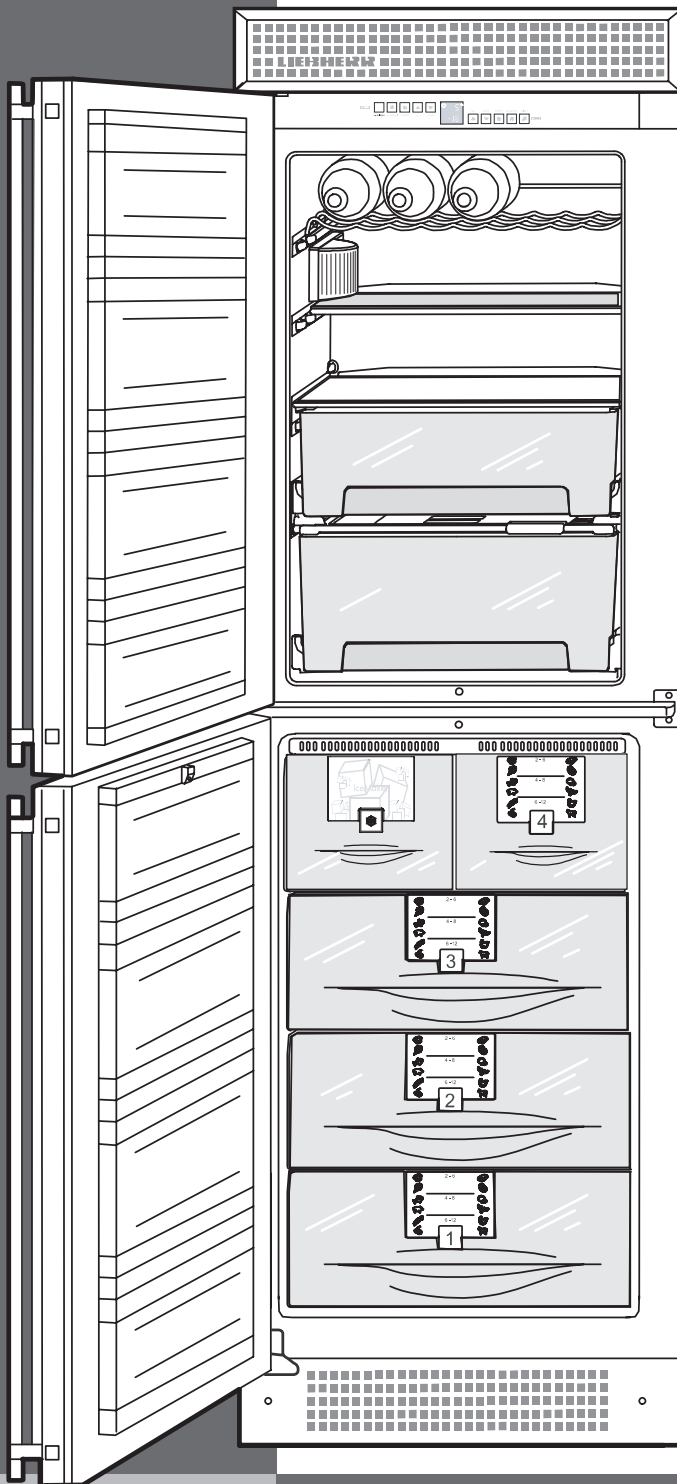
LBR044

Figure 34

A delight in freshness

NOTES

LIEBHERR



Instructions de montage

Pour combinés réfrigérateur-congélateurs anti-givre BioFresh et les appareils côte à côte

BF/BF1051 / BGEN/es 2956
7082 248-00

IMPORTANT

VEUILLEZ LIRE ET SUIVRE CES INSTRUCTIONS

Ces informations contiennent des avertissements et des mises en garde. Elles sont importantes pour une installation sûre et efficace.

Lisez et respectez toujours les avertissements et les mises en garde !



AVERTISSEMENT

Indique un danger qui peut provoquer des blessures graves voire la mort si les précautions ne sont pas respectées.



PRECAUCIÓN

Indique une situation pouvant induire de légères blessures ou des dommages matériels si les instructions ne sont pas suivies.

IMPORTANT

Souligne des informations particulièrement importantes pour réaliser une installation sans problème.

Assurez-vous que la tension secteur correspond à la tension nominale de l'appareil.

Pour réduire le risque d'incendie, d'électrochoc ou de blessures, les travaux d'installation et le câblage électrique doivent être confiés à un électricien qualifié selon les codes et normes applicables, y compris à la construction résistante au feu.

À L'ATTENTION DE L'INSTALLATEUR

Il est très important de suivre toutes les directives et instructions contenues dans ce manuel afin de garantir l'installation et le fonctionnement adéquats de l'appareil. La section des consignes d'installation contient des renseignements importants relatifs à une bonne installation. Assurez-vous de lire attentivement et de bien comprendre toutes les informations contenues dans les consignes d'installation et dans ce manuel avant d'installer l'appareil.

TABLE DES MATIÈRES

Sommaire	Page
Consignes d'installation	39
Encombrement	39
Exigences électriques	39
Responsabilité du client	39
Fixation de sécurité	39
Ventilation de l'appareil	39
Préparatifs	40
Dimensions d'ouverture de l'élément de cuisine	40
Assemblage des panneaux décoratifs	43
Intégration aux éléments de cuisine	44
Panneaux décoratifs encadrés	44
Panneaux décoratifs superposés	45
Inversion des charnières de porte	50
Angle d'ouverture de la porte	53
Installation	55
Fixation de sécurité	58
Machine à glaçons	59
Raccordement à l'arrivée d'eau	59
Raccordement au réseau d'eau	60
Installation côte à côte	61

CONSIGNES D'INSTALLATION

Encombrement

Vérifiez les points suivants :

- Les planchers peuvent supporter le poids de l'appareil augmenté d'un poids d'environ 1200 livres (544 kg) correspondant aux aliments.
- Le revêtement de sol dans la cuisine est à niveau. L'appareil doit être calé si les hauteurs de plancher ne sont pas égales pour garantir la non-obstruction des grilles de ventilation.
- Retirez tout ce qui est attaché aux parois arrière ou latérales et risque d'entraver l'ouverture de la porte.
- Les dimensions des découpes sont précises.
- La prise de courant est correctement placée.

N'installez pas cet appareil à côté d'un autre réfrigérateur ou congélateur. Ceci est important pour éviter tout dommage suite aux écoulements d'eau de condensation et autres dégâts.

Exigences électriques

Si les règlements exigent un circuit indépendant de mise à la terre, demandez à un électricien qualifié d'installer le circuit.

AVERTISSEMENT

Ne mettez pas à la terre sur un tuyau de gaz. En cas de doute, assurez-vous avec un électricien qualifié que l'appareil est correctement mis à la terre. Ne mettez pas de fusible dans le circuit du neutre ou le circuit de mise à la terre.

AVERTISSEMENT

RISQUE D'ÉLECTROCHOC

- **Mettre l'appareil à la terre.**
- **Ne pas utiliser de rallonge.**
- **Suivez ces instructions sous peine d'incendie ou d'électrochoc.**

AVERTISSEMENT

RISQUE D'ÉLECTROCUTION

Mise à la terre nécessaire. Le cordon d'alimentation de cet appareil est doté d'une fiche à trois broches polarisée (avec mise à la terre) pour vous protéger contre les risques d'électrocution éventuels.

- **NE PAS ôter la broche ronde de mise à la terre.**
- **NE PAS utiliser un adaptateur de mise à la terre à 2 broches.**
- **NE PAS utiliser de rallonge pour raccorder l'appareil au secteur.**

Responsabilité du client

Une alimentation électrique à fusible de 15 A (20 A pour une installation côte à côte), 60 Hz et 115 V est nécessaire. Nous recommandons l'utilisation d'un circuit dédié à cet appareil pour éviter une surcharge électrique. Suivez le code national de l'électricité ou les codes ou réglementations locaux lors de l'installation de la prise.

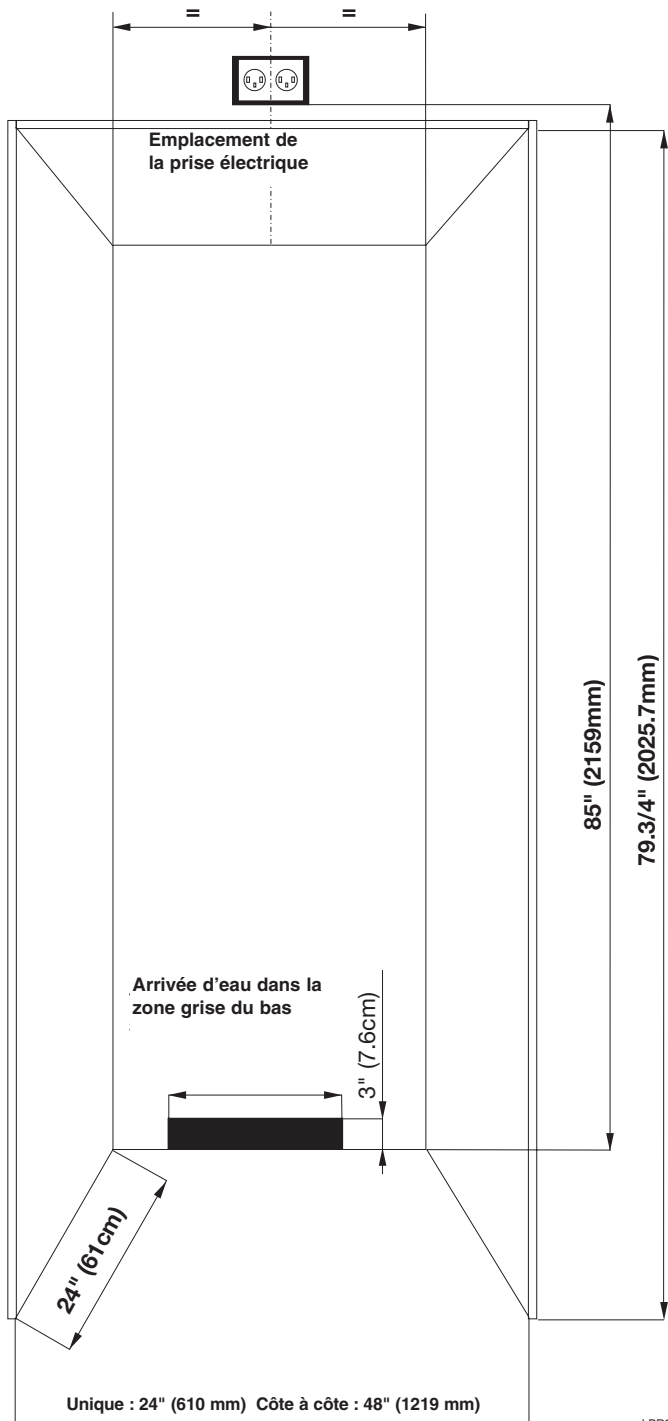
Fixation de sécurité

Les équerres anti-basculement doivent être installées afin d'empêcher que l'appareil ne bascule une fois installé. Consultez « Fixation de sécurité ».

Ventilation de l'appareil

NE RÉDUISEZ PAS le débit d'air. Pour pouvoir fonctionner, l'appareil doit recevoir un débit d'air. Les grilles de ventilation de l'usine fournissent 31 pouces carrés (200 cm²) de débit d'air par unité. Si vous remplacez les grilles de l'usine par une grille décorative personnalisée, le débit d'air doit être égal ou supérieur à celui des grilles de l'usine.

Dimensions de l'ouverture de l'élément de cuisine - Figure 1



LBR022

Figure 1

Les appareils doivent pouvoir être ouverts à 90° minimum pour éviter des problèmes lors du retrait des tiroirs et des bacs. Lorsque la porte est ouverte à 90°, il est possible que vous ayez à déplacer légèrement les bacs pour pouvoir les dégager.

Reportez-vous aux écarts minimum dans le tableau des spécifications pré-installation.

- En cas d'installation en coin, prévoyez un bourrelet de 3-3/4 po (95 mm) afin que la porte puisse s'ouvrir à 90°. Si des panneaux surélevés sont utilisés, le bourrelet devra être plus large.

IMPORTANT

Reportez-vous aux illustrations à l'échelle à la fin de ce chapitre pour les spécifications concernant les ouvertures de porte et les autres tailles de bourrage.

PRÉPARATIFS

BFI 1051 côte à côte - Figure 3

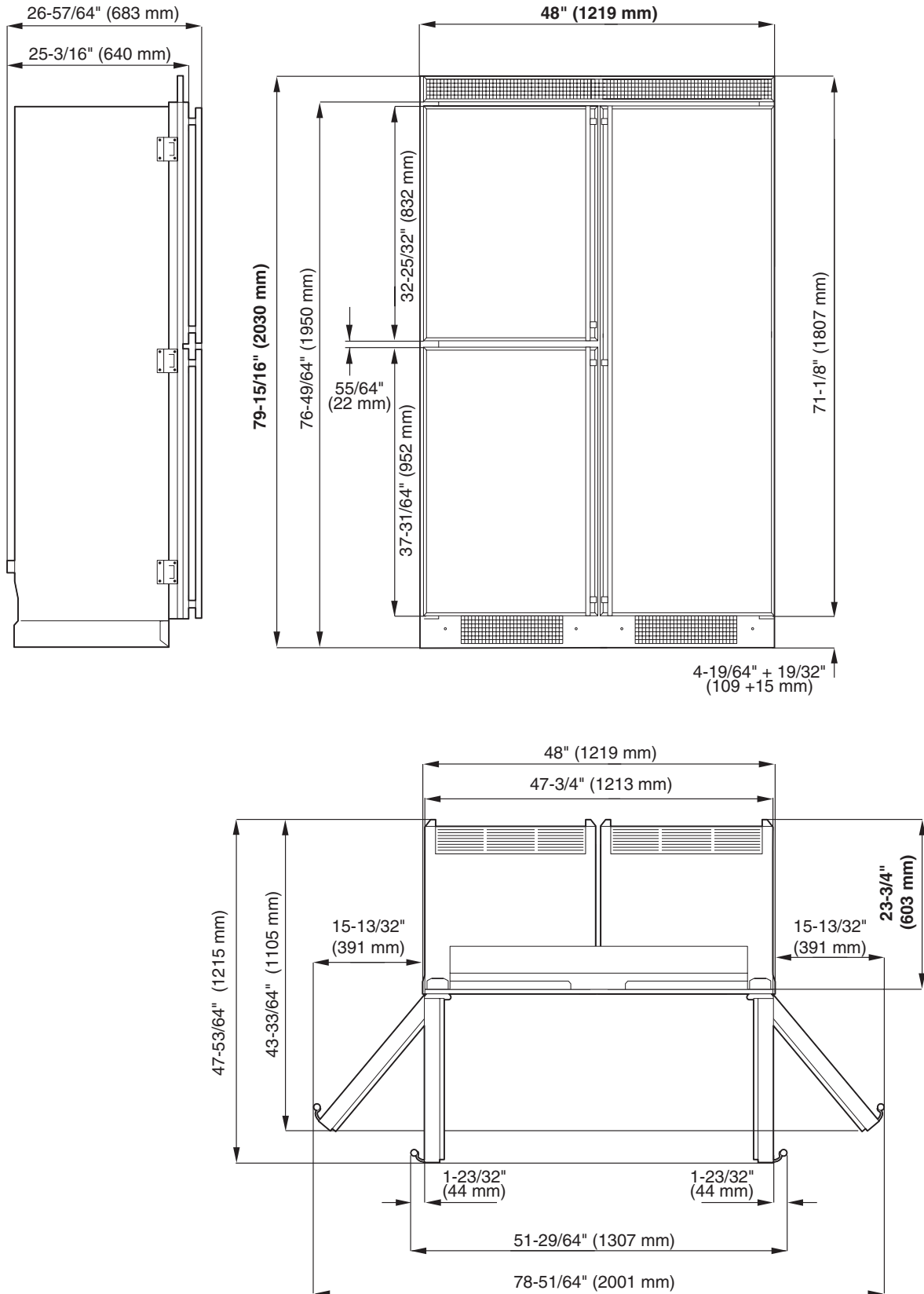


Figure 3

Un délice de fraîcheur

ASSEMBLAGE DES PANNEAUX DÉCORATIFS

Figure 4

Procédez comme indiqué sur l'illustration :

- (1) Cadres de changement de porte
- (2) Panneau décoratif
- (3) Vis pour cadres de changement de porte
- (4) Poignée, selon le modèle
- (5) Vis M4 x 10 pour la poignée
- (6) Bourrelet

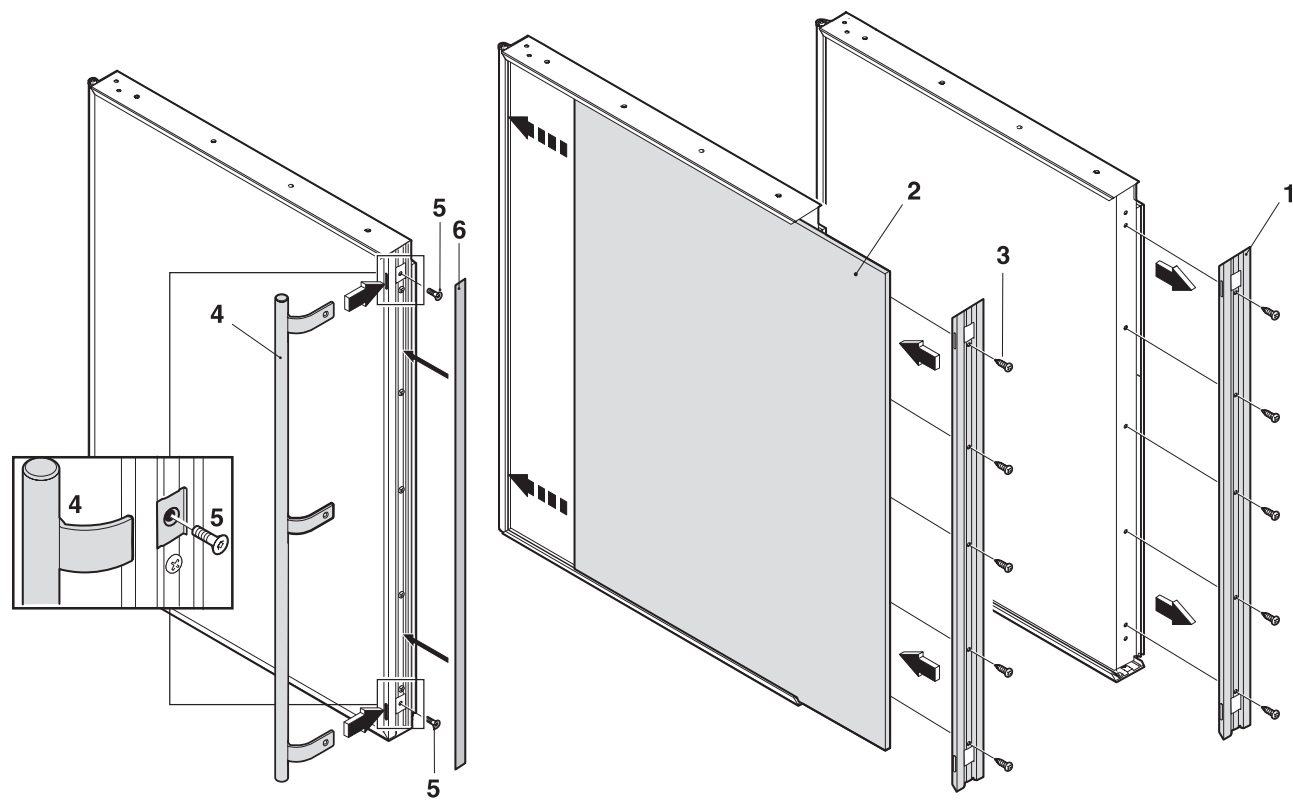


Figure 4

INTÉGRATION AUX ÉLÉMENTS DE CUISINE

Panneaux décoratifs encadrés -

Figure 5

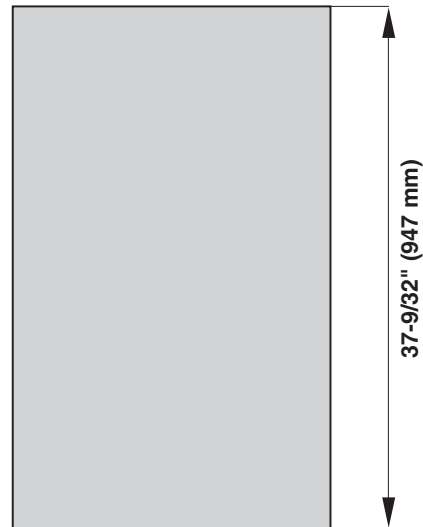
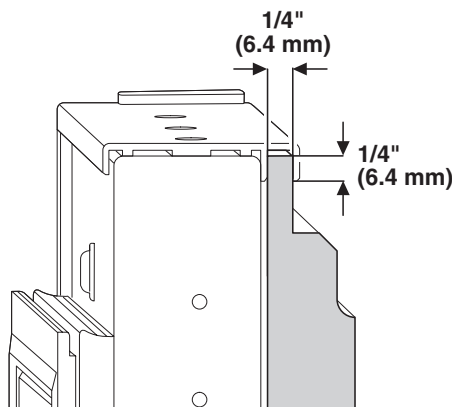
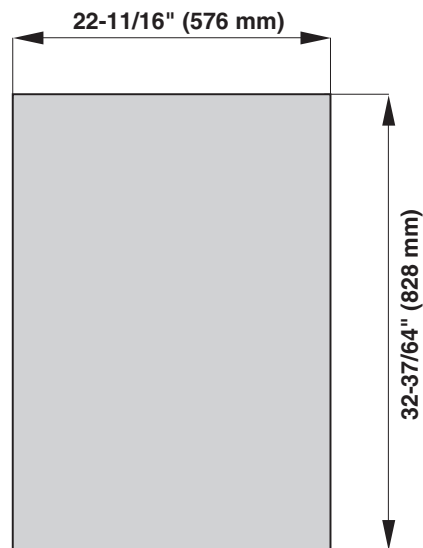
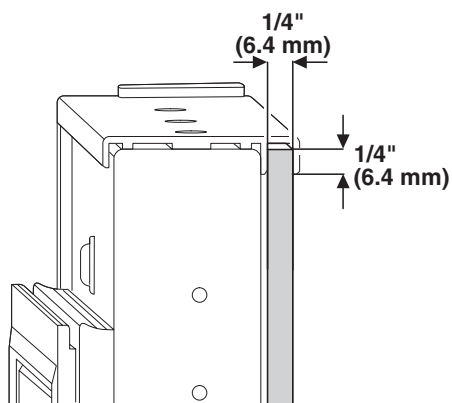
Si l'épaisseur des panneaux décoratifs est inférieure à 1/4 po (0,635 cm), ils doivent être renforcés au moyen d'une feuille de matériau de calage pour obtenir l'épaisseur totale de 1/4 po (0,635 cm). Si l'épaisseur du panneau est supérieure à 1/4 po (0,635 cm), un bord être chanfreiné sur son périmètre pour garantir un ajustement approprié.

IMPORTANT

Si vous remplacez les grilles de ventilation de l'usine par une grille décorative personnalisée, **N'ENTRAVEZ PAS** le débit d'air. Le débit d'air doit être égal ou supérieur à celui fourni par les grilles de l'usine - 31 pouces carrés (200 cm²).

Les poignées de porte doivent être installées avant la mise en place des cache-vis. Si vous n'installez pas les poignées avant les cache-vis, vous risquez d'endommager ces derniers. Les cache-vis sont collés avec un ruban sur la porte de l'appareil pour l'expédition. Faites attention lorsque vous les retirez.

Le poids du panneau de porte ne doit pas être supérieur à 25 livres (11,3 kg).



LBR023

Figure 5
Un délice de fraîcheur

INTÉGRATION AUX ÉLÉMENTS DE CUISINE

Panneaux décoratifs superposés

- Figure 6

La conception superposée permet de recouvrir l'intégralité de la porte pour donner une apparence plus nette qui se fond dans le décor de la pièce. Pour ce faire, il suffit d'utiliser trois panneaux - le panneau superposé décoratif, un panneau intermédiaire de 0,10 po (0,25 cm) et un panneau support de 1/4 po (0,635 cm).

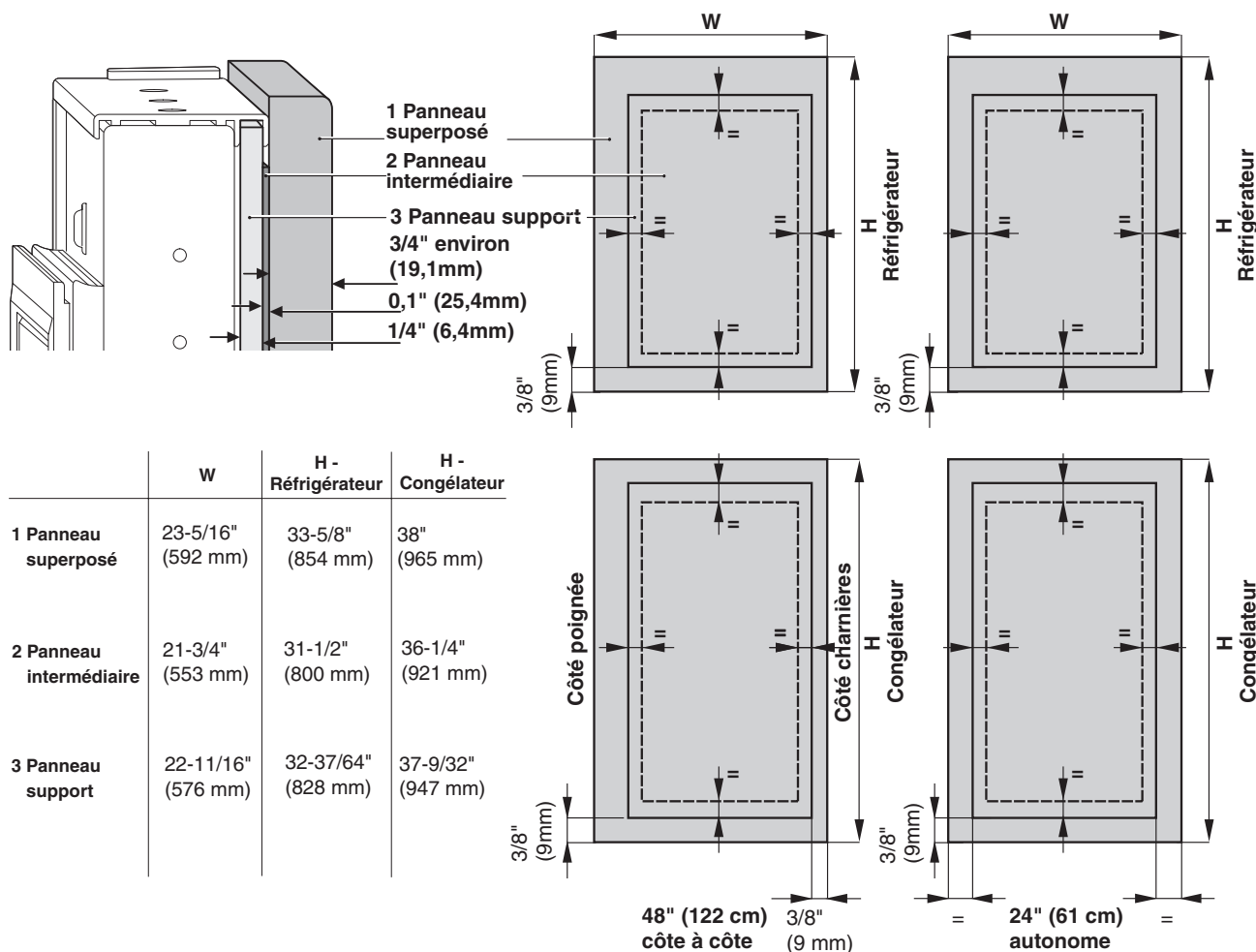
Selon le fabricant de vos meubles de cuisine, il pourrait s'agir d'un panneau chanfreiné pour des dimensions différentes ou, plus vraisemblablement, de trois panneaux différents.

IMPORTANT

Si vous remplacez les grilles de ventilation de l'usine par une grille décorative personnalisée, N'ENTRAVEZ PAS le débit d'air. Le débit d'air doit être égal ou supérieur à celui fourni par les grilles de l'usine - 31 pouces carrés (200 cm²).

Les poignées de porte doivent être installées avant la mise en place des cache-vis. Si vous n'installez pas les poignées avant les cache-vis, vous risquez d'endommager ces derniers. Les cache-vis sont collés avec un ruban sur la porte de l'appareil pour l'expédition. Faites attention lorsque vous les retirez.

Le poids du panneau de porte ne doit pas être supérieur à 25 livres (11,3 kg).



LBR024

Figure 6

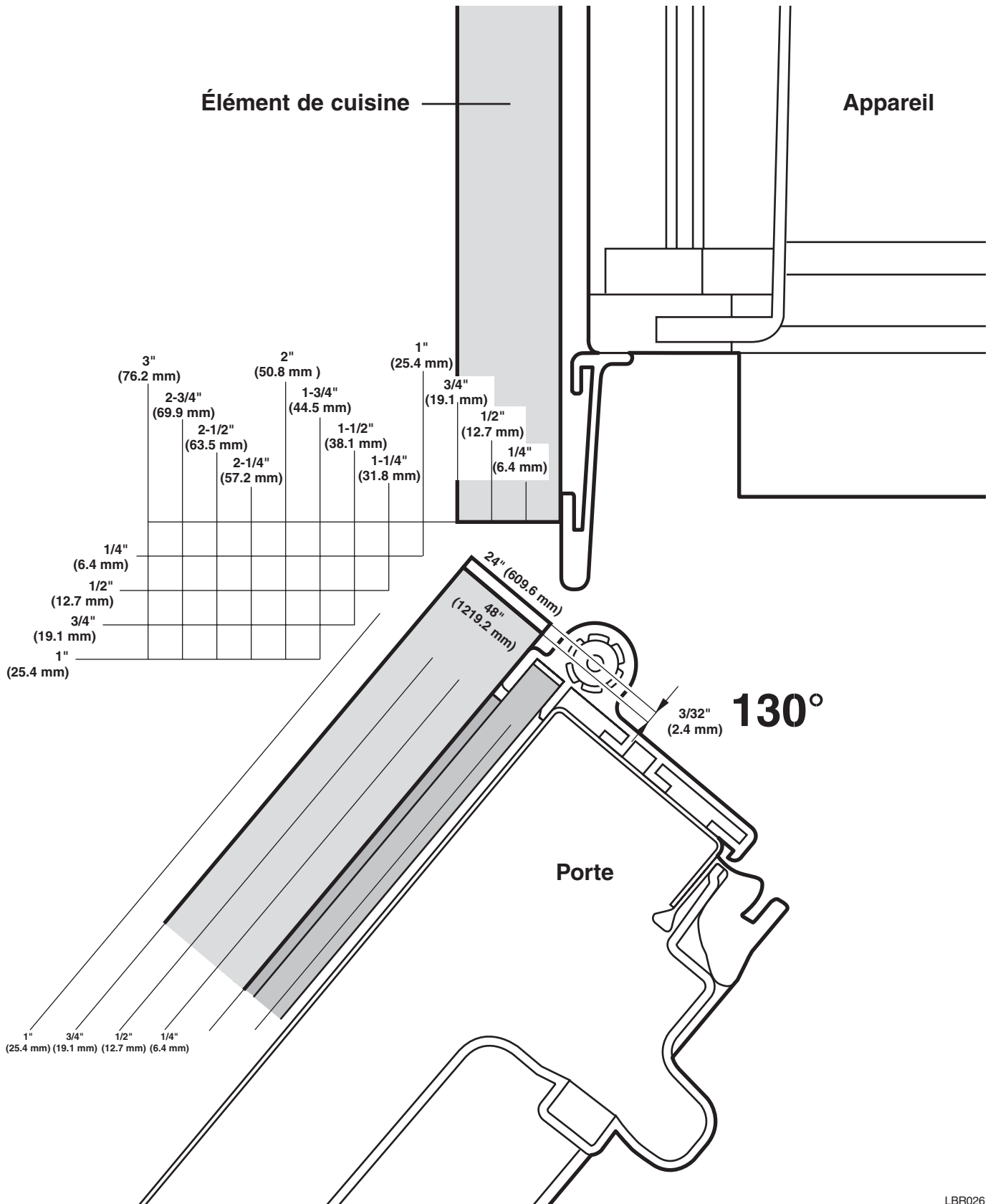
Un délice de fraîcheur

INTÉGRATION AUX ÉLÉMENTS DE CUISINE

Figure 7

Le réglage usine pour l'ouverture de la porte est de 130°. Utilisez cette illustration pour vous assurer qu'aucun autre élément de cuisine ou comptoir n'interfère avec l'ouverture de la porte. Éléments de cuisine sans cadre : La bordure recouvre les éléments de cuisine en haut et sur le côté. Les éléments de cuisine auront éventuellement besoin de bourrelets pour empêcher toute interférence avec l'ouverture de la porte. Pour l'ouverture de la porte, tenez compte de l'utilisation de bourrelets.

INTÉGRATION AUX ÉLÉMENTS DE CUISINE



LBR026

Figure 7
(échelle 1:1)
Un délice de fraîcheur

INTÉGRATION AUX ÉLÉMENTS DE CUISINE

Figure 8

Le réglage usine pour l'ouverture de la porte est de 90°. Utilisez cette illustration pour vous assurer qu'aucun autre élément de cuisine ou comptoir n'interfère avec l'ouverture de la porte. Éléments de cuisine sans cadre : La bordure recouvre les éléments de cuisine en haut et sur le côté. Les éléments de cuisine auront éventuellement besoin de bourrelets pour empêcher toute interférence avec l'ouverture de la porte. Pour l'ouverture de la porte, tenez compte de l'utilisation de bourrelets.

INTÉGRATION AUX ÉLÉMENTS DE CUISINE

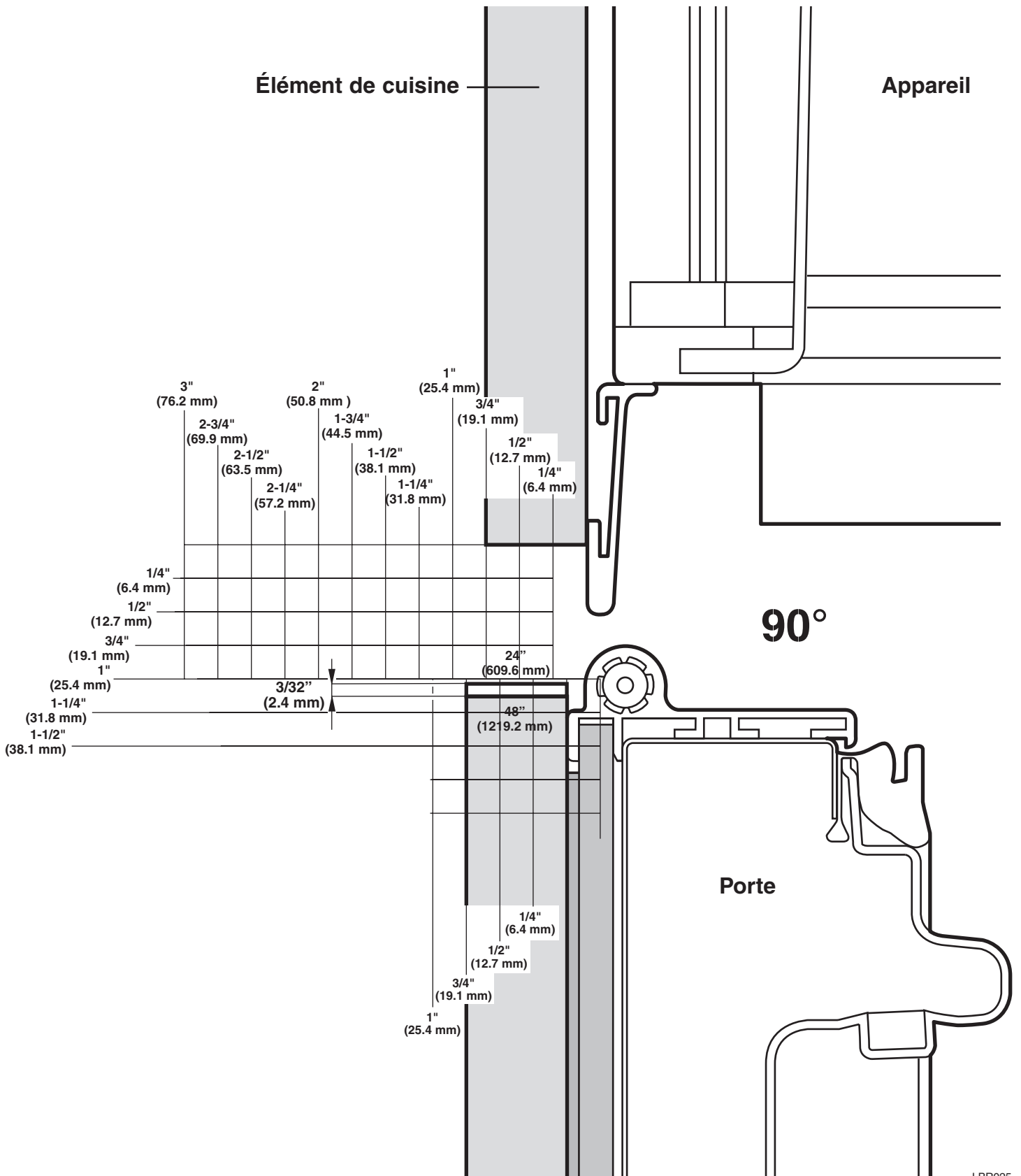


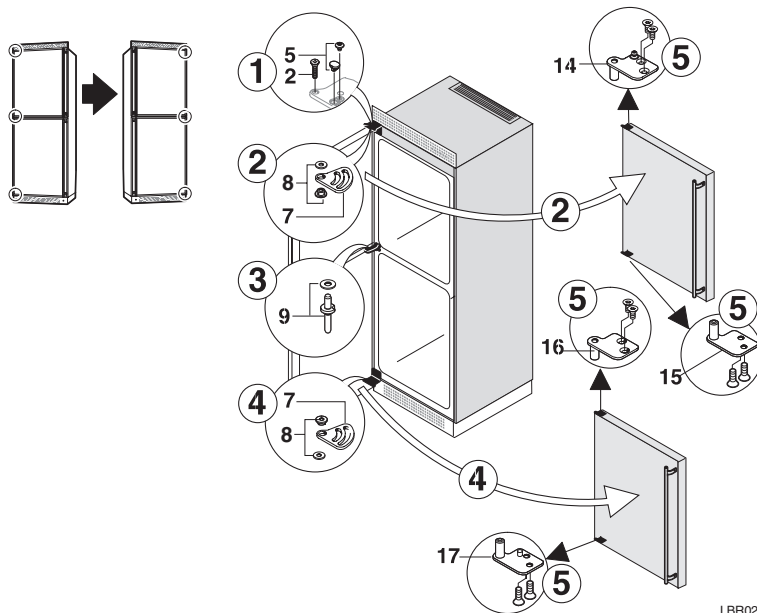
Figure 8
(échelle 1:1)

Un délice de fraîcheur

INVERSION DES CHARNIÈRES DE PORTE

Les charnières de porte peuvent être transférées de l'autre côté au besoin.

1. **Figure 10** : Haut : Dévissez l'axe de charnière (2) et retirez la vis (5) avec l'excentrique.
2. Basculez le haut de la porte vers l'extérieur, en veillant à ne pas perdre la butée (7) et la douille (8) ; soulevez la porte et posez-la par terre.
3. Centre : Retirez l'axe de charnière (9) avec sa rondelle.
4. Basculez la porte inférieure vers l'extérieur, soulevez pour la retirer et posez-la par terre. Veillez à ne pas perdre la butée (7) et les rondelles (8).
5. Dévissez tous les raccords de porte (14, 56, 16, 17).
6. **Figure 11** : Dévissez tous les cadres de changement de porte et intervertissez-les (6 avec 8, 4 avec 7 et poignée - retirez le cache 1). Fixez-les en position à l'aide des mêmes vis.
7. Assurez-vous que les cadres de changement de porte sont correctement positionnés et à onglet.



LBR027

Figure 10

⚠ AVERTISSEMENT

Assurez-vous que les coins des cadres de changement de porte sont correctement positionnés. Leurs bords coupants seront exposés s'ils ne sont pas correctement positionnés ou n'ont pas d'onglet.

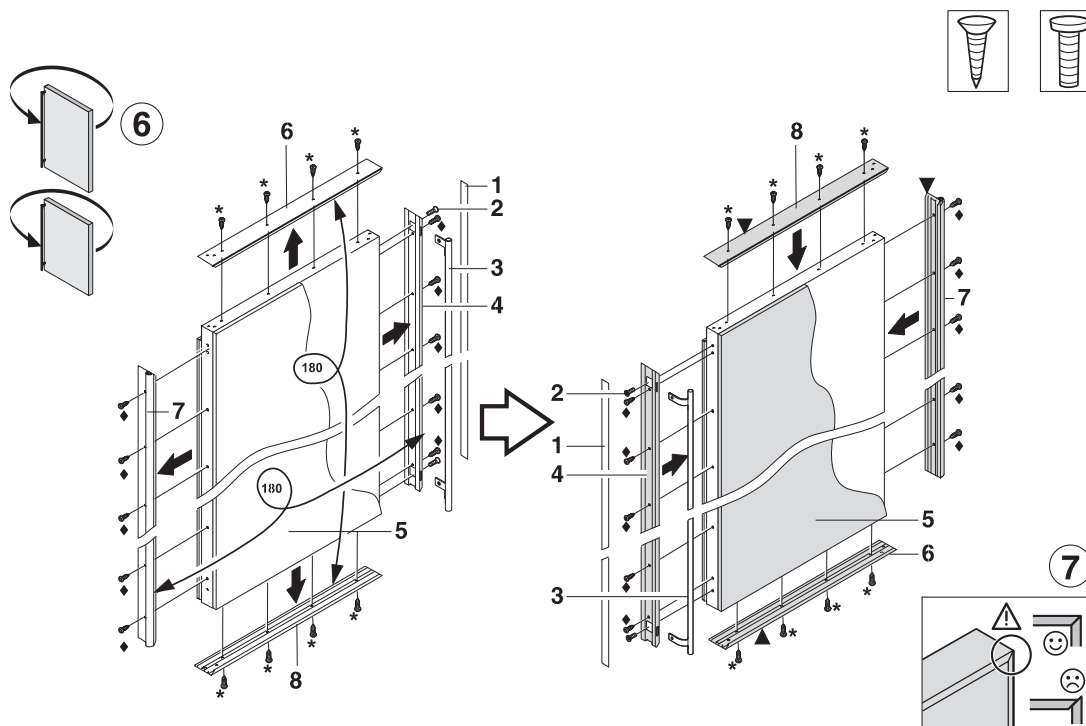
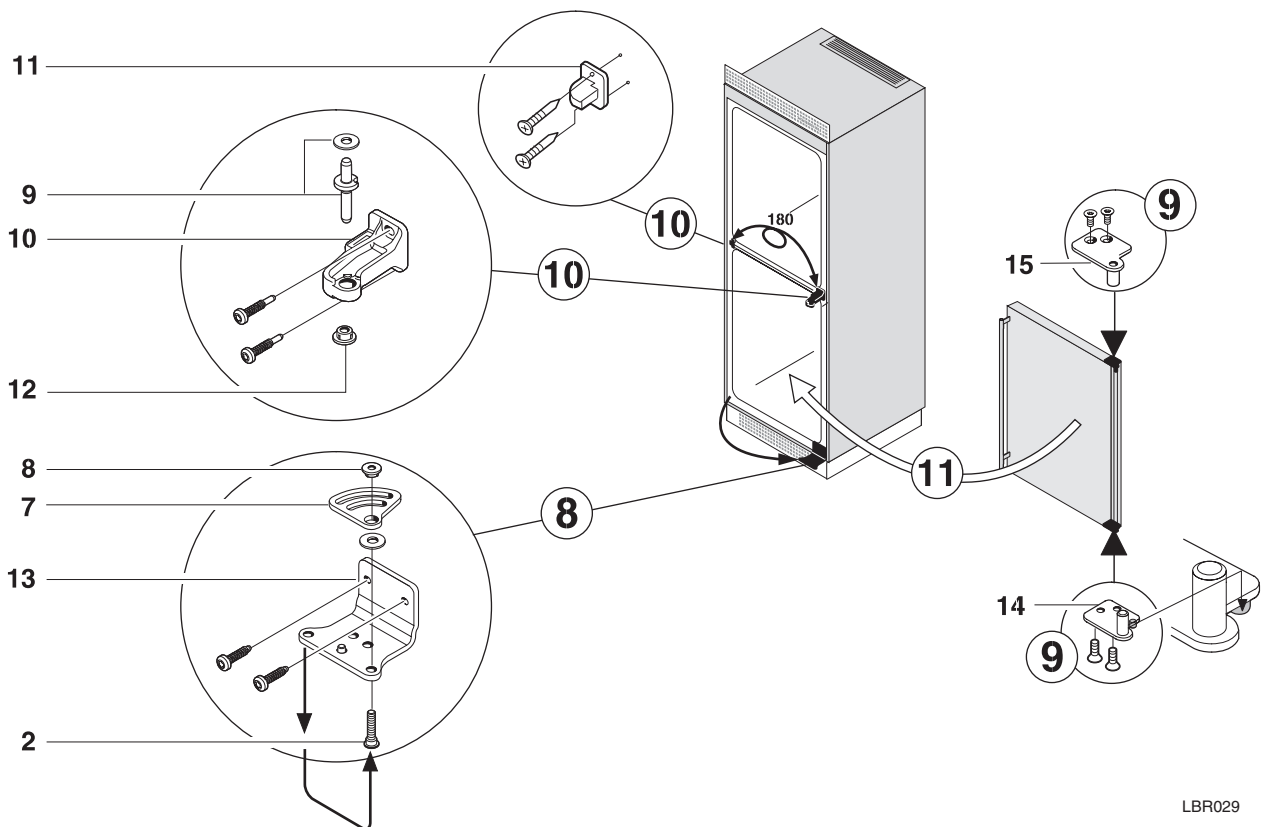


Figure 11

LBRP28

INVERSION DES CHARNIÈRES DE PORTE

8. **Figure 12** : Dévissez la charnière du bas (13).
 - Retirez les butées, la douille et la rondelle (7, 8, 6).
 - Transférez l'axe de goupille (2) du côté opposé.
 - Tournez la butée (7) de 180° et positionnez la douille (8) et la rondelle comme indiqué sur le dessin détaillé.
 - Vissez la charnière (13) sur le nouveau côté.
9. Sur la porte inférieure : Réinstallez tous les raccords de porte (14, 15). Prêtez une attention particulière à la pièce (14) à butée.
 - Basculez la porte.
 - Prêtez une attention particulière à la douille (12) de la charnière centrale (10).
 - Insérez l'axe de charnière (9) et ajoutez la rondelle.
10. Dévissez la charnière centrale (10) et le cache (11), tirez-les sur le côté et après les avoir tourné de 180°, réinsérez-les de l'autre côté et fixez-les en position.
11. Placez la porte inférieure sur l'axe de charnière (2) en bas.
 - Basculez la porte.
 - Prêtez une attention particulière à la douille (12) de la charnière centrale (10).
 - Insérez l'axe de charnière (9) et ajoutez la rondelle.



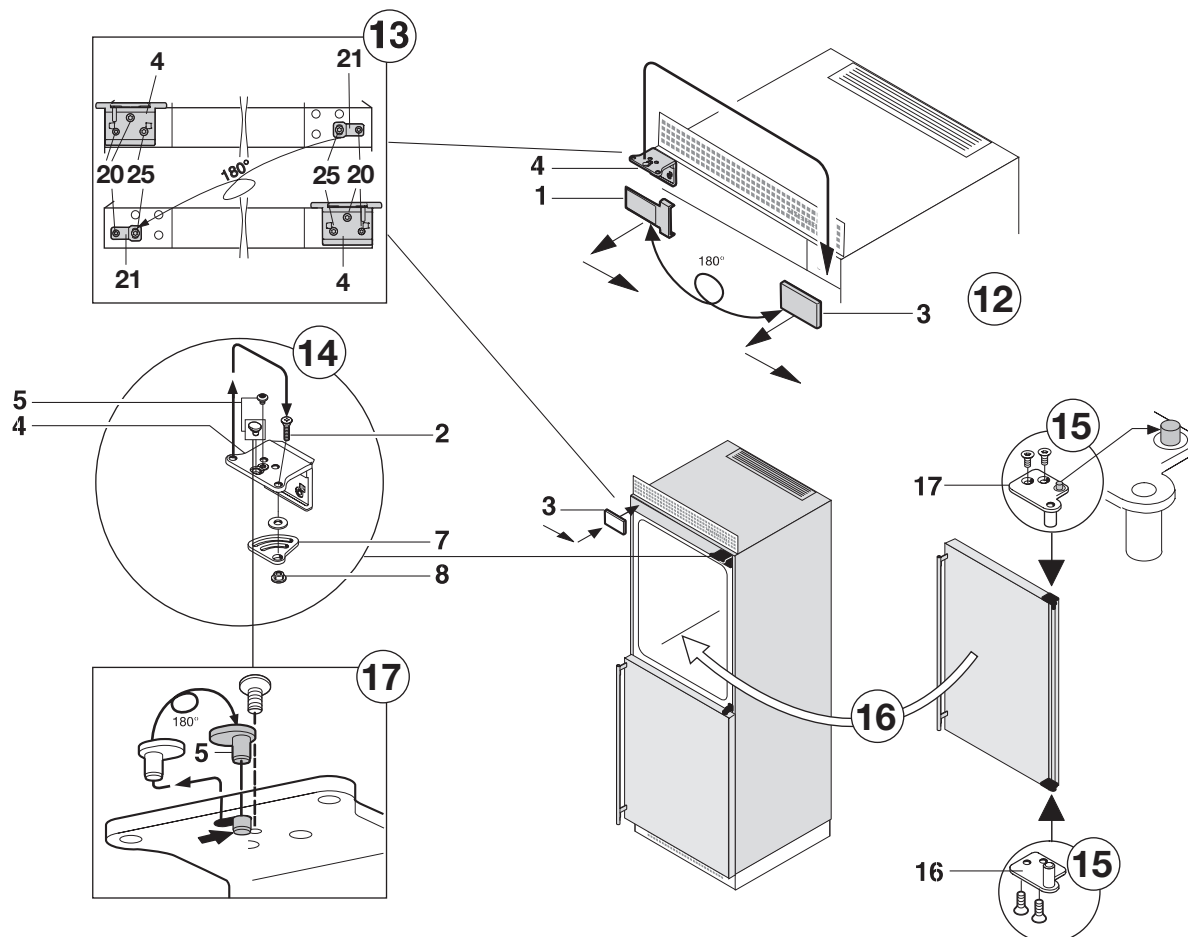
LBR029

Figure 12

INVERSION DES CHARNIÈRES DE PORTE

12. **Figure 13** : Soulevez le cache (3) côté poignée, poussez vers l'extérieur ; soulevez le cache (1) côté charnières et détachez en tirant.
13. Dévissez la plaque de fixation (21) : tout d'abord la vis de fixation (20), puis la vis de retenue interne (25).
- Dévissez la charnière (4) : retirez tout d'abord la vis de fixation (20), puis les vis de retenue (25). Installez la charnière (4) du côté opposé : pour faciliter l'assemblage, installez la charnière par en haut et commencez par serrer la vis de retenue supérieure M5 (25), puis vissez (25) et enfin, serrez la vis de fixation M4 (20).
 - Tournez la plaque de fixation (21) de 180° et vissez bien sur le nouveau côté poignée : tout d'abord la vis de retenue (25), puis la vis de fixation (20).
14. Retirez l'excentrique (5) avec la vis de retenue et la vis (6) de la charnière (4).
15. Sur la porte supérieure : Réinstallez tous les raccords de porte (17, 16). Prêtez une attention particulière au raccord (17) à butée.
16. Placez la porte supérieure sur la charnière centrale, installez la douille (8), la butée (7) et la rondelle sur la porte, basculez la porte vers l'intérieur en haut, puis insérez et fixez l'axe de charnière (2) par en haut, à travers la charnière et la butée.
17. Réinsérez l'excentrique (5) avec la vis de retenue, comme illustré par le dessin détaillé.

Vérifiez l'alignement correct de toutes les portes.
Ajustez-les au besoin à l'aide des fentes de la charnière.



LBR030

Figure 13

INVERSION DES CHARNIÈRES DE PORTE

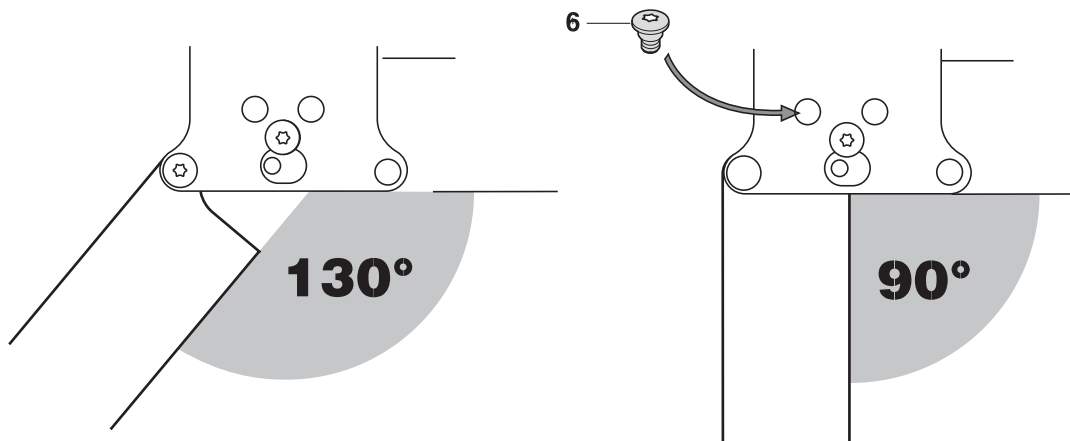
Angle d'ouverture de la porte -

Figures 14, 15

L'appareil a été livré avec un angle d'ouverture de porte de 130°.

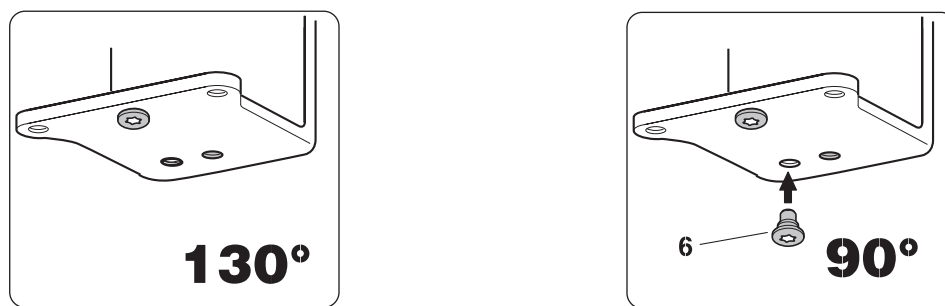
Pour diminuer l'angle à 90°, procédez comme suit :

- **Insérez** la vis attachée (6) dans la charnière **supérieure** comme illustré à la **Figure 14**.
- **Insérez** la vis attachée (6) dans la charnière **inférieure** comme illustré à la **Figure 15**.



LBR031

Figure 14



LBR032

Figure 15

Un délice de fraîcheur

INVERSION DES CHARNIÈRES DE PORTE

Installez le réfrigérateur/congélateur dans un élément de cuisine stable qui a été correctement aligné.

- Montez et fixez les poignées, selon votre modèle et votre préférence.

Figure 16 : Installation avec jeu de grilles de ventilation :

1. Vissez le cadre d'installation en haut (1) sur l'appareil (2).
2. Placez dessus la grille de ventilation (3), alignez-la au centre et fixez-la sur l'avant par en dessous.
3. Glissez les équerres (4) sur les cadres d'installation latéraux (5) par en haut et par en dessous.
4. À l'aide du cadre (5), vissez les équerres sur la paroi latérale*.
5. Glissez les cadres d'installation latéraux (5) vers le haut, jusqu'à ce qu'ils touchent le dessous de la grille de ventilation.
6. Fixez les cadres latéraux avec la section adhésive (7) pour les empêcher de glisser vers le bas. Retirez le film de protection et fixez les sections adhésives par-dessus les équerres du haut, côtés poignée et charnières.

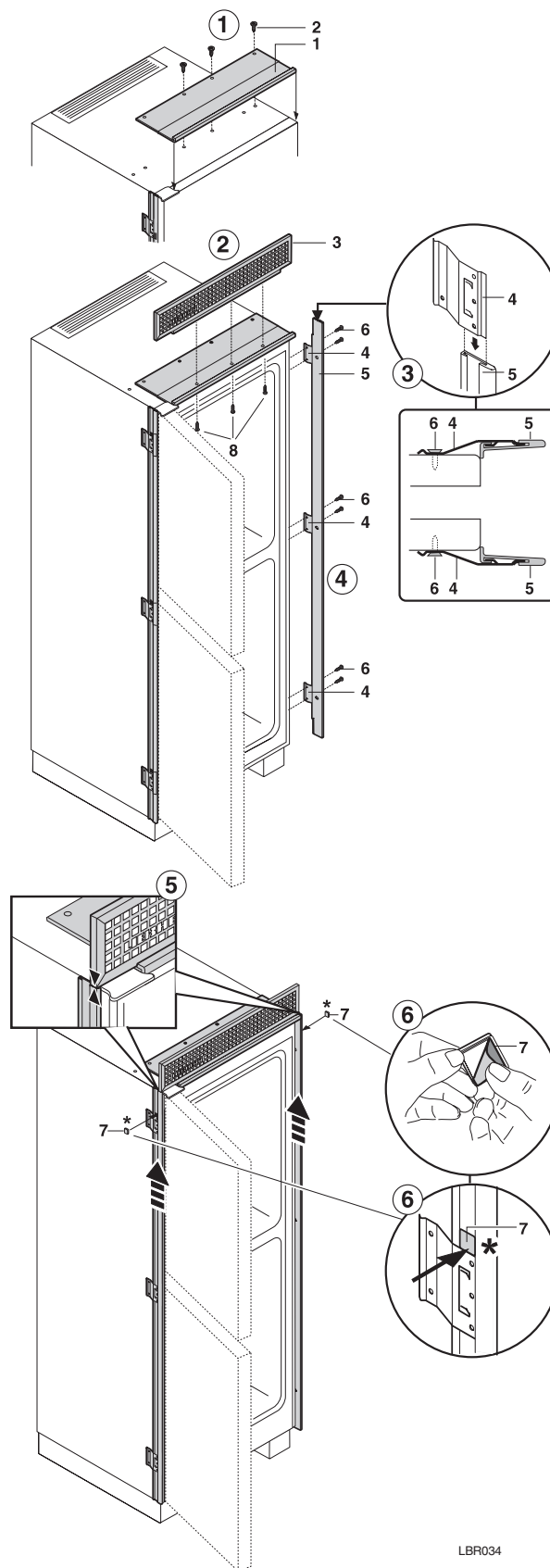
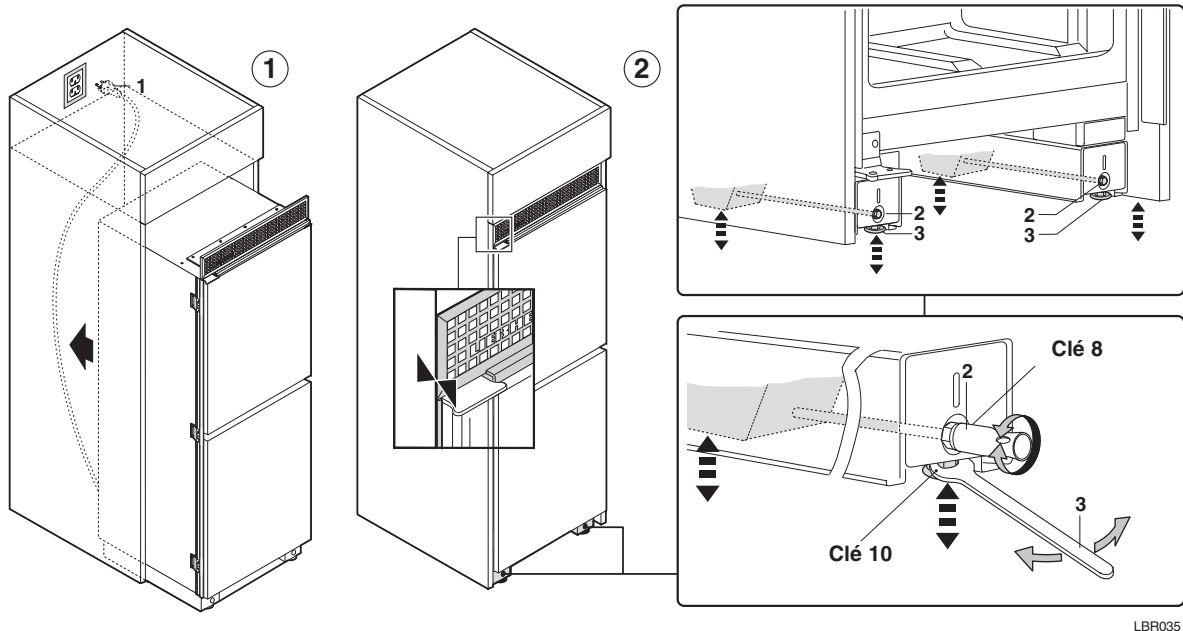


Figure 16

- **Figure 17** : Branchez l'appareil sur secteur.
- Si l'appareil est équipé d'une machine à glaçons, raccordez-le au réseau d'eau. Reportez-vous à « Raccordement de la machine à glaçons au réseau d'eau ».

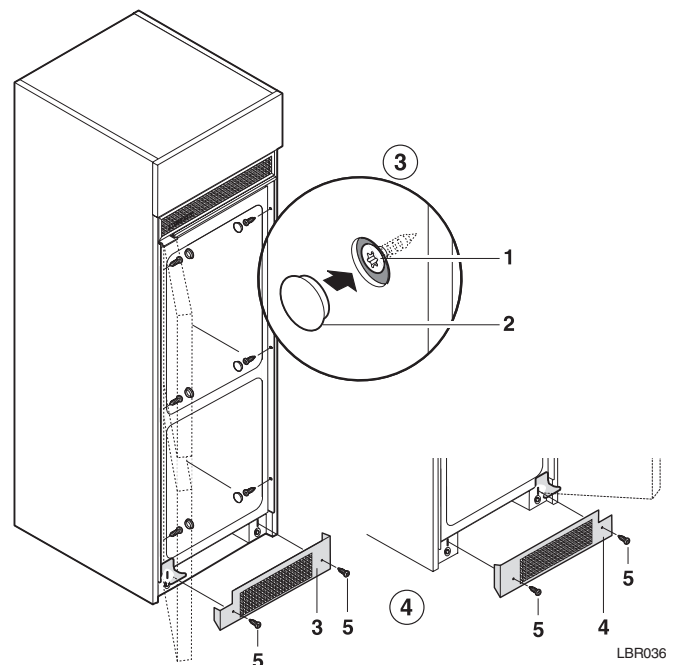
1. Glissez avec précaution l'appareil dans l'élément de cuisine jusqu'à ce que la grille de ventilation touche l'élément.
2. Alignez l'appareil jusqu'à ce qu'il soit parallèle à l'élément de cuisine dans lequel il est encastré : sur l'avant, à l'aide des roulettes de mise à niveau **(3)** – prenez une clé de 10 mm ; à l'arrière à l'aide du boulon de réglage **(2)**. Ajustement maximum : 19/32 po (15 mm).



LBR035

Figure 17

3. **Figure 18** : Alignez le côté de l'appareil sur le panneau latéral de l'élément de cuisine et fixez-le avec les vis **(1)**.
 - Couvrez les vis avec les capuchons-caches **(2)**.
4. Installez la grille de ventilation en bas **(3)** si la porte est articulée à gauche, **(4)** si elle est articulée à droite] : Fixez la grille de ventilation de manière à ce qu'elle touche le sol, puis ajustez-la à l'aide des fentes.



LBR036

Figure 18

Un délice de fraîcheur

INSTALLATION

La coupe transversale de **ventilation et les distances** suivantes doivent être observées :

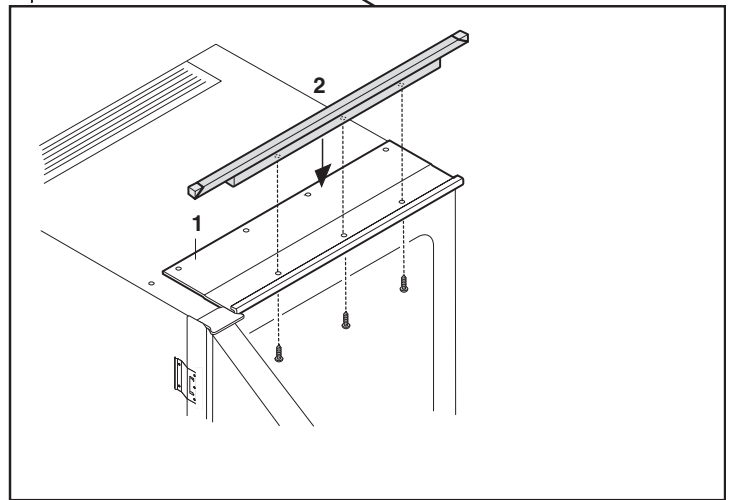
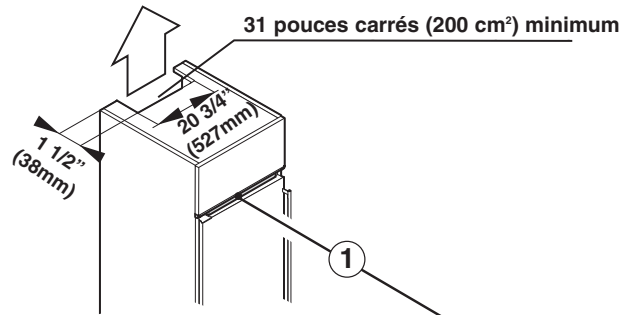
- Il doit y avoir un espace de ventilation de 31 pouces carrés (200 cm²) minimum par appareil au niveau de la plinthe de l'élément de cuisine et sous son panneau supérieur.
- La profondeur de la conduite de ventilation à l'arrière de l'élément de cuisine doit être de 1-1/2 po (38 mm) minimum.

Autre solution :

1. **Pour les appareils encastrés sans grilles de ventilation** et seulement avec un cadre d'installation, la ventilation doit se faire par la conduite de ventilation à l'arrière de l'élément de cuisine.

Appareils encastrés avec un **cadre d'installation** :

- **Figure 19** :
 - Vissez le cadre d'installation complet (2) sur l'appareil.



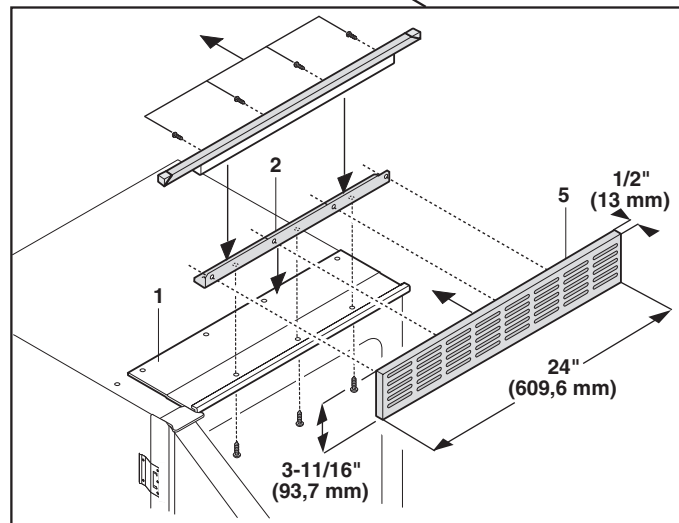
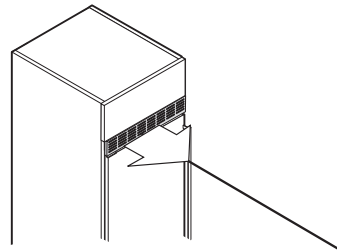
LBR037

Figure 19

2. **Appareils encastrés avec une grille de ventilation en bois** :

Figure 20 : Découpez la garniture en bois à l'aide du gabarit ci-joint pour l'utiliser comme grille de ventilation.

- La coupe transversale de ventilation requise doit être de 31 pouces carrés (200 cm²) minimum pour un appareil unique, ce qui correspond à « petit » gabarit. (Si vous installez deux appareils côte à côte, la coupe transversale doit mesurer au moins 62 pouces carrés, 400 cm², ce qui correspond à un gabarit « double taille » ; pour plus d'informations, reportez-vous à « Installation côte à côte »).
- Retirez l'équerre de fixation (2) du cadre d'installation et vissez-la sur l'appareil (1) par en dessous. Placez la grille de ventilation en bois (5) sur l'appareil, alignez-la au centre et fixez-la par l'arrière à l'aide de l'équerre de fixation (2).



LBR038

Figure 20

FIXATION DE SÉCURITÉ

Figure 21 : Fixez le réfrigérateur en place pour qu'il ne bascule pas vers l'avant lorsque la porte remplie est ouverte.

2. Mesurez la distance entre le sol et le bord supérieur de l'appareil.
3. Localisez et marquez deux poteaux muraux **(1)** pour fixer le réfrigérateur au mur. L'espace entre le haut de l'appareil et le bas des équerres de fixation ne doit pas être supérieur à 1/4 po (0,635 cm).
4. Assurez-vous que les vis **(2)** rentrent au minimum de 1 po (2,54 cm) dans chacun des poteaux muraux.
5. Assurez-vous que les équerres anti-basculement **(3)** recouvrent au minimum l'appareil de 3 po (7,62 cm) et sont bien vissées.

IMPORTANT

Les équerres anti-basculement peuvent être installées dans n'importe quelle direction ou rapprochées. Placez toujours les équerres anti-basculement le plus loin possible l'une de l'autre tout en vous assurant qu'elles sont ancrées dans deux barres de fixation murale.

6. En utilisant le socle à roulettes ajustable, levez l'appareil jusqu'à ce qu'il touche les équerres de fixation. Assurez-vous que les pieds réglables avant reposent fermement au sol pour empêcher l'appareil de basculer vers l'avant.

IMPORTANT

Si votre appareil est placé entre les poteaux muraux, vous pouvez fixer une planche au mur. Assurez-vous que la planche est fixée sur les poteaux muraux avec des vis qui pénètrent les poteaux de 1 po (2,54 cm) minimum. La planche doit mesurer au moins 1 po x 6 po (2,54 cm x 15,24 cm) et être suffisamment longue pour que ses deux extrémités soient solidement fixées aux poteaux muraux.

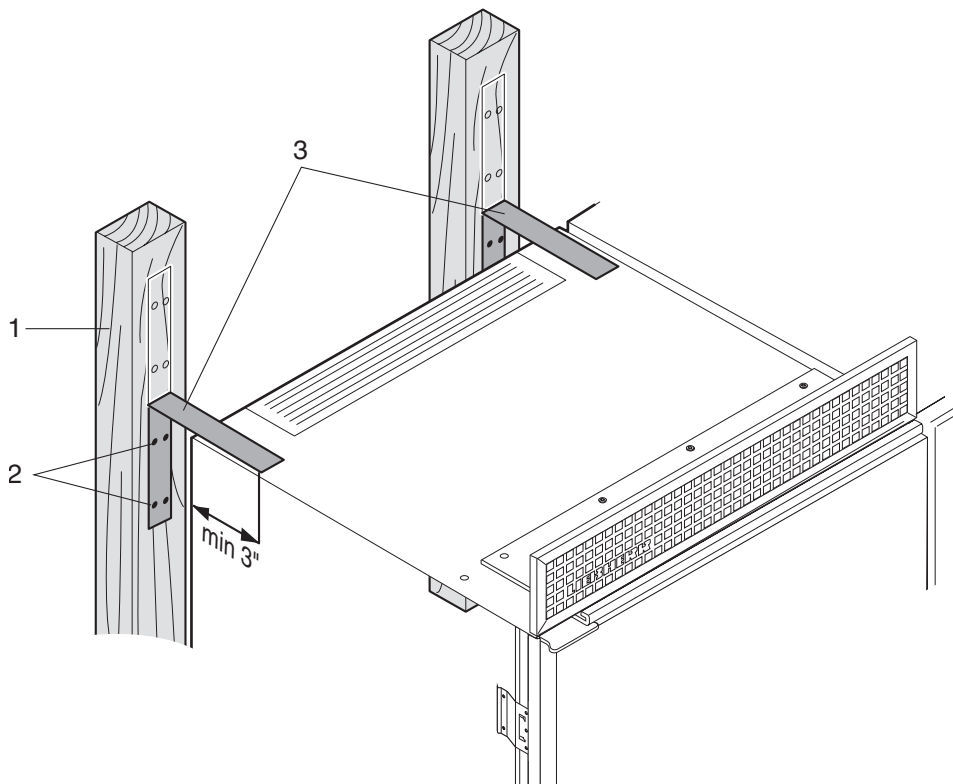


Figure 21

Raccordement à l'arrivée d'eau -

Figure 22

Avant de procéder au raccordement, veuillez respecter les trois premiers points des recommandations et consignes de sécurité.

- La pression d'eau doit se situer entre 21,8 et 87 psi (1,5 - 6 bars).
- Utilisez un tuyau de cuivre d'un diamètre extérieur de 1/4 po (6 mm) pour raccorder l'électrovanne à l'arrivée d'eau. **Ce tuyau n'est pas inclus dans la livraison (Figure 22).**
- Un robinet d'arrêt, comme le robinet auto-perforant illustré ci-dessous, permettant en cas de besoin de couper l'alimentation en eau doit être installé entre le tuyau et le raccord de réseau d'eau.

N'installez pas le robinet d'arrêt derrière le groupe frigorifique.

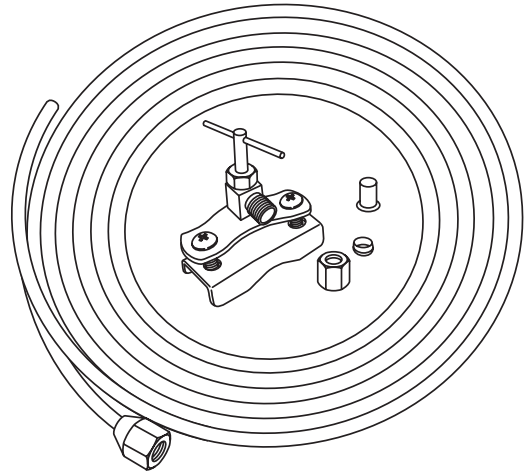


Figure 22

- Si vous avez de l'eau calcaire, nous vous recommandons d'installer un adoucisseur d'eau. Un filtre doit également être installé si l'eau contient des solides comme du sable par exemple.
- Tous les équipements et dispositifs utilisés pour alimenter l'appareil en eau doivent être conformes aux règlements en cours dans votre région.

MACHINE À GLAÇONS

Raccordement au réseau d'eau -

Figures 23, 24

1. Installez le robinet d'arrêt, le filtre à eau et le dispositif d'arrêt automatique comme indiqué.

Remarque

L'électrovanne est située à l'arrière de votre appareil.

2. Le tuyau de cuivre de 1/4 po (6 mm) entre le robinet d'arrêt et l'électrovanne est muni d'un connecteur mâle de 3/4 po (18 mm) (Figure 24). Assurez-vous qu'il y a environ 27 po (70 cm) de longueur de tube derrière l'appareil pour assurer un raccordement facile.

Remarque

Un adaptateur 3/4 po/1/4 po (18 mm/6 mm) et une pince à câble sont fournis avec la machine à glaçons.

Retirez le capuchon de protection (4) de l'électrovanne (1). Installez le raccord (2) avec l'anneau d'étanchéité (6) sur l'électrovanne (1). Attachez le tuyau en cuivre au raccord (2). Fixez le tuyau en cuivre (3) à l'appareil à l'aide de la pince à câble (5).

3. Ouvrez le robinet de l'arrivée d'eau et assurez-vous qu'il n'y a aucune fuite dans le circuit. Avant d'utiliser l'appareil pour la première fois, un plombier agréé doit purger l'air du système.
4. Enfichez la fiche secteur du combiné réfrigérateur-congélateur dans la prise électrique (Figure 23).
5. Déplacez le combiné réfrigérateur-congélateur à l'emplacement prévu.

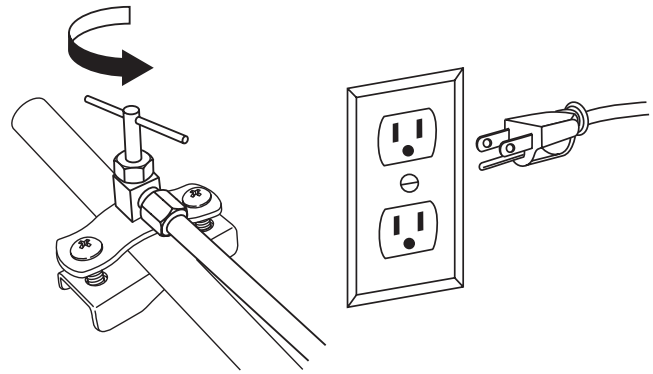


Figure 23

INSTALLATION CÔTE À CÔTE

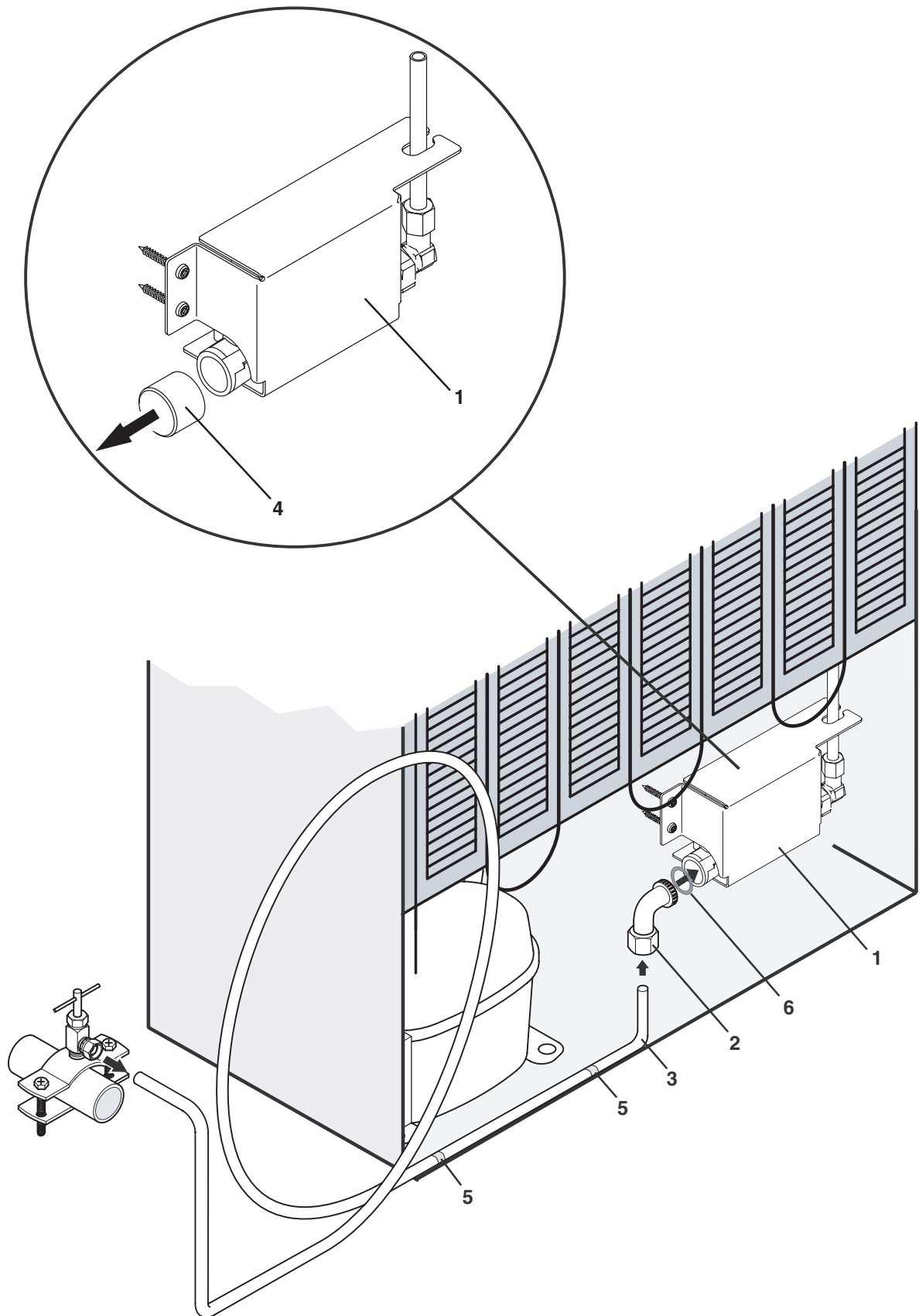


Figure 24

Un délice de fraîcheur

INSTALLATION CÔTE À CÔTE

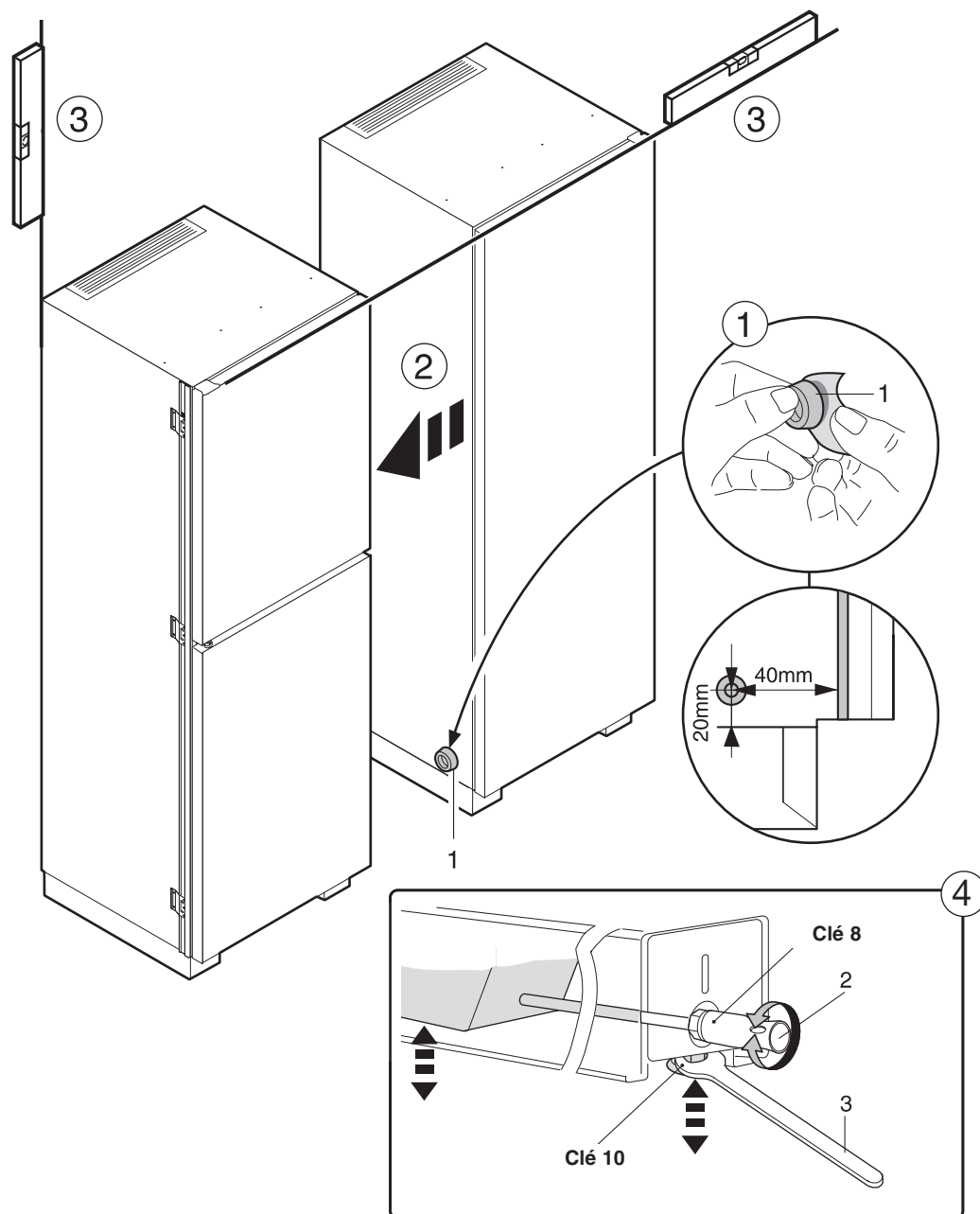
Figure 25 : Pour installer les appareils BFI 1051 côte à côte, procédez comme suit :

- Placez toujours le BF/BFI 1051 avec les charnières à gauche (Vu de face).

Installation avec le jeu de grilles de ventilation :

1. Fixez l'entretoise (1) sur la paroi latérale de l'appareil - retirez le film de protection.

2. Poussez les appareils l'un contre l'autre, - alignez-les *parallèlement* l'un à l'autre.
3. Utilisez un niveau en haut pour les aligner à *la même hauteur* :
4. Utilisez le socle à roulettes ajustable (2, 3) et le boulon de réglage (2) à l'arrière.



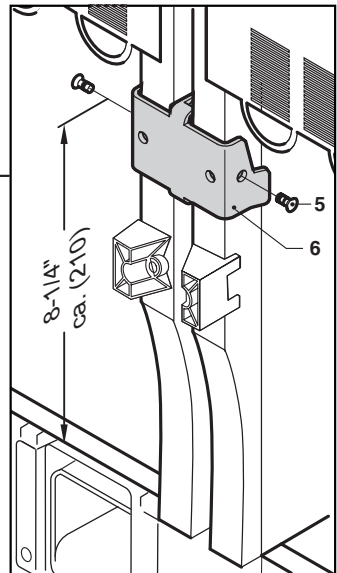
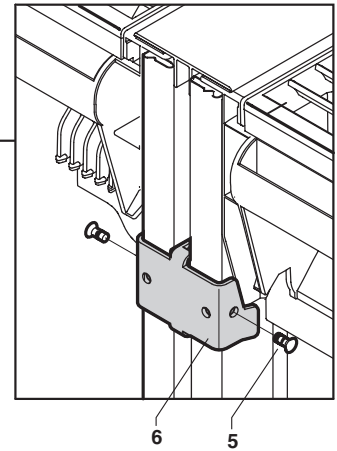
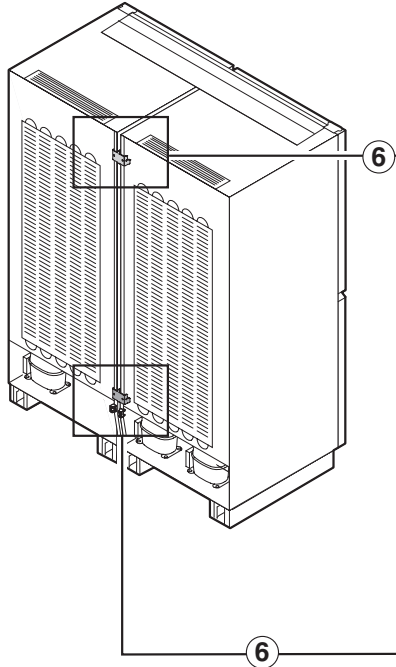
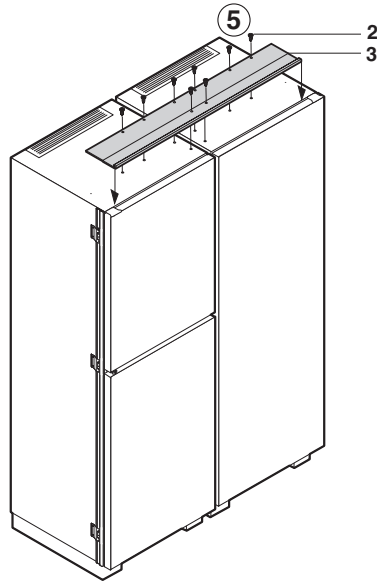
LBR039

Figure 25

INSTALLATION CÔTE À CÔTE

5. Fixez le cadre d'installation (3) en haut des appareils (2). Alignez l'appareil sur l'avant, en bas.

6. **Figure 26** : Positionnez les équerres de fixation (6) à l'arrière des appareils, en haut et en bas. Glissez l'équerre de fixation supérieure le plus haut possible. Fixez-la sur le côté à l'aide des vis fournies (5).



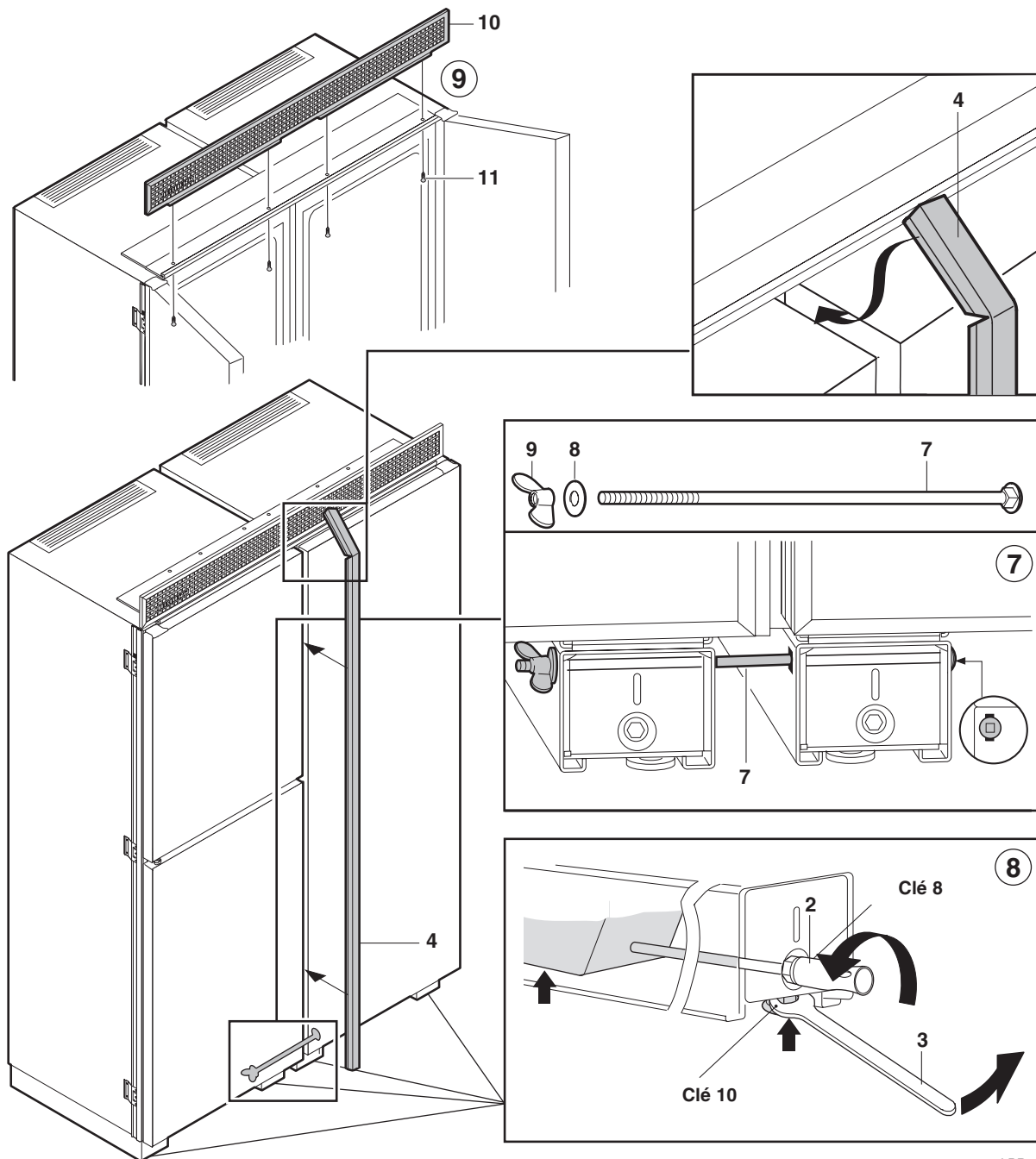
LBR040

Figure 26

Un délice de fraîcheur

INSTALLATION CÔTE À CÔTE

7. **Figure 27** : Poussez le long boulon ordinaire M5x260 (7) à travers les roues de mise à niveau, comme illustré. Installez une rondelle (8). Vissez l'écrou à oreilles (9) et serrez à la main. Ne serrez pas trop.
8. Vissez toutes les roues de mise à niveau. Sinon, vous endommagerez le sol lorsque vous pousserez les appareils en place.
9. Fixez la grille de ventilation (10) sur l'appareil (11). Poussez la bande de calfeutrage (4) comme illustré.



LBR041

Figure 27

Un délice de fraîcheur

LIEBHERR

INSTALLATION CÔTE À CÔTE

10. **Figures 28, 29** : Glissez les cadres d'installation latéraux (15) vers le haut, jusqu'à ce qu'ils touchent le dessous de la grille de ventilation, **Figure 28**.
11. Fixez les cadres latéraux avec la section adhésive (17) pour les empêcher de glisser vers le bas. Retirez le film de protection et placez les sections adhésives par-dessus les équerres supérieures, côtés poignée et charnières.
12. Installez les équerres anti-basculement pour chaque appareil. Consultez la section « Fixation de sécurité ».

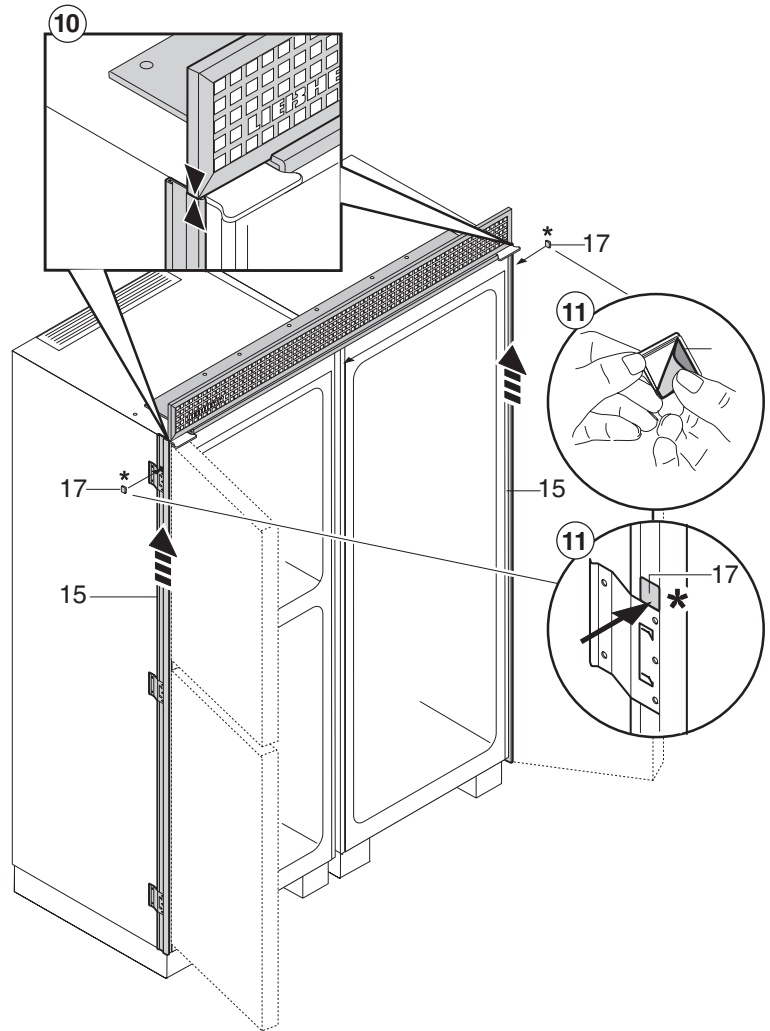


Figure 28

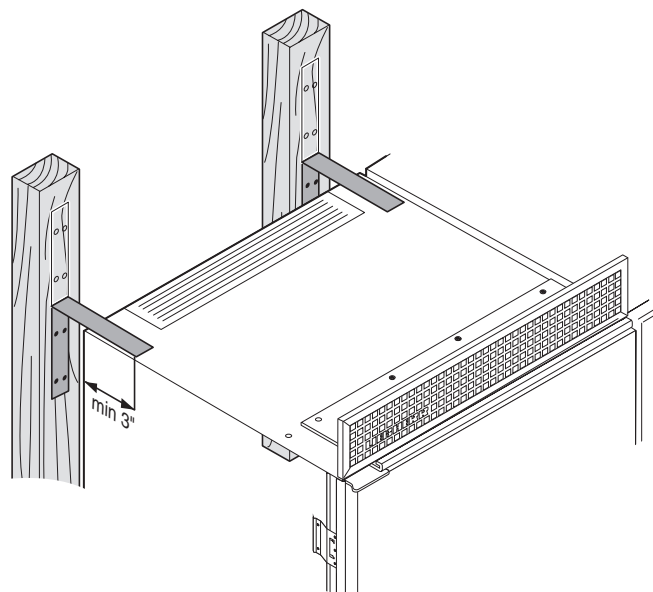


Figure 30

Un délice de fraîcheur

INSTALLATION CÔTE À CÔTE

13. Figures 30, 31 : Branchez les appareils :

- sur secteur et
- raccordez-les à l'arrivée d'eau si l'appareil est équipé d'une machine à glaçons. Reportez-vous à « Raccordement de la machine à glaçons au réseau d'eau », **Figure 30**.

14. Glissez avec précaution les appareils branchés dans l'emplacement qui leur est réservé jusqu'à ce que la grille de ventilation touche le haut, **Figure 31**.

15. Alignez les appareils en utilisant uniquement les roues de mise à niveau **extérieures** avant (3) et arrière (2).

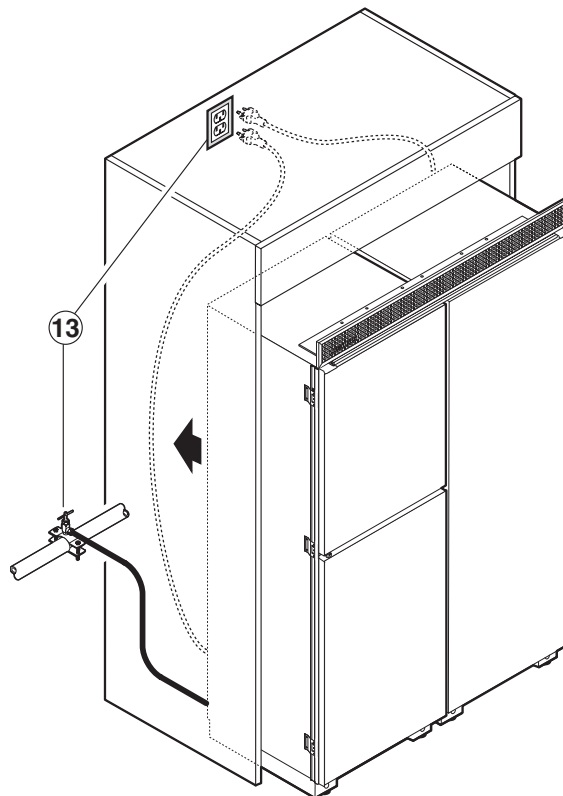


Figure 30

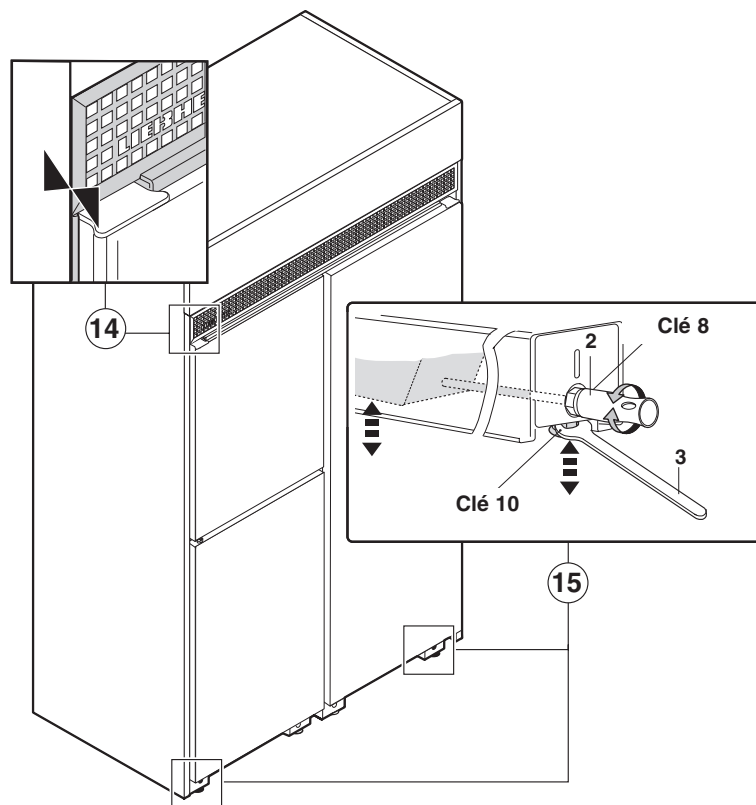
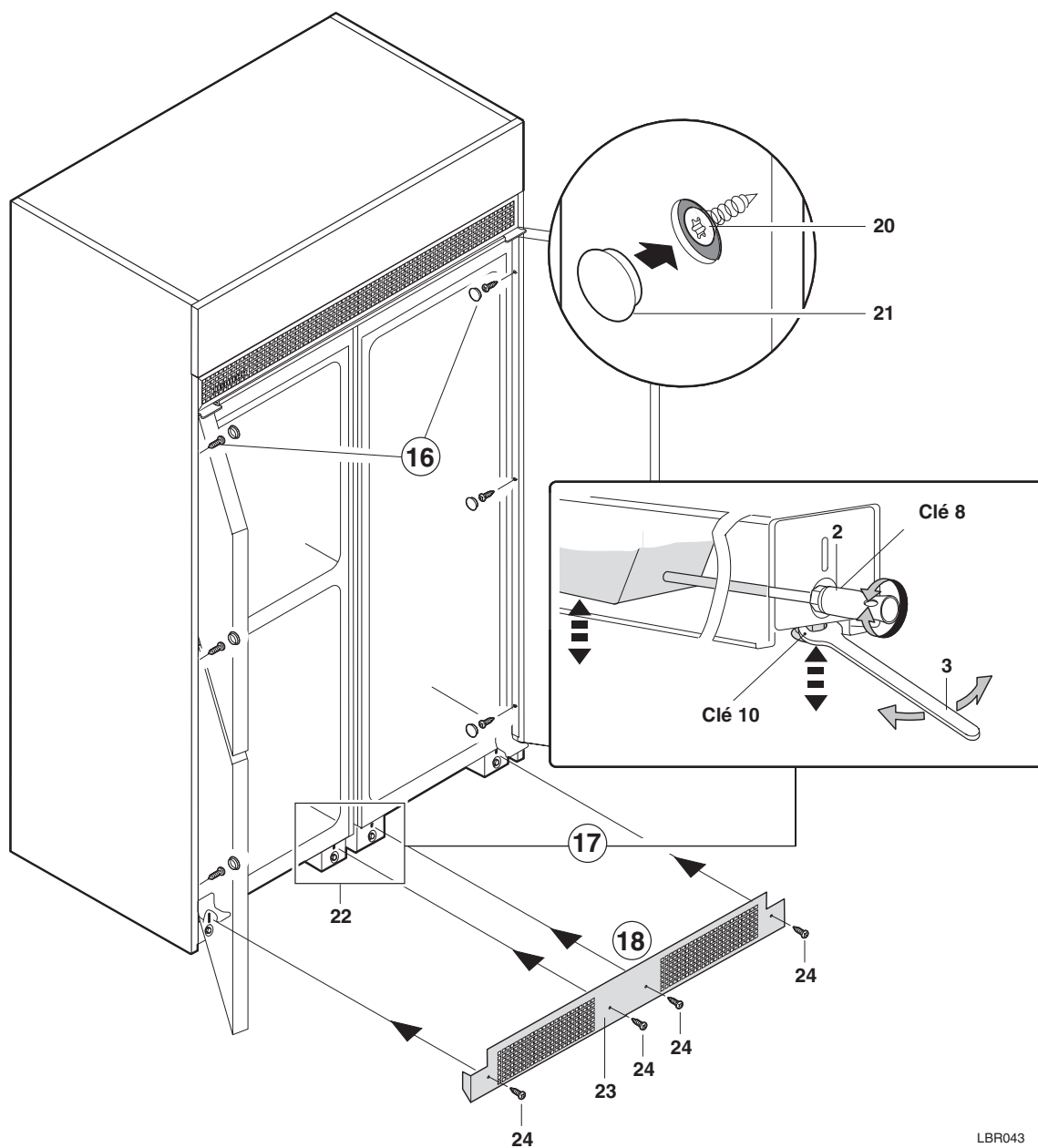


Figure 31

LBR042

INSTALLATION CÔTE À CÔTE

16. **Figure 32** : Attachez l'ensemble *aligné* sur l'élément de cuisine dans lequel il est encastré. Fixez-le à travers les cadres latéraux à l'aide des vis fournies (20).
 - Couvrez les vis avec les capuchons-caches (21).
17. Maintenant, ajustez les socles à roulettes ajustables centraux (22) de sorte qu'ils **touchent légèrement le sol**.
18. Installez la grille de ventilation du bas (23) : Fixez la grille de ventilation de manière à ce qu'elle touche le sol, puis ajustez-la à l'aide des fentes.



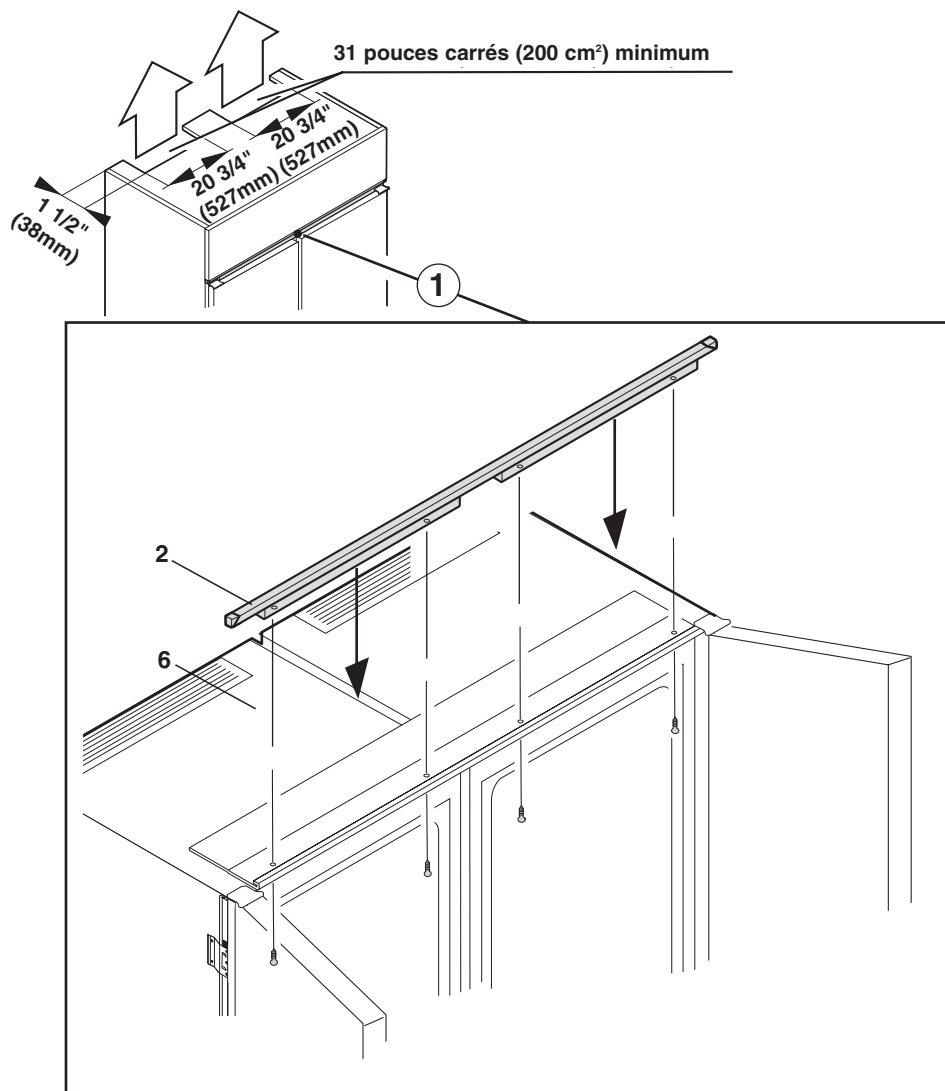
LBR043

Figure 32

Un délice de fraîcheur

INSTALLATION CÔTE À CÔTE

1. Pour les appareils encastrés sans grilles de ventilation et seulement avec un cadre d'installation (2), la ventilation doit se faire par la conduite de ventilation à l'arrière de l'élément de cuisine. Assurez-vous que la coupe transversale de ventilation est de 31 pouces carrés (200 cm²) minimum *par appareil*. Pour deux appareils côte à côte, comptez au moins 62 pouces carrés (400 cm²). Appareils encastrés avec un cadre d'installation :
 - **Figure 33** : Vissez le cadre d'installation (2) sur l'appareil à travers les équerres de fixation.



LBR033

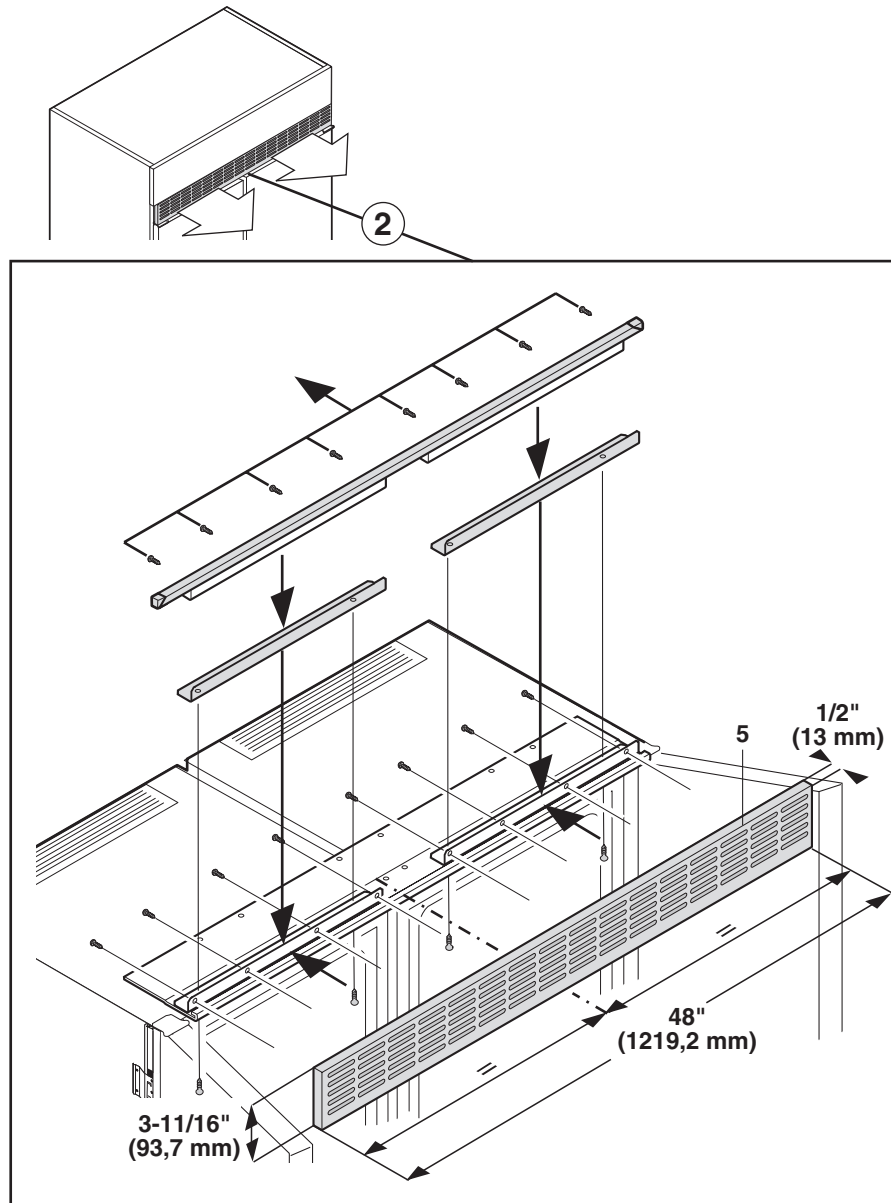
Figure 33

INSTALLATION CÔTE À CÔTE

Appareils encastrés avec une grille de ventilation en bois :

2. **Figure 34** : Découpez la garniture en bois à l'aide du gabarit ci-joint pour l'utiliser comme grille de ventilation.
- La coupe transversale de ventilation requise doit être de 62 pouces carrés (400 cm²) minimum pour l'installation côte à côte de deux appareils, ce qui correspond au gabarit « double taille » ci-joint.

- Retirez les équerres de fixation du cadre d'installation (2) et vissez-les sur l'appareil par dessous.
- Placez la grille de ventilation en bois (5) sur l'appareil, alignez-la au centre et fixez-la par l'arrière à l'aide des équerres de fixation.



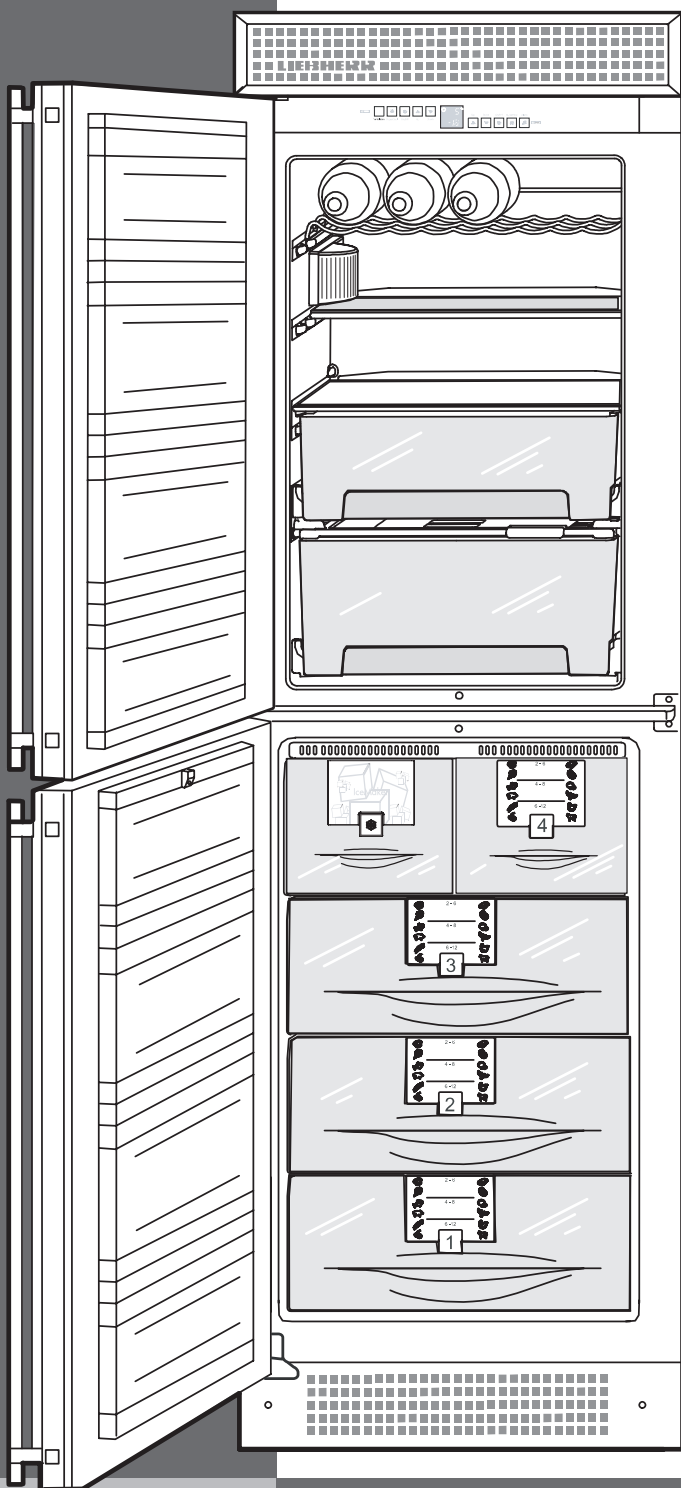
LBR044

Figure 34

Un délice de fraîcheur

REMARQUES

LIEBHERR



Instrucciones de instalación

Para frigoríficos-congeladores combinados BioFresh, NoFrost y unidades lado a lado

BF/BF1051 / BGEN/es 2956
7082 248-00

IMPORTANTE

POR FAVOR LEA Y SIGA ESTAS INSTRUCCIONES

Estas instrucciones contienen indicaciones de advertencia y precaución. Esta información es importante para una instalación segura y eficiente.

¡Siempre debe leer y seguir todas las indicaciones de advertencia y precaución!



AVERTISSEMENT

Indica un riesgo que puede provocar lesiones graves o la muerte si no se tienen en cuenta las prescripciones de seguridad.



PRECAUCIÓN

Señala una situación en la cual pueden producirse lesiones menores o daños en el producto si no se siguen las instrucciones.

IMPORTANTE

Aquí se destaca la información que es especialmente relevante para una instalación sin problemas.

Asegúrese de que el voltaje entrante sea el mismo que el valor nominal del aparato.

Para reducir el riesgo de incendio, descarga eléctrica, o lesiones personales, la tarea de instalación y el cableado eléctrico debe llevarlo a cabo un electricista competente de acuerdo con todos los códigos y estándares aplicables, incluyendo la construcción con protección contra incendios.

AL INSTALADOR

Es muy importante que se cumplan las normas e instrucciones del manual para asegurar la instalación y el funcionamiento correctos del aparato. La sección de Normas para la instalación contiene información importante para asegurar que la instalación se efectúe correctamente. Lea atentamente toda la información de estas normas y del manual, antes de instalar el aparato.

CONTENIDO

Contenido	Página
Normas para la instalación	75
Requisitos de superficie	75
Requisitos eléctricos	75
Responsabilidad del cliente	75
Sujeción de seguridad.....	75
Aireación del aparato	75
Información de planificación	76
Empotramiento en el armario de cocina	76
Ensamblaje de paneles decorativos	79
Integración del aparato en una fila de muebles de cocina	80
Paneles enmarcados.....	80
Paneles decorativos superpuestos	81
Inversión de las bisagras de puertas.....	86
Ángulo de apertura de puerta.....	89
Instalación	91
Sujeción de seguridad	94
Preparador de cubitos de hielo.....	95
Conexión de agua	95
Conexión al suministro de agua	96
Instalación lado a lado	97

NORMAS PARA LA INSTALACIÓN

Requisitos de superficie

Verifique los puntos siguientes:

- El piso puede soportar el peso del aparato más un peso aproximado de los alimentos de 1200 libras (544 kg).
- La altura del acabado del piso de la cocina está nivelada. El aparato debe calzarse si el nivel del suelo no es homogéneo para asegurar que no haya obstrucción de las rejillas de aireación.
- Retire cualquier cosa que esté acoplada a las paredes laterales o traseras y que pueda obstruir la apertura del aparato.
- Las dimensiones del hueco de empotramiento son precisas.
- El tomacorriente está en el lugar correcto.

No se debe colocar el aparato lado a lado con otros frigoríficos o congeladores. Esto es importante para evitar la formación de agua condensada y los resultantes daños secundarios.

Requisitos eléctricos

Si los códigos requieren la utilización de un circuito de puesta a tierra aparte, haga que un técnico competente instale el circuito.

AVERTISSEMENT

No realice una conexión a tierra con una tubería de gas. Haga que un electricista competente lleve a cabo una comprobación si no está seguro de que el aparato esté correctamente puesto a tierra. No debe tener un fusible en el circuito neutro o de puesta a tierra.

AVERTISSEMENT

RIESGO DE DESCARGA ELÉCTRICA

- Conecte a tierra el aparato.
- No utilice un cable de extensión.
- No seguir esas instrucciones puede originar un incendio o una descarga eléctrica.



AVERTISSEMENT

RIESGO DE ELECTROCUCIÓN

Se necesita conexión a tierra. Este aparato está equipado con un enchufe polarizado de tres bornes (con puesta a tierra) para su protección contra posibles riesgos de electrocución.

- **NO retire el borne redondo de puesta a tierra del enchufe.**
- **NO use un adaptador de dos bornes de puesta a tierra.**
- **NO use un cable de extensión para conectar la electricidad a la unidad.**

Responsabilidad del cliente

Se necesita una fuente de alimentación de 115 Voltios, 60 Hz, 15 Amperios (20 Amperios para instalación lado a lado) con fusible. Recomendamos usar un circuito dedicado para este aparato con el fin de prevenir la sobrecarga eléctrica. Siga el Código Nacional de Electricidad y los códigos y ordenanzas locales al instalar el receptáculo.

Sujeción de seguridad

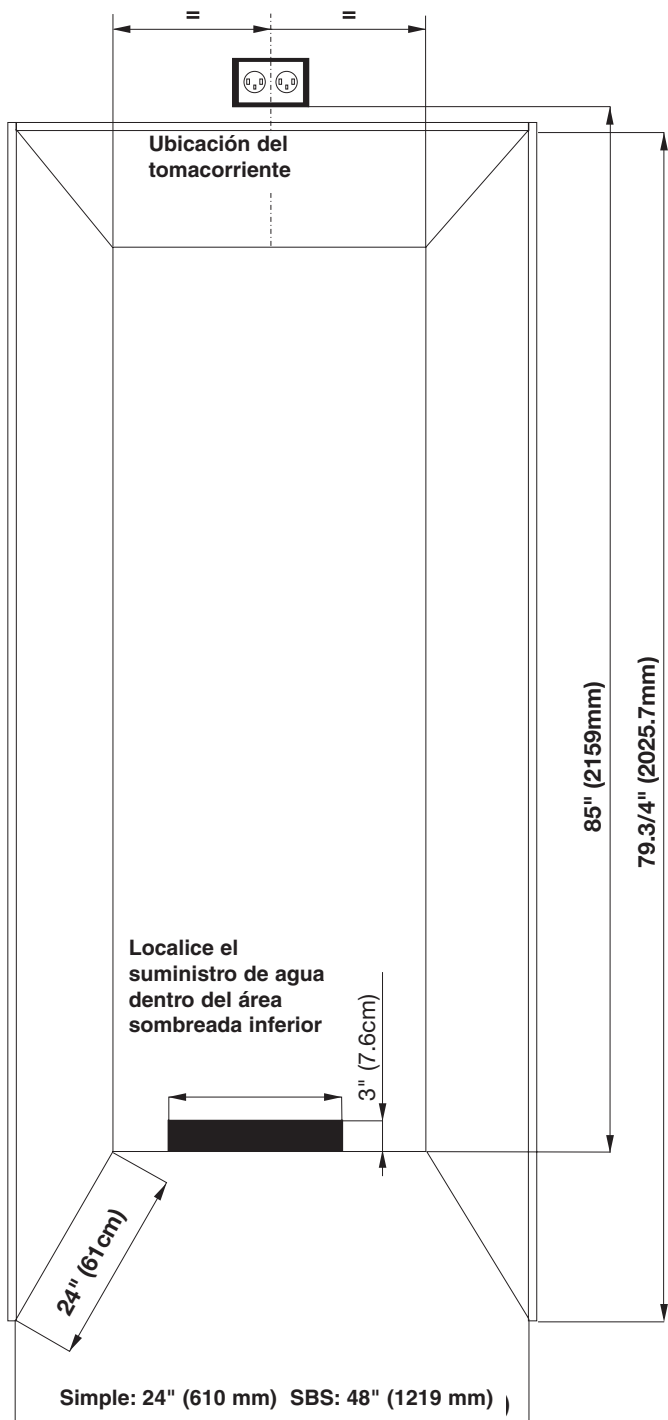
Deben instalarse las escuadras anti-inclinación para evitar que el aparato se incline después de la instalación. Remítase a Sujeción de seguridad.

Aireación del aparato

NO limite la corriente de aire. Debe proporcionarse corriente de aire para que funcione el aparato. Las rejillas de aireación montadas en la fábrica proporcionan 31 pulgadas cuadradas (200 cm²) de corriente de aire por unidad. Si se sustituyen estas rejillas por una rejilla decorativa, la corriente de aire debe ser igual o mayor que la producida por las rejillas de aireación montadas en la fábrica.

INFORMACIÓN DE PLANIFICACIÓN

Empotramiento en el armario de cocina - Figura 1



Permita que los aparatos tengan una apertura mínima de 90° para evitar que se produzcan problemas al extraer los cajones. Con una apertura de la puerta de 90°, puede ser que tenga que mover los cajones ligeramente para evitar que se bloqueen en el interior de la puerta.

Consulte los espacios mínimos de puerta en el diagrama de especificaciones previas a la instalación.

- Deje una holgura mínima cubierta de 3-3/4" (95 mm) para las instalaciones de esquina, de forma que la puerta pueda abrirse 90°. Si utilizaran paneles en relieve, hay que prever una holgura más ancha.

IMPORTANTE

Remítase a las ilustraciones a escala completas que se encuentran al final de esta sección para ver los detalles específicos de la apertura de puertas y las alternativas de las dimensiones de perfiles.

Figura 1

INFORMACIÓN DE PLANIFICACIÓN

Lado a lado BFI 1051 - Figura 3

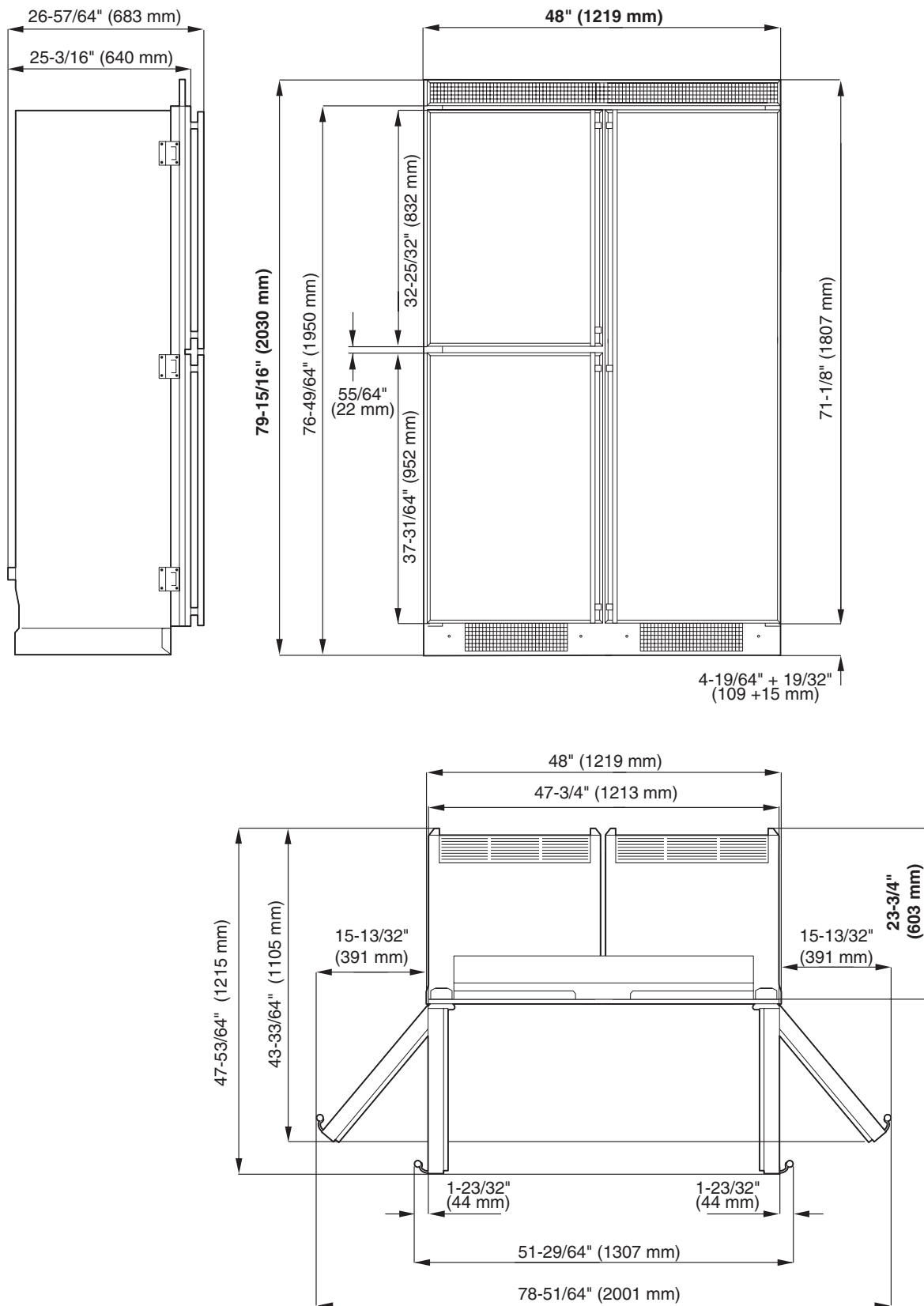


Figura 3

Un deleite de frescura

ENSAMBLAJE DE PANELES DECORATIVOS

Figura 4

Proceda como se indica en la ilustración:

- (1) Marcos para cambio de puerta
- (2) Panel decorativo
- (3) Tornillos de marcos para cambio de puerta
- (4) Tirador, dependiendo del modelo
- (5) Tornillos M4 x 10 para el tirador
- (6) Tira de relleno

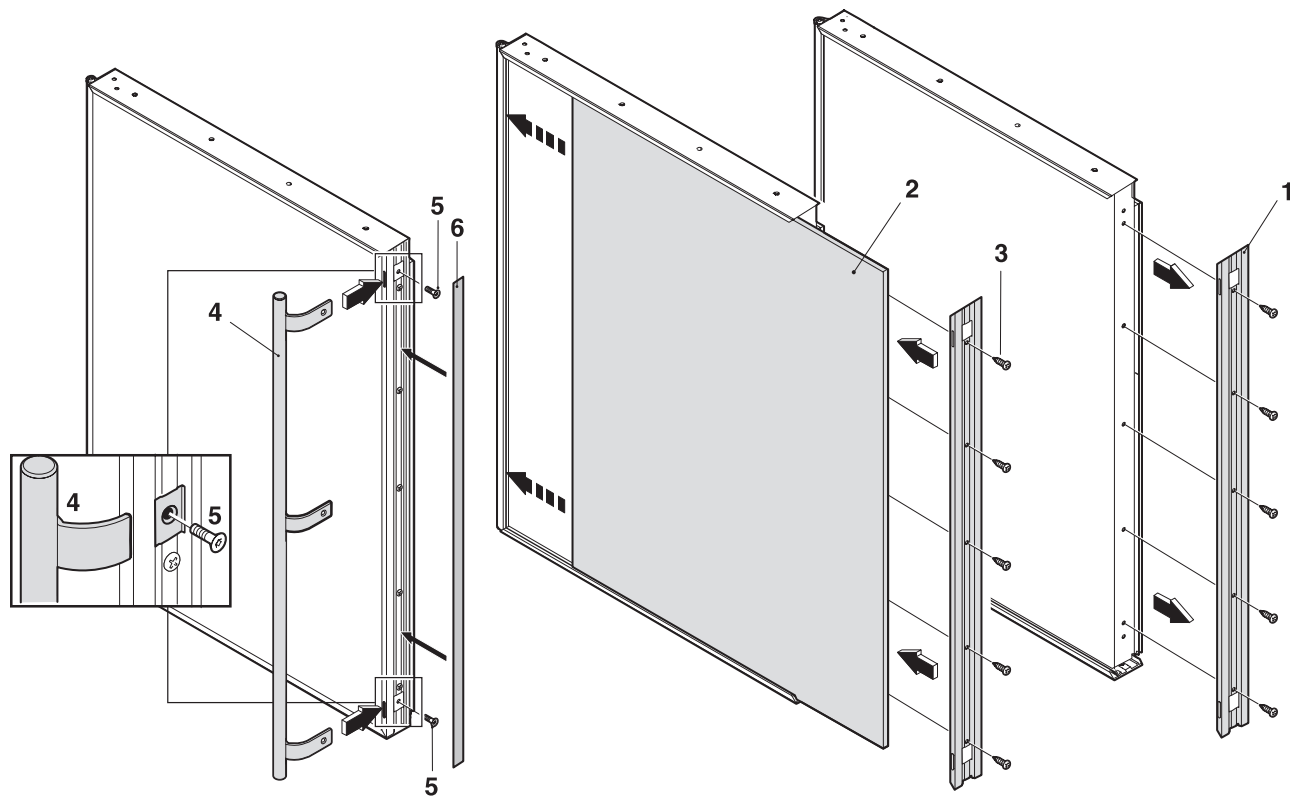


Figura 4

Un deleite de frescura

INTEGRACIÓN DEL APARATO EN UNA FILA DE MUEBLES DE COCINA

Paneles enmarcados - Figura 5

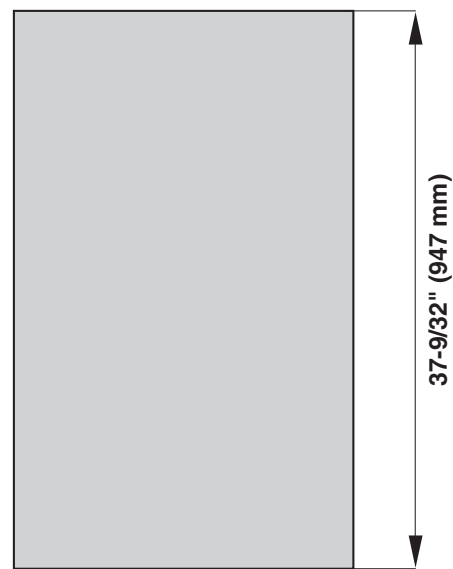
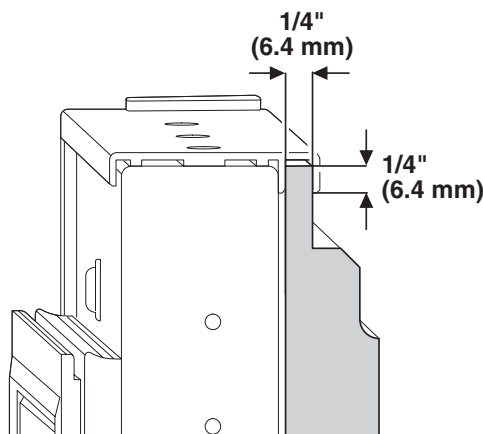
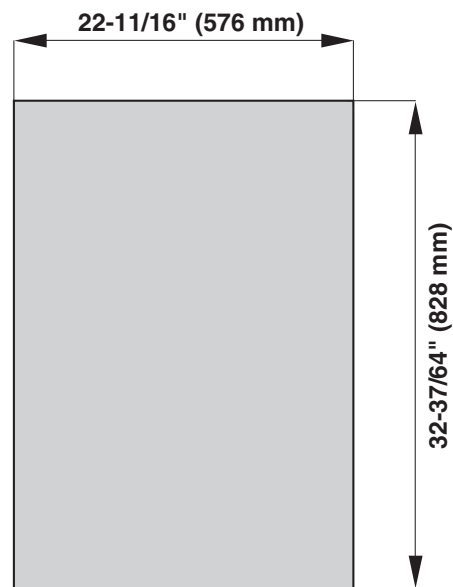
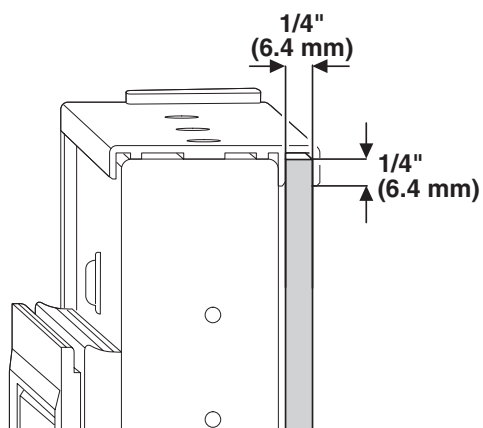
Si el espesor de los paneles personalizados es menor que 1/4" (0.635 cm), deben respaldarse con una lámina de material de cuña para lograr un espesor de 1/4" (0.635 cm). Si el panel es más grueso que 1/4" (0.635 cm), debe guiarse un borde alrededor del panel para asegurar un ajuste correcto.

IMPORTANTE

Si se sustituyen las rejillas de aireación montadas en la fábrica por una rejilla decorativa, NO limite la corriente de aire. La corriente de aire debe ser igual o mayor que la producida por las rejillas de aireación de 31 pulgadas cuadradas (200 cm²) montadas en la fábrica.

Deben instalarse los tiradores de las puertas antes de instalar las tapas de los tornillos. En el caso de no instalar los tiradores antes que las tapas de los tornillos, pueden estropearse las tapas. Las tapas de tornillos están pegadas con cinta a la puerta del aparato para el transporte. Tenga cuidado al quitarlas.

El peso del panel de la puerta no debe ser superior a 25 libras (11.3 kg).



LBR023

Figura 5
Un deleite de frescura

Paneles decorativos superpuestos - Figura 6

La línea de diseño superpuesto permite que los paneles decorativos cubran el contramarco de la puerta para conseguir un aspecto más compacto que combine mejor con el diseño de la cocina. Para conseguir este aspecto, la forma más habitual es trabajar con tres paneles, el panel decorativo superior, un panel separador de 0.10" (0.25 cm) y un panel inferior de 1/4" (0.635 cm).

Según el fabricante de sus muebles de cocina, podría tratarse de un panel rebajado para distintas dimensiones o, lo más probable, tres paneles distintos.

IMPORTANTE

Si se sustituyen las rejillas de aireación montadas en la fábrica por una rejilla decorativa, NO limite la corriente de aire. La corriente de aire debe ser igual o mayor que la producida por las rejillas de aireación de 31 pulgadas cuadradas (200 cm²) montadas en la fábrica.

Deben instalarse los tiradores de las puertas antes de instalar las tapas de los tornillos. En el caso de no instalar los tiradores antes que las tapas de los tornillos, pueden estropearse las tapas. Las tapas de tornillos están pegadas con cinta a la puerta del aparato para el transporte. Tenga cuidado al quitarlas.

El peso del panel de la puerta no debe ser superior a 25 libras (11.3 kg).

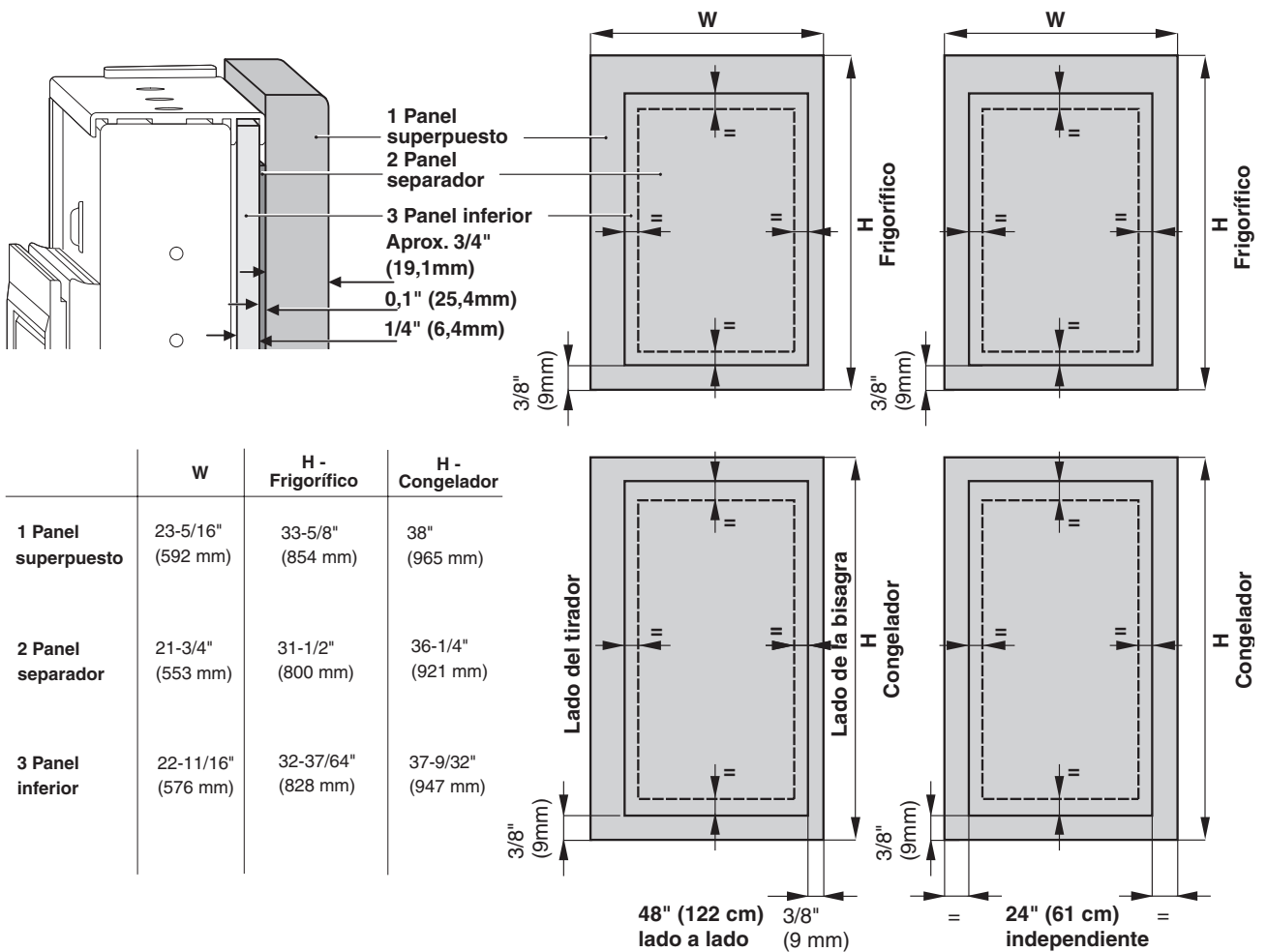


Figura 6

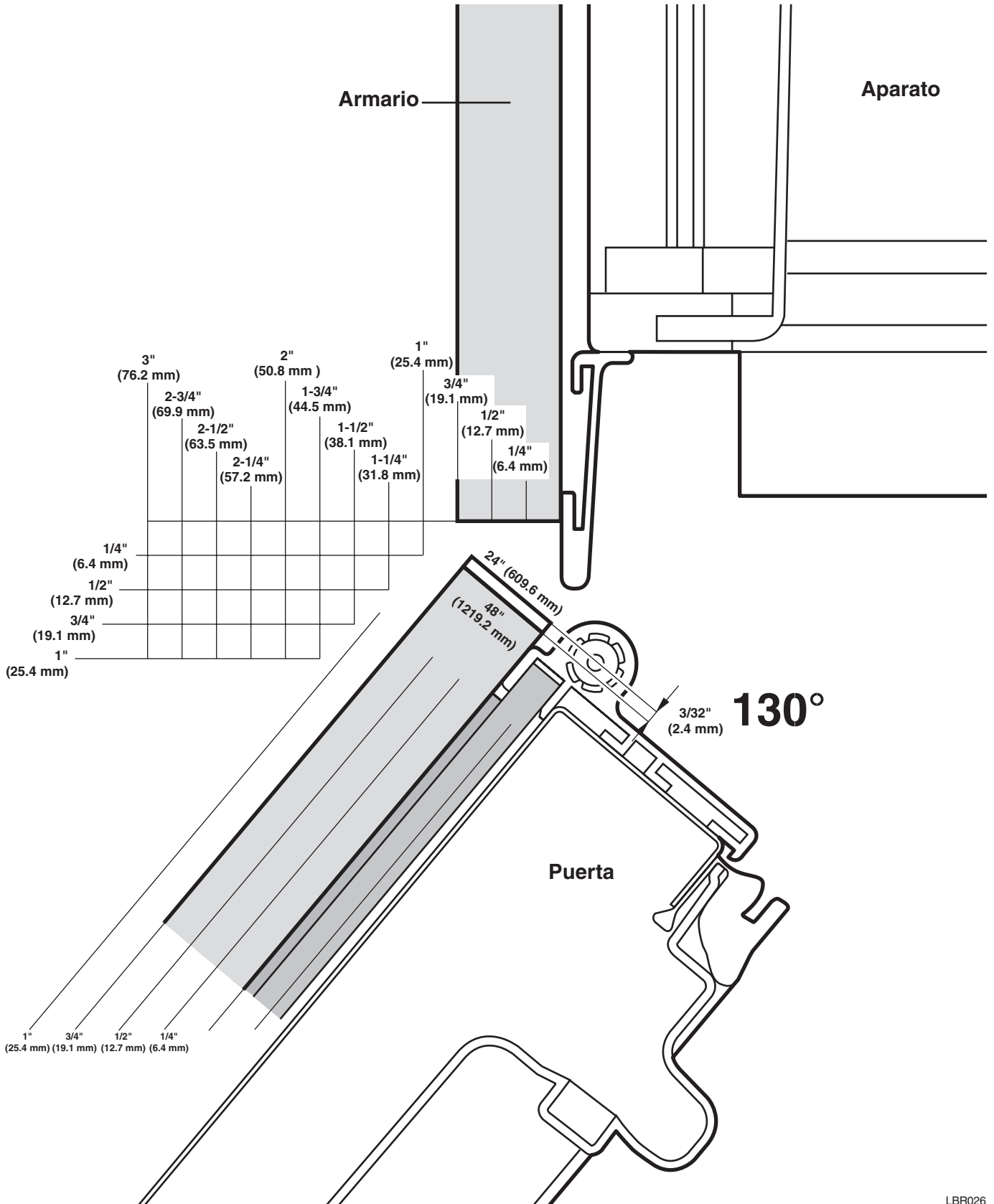
Un deleite de frescura

INTEGRACIÓN DEL APARATO EN UNA FILA DE MUEBLES DE COCINA

Figura 7

El ajuste de fábrica para la apertura de la puerta es de 130°. Utilice esta ilustración para asegurar que ni armarios ni mostradores obstaculicen la apertura de la puerta. Armarios sin bastidor: El panel decorativo sobrepasa los armarios por el lado y por la parte superior. Puede que los armarios necesiten listones distanciadores para evitar la interferencia con la apertura de la puerta. La apertura de la puerta debe posibilitar la instalación de estos listones distanciadores.

INTEGRACIÓN DEL APARATO EN UNA FILA DE MUEBLES DE COCINA



LBR026

Figura 7
(Escala 1:1)
Un deleite de frescura

INTEGRACIÓN DEL APARATO EN UNA FILA DE MUEBLES DE COCINA

Figura 8

El ajuste opcional para la apertura de la puerta es de 90°. Utilice esta ilustración para asegurar que ni armarios ni mostradores obstaculicen la apertura de la puerta. Armarios sin bastidor: El panel decorativo sobrepasa los armarios por el lado y por la parte superior. Puede que los armarios necesiten listones distanciadores para evitar la interferencia con la apertura de la puerta. La apertura de la puerta debe posibilitar la instalación de estos listones distanciadores.

INVERSIÓN DE LAS BISAGRAS DE PUERTAS

Las bisagras de las puertas pueden cambiarse de un lado al otro si es necesario.

1. **Figura 10:** Arriba: Destornille el pasador de la bisagra (2) y quite el tornillo (5) con el excéntrico.
2. Abra la puerta de arriba, asegurando que no se pierda el tope (7) y el buje (8); levante la puerta y póngala en el piso.
3. Centro: Extraiga el pasador de la bisagra (9) con la arandela.
4. Abra la puerta inferior, levántela y póngala en el piso. Tenga cuidado de no perder el tope (7) ni las arandelas (8).
5. Destornille todos los accesorios de la puerta (14, 15, 16, 17).
6. **Figura 11:** Destornille todos los marcos para cambiar puertas e intercámbielos entre sí (6 por 8, 4 por 7 y el tirador - retire la cubierta 1). Asegúrelos en su sitio usando los mismos tornillos.
7. Revise que los marcos para cambio de puerta estén puestos y encuadrados correctamente.

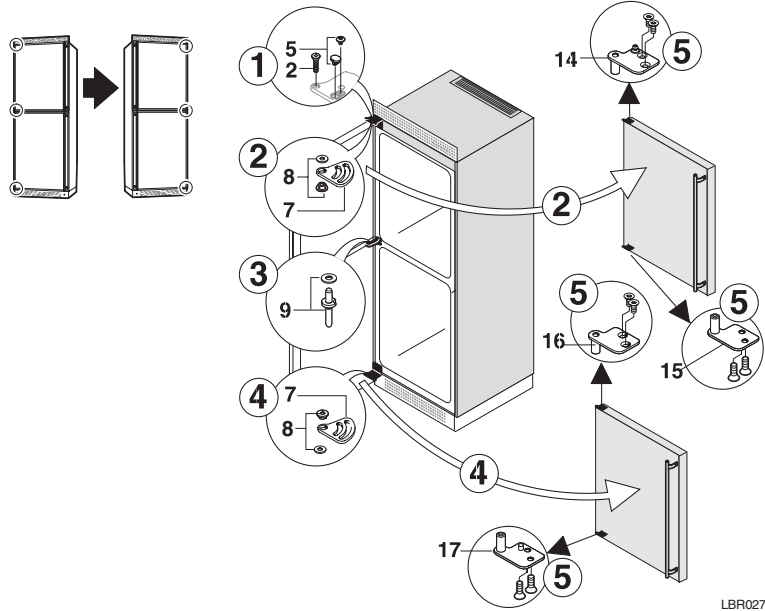


Figura 10

⚠ AVERTISSEMENT

Revise que las esquinas de los marcos para cambiar puertas estén colocadas correctamente. Los bordes afilados quedarán expuestos si no se encuadran o colocan correctamente.

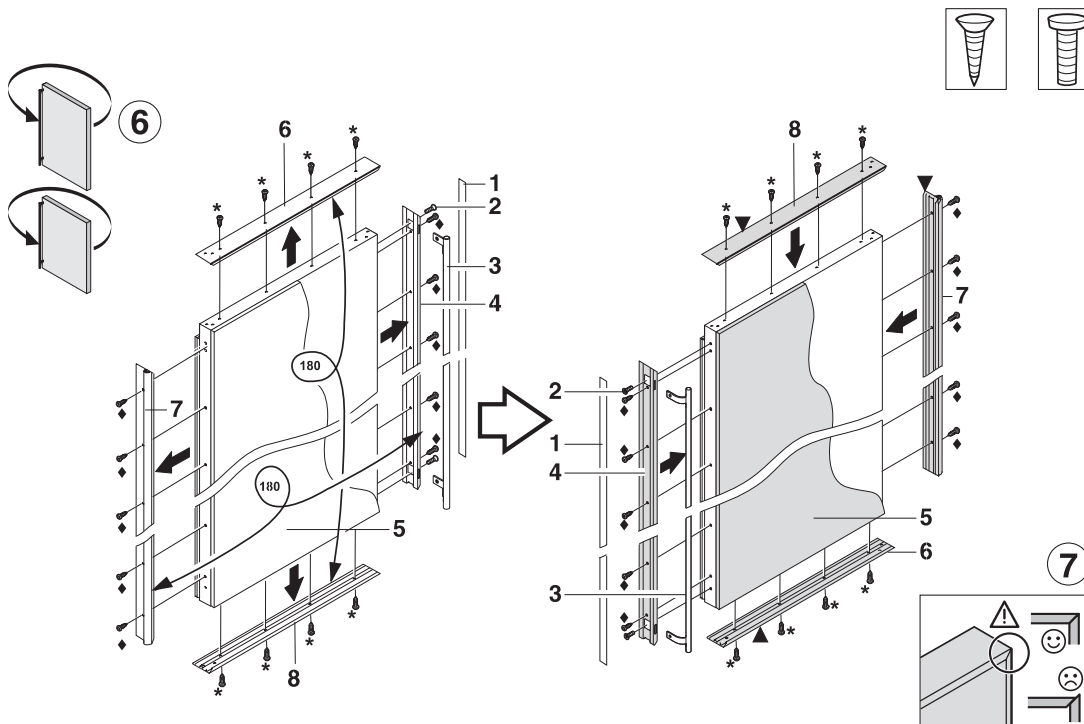
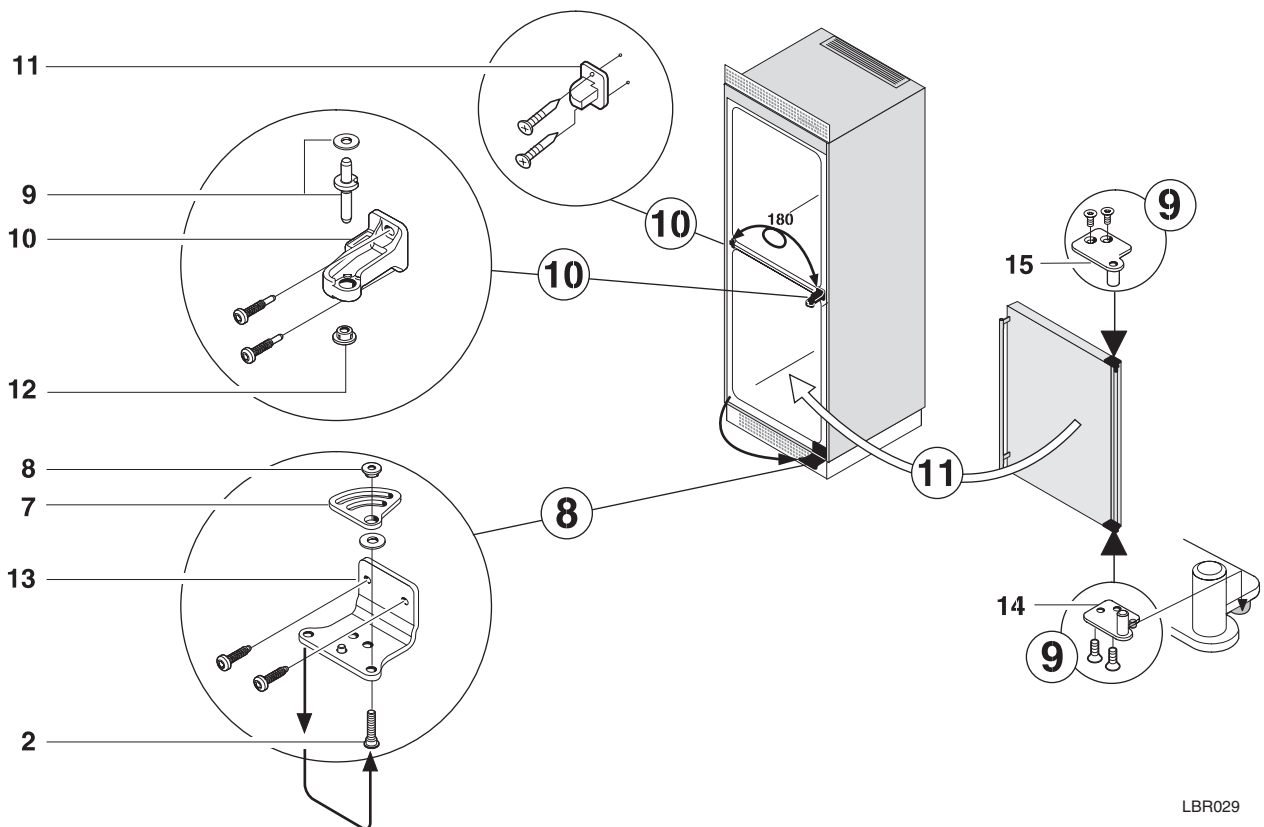


Figura 11

LBRP28

INVERSIÓN DE LAS BISAGRAS DE PUERTAS

8. **Figura 12:** Destornille la bisagra inferior (13).
 - Retire los topes, el buje y la arandela (7, 8, 6).
 - Transfiera el pasador de la bisagra (2) al lado opuesto.
 - Gire el tope (7) hasta 180° y ponga el buje (8) y la arandela como se muestra en el esquema detallado.
 - Atornille la bisagra (13) en el nuevo lado elegido.
9. En la puerta inferior: Reinstale los accesorios de la puerta (14, 15). Preste especial atención al componente (14) con el tope.
 - Gire la puerta hacia adentro.
 - Preste especial atención al buje (12) en la bisagra central (10).
 - Inserte el pasador de la bisagra (9) y agregue la arandela.
10. Destornille la bisagra central (10) y la tapa (11), extráigalas dejándolas a un lado y después de voltearlas hasta 180°, colóquelas deslizándolas nuevamente en el lado opuesto y asegúrelas.
 - Gire la puerta hacia adentro.
 - Preste especial atención al buje (12) en la bisagra central (10).
 - Inserte el pasador de la bisagra (9) y agregue la arandela.
11. Ponga la puerta inferior en el pasador de la bisagra (2) en la parte de abajo.
 - Gire la puerta hacia adentro.
 - Preste especial atención al buje (12) en la bisagra central (10).
 - Inserte el pasador de la bisagra (9) y agregue la arandela.



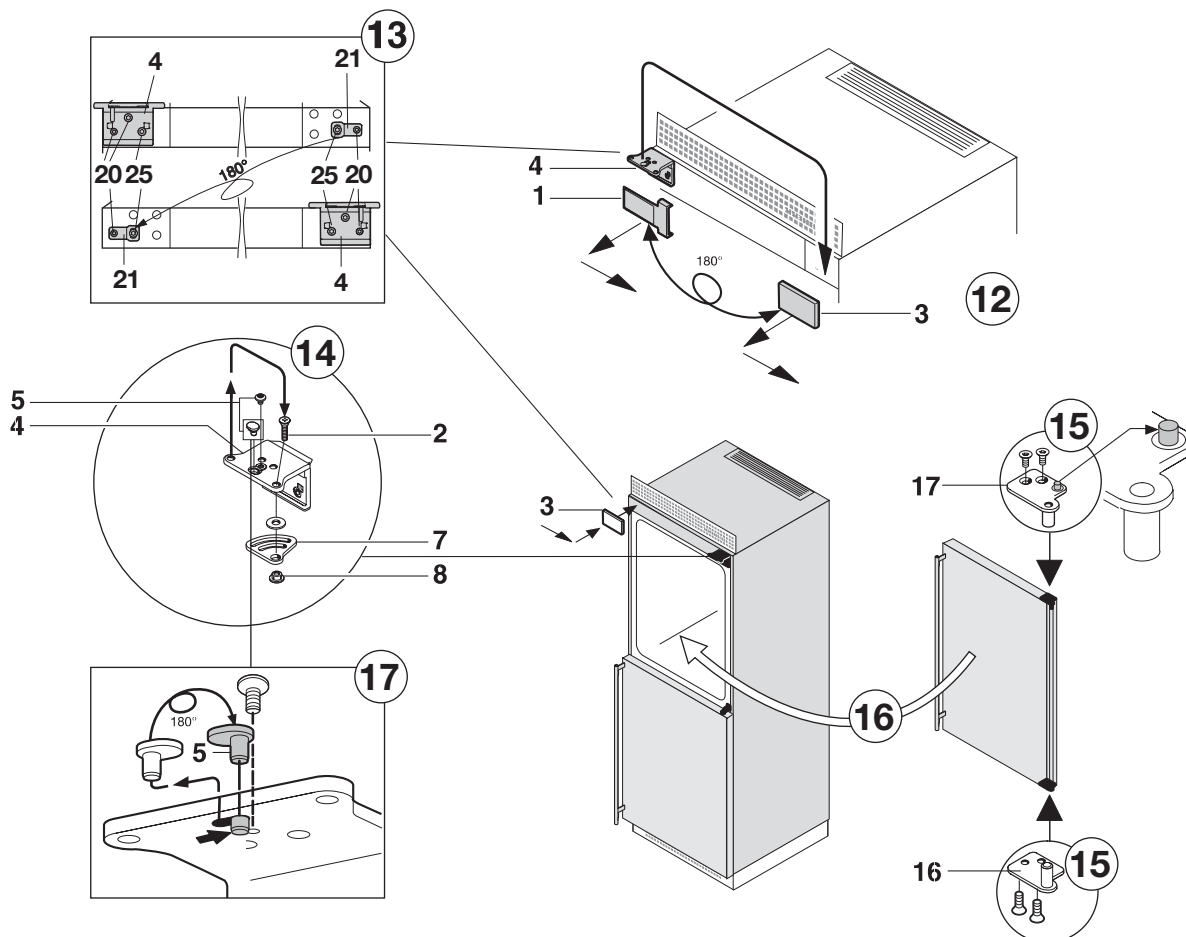
LBR029

Figura 12

Un deleite de frescura

INVERSIÓN DE LAS BISAGRAS DE PUERTAS

12. **Figura 13:** Levante la cubierta (3) en el lado del tirador, empuje hacia afuera; levante hacia arriba la cubierta (1) en el lado de las bisagras y sáquela.
 13. Destornille la placa de montaje (21): primero el tornillo de montaje (20), luego el tornillo de retención interior (25).
 - Destornille la bisagra (4): primero quite el tornillo de montaje (20), luego los tornillos de retención (25). Encaje la bisagra (4) en el lado opuesto: para facilitar el ensamblaje, encaje la bisagra desde arriba y apriete primero con el tornillo superior de retención (25) M5, luego el tornillo (25) y finalmente el tornillo de montaje M4 (20).
 - Gire la placa de montaje (21) hasta 180° y apriete bien el tornillo otra vez en el nuevo lado del tirador: primero el tornillo de retención (25), luego el tornillo de montaje (20).
 14. Retire el excéntrico (5) con el tornillo de retención y coloque con tornillo (6) la bisagra (4).
 15. En la puerta superior: Reinstale los accesorios de la puerta (16, 17). Preste especial atención al accesorio (17) con el tope.
 16. Ponga la puerta superior en la bisagra central, encaje el buje (8), el tope (7) y la arandela en la puerta, gire hacia adentro la puerta arriba e inserte y asegure el pasador de la bisagra (2) desde arriba a través de la bisagra y del tope.
 17. Reinserte el excéntrico (5) con el tornillo de retención como se muestra en el esquema detallado.
- Compruebe la alineación correcta de todas las puertas. Ajustelas si es necesario usando las ranuras de la bisagra.



LBR030

Figura 13

INVERSIÓN DE LAS BISAGRAS DE PUERTAS

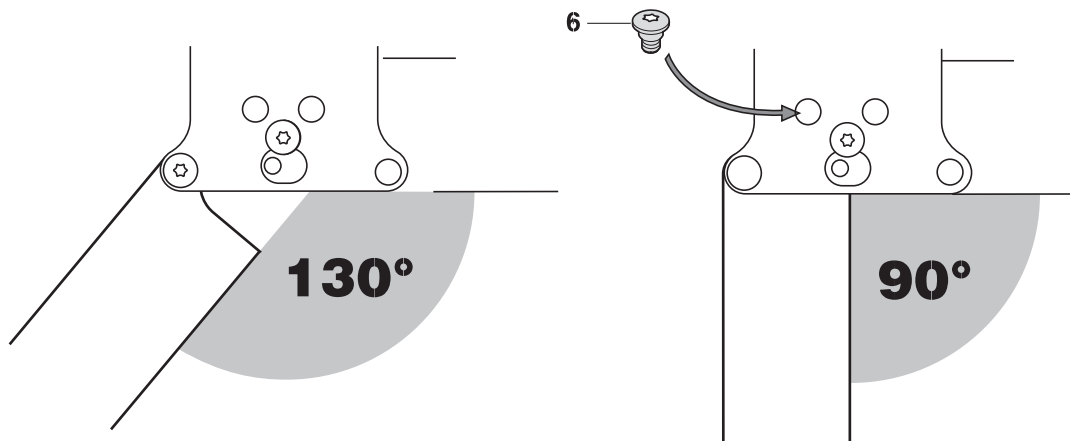
Ángulo de apertura de puerta -

Figuras 14, 15

El aparato se entrega con un ángulo de apertura de la puerta de 130°.

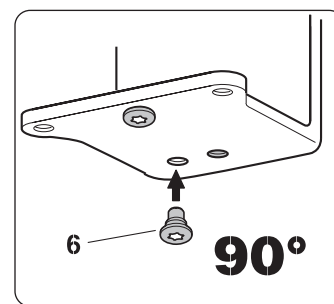
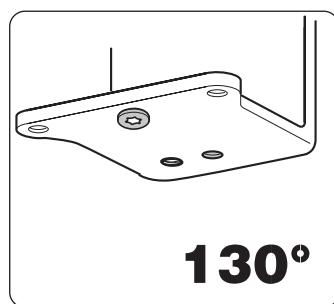
Si se ha de disminuir el ángulo a 90°, proceda de la siguiente manera:

- **Inserte el tornillo instalado (6)** en la bisagra **superior** como se muestra en la **Figura 14**.
- **Inserte el tornillo instalado (6)** en la bisagra **inferior** como se muestra en la **Figura 15**.



LBR031

Figura 14



LBR032

Figura 15

Un deleite de frescura

INVERSIÓN DE LAS BISAGRAS DE PUERTAS

Sólo instale el frigorífico/congelador en un armario estable de cocina que se haya alineado correctamente.

- Monte y fije los tiradores, dependiendo del modelo y de las opciones.

Figura 16: Instalación con el juego de rejillas de aireación:

1. Atornille el armazón de la instalación arriba (1) en el aparato (2).
2. Ponga la rejilla de aireación (3) sobre éste, alinéela en el centro y asegure adelante por debajo.
3. Deslice los soportes (4) en las armazones laterales de instalación (5) desde arriba y abajo.
4. Usando el armazón (5), atornille los soportes en la pared lateral*.
5. Deslice las armazones laterales de instalación (5) hacia arriba hasta que tomen contacto con la parte de abajo de la rejilla de aireación.
6. Asegure las armazones laterales con la sección adhesiva (7) para evitar que se deslicen hacia abajo. Retire la película protectora y fije las secciones adhesivas sobre los soportes superiores en los lados del tirador y de las bisagras.

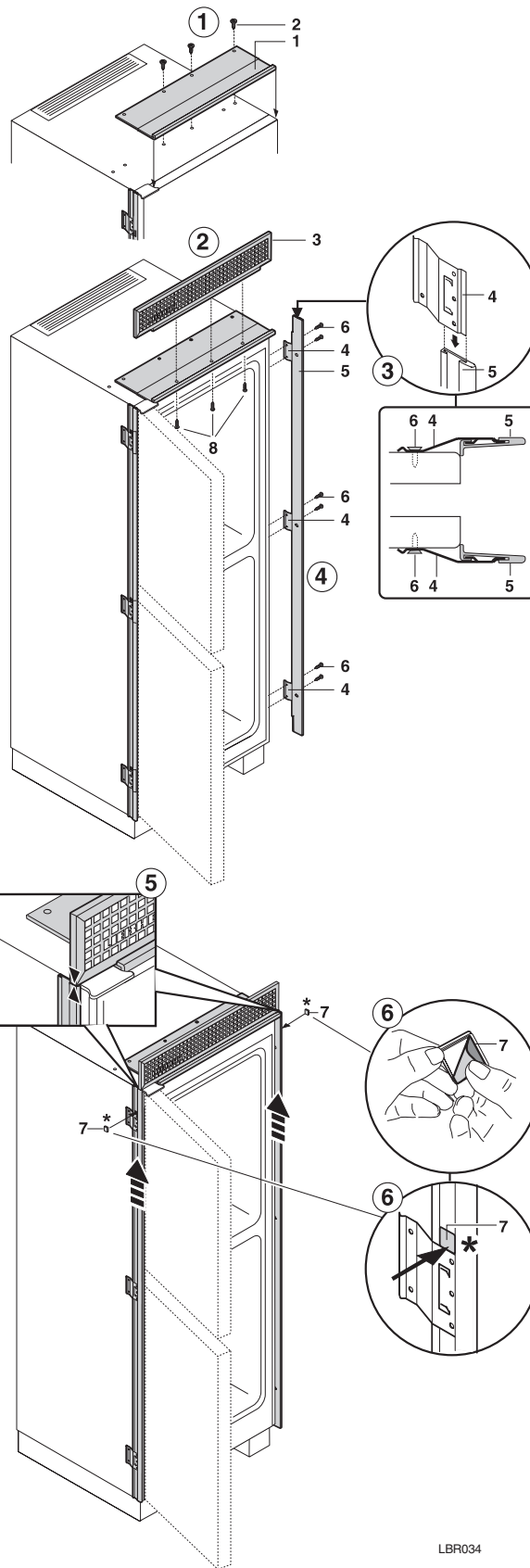
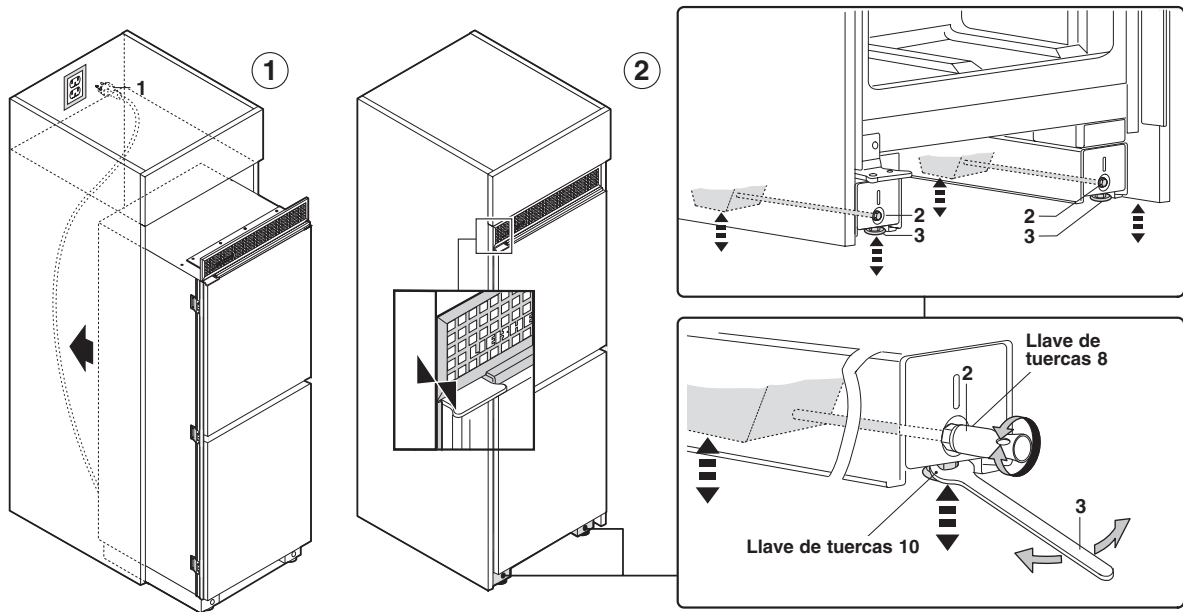


Figura 16

- **Figura 17:** Conecte el aparato a la fuente de alimentación principal.
- Si el aparato está equipado con un preparador de cubitos de hielo, haga la conexión para el suministro de agua. Remítase a “Conexión de agua para el preparador de hielo”.

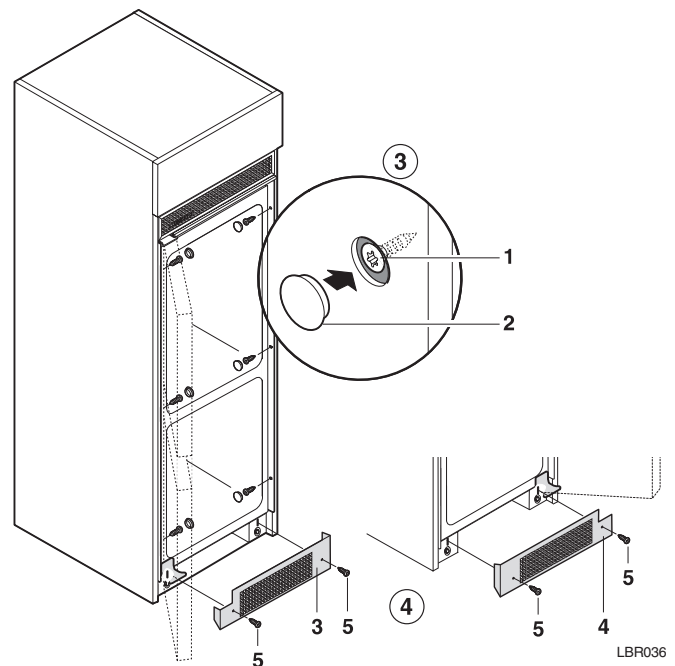
1. Deslice con cuidado el aparato dentro del armario hasta que la rejilla de aireación toque el armario circundante de la cocina.
2. Alinee el aparato hasta que quede paralelo con el armario circundante: en la parte delantera usando las ruedas niveladoras **(3)** – tome una llave de 10 mm; en la parte de atrás usando el perno de ajuste **(2)**. Ajuste máximo: 19/32" (15 mm).



LBR035

Figura 17

3. **Figura 18:** Alinee el aparato en el costado con el panel lateral del armario e instálelo con tornillos **(1)**.
 - Cubra los tornillos con tapas **(2)**.
4. Encaje la rejilla de aireación en la parte inferior [**(3)** si la puerta tiene bisagras a la izquierda, **(4)** si las tiene a la derecha]: Asegure la rejilla de aireación para que toque el piso y luego ajústela usando las ranuras.



LBR036

Figura 18

Un deleite de frescura

INSTALACIÓN

Deben observarse las siguientes **distancias y cortes transversales de aireación**:

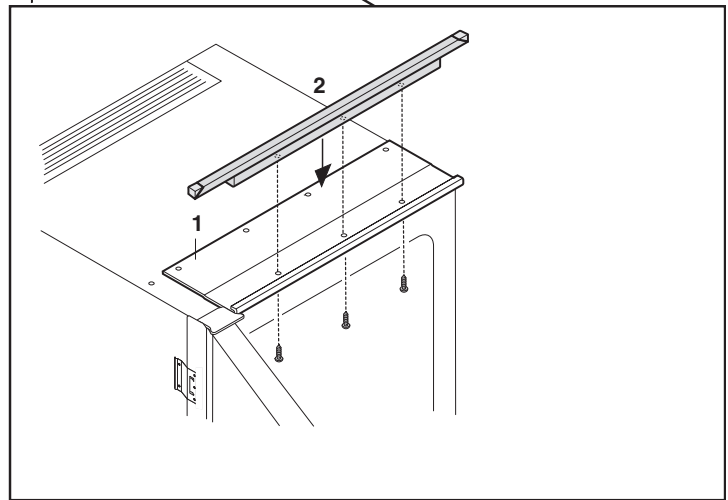
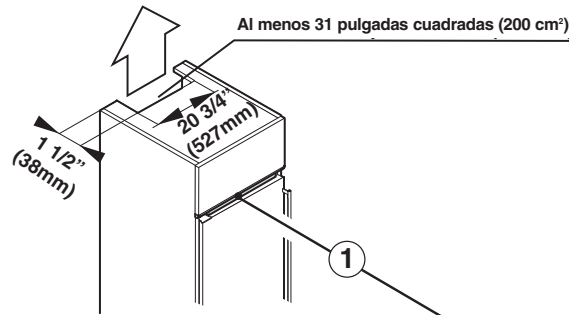
- Debe haber un espacio de aireación de al menos 31 pulgadas cuadradas (200 cm²) por aparato en el plinto del armario y bajo el panel superior del armario.
- La profundidad del ducto de aireación en la parte posterior del armario debe ser de al menos 1-1/2" (38 mm).

Alternativamente:

1. **Para aparatos empotrados sin rejillas de aireación** y sólo con un armazón de instalación, debe ventilarse a través del ducto de aireación en la parte posterior del armario.

Aparatos empotrados con un **armazón de instalación**:

- **Figura 19:**
 - Instale con tornillos el armazón completa de instalación (2) en el aparato (1).



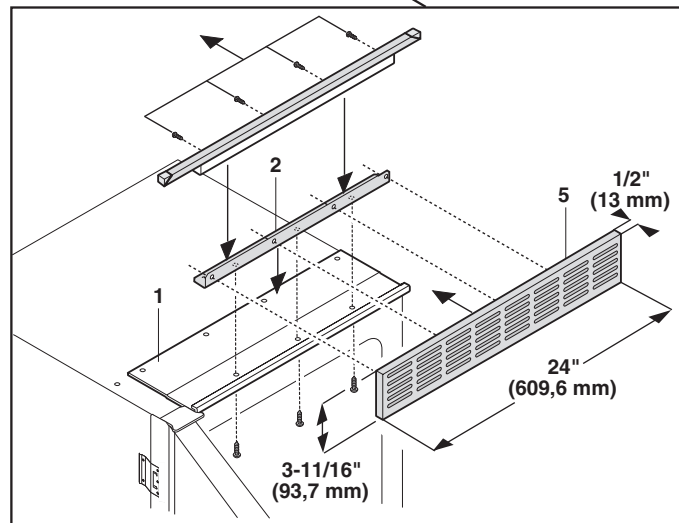
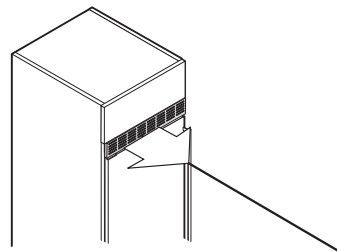
LBR037

Figura 19

2. **Aparatos empotrados con una rejilla de aireación de madera:**

Figura 20: Corte el borde de madera para usarlo como rejilla de aireación con la plantilla incluida.

- El corte transversal de aireación necesario debe ser de al menos 31 pulgadas cuadradas (200 cm²) cuando se instale un solo aparato, lo cual corresponde a la plantilla "pequeña" (si instala dos aparatos lado a lado, el corte transversal debe ser de al menos 62 pulgadas cuadradas, 400 cm², lo cual corresponde a la plantilla de "doble tamaño"; para obtener más información consulte la "Instalación lado a lado").
- Retire el soporte de sujeción (2) del armazón de instalación y póngala con tornillos en el aparato (1) desde abajo. Ponga la rejilla de aireación de madera (5) en el aparato, alinéela en el centro y asegúrela desde atrás usando el soporte de sujeción (2).



LBR038

Figura 20

SUJECIÓN DE SEGURIDAD

Figura 21: Fije el frigorífico en su lugar de forma que no se incline hacia delante cuando se abra la puerta estando completamente llena.

2. Mida la distancia desde el suelo hasta el borde superior del aparato.
3. Coloque y marque dos listones de sujeción **(1)** en la pared en la que se colocará el aparato. El espacio entre la parte superior del aparato y la parte inferior de las escuadras de sujeción no debe ser superior a 1/4" (0.635 cm).
4. Asegúrese de que los tornillos **(2)** entren un mínimo de 1" (2.54 cm) en cada uno de los listones de sujeción.
5. Revise que las escuadras anti-inclinación **(3)** se instalen a un mínimo de 3" (7.62 cm) por encima del aparato y que estén bien fijadas en su lugar.

IMPORTANTE

Las escuadras anti-inclinación pueden instalarse en ambas direcciones o más juntas. Coloque siempre estas escuadras lo más separadas posible, pero asegurando que queden ancladas en dos listones de sujeción.

6. Utilizando la base rodante ajustable, levante el aparato hasta que entre en contacto con las escuadras de sujeción. Asegúrese de que las patas roscadas delanteras estén firmemente fijadas sobre el piso para evitar que el aparato se incline hacia delante.

IMPORTANTE

Si el aparato está colocado entre los listones de sujeción, se puede fijar una tabla a la pared. Asegúrese de que la tabla esté fijada a los listones mediante tornillos que penetren en los listones un mínimo de 1" (2.54 cm). La tabla debe ser como mínimo de 1" x 6" (2.54 cm x 15.24 cm) y suficientemente larga como para fijar ambos extremos a los listones de sujeción.

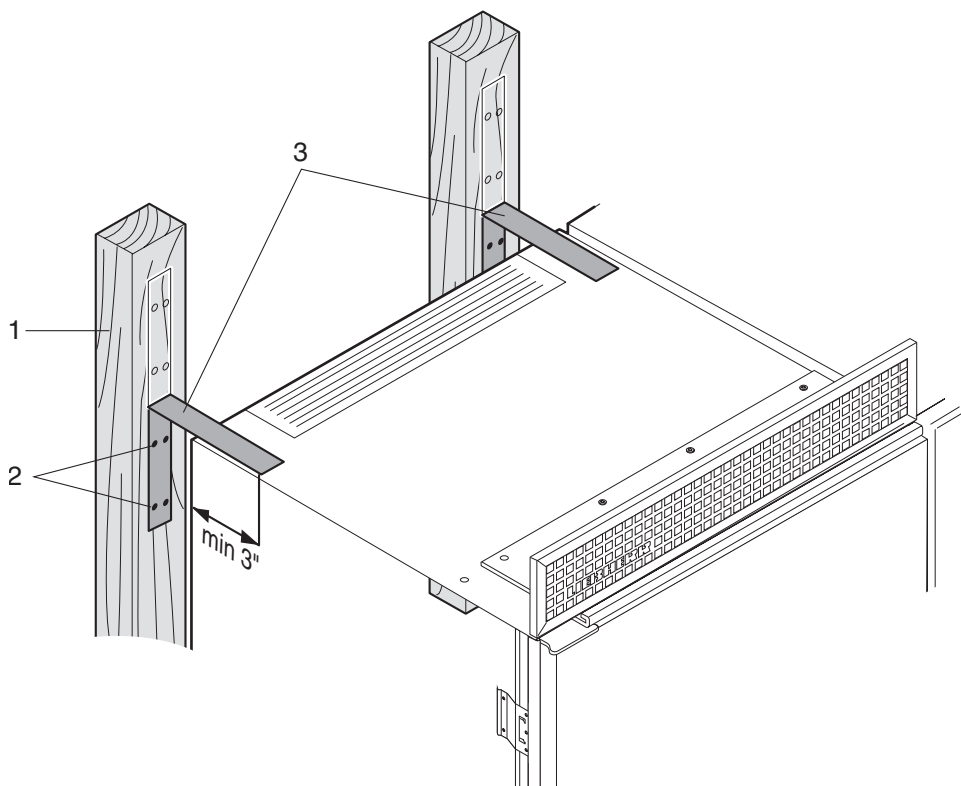


Figura 21

PREPARADOR DE CUBITOS DE HIELO

Conexión de agua - Figura 22

Antes de la conexión al suministro de agua, lea los tres primeros puntos de las instrucciones y advertencias generales y concernientes a la seguridad.

- La presión del agua debe estar entre 21.8 y 87.0 psi (1.5 - 6 bar).
- Utilice un tubo de cobre con un diámetro exterior de 1/4 de pulgada para realizar la conexión entre la válvula solenoide y el suministro de agua de la casa. **Este tubo no se incluye con el aparato (Figura 22).**
- Entre la tubería flexible y la conexión de agua de la casa debe instalarse una válvula de cierre, como por ejemplo la llave de paso autopercutorante ilustrada, para poder interrumpir la admisión de agua en caso necesario.

No instale la válvula de cierre detrás de la unidad de refrigeración.

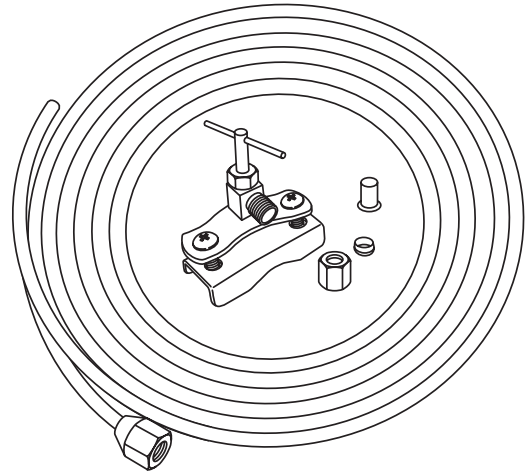


Figura 22

- Si tiene agua dura, le recomendamos que instale un ablandador de agua. Además, debe instalarse un filtro si el agua contiene sólidos, como arena.
- Todos los equipos y dispositivos utilizados para el suministro de agua al aparato deben cumplir con los reglamentos vigentes en su área geográfica.

PREPARADOR DE CUBITOS DE HIELO

Conexión al suministro de agua -

Figuras 23, 24

1. Instale la válvula de cierre, el filtro para el agua y el dispositivo de cierre automático, como sea necesario.

Nota

La válvula solenoide está situada en la parte posterior del aparato.

2. El tubo de cobre de 1/4 de pulgada que hay entre la válvula de cierre y la válvula solenoide tiene un conector macho de 3/4 de pulgada (**Figura 24**). Revise que queden aproximadamente 27 pulgadas (70 cm) de tubo sobrantes en la parte posterior del aparato para facilitar la conexión.

Nota

Se incluye un adaptador de 3/4" a 1/4" y una presilla de cable con el preparador de cubitos de hielo.

Retire la tapa (**4**) de la válvula solenoide (**1**). Instale el soporte de conexión (**2**) con el aro sellador (**6**) en la válvula solenoide (**1**). Conecte el tubo de cobre al soporte de conexión (**2**). Asegure el tubo de cobre (**3**) al aparato usando la presilla para el cable (**5**).

3. Abra la válvula de cierre para la alimentación de agua y examine el sistema de agua completo para verificar que no hay fugas. Antes de utilizar el aparato por primera vez, un plomero autorizado debe purgar el aire del sistema.
4. Inserte el enchufe eléctrico del frigorífico-congelador combinado en la toma de corriente (**Figura 23**).
5. Desplace el frigorífico-congelador combinado a su posición prevista en el lugar de la instalación.

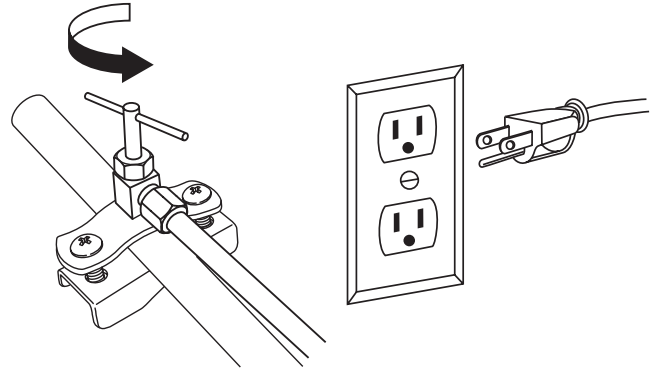


Figura 23

INSTALACIÓN LADO A LADO

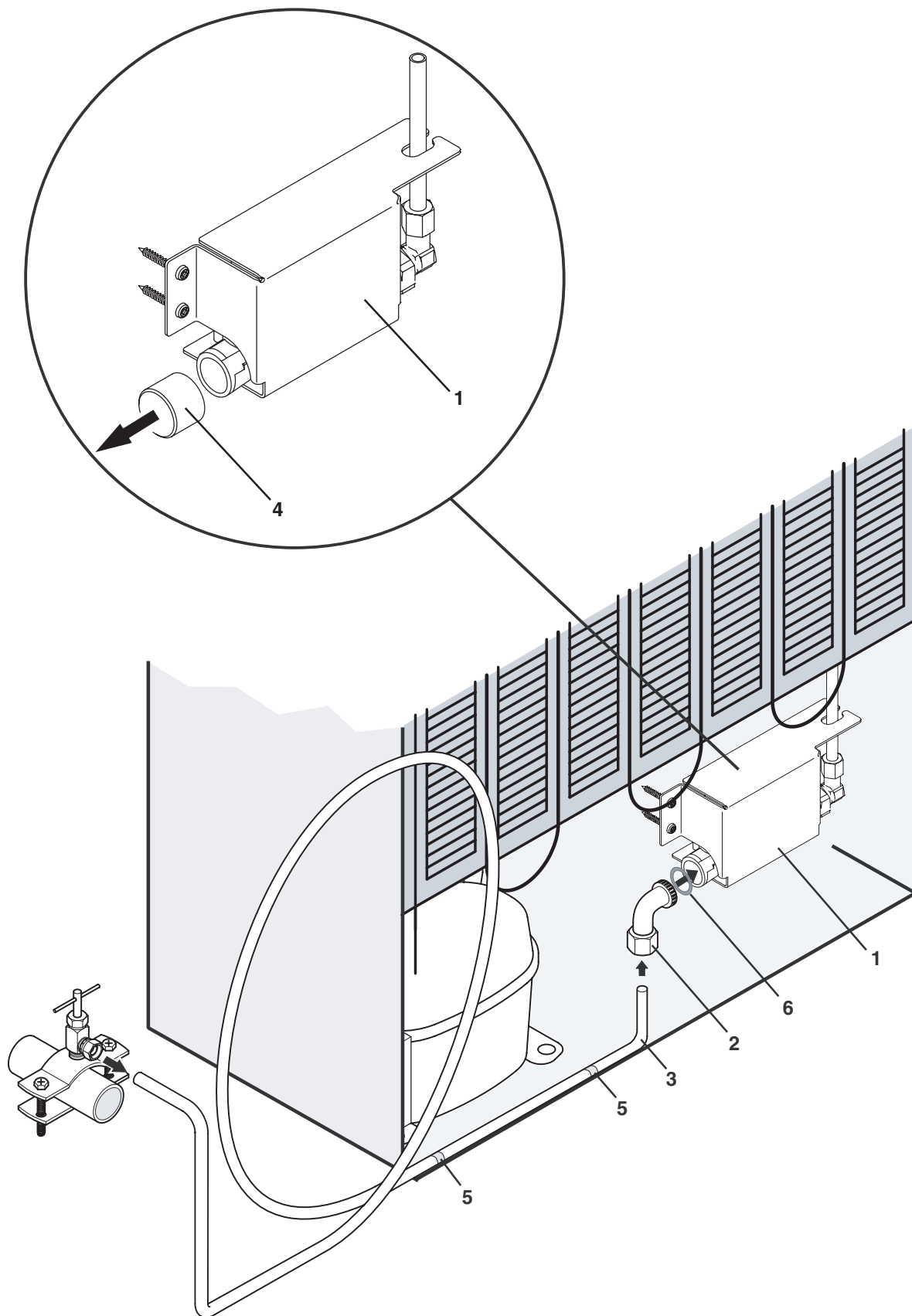


Figura 24

Un deleite de frescura

INSTALACIÓN LADO A LADO

Figura 25: Para instalar aparatos BFI 1051 unos junto a otros, proceda de la siguiente manera:

- Siempre ponga el BF/BFI 1051 con las bisagras en el lado izquierdo (mirando desde adelante).

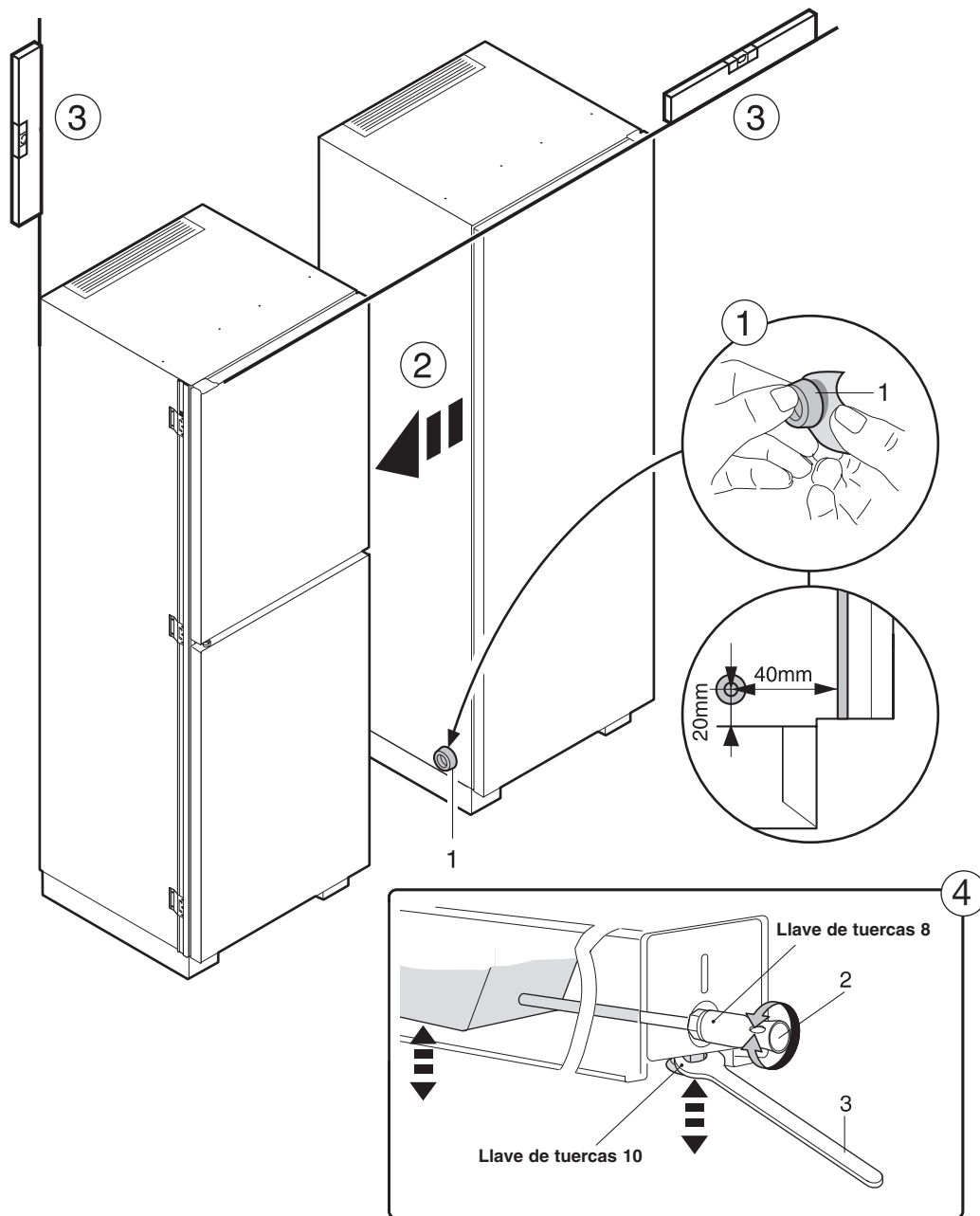
Instalación con el juego de rejillas de aireación SBS:

1. Fije el separador (1) en la pared lateral del aparato - retire la película protectora.

2. Empuje juntos los aparatos,
- alinéelos *paralelos* entre sí.

3. Use un nivel arriba para alinearlos *a la misma altura*:

4. Use la base rodante ajustable (2, 3) y el perno de ajuste (2) atrás.

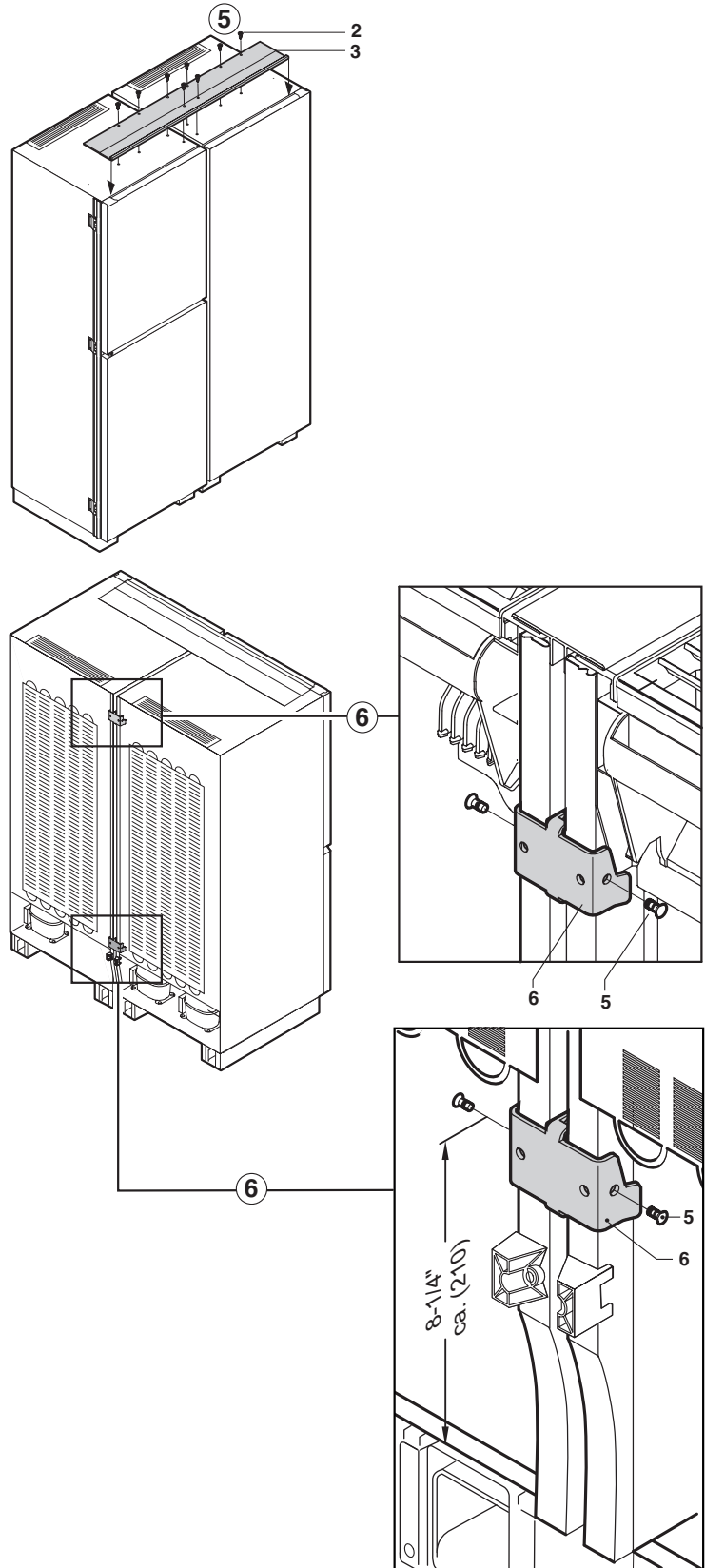


LBR039

Figura 25

INSTALACIÓN LADO A LADO

5. Asegure el armazón de instalación (3) de arriba en los aparatos (2). Alinee el aparato abajo por delante.
6. **Figura 26:** Ponga los soportes de sujeción (6) en la parte trasera de los aparatos arriba y abajo. Deslice hacia arriba el soporte de sujeción superior hasta donde sea posible. Asegúrelo en el costado usando los tornillos provistos (5).



LBR040

Figura 26

Un deleite de frescura

INSTALACIÓN LADO A LADO

7. **Figura 27:** Empuje el perno cuadrado largo M5x260 (7) a través de las ruedas niveladoras como se muestra. Encaje una arandela (8). Coloque la tuerca mariposa (9) y apriétela *manualmente*. No apriete en exceso.
8. *Atornille bien todas las ruedas niveladoras.* De lo contrario dañará el piso al empujar los aparatos.
9. Asegure la rejilla de aireación (10) en el aparato (11). Empuje la tira de sellado (4) como se muestra.

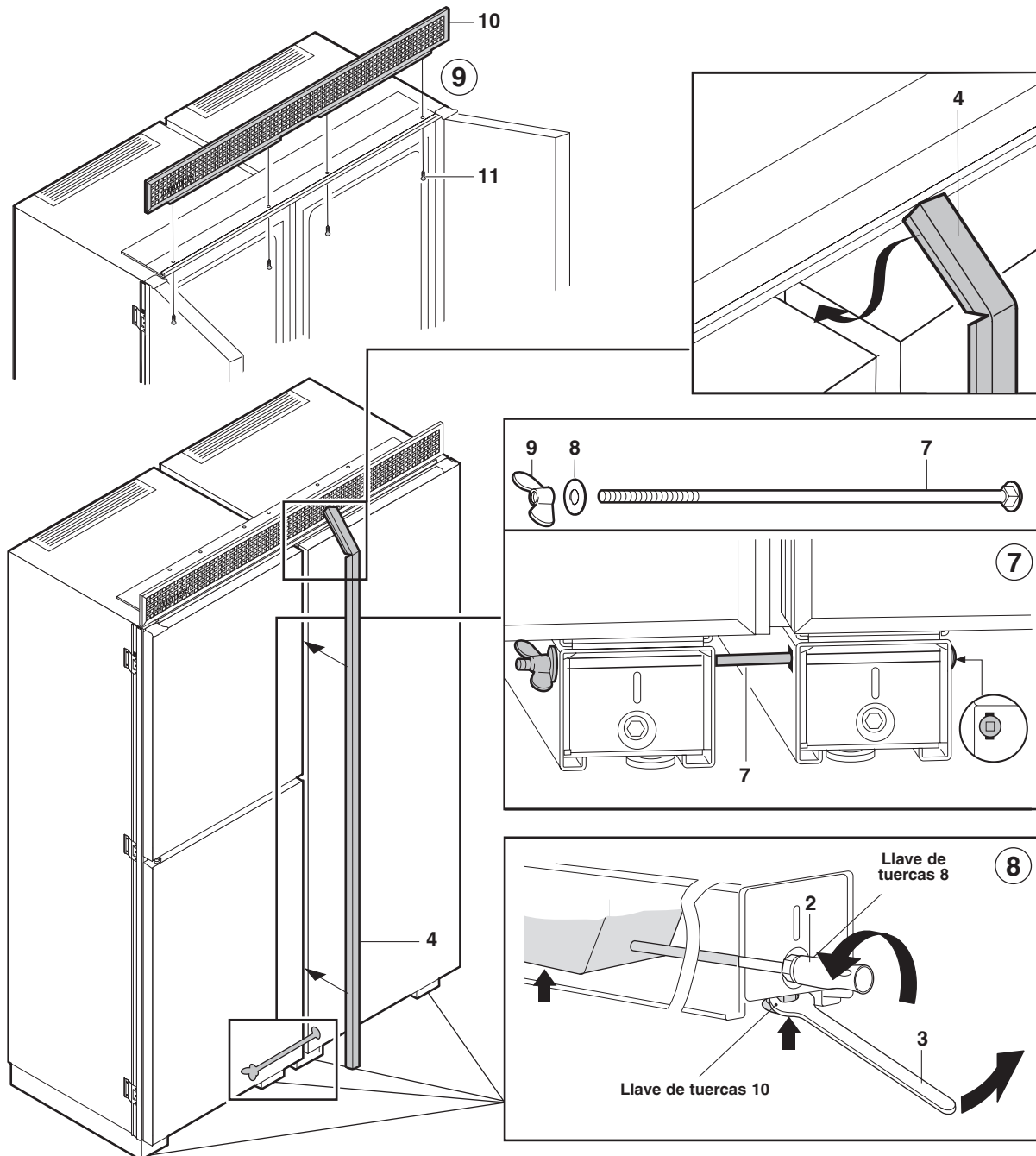


Figura 27

Un deleite de frescura

INSTALACIÓN LADO A LADO

10. **Figuras 28, 29:** Deslice las armazones laterales de instalación (15) hacia arriba hasta que tomen contacto con la parte de abajo de la rejilla de aireación, **Figura 28**.
11. Asegure las armazones laterales con la sección adhesiva (17) para evitar que se deslicen hacia abajo. Retire la película protectora y ponga las secciones adhesivas sobre los soportes superiores en los lados del tirador y de las bisagras.
12. Instale las escuadras anti-inclinación de cada aparato. Remítase a "Sujeción de seguridad".

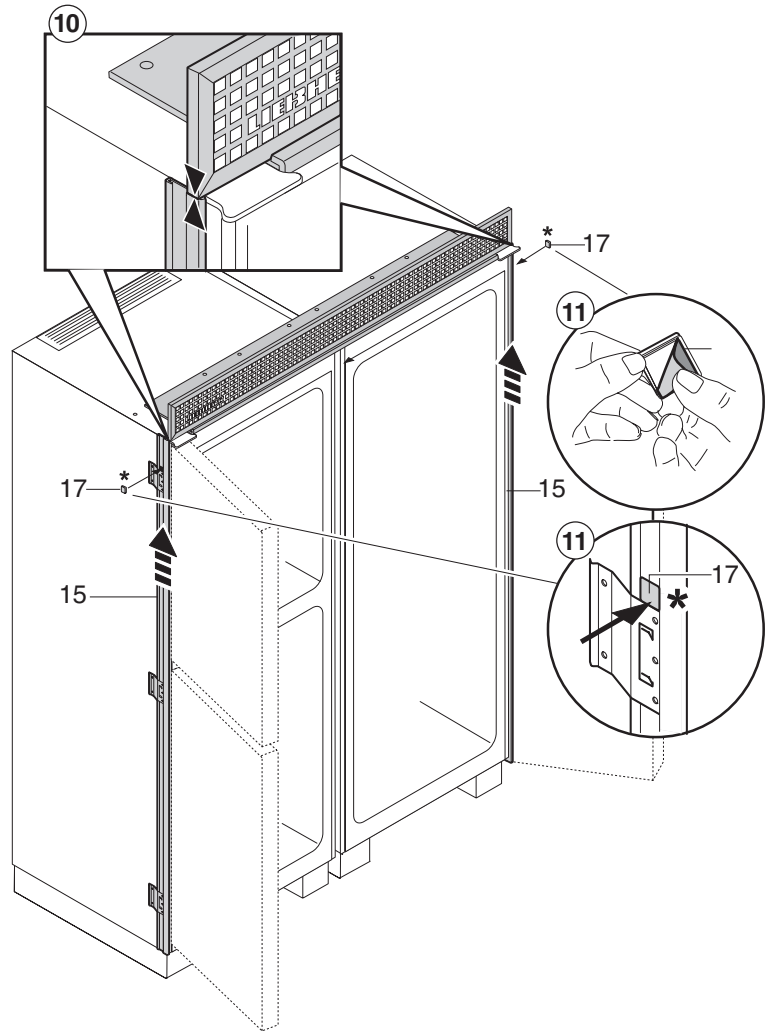


Figura 28

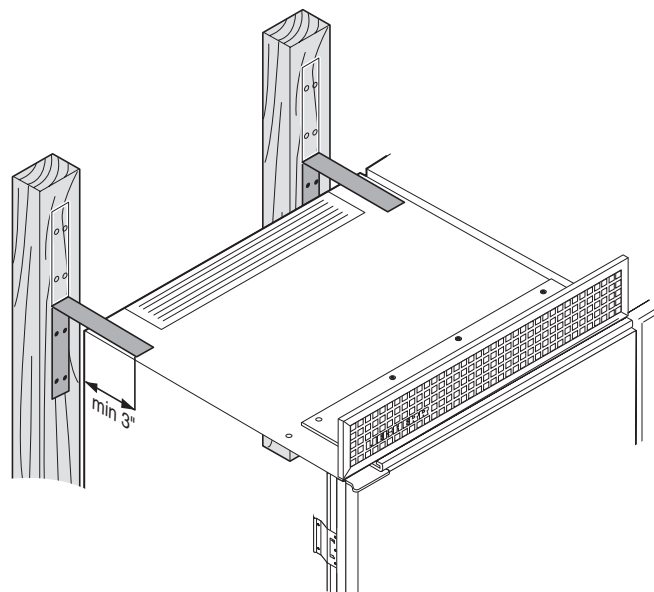


Figura 30

Un deleite de frescura

INSTALACIÓN LADO A LADO

13. Figura 30, 31: Conecte los aparatos:

- a la fuente de alimentación principal y
- al suministro de agua si el aparato está equipado con un preparador de cubitos de hielo. Remítase a “Conexión de agua para el preparador de hielo”, **Figura 30**.

14. Deslice con cuidado los aparatos conectados en el hueco hasta que la rejilla de aireación toque arriba, **Figura 31**.

15. Alinee los aparatos usando solamente las ruedas niveladoras **exteriores** adelante (3) y atrás (2).

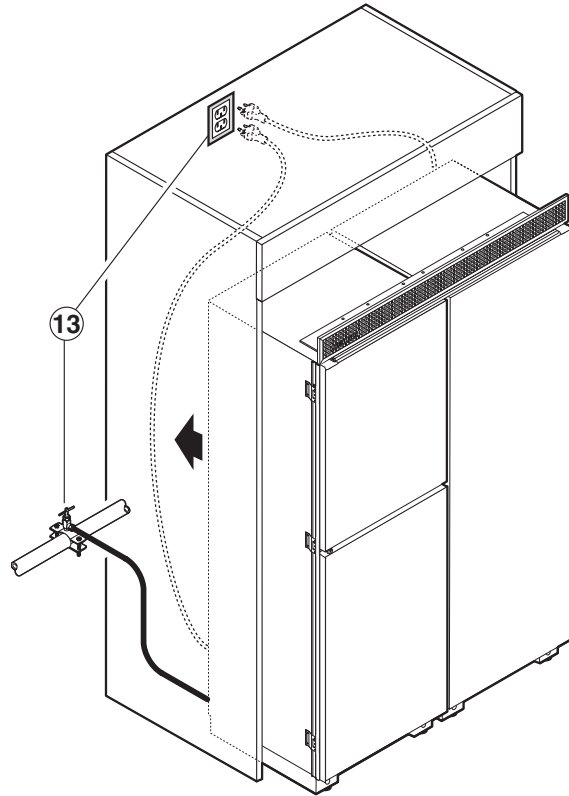


Figura 30

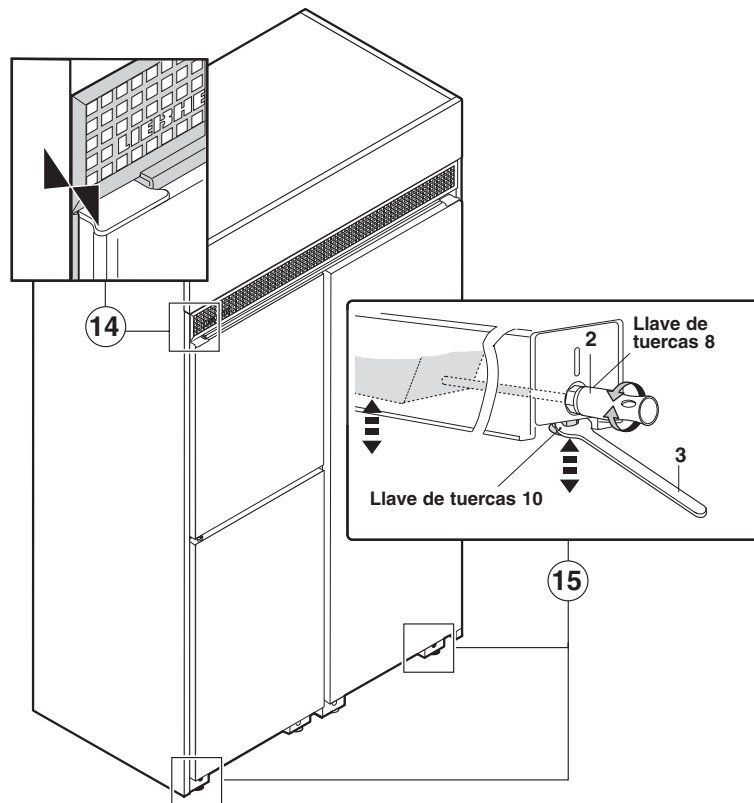
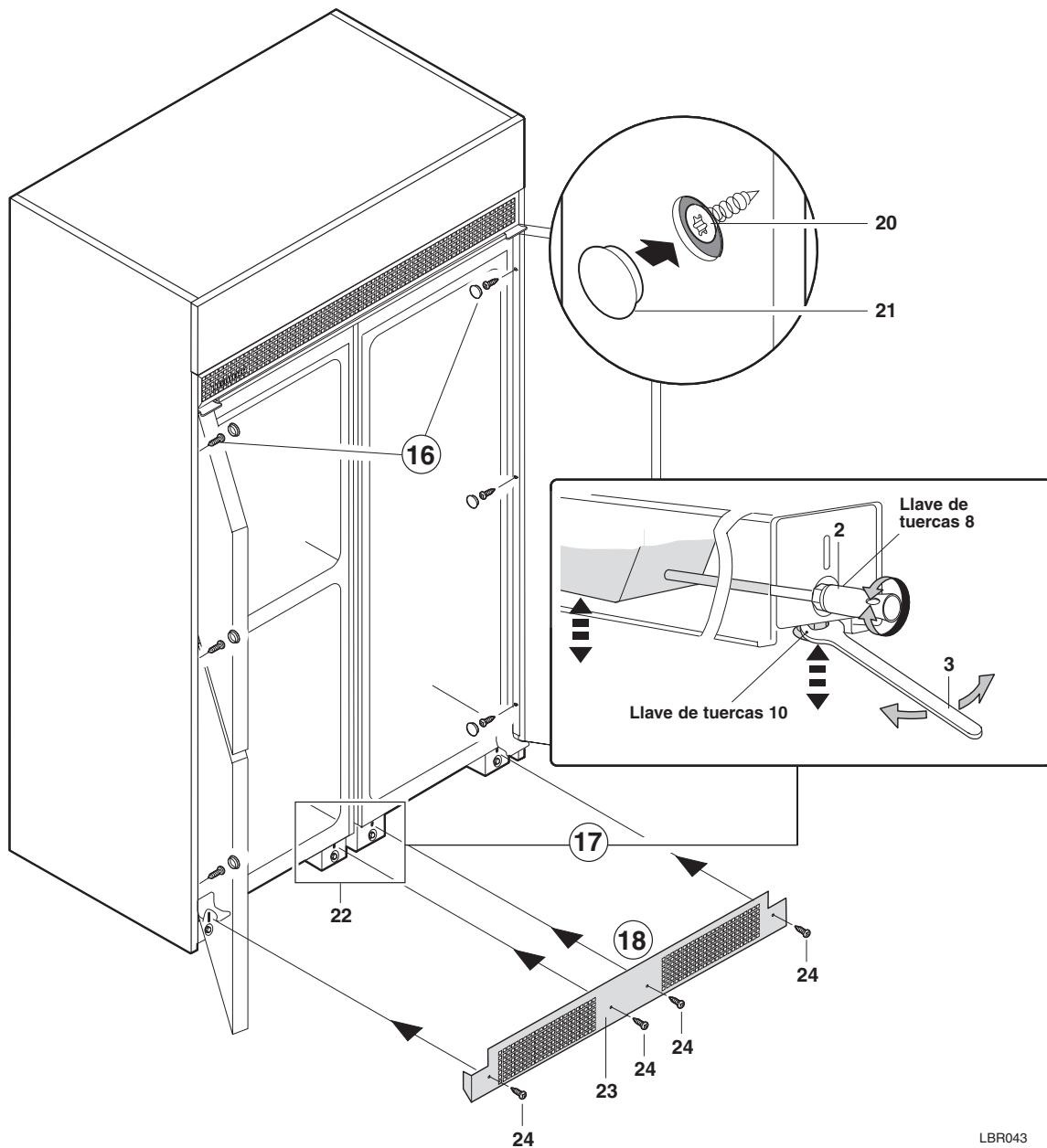


Figura 31

LBR042

INSTALACIÓN LADO A LADO

16. **Figura 32:** Conecte la combinación *alineada* al armario de cocina circundante. Asegúrela por las armazones laterales usando los tornillos (20) provistos.
 - Cubra los tornillos con tapas (21).
17. Ahora ajuste las bases rodantes ajustables centrales (22) de tal modo que **hagan un leve contacto con el piso**.
18. Instale la rejilla de aireación inferior (23): Asegure la rejilla de aireación para que toque el piso y ajústela usando las ranuras.



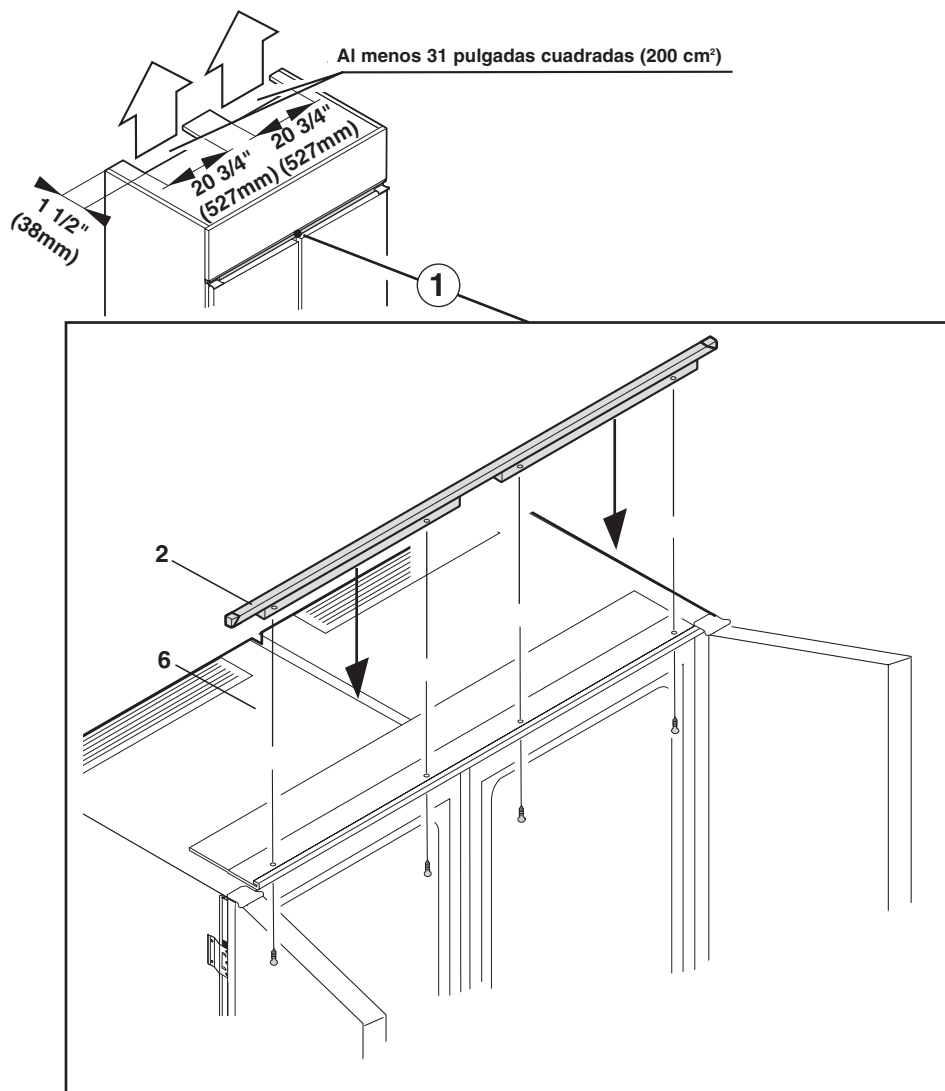
LBR043

Figura 32

Un deleite de frescura

INSTALACIÓN LADO A LADO

1. Para aparatos empotrados sin rejillas de aireación y sólo con un armazón de instalación (2), debe ventilarse a través del ducto de aireación en la parte posterior del armario. Revise que el corte transversal de aireación tenga al menos 31 pulgadas cuadradas (200 cm²) por aparato. Al menos 62 pulgadas cuadradas (400 cm²) para la instalación lado a lado de dos aparatos. Aparatos empotrados con un armazón de instalación:
 - **Figura 33:** Atornille el armazón de instalación (2) en el aparato a través de los soportes de sujeción.



LBR033

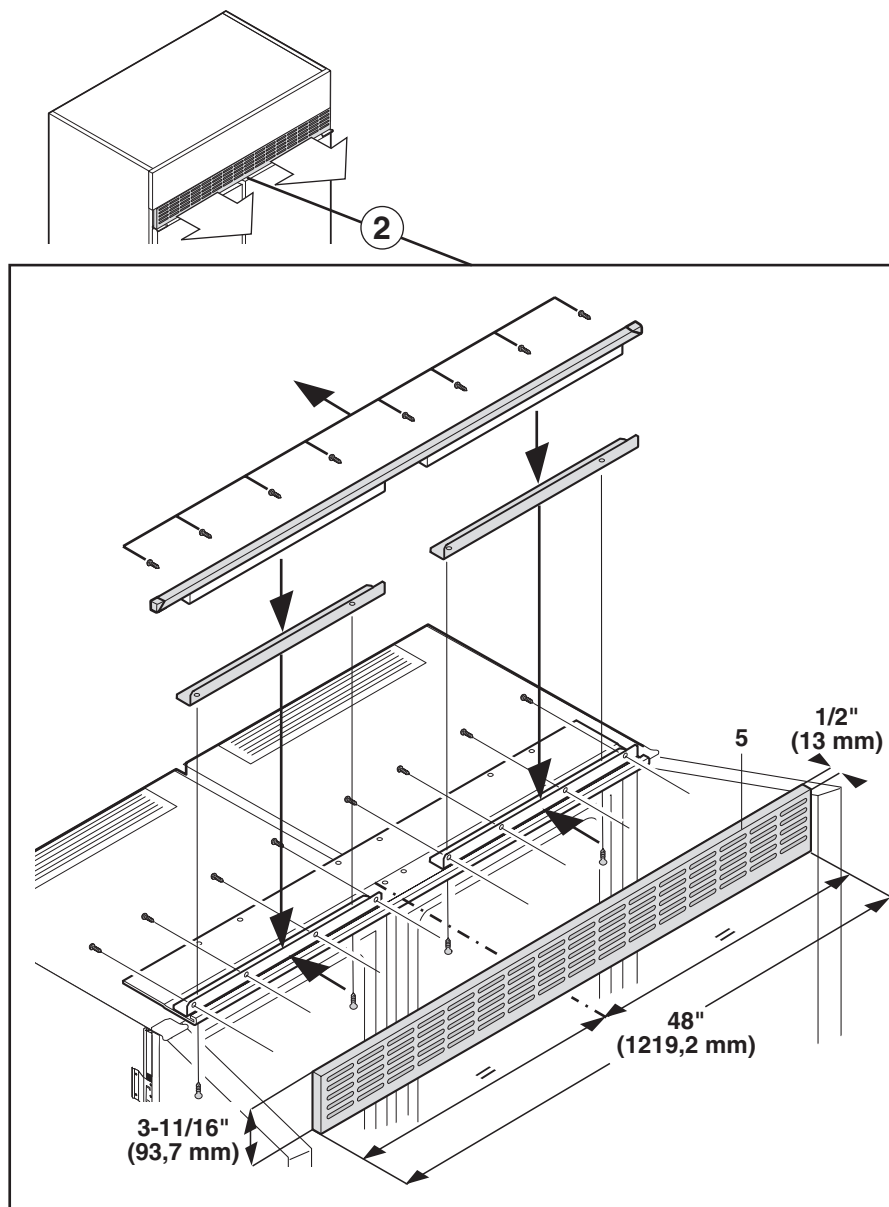
Figura 33

INSTALACIÓN LADO A LADO

Aparatos empotrados con una rejilla de aireación de madera:

2. **Figura 34:** Corte el borde de madera para usarlo como rejilla de aireación con la plantilla incluida.
- El corte transversal de aireación necesario debe tener al menos 62 pulgadas cuadradas (400 cm²) para la instalación de dos aparatos uno junto al otro, lo cual corresponde a la plantilla incluida de "doble tamaño".

- Retire los soportes de sujeción del armazón de instalación (2) y póngalos con tornillos en el aparato desde abajo.
- Ponga la rejilla de aireación de madera (5) en el aparato, alinéela en el centro y asegúrela desde atrás usando los soportes de sujeción.



LBR044

Figura 34

Un deleite de frescura

For Service in the U.S.:

Liebherr Service Center

15545 N. 77th Street
Scottsdale, AZ 85260
Phone: (480) 998-0141
Fax: (480) 998-7877

Toll Free: **1-866-543-2437**

E-mail: Liebherr@adcoservice.com

For Service in Canada:

EURO-LINE APPLIANCES

2150 Winston Park Drive - Unit 20
Oakville, Ontario, L6H 5V1
Phone: (905) 829-3980
Fax: (905) 829-3985

Toll Free: **1-800-678-8352**

www.euro-line-appliances.com