

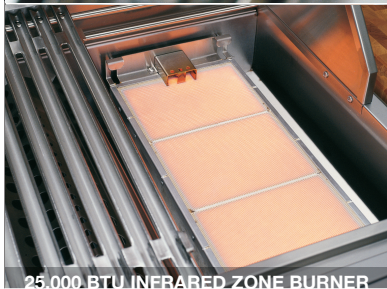
# PERFORMANCE SERIES™

# 30"



PSQ30ZRB1

PSQ30ZRC



25,000 BTU INFRARED ZONE BURNER



25,000 BTU "W" SHAPED SS BURNER



SS SMOKER BOX



30,000 BTU DOUBLE SIDE BURNER

#### MODELS AVAILABLE:

##### Built In Models:

- PSQ30ZRB1 (30" built in grill + 1 rotisserie burner + 1 SS W-Burner + 1 Infrared-Zone Burner)
- PSQ30RBI (30" built in grill + 1 rotisserie burner + 2 SS W-Burners)

##### Cart Models:

- PSQ30ZRC (30" grill on cart + 1 rotisserie burner + 2 lights + 1 SS W-Burner + 1 Infrared-Zone Burner)
- PSQ30RC (30" grill on cart + rotisserie + lights + 2 SS Burners)

#### FEATURES:

- 25,000 BTU "W" Shaped SS Burners
- 25,000 BTU Infrared Zone Burner
- 15,000 BTU Flush Mounted Rotisserie Burner
- 20 Watt Built in Halogen Lights
- Rapid Fire Electronic Ignition System
- SS Wave Shaped Radiant System Reduces Flare-Ups
- Stainless Steel Rod Grates
- Tru-Side™ Grates w/V-shaped grease channeling design - upgrade option
- 50 LB Capacity Rotisserie Motor
- Double-lined Hood Minimizes Discoloration
- Drip Pan Tray on Rollers w/ Internal Spill Trays
- Built Ins and Cart Models Available
- Available in LP or Natural Gas

#### FORM:

- Finest 304 Stainless Steel
- All Seamless Construction
- Chrome Plated Knobs, End Caps, Towel Rack

 MADE IN USA



THE POWER OF PERFORMANCE

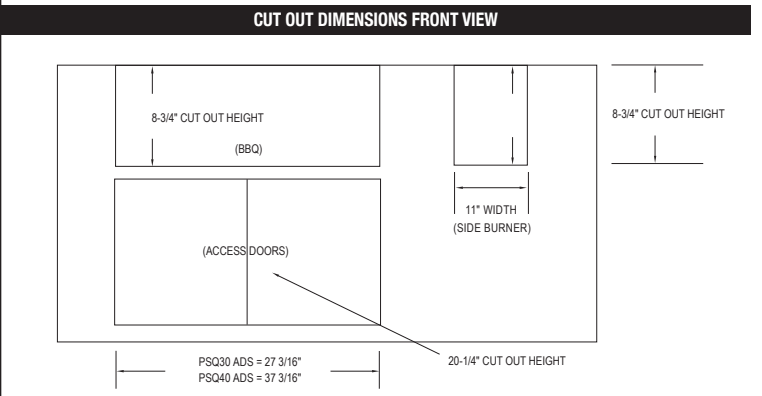
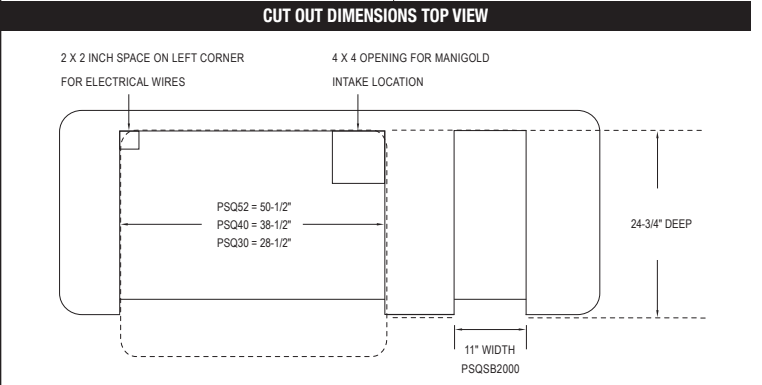
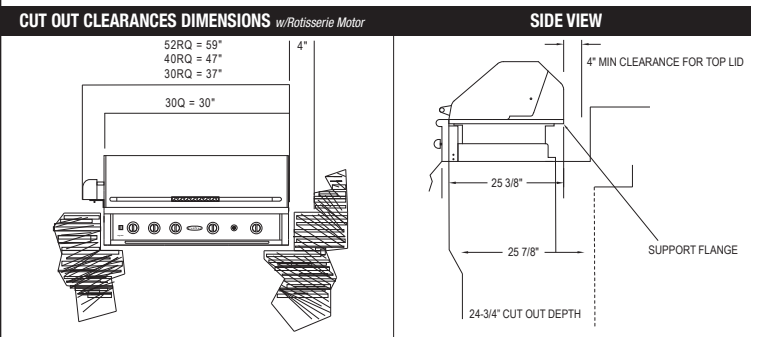
# 30" GRILLS

MODEL #	BUILT IN		CART MODEL	
	PSQ30ZRB1	PSQ30RBI	PSQ30ZRC	PSQ30RC
GRILLING AREA (SQ. IN.)	500	500	500	500
GRILL BURNERS	1 @ 25,000 BTUS EA	2 @ 25,000 BTUS EA	1 @ 25,000 BTUS EA	2 @ 25,000 BTUS EA
INFRARED SEAR-ZONE	1 @ 25,000 BTUS	N/A	1 @ 25,000 BTUS	N/A
INFRARED ROTISSERIE BURNER	1 @ 15,000 BTUS	1 @ 15,000 BTUS	1 @ 15,000 BTUS	1 @ 15,000 BTUS
HEAVY DUTY ROD GRATES	SS	SS	SS	SS
INTEGRATED LIGHTS	2	2	2	2
DOUBLE LINED HOOD	YES	YES	YES	YES
SEAMLESS CONSTRUCTION	YES	YES	YES	YES
DRIP PAN ON ROLLERS	YES	YES	YES	YES
GREASE REDUCTION SYSTEM	AVAILABLE	AVAILABLE	AVAILABLE	AVAILABLE
CART WITH STORAGE DRAWERS	N/A	N/A	YES	YES

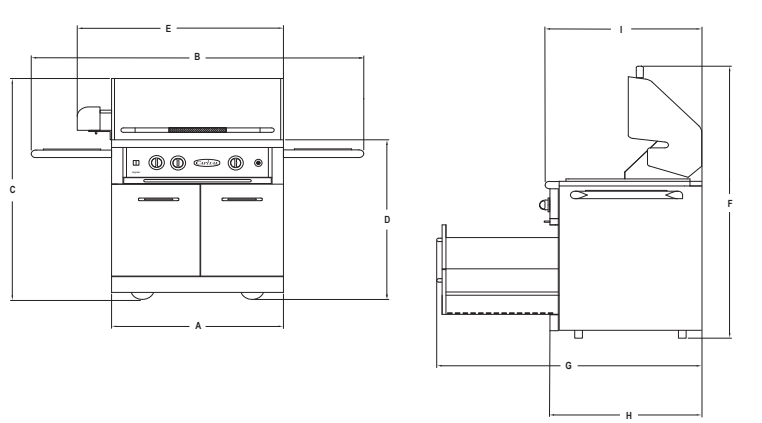
SHIPPING WEIGHT	PSQ30ZRB1	PSQ30RBI	PSQ30ZRC	PSQ30RC
	230 LBS	395 LBS	230 LBS	395 LBS
POWER NEEDS	120 V 60HZ	120V 60HZ	120 V 60HZ	120V 60HZ
GAS NEEDS	TRANSFORMER BOX INCLUDED	TRANSFORMER BOX INCLUDED	TRANSFORMER BOX INCLUDED	TRANSFORMER BOX INCLUDED
NATURAL GAS	1/2" NPT male			
	Operational Pressure 4.0" W.C.			
LP (PROPANE)	1/2" NPT male w/38" flare adaptor			
	LP Hose with Quick Disconnect			
	Operational Pressure 11.0" W.C.			

ORDERING INSTRUCTIONS	WARRANTY
Please specify LP or Natural Gas when ordering	<ul style="list-style-type: none"> <li>A LIFETIME WARRANTY covers all stainless steel components against manufacturing defects. This excludes discoloration or surface corrosion resulting from improper use and/or failure to follow proper maintenance and care instructions found in the use and care guide.</li> <li>5 YEAR WARRANTY covers infrared grill burner and rotisserie burner.</li> <li>2 YEAR WARRANTY covers the radiant plates and all parts.</li> <li>1 YEAR FULL WARRANTY (labor) covers the entire product.</li> </ul> <p>* Please see the use and care guide for complete warranty information.</p>
AVAILABLE ACCESSORIES	
<ul style="list-style-type: none"> <li>SS Griddle Plate</li> <li>Birch Wood Chopping Boards</li> <li>SS Smoker Box</li> <li>Vinyl Covers</li> <li>Access Doors</li> <li>SS Utensil Hooks</li> <li>Built In Double Side Burner</li> <li>24" Built In Wok</li> <li>Insulated Jackets for combustible Island Enclosures</li> <li>Conversion Kits LP and NG</li> </ul>	
GRILL PLACEMENT	
<ul style="list-style-type: none"> <li>DO NOT build grilling island under combustible materials.</li> <li>DO NOT leave a lit grill unattended.</li> <li>For outdoor use only!</li> <li>Use only in well ventilated areas.</li> <li>For insulated jacket cutout diagrams please contact Capital Customer Service.</li> </ul>	

# STANDARD ISLAND CUT OUT DIMENSIONS



MODEL #	COOKING AREA IN SQ. IN.	A	B	C	D	E	F	G	H	I
PSQ52RC	896	52	88	49	36	59	63	52	28	28.25
PSQ52RCBS	690	52	88	49	36	59	63	52	28	28.25
PSQ52RBI	896	52	88	x	x	59	x	x	28	28.25
PSQ52RSBI	690	52	76	x	x	47	x	x	28	28.25
PSQ40RC	690	40	76	49	36	47	63	52	28	28.25
PSQ40RBI	690	40	76	x	x	47	x	x	28	28.25
PSQ30RC	500	30	66	49	36	37	63	52	28	28.25
PSQ30ZRC	500	30	66	49	36	37	63	52	28	28.25
PSQ30RBI	500	30	66	x	x	37	x	x	28	28.25
PSQ30ZRB1	500	30	66	x	x	37	x	x	28	28.25



THE POWER OF PERFORMANCE

13211 Florence Ave. • Santa Fe Springs • CA • 90670 • USA

Toll free: 866-402-4600 • Main: 562-903-1168 • Fax: 562-903-1167 • Email: customerservice@capital-cooking.com • Website: www.capital-cooking.com

\* Due to ongoing product improvements, these specifications are subject to change without notice.

Litho in USA  
87066-01