

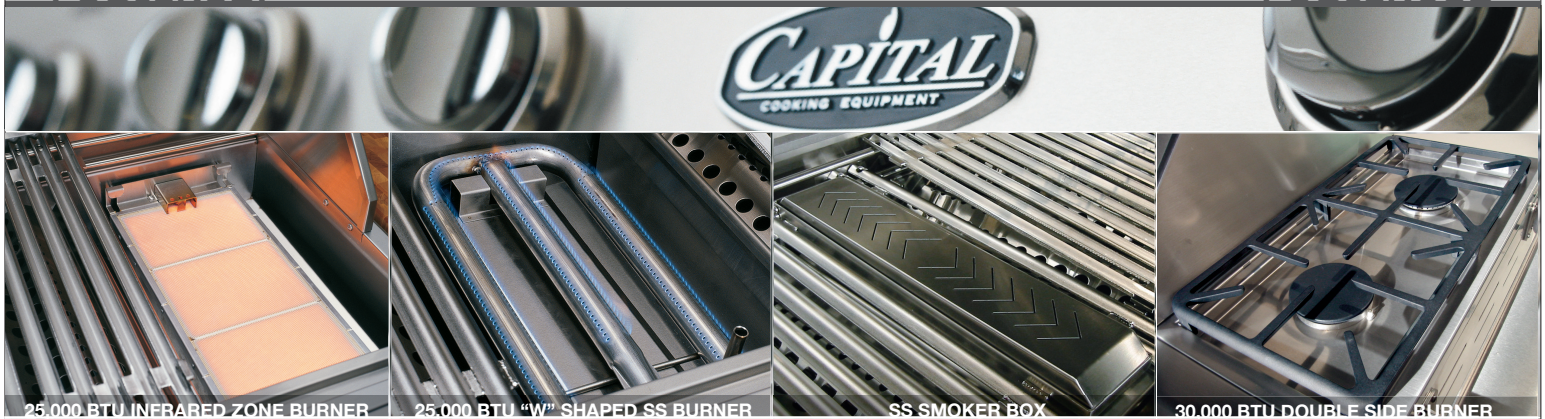
# PERFORMANCE SERIES™

# 52"



PSQ52RSBI

PSQ52RCSB



25,000 BTU INFRARED ZONE BURNER

25,000 BTU "W" SHAPED SS BURNER

SS SMOKER BOX

30,000 BTU DOUBLE SIDE BURNER

**MODELS AVAILABLE:**

**Built In Models:**

- PSQ52RSBI (52" built in grill + 1 rotisserie burner + 2 lights + 2 SS W-burners + 1 Infrared-Zone Burner + 2 integrated 15K BTU side burners)

**Cart Models:**

- PSQ52RCSB (52" grill on cart + 1 rotisserie burner + 2 lights + 2 SS W-burners + 1 Infrared-Zone Burner + 2 integrated 15K BTU side burners)

**FORM:**

- Finest 304 Stainless Steel
- All Seamless Construction
- Chrome Plated Knobs, End Caps, Towel Rack

**FEATURES:**

- 25,000 BTU "W" Shaped SS Burners
- 25,000 BTU Infrared Zone Burner
- 15,000 BTU Flush Mounted Rotisserie Burner
- 30,000 BTU Total Sealed Double Side Burner
- 20 Watt Built in Halogen Lights
- Rapid Fire Electronic Ignition System
- SS Wave Shaped Radiant System Reduces Flare-Ups
- Tru-side™ Grates w/V-shaped grease channeling design
- 50 LB Capacity Rotisserie Motor
- Double-lined Hood Minimizes Discoloration
- Drip Pan Tray on Rollers w/ Internal Spill Trays
- Built Ins and Cart Models Available
- Available in LP or Natural Gas

**MADE IN USA**



**THE POWER OF PERFORMANCE**

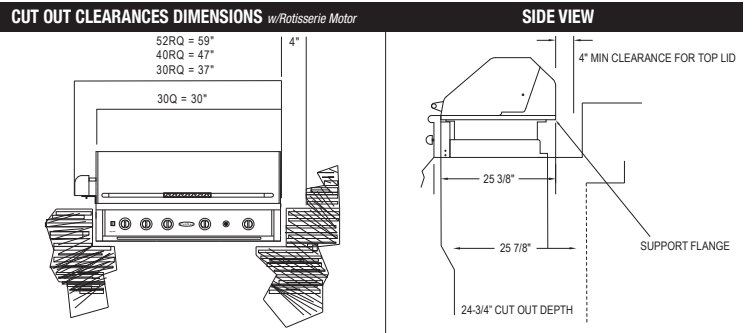
## 52" W/SIDE BURNER

MODEL #	BUILT IN	CART MODEL
	PSQ52RSBI	PSQ52RCSB
GRILLING AREA (SQ. IN.)	690	690
GRILL BURNERS	2 @ 25,000 BTUS EA	2 @ 25,000 BTUS EA
INFRARED SEAR-ZONE	1 @ 25,000 BTUS	1 @ 25,000 BTUS
INFRARED ROTISSERIE BURNER	1 @ 15,000 BTUS	1 @ 15,000 BTUS
SS V-CHANNEL GRATES W/GREASE REDUCTION SYSTEM	STANDARD	STANDARD
INTEGRATED NIGHT LIGHTS	2	2
INTEGRATED DOUBLE SIDE BURNER	2 @ 15K BTUS EA	2 @ 15K BTUS EA
DOUBLE LINED/REINFORCED HOOD	YES	YES
SEAMLESS CONSTRUCTION	YES	YES
DRIP PAN ON ROLLERS	YES	YES
CART WITH STORAGE DRAWERS	N/A	YES
TOTAL BTUS	120,000	120,000

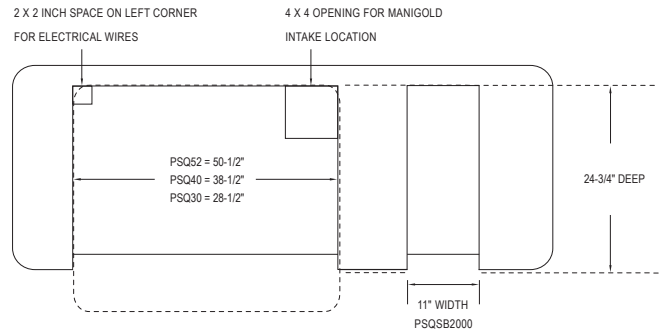
SHIPPING WEIGHT	PSQ52RSBI	PSQ52RCSB
	360 LBS	520 LBS
POWER NEEDS	120 V 60HZ	120V 60HZ
	TRANSFORMER BOX INCLUDED	TRANSFORMER BOX INCLUDED
GAS NEEDS		
NATURAL GAS	1/2" NPT male	Operational Pressure 4.0" W.C.
LP (PROPANE)	1/2" NPT male w/38" flare adaptor	LP Hose with Quick Disconnect
	Operational Pressure 11.0" W.C.	

ORDERING INSTRUCTIONS	WARRANTY
Please specify LP or Natural Gas when ordering	
AVAILABLE ACCESSORIES	<ul style="list-style-type: none"> <li>A LIFETIME WARRANTY covers all stainless steel components against manufacturing defects. This excludes discoloration or surface corrosion resulting from improper use and/or failure to follow proper maintenance and care instructions found in the use and care guide.</li> <li>5 YEAR WARRANTY covers infrared grill burner and rotisserie burner.</li> <li>2 YEAR WARRANTY covers the radiant plates and all parts.</li> <li>1 YEAR FULL WARRANTY (labor) covers the entire product.</li> </ul> <p>* Please see the use and care guide for complete warranty information.</p>
GRILL PLACEMENT	<ul style="list-style-type: none"> <li>DO NOT build grilling island under combustible materials.</li> <li>DO NOT leave a lit grill unattended.</li> <li>For outdoor use only!</li> <li>Use only in well ventilated areas.</li> <li>For insulated jacket cutout diagrams please contact Capital Customer Service</li> </ul>

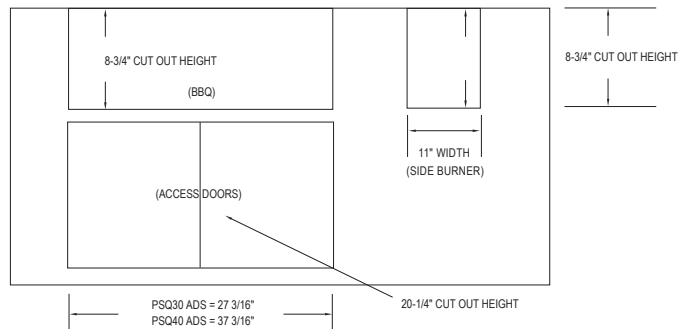
## STANDARD ISLAND CUT OUT DIMENSIONS



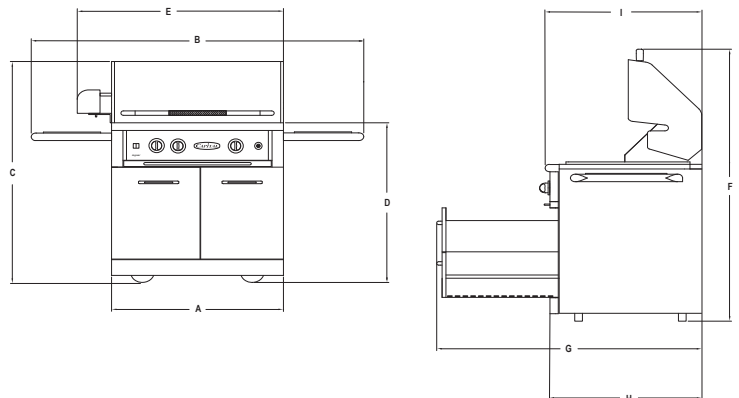
### CUT OUT DIMENSIONS TOP VIEW



### CUT OUT DIMENSIONS FRONT VIEW



MODEL #	COOKING AREA IN SQ. IN.	A	B	C	D	E	F	G	H	I
PSQ52RC	896	52	88	49	36	59	63	52	28	28.25
PSQ52RCSB	690	52	88	49	36	59	63	52	28	28.25
PSQ52RBI	896	52	88	x	x	59	x	x	28	28.25
PSQ52RSBI	690	52	76	x	x	47	x	x	28	28.25
PSQ40RC	690	40	76	49	36	47	63	52	28	28.25
PSQ40RBI	690	40	76	x	x	47	x	x	28	28.25
PSQ30RC	500	30	66	49	36	37	63	52	28	28.25
PSQ30ZRC	500	30	66	49	36	37	63	52	28	28.25
PSQ30RBI	500	30	66	x	x	37	x	x	28	28.25
PSQ30ZRBI	500	30	66	x	x	37	x	x	28	28.25



THE POWER OF PERFORMANCE

13211 Florence Ave. • Santa Fe Springs • CA • 90670 • USA

Toll free: 866-402-4600 • Main: 562-903-1168 • Fax: 562-903-1167 • Email: customerservice@capital-cooking.com • Website: www.capital-cooking.com

\* Due to ongoing product improvements, these specifications are subject to change without notice.

Litho in USA  
87066-03