

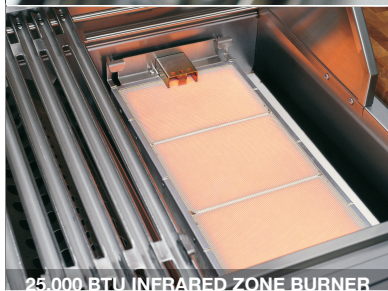
PERFORMANCE SERIES™

40"



PSQ40RBI

PSQ40RC



25,000 BTU INFRARED ZONE BURNER



25,000 BTU "W" SHAPED SS BURNER



SS SMOKER BOX



30,000 BTU DOUBLE SIDE BURNER

MODELS AVAILABLE:

Built In Models:

- PSQ40RBI (40" built in grill + 1 rotisserie burner + 2 lights + 2 SS W-burners + 1 Infrared-Zone Burner)

Cart Models:

- PSQ40RC (40" grill on cart + 1 rotisserie burner + 2 lights + 2 SS W-burners + 1 Infrared-Zone Burner)

FORM:

- Finest 304 Stainless Steel
- All Seamless Construction
- Chrome Plated Knobs, End Caps, Towel Rack

FEATURES:

- 25,000 BTU "W" Shaped SS Burners
- 25,000 BTU Infrared Zone Burner
- 15,000 BTU Flush Mounted Rotisserie Burner
- 20 Watt Built in Halogen Lights
- Rapid Fire Electronic Ignition System
- SS Wave Shaped Radiant System Reduces Flare-Ups
- Tru-side™ Grates w/V-shaped grease channeling design
- 50 LB Capacity Rotisserie Motor
- Double-lined Hood Minimizes Discoloration
- Drip Pan Tray on Rollers w/ Internal Spill Trays
- Built Ins and Cart Models Available
- Available in LP or Natural Gas

 **MADE IN USA**



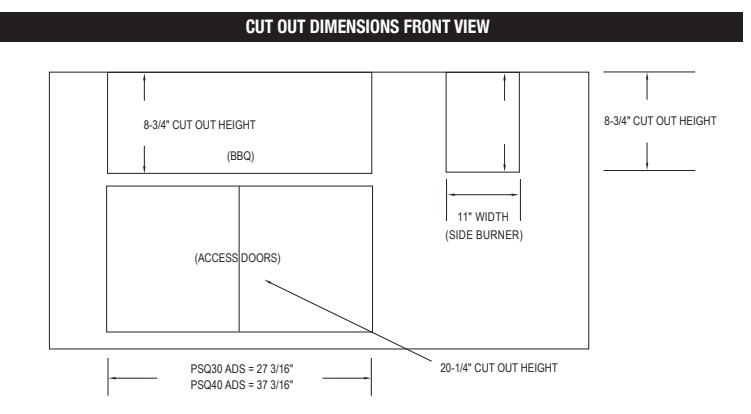
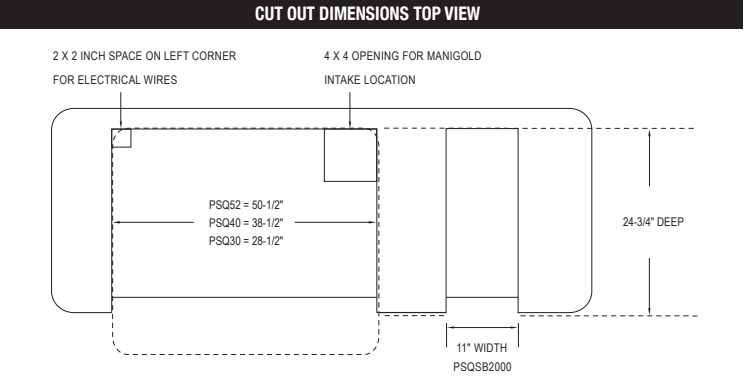
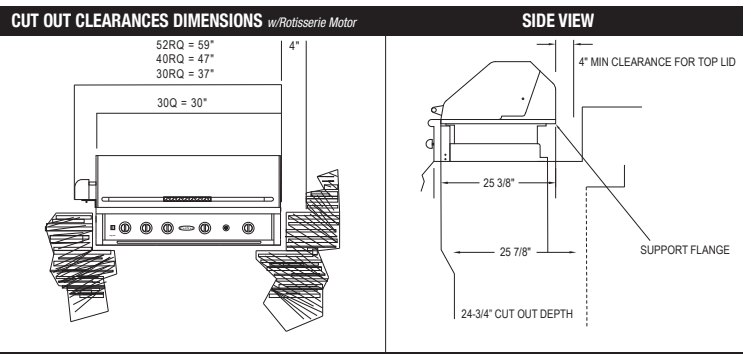
THE POWER OF PERFORMANCE

40" GRILLS

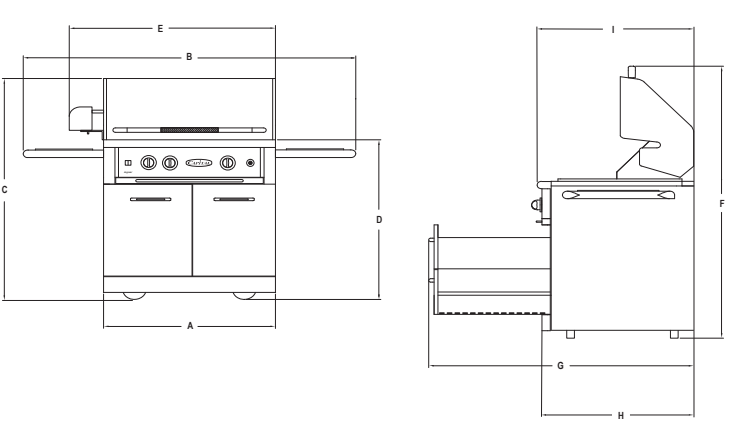
MODEL #	BUILT IN	CART MODEL
	PSQ40RBI	PSQ40RC
GRILLING AREA (SQ. IN.)	690	690
GRILL BURNERS	2 @ 25,000 BTUS EA	2 @ 25,000 BTUS EA
INFRARED SEAR-ZONE	1 @ 25,000 BTUS	1 @ 25,000 BTUS
INFRARED ROTISSERIE BURNER	1 @ 15,000 BTUS	1 @ 15,000 BTUS
SS V-CHANNEL GRATES W/GREASE REDUCTION SYSTEM	STANDARD	STANDARD
INTEGRATED NIGHT LIGHTS	2	2
DOUBLE LINED/REINFORCED HOOD	YES	YES
SEAMLESS CONSTRUCTION	YES	YES
DRIP PAN ON ROLLERS	YES	YES
CART WITH STORAGE DRAWERS	N/A	YES
TOTAL BTUS	90,000	90,000

SHIPPING WEIGHT	PSQ40RBI	PSQ40RC
	285 LBS	500 LBS
POWER NEEDS	120 V 60HZ	120V 60HZ
	TRANSFORMER BOX INCLUDED	TRANSFORMER BOX INCLUDED
GAS NEEDS		
NATURAL GAS	1/2" NPT male	Operational Pressure 4.0" W.C.
LP (PROPANE)	1/2" NPT male w/3/8" flare adaptor	LP Hose with Quick Disconnect
	Operational Pressure 11.0" W.C.	
ORDERING INSTRUCTIONS	WARRANTY	
Please specify LP or Natural Gas when ordering	<ul style="list-style-type: none"> A LIFETIME WARRANTY covers all stainless steel components against manufacturing defects. This excludes discoloration or surface corrosion resulting from improper use and/or failure to follow proper maintenance and care instructions found in the use and care guide. 5 YEAR WARRANTY covers infrared grill burner and rotisserie burner. 2 YEAR WARRANTY covers the radiant plates and all parts. 1 YEAR FULL WARRANTY (labor) covers the entire product. 	
AVAILABLE ACCESSORIES	<ul style="list-style-type: none"> SS Griddle Plate Birch Wood Chopping Boards SS Smoker Box Vinyl Covers Access Doors SS Utensil Hooks Built In Double Side Burner 24" Built In Wok Insulated jackets for combustible Island Enclosures Conversion Kits LP and NG 	
GRILL PLACEMENT	<ul style="list-style-type: none"> DO NOT build grilling island under combustible materials. DO NOT leave a lit grill unattended. For outdoor use only! Use only in well ventilated areas. For insulated jacket cutout diagrams please contact Capital Customer Service 	

STANDARD ISLAND CUT OUT DIMENSIONS



MODEL #	COOKING AREA IN SQ. IN.	A	B	C	D	E	F	G	H	I
PSQ52RC	896	52	88	49	36	59	63	52	28	28.25
PSQ52RCBS	690	52	88	49	36	59	63	52	28	28.25
PSQ52RBI	896	52	88	x	x	59	x	x	28	28.25
PSQ52RSBI	690	52	76	x	x	47	x	x	28	28.25
PSQ40RC	690	40	76	49	36	47	63	52	28	28.25
PSQ40RBI	690	40	76	x	x	47	x	x	28	28.25
PSQ30RC	500	30	66	49	36	37	63	52	28	28.25
PSQ30ZRC	500	30	66	49	36	37	63	52	28	28.25
PSQ30RBI	500	30	66	x	x	37	x	x	28	28.25
PSQ30ZRBI	500	30	66	x	x	37	x	x	28	28.25



THE POWER OF PERFORMANCE

13211 Florence Ave. • Santa Fe Springs • CA • 90670 • USA

Toll free: 866-402-4600 • Main: 562-903-1168 • Fax: 562-903-1167 • Email: customerservice@capital-cooking.com • Website: www.capital-cooking.com

* Due to ongoing product improvements, these specifications are subject to change without notice.

Litho in USA
87066-02