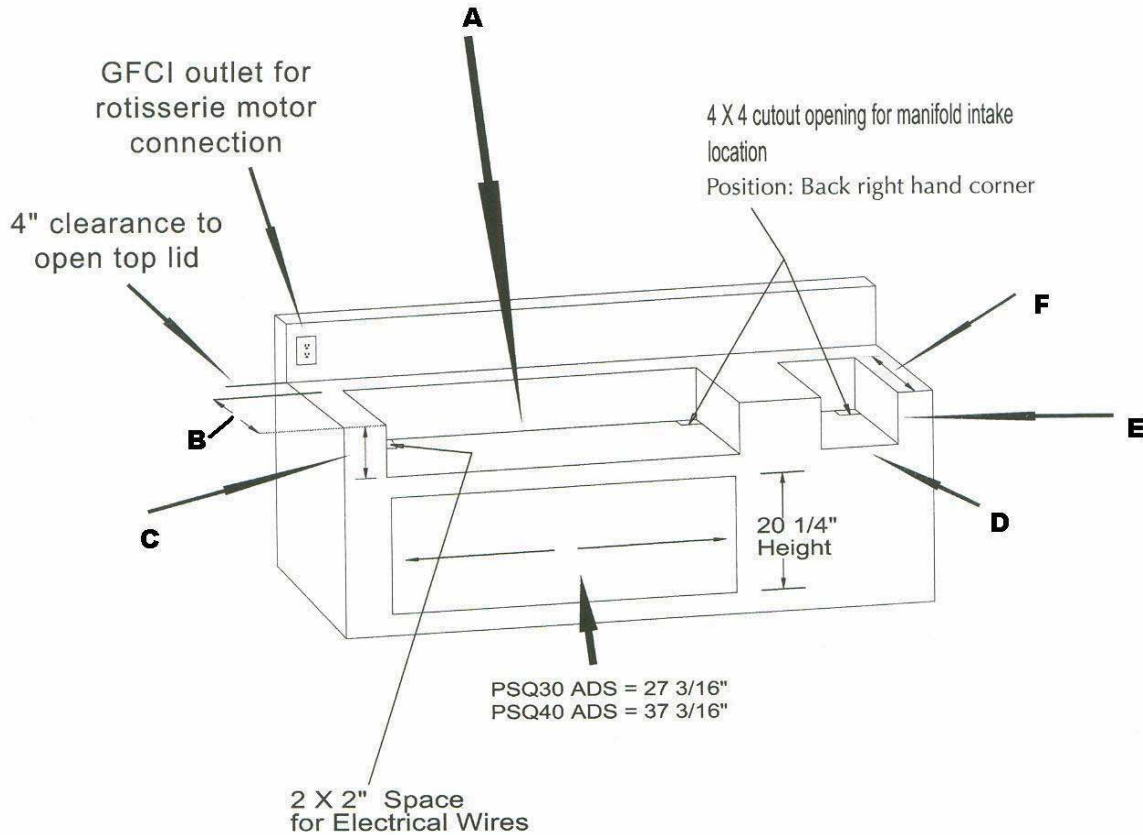


BUILT IN DIMENSIONS



Cut-Out Dimensions for NON-COMBUSTIBLE Installation						
Model #	A	B	C	D	E	F
52" Grill	50 1/2"	24 3/4"	8 3/4"	N/A	N/A	N/A
40" Grill	38 1/2"	24 3/4"	8 3/4"	N/A	N/A	N/A
30" Grill	28 1/2"	24 3/4"	8 3/4"	N/A	N/A	N/A
PSQSB2000	N/A	N/A	N/A	11"	8 3/4"	24 3/4"

Insulated Jacket Cut-Out Dimensions for COMBUSTIBLE Installation						
Model #	A	B	C	D	E	F
52" Grill	52 1/2"	25 5/8"	10"	N/A	N/A	N/A
40" Grill	40 1/2"	25 5/8"	10"	N/A	N/A	N/A
30" Grill	30 1/2"	25 5/8"	10"	N/A	N/A	N/A
PSQSB2000	N/A	N/A	N/A	13 1/8"	10"	25 5/8"