



2007 Product & Design Guide

Version 1.0



#1

IN MORE WAYS
THAN ONE

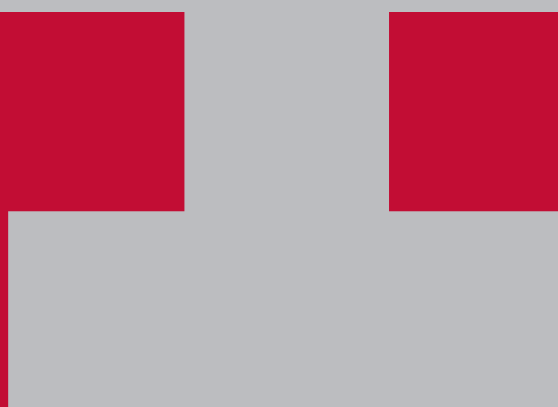


TABLE OF CONTENTS

Dishwashers

Key Selling Features.....	2
D3112	3
(Front Panel Configuration)	
D3122XL	3
(Front Panel Configuration)	
D3432XL	3
(Front Panel Configuration)	
D3232XL / D3232XLFI	4
(Integrated Handle Configuration and Fully Integrated Configuration)	
D3251XLHD / D3251FI / D3251XLFI	4
(Handle Configuration and Fully Integrated Configurations)	
D3531XLHDSS / D3531XLFI	5
(Handle Configuration and Fully Integrated Configuration)	
Encore	
D3731XLHDSS	6
D3731XLFI	6
Accessories.....	7
EasyInstall Dishwashers	8

Laundry: Washers

Key Selling Features.....	9
W6222	10
W6461	10

Laundry: Combination Washer/Dryer

WCAM1812.....	11
Accessories.....	11

Laundry: Dryers

Key Selling Features.....	12
T712	13
T712C	13
T731	13
T741	13
DC7171 Drying Cabinet.....	14
Accessories.....	14

Planning & Design

Dishwashers

D3112	15
D3251FI	15
D3122XL	16
D3432XL	16
D3232XL	16
D3251XLHD.....	16
D3531XLHD.....	16
D3731XLHD.....	16
D3232XLFI	17
D3251XLFI	17
D3531XLFI	17
D3731XLFI	17
Fitting the D3232XLFI, D3251XLFI, D3531XLFI and D3731XLFI Custom Door Panel (4-in Toe Kick)	18
Fitting the D3251FI Custom Door Panel (6-in Toe Kick)	19
D3232XLFI, D3251XLFI, D3531XLFI, D3731XLFI and D3251FI Custom Panel Installation Options	20
XLFI Trim Kit Installation Options	20

Laundry: Washers

W6222	21
W6461	21

Laundry: Combination Washer/Dryer

WCAM1812	22
----------------	----

Laundry: Dryers

T712	23
T731	23
T712C.....	24
T741	24

Stacked Pair/Drying Cabinet Installations

W6222/T712, W6461/T731	25
W6222/T712C, W6461/T741	26
DC7171.....	27

Cabinet/Closet Installations

Drying Cabinet with Stacked Cabinet Installations.....	27
Stacked Installations	28
Single Unit Installations	29
Side-by-side Installations	30



ASKO dishwashers and washers meet the Energy Star® requirements.

DISHWASHERS

Key Selling Features (◆ Exclusive ASKO Features)

- ◆ 20-year life expectancy
- ◆ The Quiet System™ ensures this is the quietest line of dishwashers (50 dBA or better) – D3000 series is even 12% quieter than previous models
- ◆ Exclusive EasyInstall system makes installations quicker and easier. Now with a rear foot that's adjustable from the front
- ◆ Anti-jam, auto-reversing drain pump reduces service calls
- ◆ More 18:9 surgical quality stainless steel components than any other dishwasher (tank filters, spray arms, entire tank, inner door and guide rails)
- ◆ One-piece, sealed, galvanized-steel base pan
- ◆ AquaSafe™ containment system helps to prevent damage to property
- ◆ Counter-saving trim strip (XL models; optional for FI models)
- D3112 and D3251FI are height adjustable from 32-1/4" to 35-1/2", and are ADA (Americans with Disabilities Act) height-compliant
- D3232XLFI, D3251FI, D3251XLFI, D3531XLFI and D3731XLFI accept custom door panels
- Every unit 100% factory tested
- In-line, hidden heating element. No risk of melting plastic items
- Check valve prevents drain flowback
- ◆ Uses 50% less electricity than any other dishwasher, as few as 194 kWh
- ◆ Lowest water consumption, using under 5 gallons in a Normal program and as little as 2.4 gallons in the Quick Wash program
- Separate drain and circulation pumps and motors reduce noise and energy and water consumption
- ◆ Patented Self Cleaning System produces sparkling results without hand pre-rinsing
- ◆ Self-cleaning triple filtration system
- ◆ 7Spray™ or 8Spray™ wash systems ensure that water reaches everywhere in the tank, corner to corner and top to bottom
- ◆ PowerZone™ Pots and Pans ensures that the toughest soil gets removed better than if done by hand
- ◆ PowerZone™ Cutlery Basket thoroughly cleans everything in the cutlery basket
- ◆ AquaLevel™ sensor adds water automatically if a bowl or glass turns over and collects water
- Adjustable rinse agent dispenser with indicator
- Balanced door remains in whatever position is most convenient, e.g., open just far enough to load/unload the top rack
- Four-way adjustable toe kick to line up with cabinetry
- 1/2-load Wash allows you to wash either the upper or lower rack separately; ideal for small loads (select models)
- ◆ Auto wash (D3531XL) – No-worry wash adjusts temperatures and wash times automatically for sparkling dishes. And, first dishwasher that automatically controls dryness.
- SensiClean™ (D3531XL) sensor-controlled washing
- ◆ SensiDry™ (D3531XL) sensor-controlled drying
- ◆ Mix wash (D3531XL) – Wash pots & pans in the lower rack and delicates in the upper rack at the same time
- ◆ CoolTouch (D3531XL) cools dishes to room temperature so hot dishes won't hurt hands
- End-of-program signal for hidden control models

- Express Wash reduces time and energy usage
- FlexiRacks™ that hold 12+ International place settings
- Viscant™-coated baskets with double-coated tine ends
- Deep upper rack holds salad plates and tall ice tea glasses as well as stemware
- Lower rack holds 12" plates
- Removable cutlery basket with lidded small items compartment
- Lower rack rolls completely out of unit for easy access
- Upper rack holds 9-1/2" plates (XL models)
- Accepts second cutlery basket, so stainless steel and silver items can be washed separately

(See individual model specifications for details.)



Encore Dishwasher



D3530FI Dishwasher



design award
winner
2003

D3000 Dishwashers



Warranty:

- 3 YEARS: All parts and labor
 - 5 YEARS: Parts for solid state controls, timers, motors, pumps and racks
 - LIFETIME: Stainless steel tank
- (See Warranty Certificate for complete details.)



D3112 (ADA Tank) (Front Panel Configuration)

COLORS	Black	White	Bisque	Stainless Steel
SKUs	D3112B	D3112W	D3112Q	D3112SS
SHIPPING WT	96 lbs	96 lbs	96 lbs	96 lbs

Key Features (◆ Unique ASKO Features)

- ◆ Unique push-button controls
- 7Spray™ wash system delivers superior cleaning
- Cycle progression indicator
- Adjustable stemware rack
- KidLock™ prevents child from opening door
- Five temperatures: 85°, 120°, 130°, 150°, and 160° F
- Four wash programs



D3122XL* (Front Panel Configuration)

COLORS	Black	White	Stainless Steel
SKUs	D3122XLB	D3122XLW	D3122XLSS
SHIPPING WT	104 lbs	104 lbs	104 lbs

Key Features (◆ Unique ASKO Features)

- ◆ Unique push-button controls
- 7Spray™ wash system delivers superior cleaning
- Turbo Fan Drying System
- Upper rack holds 9-1/2" plates
- Cycle progression indicator
- Adjustable stemware rack
- KidLock™ prevents child from opening door
- Five temperatures: 85°, 120°, 130°, 150°, and 160° F
- Four wash programs
- Fold-down tines in lower basket



D3432XL* (Front Panel Configuration)

COLORS	Black	White	Stainless Steel
SKUs	D3432XLB	D3432XLW	D3432XLSS
SHIPPING WT	107 lbs	107 lbs	107 lbs

Key Features

- 7Spray™ wash system
- Hidden push-button controls
- Turbo Fan Drying System
- Upper rack holds 9-1/2" plates
- End-of-program signal
- Adjustable stemware rack
- Sleek, easy-to-clean control panel
- Seven temperatures: 85°, 105°, 120°, 130°, 150°, 160°, and 170° F
- Six wash programs
- 5-hour delay

* XL models feature a new tall tank.



Integrated handle configuration



D3232XL*/D3232XLFI*

	INTEGRATED HANDLE CONFIGURATION	FULLY INTEGRATED CONFIGURATION
COLORS	Stainless Steel	Optional Panel**
SKU	D3232XLSS	D3232XLFI
SHIPPING WT	113 lbs	108 lbs

Key Features

- Turbo Fan Drying System
- Intergrated handle with TouchProof™ Stainless Steel (SS Model)
- Accepts owner-supplied one-piece custom door panel (FI Model)
- Accepts optional one-piece door (FI Model)
- KidSafe™ prevents child from changing programs
- Hidden push-button controls
- Rinse aid indicator light on panel
- Adjustable stemware rack & knife guard
- Upper rack holds 9-1/2" plates
- Seven temperatures: 85°, 105°, 120°, 130°, 150°, 160°, and 170° F
- Six wash programs
- 7Spray™ wash system delivers superior cleaning
- Delay start: 5 hours
- End-of-program signal



Handle configuration



D3251 shown with optional custom door panel.



D3251XLHD*/D3251FI/D3251XLFI*

	HANDLE CONFIGURATION	FULLY INTEGRATED CONFIGURATIONS	
COLORS	Stainless Steel	Optional Panel**	Optional Panel**
SKU	D3251XLHDSS	D3251FI (ADA Tank)	D3251XLFI
SHIPPING WT	116 lbs	101 lbs	108 lbs

Key Features

- AquaLevel™ Sensor monitors wash water
- Turbo Fan Drying System
- SteamSafe™ controls escaping steam
- Straight towel bar handle with TouchProof™ Stainless Steel (HD Model)
- Accepts owner-supplied one-piece custom door panel (FI Models)
- Accepts optional one-piece door, as shown ((FI Models, see accessories)
- KidSafe™ prevents child from changing programs
- Hidden push-button controls
- Rinse aid indicator light on panel
- Adjustable stemware rack
- Knife Guard
- Upper rack holds 9-1/2" plates (XL Models)
- Seven temperatures: 85°, 105°, 120°, 130°, 150°, 160°, and 170° F
- Six wash programs
- 1/2 Load washing, upper or lower basket only
- Express Wash reduces program time and saves energy
- 7Spray™ wash system delivers superior cleaning
- Delay start: 5 hours
- End-of-program signal

* XL models feature a new tall tank. **Panel installation instructions on pages 19-21.



Handle configuration



Shown with optional custom door panel.



D3531XLHD*/D3531XLFI*

	HANDLE CONFIGURATION	FULLY INTEGRATED CONFIGURATION
COLORS	Stainless Steel	Optional Panel **
SKU	D3531XLHDSS	D3531XLFI
SHIPPING WT	125 lbs	117 lbs

Key Features (◆ Unique ASKO Features)

- ◆ Mixed Load cycle washes delicate items on top and pots and pans on bottom
- ◆ Safe & Handy™ Upper Cutlery Basket
- ◆ CoolTouch system cools items after dry cycle
- ◆ Interior light
- ◆ SensiClean™ – sensor-controlled washing program (Auto Wash)
- ◆ SensiDry™ – sensor-controlled drying program (Auto Wash)
- ◆ LCD display
- Upper rack holds 9-1/2" plates
- 10 wash programs
- Nine wash & rinse temperatures from Cold to 170° F
- 8Spray™ wash system delivers superior cleaning with minimal water usage
- China guard
- Adjustable tines in upper & lower racks
- Split cup shelf
- Straight towel bar handle with TouchProof™ Stainless Steel (HD Model)
- Accepts owner-supplied one-piece custom door panel (FI Model)
- Accepts optional one-piece door, as shown (FI Model, see accessories)
- Delay start: 1/2 to 24 hours

* XL models feature a new tall tank. **Panel installation instructions on pages 19-21.



Handle configuration



Shown with optional custom door panel.



Encore

	HANDLE CONFIGURATION	FULLY INTEGRATED CONFIGURATION
COLOR	Stainless Steel	Optional Panel**
SKU	D3531XLHDSS*	D3731XLFI*
SHIPPING WT	125 lbs	117 lbs

Key Features (◆ Unique ASKO Features)

- ◆ Patented PowerZones™ (2)
- ◆ Exclusive Easy Install System
- ◆ Interior light eases loading and unloading
- Hidden controls
- Self-cleaning triple filtration system
- Separate circulation and drain pumps
- 7 Spray™ System
- AquaLevel™ Sensor monitors wash water
- Nine wash & rinse temperatures from Cold to 170° F
- Six programs
- Express option
- Delay start: 1/2 to 24 hours
- Turbo Fan Drying System
- FlexiRacks™ ensure random loading
- Removable inserts (4) for lower baskets
- Adjustable stemware inserts (3)
- Adjustable dinnerware insert (1)
- Lower basket holds thick/heavy, 14" plates
- Adjustable upper cutlery basket
- 18:9 stainless steel tank, filter and spray arms
- In-line (hidden) SS heating element
- Anti-jam, auto-reversing drain pump
- Galvanized steel base pan
- Balanced door eases loading & unloading
- SteamSafe™ controls escaping steam
- KidSafe™ prevents changing programs
- Adjustable end-of-program signal
- Straight towel bar handle with TouchProof™ Stainless Steel (HD Model)
- Accepts owner-supplied one-piece custom door panel (FI Model)
- Accepts optional one-piece door, as shown (FI Model, see accessories)



* XL models feature a new tall tank. **Panel installation instructions on pages 19-21.

OPTIONAL DISHWASHER ACCESSORIES

Curved Handle for Fully Integrated Dishwashers

8073718-0 White 8073718-29 Black
 8073718-84 Bisque 8073718-82 Brass-Like 8073718-95 Stainless Steel



One-Piece Door with Handle for FI Dishwashers

XLFI:*

8080306-0 White
 8080306-86 Black
 8080306-91 Stainless Steel**
 8080172-91 Stainless Steel**
 with straight handle
 8080109-91 Stainless Steel**
 with integrated handle

See page 19 for specifications.

D3251FI:*

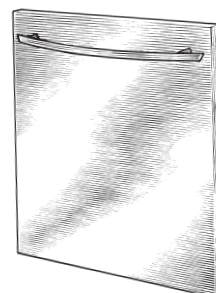
(28-1/4" H x 23-3/8" W x 5/8" D)
 8080303-0 White
 8080303-86 Black
 8080303-91 Stainless Steel**
 8080169-91 Stainless Steel**
 with straight handle
 8078981-91 Stainless Steel**
 with integrated handle

See page 20 for specifications.

D3251FI:

(30-1/8" H x 23-3/8" W x 5/8" D)
 8075367-0 White
 8075367-86 Black
 8075367-84 Bisque
 8075367-95 Stainless Steel
 Panel extends approx. 2"
 above controls.

See page 20 for specifications.



*Panels mount flush with top of control panel. **New TouchProof™ Stainless Steel.

XLFI Top & Side Fill Strips, Stainless Steel

8077317-95 (Works with 8076697 ASKO door panels)
 8078982-95 (Works with owner supplied custom panels)

Attaches to top and sides of XLFI models to allow installations in 24" wide openings.
 Includes counter-saving top trim strip. See page 21 for installation instructions.



ADA FI Side Fill Strips, Stainless Steel

Only available for D3251FI
 8075045-95

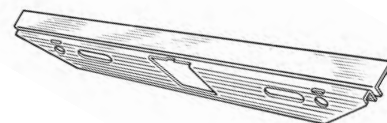
Fills gap when FI unit installed in 24" wide opening. Kit includes both left- and right-side strips.



Metal Top Fill Strip

Only available for D3251FI (Works with 8076697 ASKO door panels)
 8073869-95

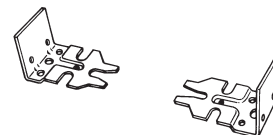
Attaches to top of FI units and fills gap between tank and counter top.



Dishwasher Tip Guard

8070851

Secures dishwasher when it's not possible to attach it to cabinetry or counter top. Sold individually.



Heavy-Duty Door Springs for FI Dishwashers

8060232-77 (Yellow); Standard Tank, 3-12 lbs.; XL Tall Tank, 1-8 lbs.
 8076163-77 (Blue); Standard Tank, 15-24 lbs.; XL Tall Tank, 12-20 lbs.
 Provide additional support for custom panels. Sold individually.



Replacement Dishwasher Baskets

8801236-36

Upper basket for all models; has a split cup rack and a stemware rack.

8078644-36

Lower basket for all models; has adjustable tines.

8801239-77

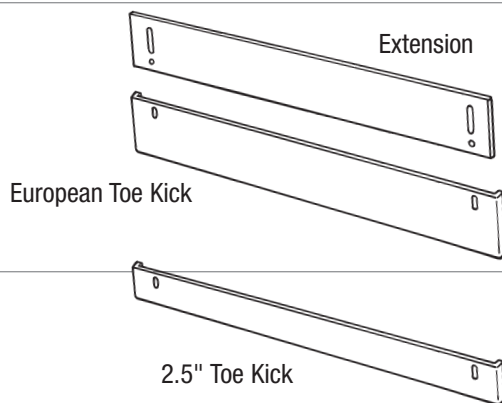
Cutlery basket for all models.

OPTIONAL DISHWASHER ACCESSORIES

European Toe Kick (Two Pieces)

8070121-0 Extension 8057528-0 Toe Kick
 White European toe kick to accommodate 6" toe space on model D3251FI. Two pieces are 23-1/2" wide.

8070121-86 Extension 8057528-29 Toe Kick
 Black toe kick for same installation. Two pieces are 23-1/2" wide.



2.5" Toe Kicks

For special installations (D3112, D3251FI).

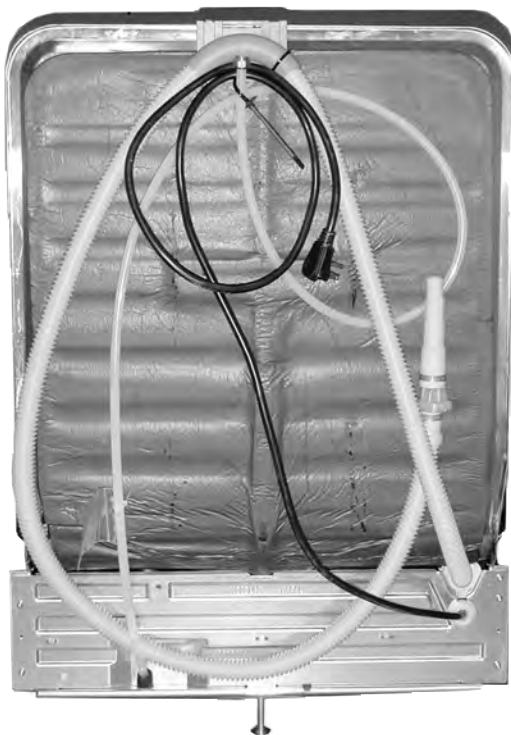
805SC-W White 805SC-B Black 805SC-M Titanium

EASYINSTALL™ DISHWASHERS

ASKO's dishwashers come with all the connections you need. We've eliminated the need to get into the electrical and mechanical area, which makes installation simple and quick. If a dishwasher is being installed in an area for the first time, most of the cabinetwork, plumbing, and electrical has to be done before you move the machine into place. If you are replacing an old dishwasher, you must check the plumbing connection and wiring before you install the new dishwasher.

This system has these components which have been approved by regulatory authorities (cULus):

- Over 5' of Pex hose that replaces the water-inlet copper tubing. It has a 3/8"-compression fitting that mates with a 3/8" shut-off valve. Length: 5'2" from back of unit.
- Over 6' of drain hose with an adaptable drain connection. The high loop is built into this hose on the back of the unit. Length: 6'6" from back of unit.
- A 6' long electrical cord with standard, 3-pronged, 120V plug. This eliminates the need to wire anything under the unit.
- Front-adjustable rear leg. You can raise or lower the rear leg from the front of the unit simply by using a flat-head screwdriver to rotate the adjusting screw.



Back of ASKO dishwasher with EasyInstall system.



Pex hose with 3/8" brass fitting.



Front-adjustable rear leg.



Already wired with a standard three-pronged plug.



Drain hose with multiple size adaptor.

ULTRACARE™ CLOTHES WASHERS

Key Selling Features Of Every ASKO Washer (◆ Exclusive Features)

- ◆ 20-year life expectancy
- ◆ Large, easy-access door opening
- ◆ Quick Wash program washes smaller or lightly-soiled loads in only 35 minutes, yet uses as little as 5.7 gallons of water and 0.3kWh (2¢) of electricity
- ◆ Normal program washes full loads and rinses three times in only 45 minutes with only 9.3 gallons of water and 0.9kWh (6¢) of electricity.
- ◆ Quattro™, four-shock suspension, Automatic Load Balancing System, cast-iron counterweights, and heavy-duty bearings control load balancing and provide virtually vibration-free spin cycles for quiet operation – also prevent walking and allow for stacking of units
- ◆ Solid rubber SmartSeal™ door gasket eliminates troublesome bellows gasket seal that can leak and collect detergent and soil residue
- ◆ Uses less electricity than most other washers (according to DOE and FTC test procedures)
- ◆ Multiple, adjustable programs
 - Additional plug or wiring is unnecessary because ASKO dryer has 220V receptacle for ASKO washer. This eliminates the need to purchase an expensive dual-outlet splitter box or to have an additional 220V line run for the washer.
 - Capacity as large as any top-loader: up to 14 bath towels
 - Smaller exterior size and quiet operation allow for installation in more convenient locations, e.g., in closets or under counters in bathrooms, utility rooms, and kitchens
 - Tumble action, precise temperature controls, optimal wash time, less detergent and elimination of bleach produce significantly cleaner, fresher-smelling laundry and extend the life and beauty of clothing
- High-lift ribs raise laundry to optimal height before dropping into water, increasing wash action effectiveness. Ribs also shower laundry with water to enhance cleaning action
- Sensor Level Control System automatically determines the correct amount of water for every load
- Can save 15,000 gallons of water annually. Quick Wash uses 5.7 gallons per load on average; Normal Wash uses 9.3. Typical old-style agitators use an average of 44 and domestic front loaders use 28.
- An ASKO washer can save over \$200 annually in water, electricity, detergent, and bleach costs.
- Stainless steel, electro-polished interior drum is snag-free, more gentle to clothes, and more durable than porcelain or plastic
- Built-in water heater provides optimal temperatures (Cold, 85° – 205° F) for better cleaning and energy savings by eliminating need to use home's less-efficient water heater
- Cold-water fill helps remove protein stains, such as blood, as well as wine and grape juice
- High spin speeds (up to 1,600 rpm) remove up to 94% of water that can be extracted by centrifugal force (spinning) – reducing time and energy consumed by dryer and extending life and beauty of clothing
- Up to seven rinses remove virtually every trace of detergent and soil
- Both units can run off a single, standard 30 amp circuit
- Child-proof controls and electronic door latch
- Easy-to-reach, out-front controls
- Anti-jam, auto-reversing drain pump reduces service calls

- Rust- and chip-proof stainless steel inner and outer tanks
- Automatic detergent and fabric softener dispenser
- Removable, washable detergent compartment
- Stackable when paired with ASKO dryer (kit included with dryer)
- Every unit 100% factory tested
- cULus approved



W6461 Washer
2005



W660 Washer & T760 Dryer
2001



W6661 Washer & T761 Dryer
2002



Warranty:

3 YEARS: All parts and labor

5 YEARS: Parts for electronic controls, timers, motors & pumps

LIFETIME: Stainless steel drum

(See Warranty Certificate for complete details.)



ASKO dishwashers and washers meet the Energy Star® requirements.



W6222

COLORS	White	Titanium
SKUs	W6222	W6222T
SHIPPING WT	161 lbs	161 lbs

Key Features (◆ Unique Features)

- ◆ Newest Easy Control™ system with Smooth dial, 3 option buttons and LED display window
- ◆ 10 programs are printed around the Smooth dial on the control panel
- ◆ Three option features (buttons): 6 temperatures (cold - 205°F), 3 spin speeds (0/800/1200), super-rinse (+2 rinse to any cycle)
- Program memory remembers last program & options selected and automatically repeats program unless changed.
- Sensisave™ ensures the lowest water & energy use (“A” rated)
- Quattro™ suspension with SmartSeal™
- Drop-down outer Convenience Door
- LED display shows remaining cycle time
- 6-way Aqua Block System for water security



W6461

COLORS	White	Titanium	Titanium Stainless	Stainless Steel
SKUs	W6461	W6461T	W6461TS	W6461SS
SHIPPING WT	174 lbs	174 lbs	174 lbs	184 lbs

Key Features (◆ Unique Features)

- ◆ EasyControl™ system with program dial, option buttons and LED window
- ◆ 11 programs are printed around knob on control panel.
- ◆ Six option features (buttons) are denoted on detergent drawer: temperature, spin speed, delay start, Super rinse, high water and anti-crease.
- ◆ LED window shows temperature, estimated remaining time, spin speeds, and available options.
- New Anti-Crease program (first ever in a washer) greatly reduces wrinkles before clothing goes in the dryer. After the last spin, the tank rotates for three seconds every minute for up to two hours or until the door is opened.
- Remembers last program used and automatically repeats program unless changed.
- Time delay start (1-24 hours)
- Seven wash temperature options (85° F to 205° F)
- 400-1600 rpm spin speeds, adjustable
- SensiSave water & energy saving system
- Program interrupt, add-an-item feature



WCAM1812 combination washer/dryer

COLORS White

SKUs WCAM1812

SHIPPING WT 195 lbs

Key Features

- Independent controls provide wash-only, dry-only or combo wash/dry options
- Large capacity
- Three spin speeds: 550, 800 and 1200 rpm
- Easy controls – fully electronic
- Stainless steel inner and outer tank
- Internal water heater with temperature boost to 140° F
- Four shock absorber suspension
- Three rinses plus extra rinse option
- Seamless transition from washing to drying
- Condensation drying – no external venting required
- 110/115 volts, 15 amp
- Cycle progression indicator light
- ADA height compliant
- cULus approved

LAUNDRY ACCESSORIES

Steel Laundry Platform

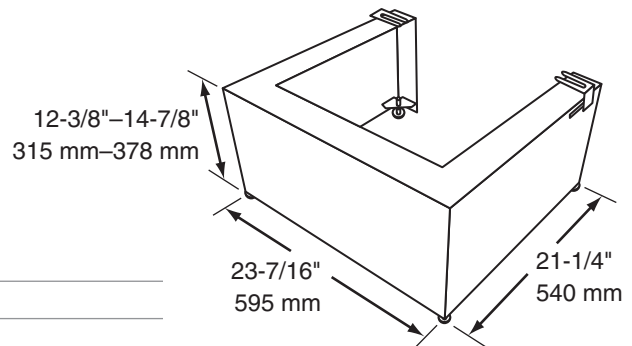
8052000-1 White

8052000-3 Titanium

Platform increases the height of a single unit by 12-3/8"–14-7/8".
Has four adjustable feet.

Dimensions

	US	METRIC
HEIGHT	12-3/8"–14-7/8"	315–378 mm
WIDTH	23-7/16"	595 mm
DEPTH	21-1/4"	540 mm



ecoVantage Laundry Detergent

1800902

Superior Formula and Performance

- The only laundry detergent that has an oxygenated cleaning agent in a perfume- and dye-free (sensitive) formula
- Environmentally friendly
- Front-loader compatible
- HE (High Efficiency)
- Money-back guarantee
- Easy to handle, easy to store
- Seven-pound plastic pail with handle
- Will do approximately 120 loads
- Kosher approved





DC7171 Drying Cabinet



W660 Washer & T760 Dryer



W6661 Washer & T761 Dryer
2002



ULTRACARE™ CLOTHES DRYERS

(All units are electric)

Key Selling Features Of Every ASKO Dryer (◆ Exclusive Features)

- ◆ 20-year life expectancy
- ◆ Butterfly Drying™ System's offset paddles help move clothing from front-to-back and back-to-front in drum to prevent wrinkles. One-direction rotation also extends motor life
- ◆ Cleanable air-flow fan
- ◆ Adjustable cool down for every heated cycle
- Additional plug or wiring is unnecessary because ASKO dryer has 220V receptacle for ASKO washer. This eliminates the need to purchase an expensive dual-outlet splitter box or to have an additional 220V line run for the washer. (Dryer power cord not supplied.)
- Stainless steel, electro-polished interior drum is snag-free, more gentle to clothes, and more durable than porcelain or plastic
- Anti-crease program reduces wrinkles
- Large capacity drum also reduces wrinkles
- Can be stacked when paired with ASKO washer – stacking kit included
- Up to 90 minute, time-controlled drying program
- Air, low and normal temperature programs
- End-of-program buzzer
- Air (fluff) drying program
- Three-way venting increases installation options
- Easy-to-reach, out-front controls
- Easy-access, double lint filter
- Flush, swing-out door can be hinged on left or right
- Only needs one 220V, 30 amp outlet (like any standard US dryer)
- Every unit 100% factory tested
- cULus approved

Laundry Warranty:

3 YEARS: All parts and labor

5 YEARS: Parts for electronic controls, timers, motors and pumps

LIFETIME: Stainless steel drum

(See Warranty Certificate for complete details.)

Do not pair with a top-loading washer; those washers spin too slowly to remove enough moisture to allow for efficient drying.



T712 (Vented) / T712C (Ventless)

	VENTED		VENTLESS	
COLORS	White	Titanium	White	Titanium
SKUs	T712	T712T	T712C	T712CT
SHIPPING WT	86 lbs	86 lbs	104 lbs	104 lbs

Key Features (◆ Unique Features)

- ◆ Newest Easy Control™ system with Smooth dial, 3 option buttons and LED window
- ◆ SensiDry™ drying system – new drying sensors provide the gentlest and most accurate drying technology available
- ◆ Six programs are printed around dial on control panel – 4 automatic programs, 2 timed programs
- ◆ Three option features (buttons): Temperature (low-normal), Anti-Crease (120 minutes), Delay Start (5 hours), End-of-Program buzzer
- ◆ Program memory remembers last program & options selected and automatically repeats program unless changed
 - T712 vents 3 ways
 - T712 exhausts to 60 feet (see page 23)
- ◆ Four-way Aqua-Block Water Containment System (T12C)
 - Internal moisture condenser system eliminates need for exterior wall venting (T12C)



T731 (Vented) / T741 (Ventless)

	VENTED				VENTLESS
COLORS	White	Titanium	Titanium Stainless	Stainless Steel	White
SKUs	T731W	T731T	T731TS	T731SS	T741W
SHIPPING WT	86 lbs	86 lbs	86 lbs	96 lbs	104 lbs

Key Features (◆ Unique Features)

- ◆ EasyControl™ system with program dial, option buttons and LED window
- ◆ Six programs are printed around knob on control panel
- ◆ Six option features (buttons) are identified on sticker inside door: timed drying (5-90 mnts.), Anti-Crease, Delay Start (1-24 hours), temperature (low-normal), end-of-program buzzer, and cool-down cycle
- ◆ LED window shows: SensiDry™ program selected, time when a timed-drying program selected, number of minutes when Air Fluff selected, “End” when program is completed, and “C” when in cool-down cycle
 - T731 vents 3 ways
 - T731 exhausts to 60 feet (see page 23)
- ◆ Four-way Aqua-Block Water Containment System (T741)
 - Internal moisture condenser system eliminates need for exterior wall venting (T741)
 - Remembers last program used and automatically repeats program unless changed

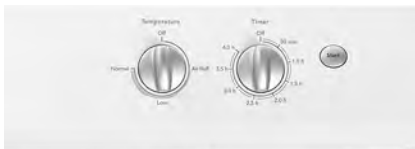


Drying Cabinet

COLORS	White	Titanium
SKUs	DC7171	DC7171T
SHIPPING WT	133 lbs	133 lbs

Key Features (◆ Unique Features)

- ◆ Timed Dry Cycle: Up to 4 hours
- ◆ Three temperature options: Normal, Low, Air Fluff
- ◆ Folding, pull-out hangers give you the equivalent of more than 50 feet of clothes line
- ◆ Accessories included: bar for hangers, glove hanger, hanger rod on door
- ◆ Optional stainless steel shoe rack available
- ◆ Very Quiet - 60 dB(A)
- ◆ Very energy efficient
 - cULus approved



The ASKO Drying Cabinet, DC7171, is designed to dry those items that are not made to dry in a conventional tumble dryer, things that you hang dry or lay flat to dry. The Drying Cabinet can also dry those wet and damp clothes, shoes, boots, gloves and hats that get wet even though they weren't washed. They are very quiet, very efficient, and match our washers and dryers perfectly.

LAUNDRY ACCESSORIES

White Space Trim Kit

8063981-0

Installs between stacked pair to provide a single unit appearance.

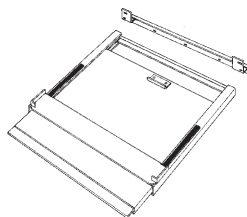
Slide-Out Shelf

8061907-0 White

8061907-81 Titanium

Installs between stacked pair.

Extends 15" from units. Adds 2" to the height of stacked laundry units.



Shoe Rack

67000621

Stainless steel shoe rack for drying cabinet floor.



ADA TANK MODELS

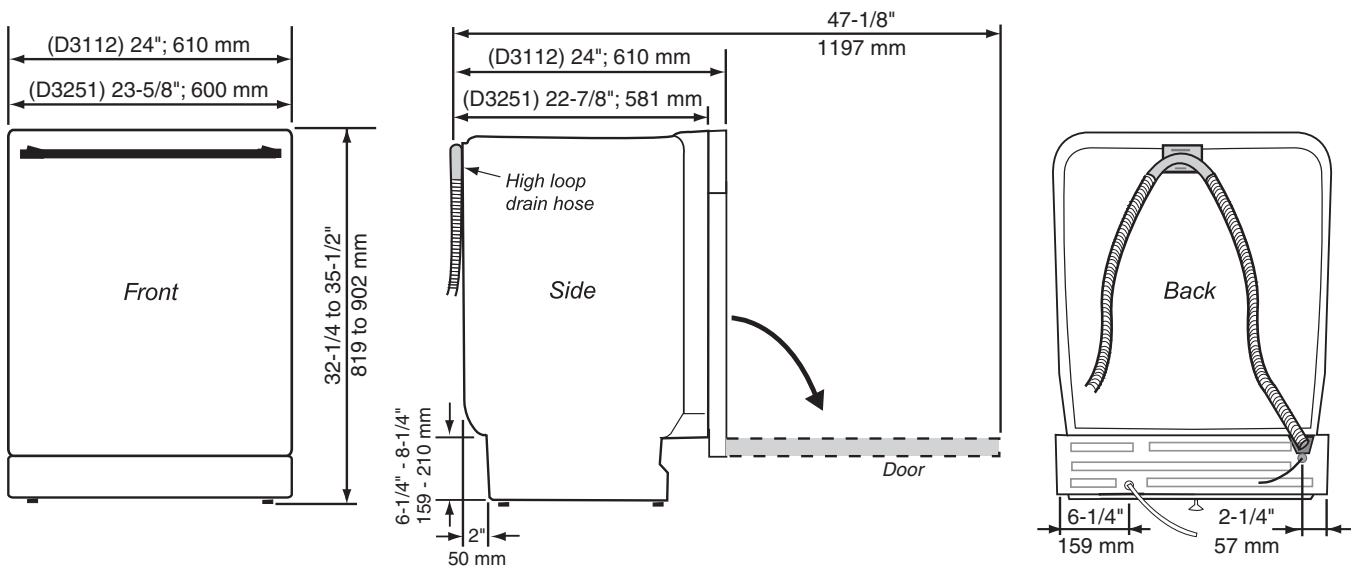
Planning & Design: Dishwashers D3112, D3251FI

Unit Dimensions

	US	METRIC
HEIGHT	32-1/4" to 35-1/2"	819 to 902 mm
WIDTH: D3112	24"	610 mm
D3251FI	23-5/8"	600 mm
DEPTH: D3112	24"	610 mm
D3251FI	22-7/8"	581 mm
DEPTH W/DOOR OPEN	47-1/8"	1197 mm
WEIGHT: D3112	96 lbs	44 kg
D3251FI	101 lbs	46 kg

Technical Data

Electricity	120V, 60Hz, 15 amp
Water pressure	18-176 psi
Heating element	1200 watt
Max loading	1300 watt



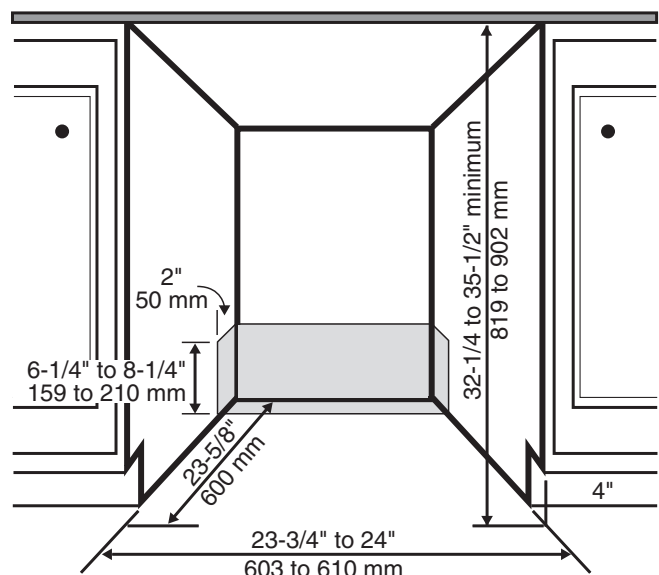
Cutout Dimensions

	US	METRIC
HEIGHT	32-1/4" to 35-1/2"	819 to 902 mm
WIDTH: D3112	24"	610 mm
D3251FI	23-3/4" to 24"	603 to 610 mm
DEPTH	23-5/8"	600 mm

*This depth allows a 1" (25 mm) space for the high-loop drain hose.

NOTE: Maintain a 1/8" (3 mm) minimum clearance between unit and cabinet.

The electrical and water supplies should enter through the area indicated by the shaded area. Preferably, they should come through the right side of the machine. The access hole must be round and smooth and no bigger than 2" in diameter.



TALL TANK MODELS

Planning & Design: Dishwashers

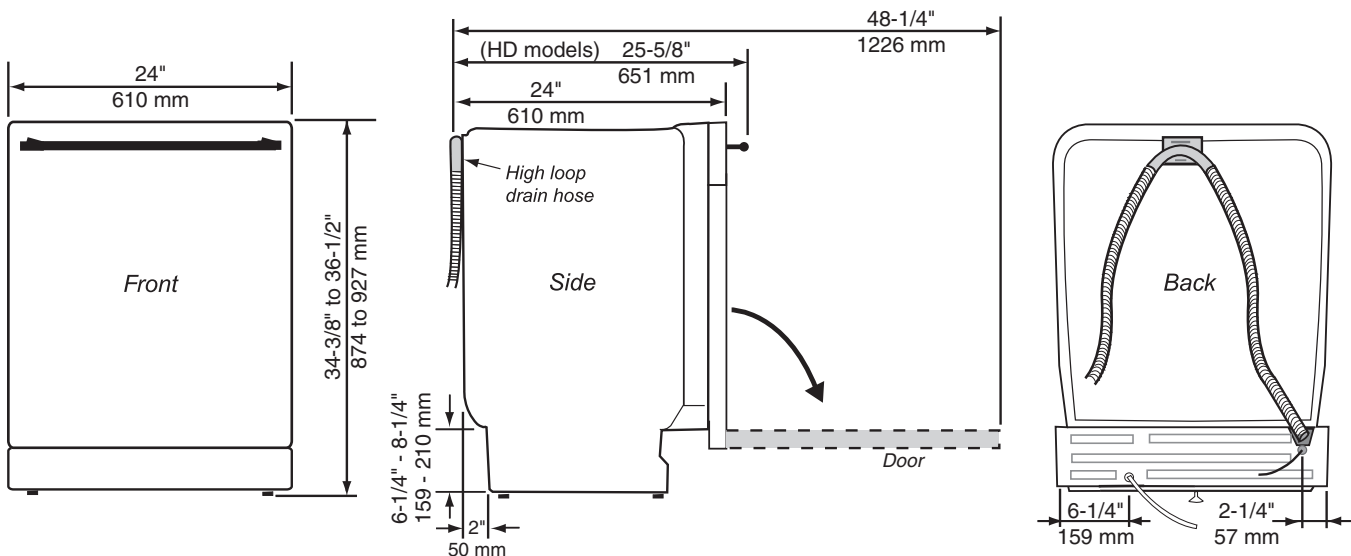
D3122XL, D3432XL, D3232XL, D3251XLHD, D3531XLHD, D3731XLHD

Unit Dimensions

	US	METRIC
HEIGHT	34-3/8" to 36-1/2"	874 to 927 mm
WIDTH	24"	610 mm
DEPTH	24"	610 mm
DEPTH W/HANDLE (HD)	25-5/8"	651 mm
DEPTH W/DOOR OPEN	48-1/4"	1226 mm
WEIGHT: D3122XL	104 lbs	47 kg
D3432XL	107 lbs	48 kg
D3232XL	113 lbs	51 kg
D3251XLHD	116 lbs	53 kg
D3531XLHD/D3731XLHD	125 lbs	57 kg

Technical Data

Electricity	120V, 60Hz, 15 amp
Water pressure	18-176 psi
Heating element	1200 watt
Max loading	1300 watt



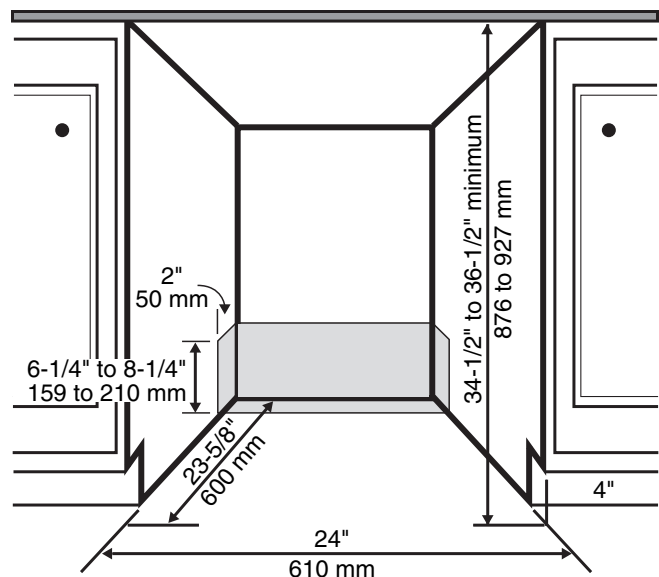
Cutout Dimensions

	US	METRIC
HEIGHT	34-1/2" to 36-1/2"	876 to 927 mm
WIDTH	24"	610 mm
DEPTH	23-5/8"	600 mm

*This depth allows a 1" (25 mm) space for the high-loop drain hose.

NOTE: Maintain a 1/8" (3 mm) minimum clearance between unit and cabinet.

The electrical and water supplies should enter through the area indicated by the shaded area. Preferably, they should come through the right side of the machine. The access hole must be round and smooth and no bigger than 2" in diameter.



Specifications are subject to change without notice. See installation instructions for additional details.

TALL TANK MODELS

Planning & Design: Dishwashers

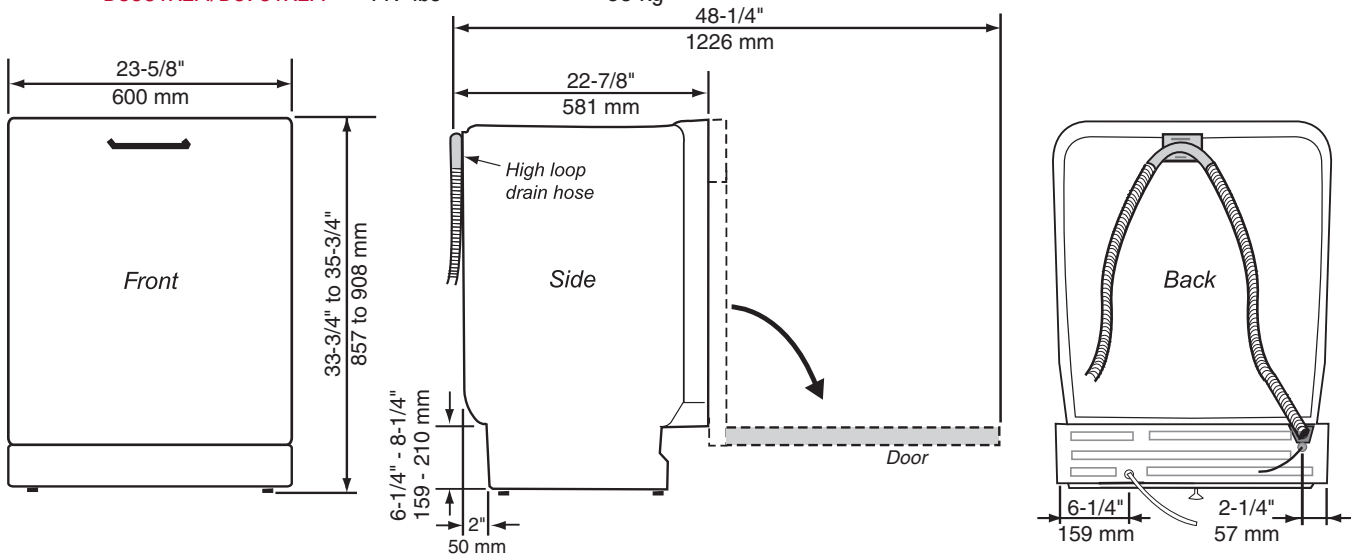
D3232XLFI, D3251XLFI, D3531XLFI, D3731XLFI

Unit Dimensions

	US	METRIC
HEIGHT*	33-3/4" to 35-3/4"	857 to 908 mm
WIDTH	23-5/8"	600 mm
DEPTH	22-7/8"***	581 mm
DEPTH W/DOOR OPEN	48-1/4"	1226 mm
WEIGHT: D3232XLFI	108 lbs	49 kg
D3251XLFI	111 lbs	50 kg
D3531XLFI/D3731XLFI	117 lbs	53 kg

Technical Data

Electricity	120V, 60Hz, 15 amp
Water pressure	18-176 psi
Heating element	1200 watt
Max loading	1300 watt



**Does not include the depth of a custom or optional door. If an ASKO optional door is used, add 2-1/2" (63.5 mm) to the depth.

Custom Front Panels

The D3232XLFI, D3251XLFI, D3531XLFI and D3731XLFI can only be installed with a fully-integrated custom door panel that extends from the toe kick to the counter top. A one-piece custom door panel with a curved handle is available (see page 7).

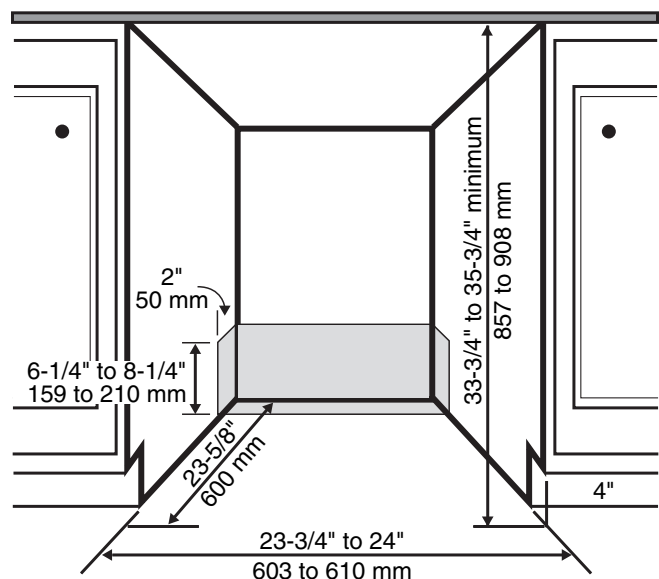
Refer to page 19 for instructions on how to install the custom panels.

Cutout Dimensions

	US	METRIC
HEIGHT*	33-3/4" to 35-3/4"	857 to 908 mm
WIDTH	23-3/4" to 24"	603 to 610 mm
DEPTH	23-5/8"	600 mm

NOTE: Maintain a 1/8" (3 mm) minimum clearance between unit and cabinet.

The electrical and water supplies should enter through the area indicated by the shaded area. Preferably, they should come through the right side of the machine. The access hole must be round and smooth and no bigger than 2" in diameter.



*If an accessory fill strip is used, then 3/8" (9.5 mm) must be added to dishwasher height and cutout height.

Specifications are subject to change without notice. See installation instructions for additional details.

Planning & Design: Dishwashers

FITTING THE D3232XLFI, D3251XLFI, D3531XLFI AND D3731XLFI ASKO-MADE OR CUSTOM DOOR PANEL – 4-INCH TOE KICK

The D3232XLFI, D3251XLFI, D3531XLFI and D3731XLFI can be installed with a fully-integrated, buyer-supplied custom door panel or ASKO accessory panel (see page 7) that extends from the toe kick to the counter top. The unit comes with everything needed to make installing the door panel easy. The door is predrilled for the panel's mounting screws.

The custom panel should be a minimum of 3/4" (19 mm) thick.

Items Provided With The Unit

- Two 3/8" screws
- Four 1-3/4" screws

CUSTOM PANEL DIMENSIONS

WIDTH	23-1/2" (597 mm)*
HEIGHT	30-1/8" (765 mm) (Measured from the top of the panel to the lower edge of the kitchen cabinet.)
THICKNESS	3/4" (19 mm)
WEIGHT	Up to 15 lbs Up to 20 lbs with accessory spring

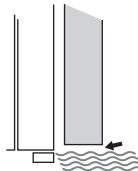
Installing The Custom Panel or ASKO Accessory Panel – 4-Inch Toe Kick

Before fitting the door panel, the dishwasher must be installed underneath the cabinet. After you've made the required measurements, pull the machine out again to install the panel.

Refer to the illustration at right for instruction references.

1. Fit the handle (A) onto the panel according to the manufacturer's instructions. (NOTE: A handle should be used rather than a knob, because a knob does not provide enough grip.)

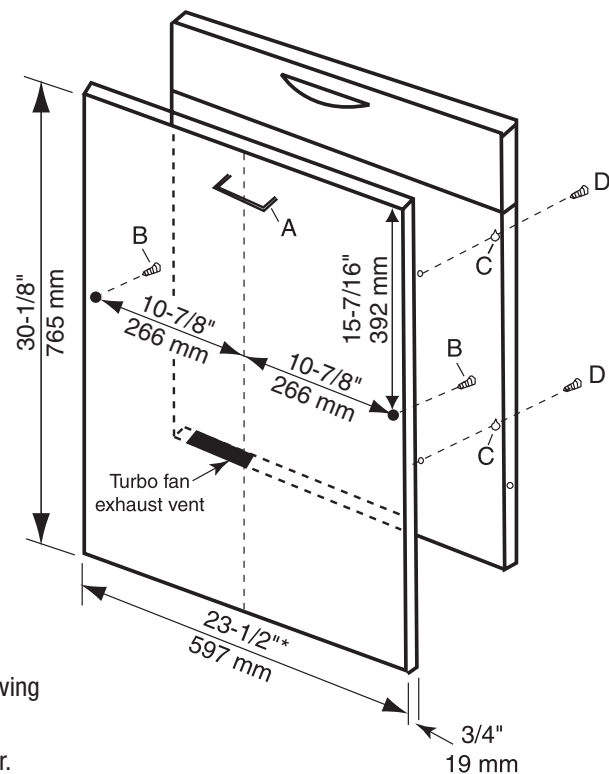
IMPORTANT! The custom panel must not obstruct the fan exhaust vent; otherwise, moisture from the vent could eventually damage the cabinet and create drying problems.



2. The two short screws (B) go into the back of the panel, 15-7/16" (392 mm) from the upper edge of the panel and 10-7/8" (266 mm) from the center of the panel. Insert the short screws into the panel, leaving 1/8" (3 mm) of space between the screw head and the panel.
3. Hook the panel screws (D) into the keyholes (C) on the dishwasher door.
4. Slide the panel to the left until it is centered in the opening, and secure the screws.
5. Open the door and use the four screws (D) supplied to secure the panel to the door.

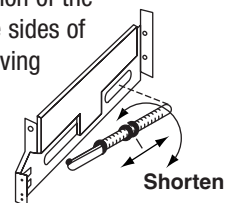
NOTE: If the door panel weighs more than 15 pounds, you may need to order the heavy-duty door springs. (See page 7.)

*Max panel width cannot exceed cutout dimensions less 1/8" (2.5 mm) reveal on each side.



Adjusting The Door Springs

Before you push the dishwasher into the cabinet opening, test the door to make sure it stays in place at any angle. If it tends to fall down, pull out the machine and adjust the tension of the door springs on the sides of the machine by moving them one hole farther back or by twisting the spring to make it shorter.



Specifications are subject to change without notice. See installation instructions for additional details.

Planning & Design: Dishwashers

FITTING THE D3251FI (ADA TANK) ASKO-MADE OR CUSTOM DOOR PANEL – 6-INCH TOE KICK

The D3251FI can be installed with a fully-integrated, buyer-supplied custom door panel or ASKO ADA accessory panel (see page 7) that extends from the toe kick to the counter top. The unit comes with everything needed to make installing the door panel easy. The door is predrilled for the panel's mounting screws.

The custom panel should be a minimum of 3/4" (19 mm) thick.

Items Provided With The Unit

- Two 3/8" screws
- Four 1-3/4" screws

CUSTOM PANEL DIMENSIONS

WIDTH	23-1/2" (597 mm)*
HEIGHT	28-1/8" (714 mm) (Measured from the top of the panel to the lower edge of the kitchen cabinet.)
THICKNESS	3/4" (19 mm)
WEIGHT	Up to 18 lbs Up to 24 lbs with accessory spring

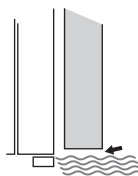
Installing The Custom Panel – 6-Inch Toe Kick

Before fitting the custom panel, the dishwasher must be installed underneath the cabinet. After you've made the required measurements, pull the machine out again to install the panel.

Refer to the illustration at right for instruction references.

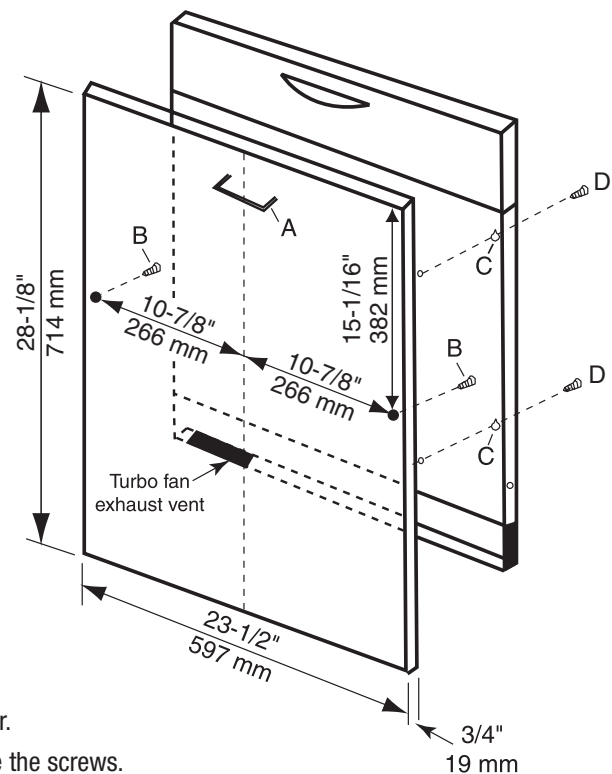
1. Fit the handle (A) onto the panel according to the manufacturer's instructions. (NOTE: A handle should be used rather than a knob, because a knob does not provide enough grip.)

IMPORTANT! The custom panel must not obstruct the fan exhaust vent; otherwise, moisture from the vent could eventually damage the cabinet and create drying problems.



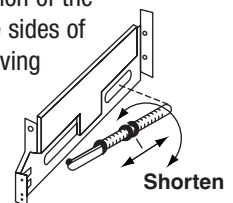
2. The two short screws (B) go into the back of the panel, 15-1/16" (382 mm) from the upper edge of the panel and 10-7/8" (266 mm) from the center of the panel. Insert the short screws into the panel, leaving 1/8" (3 mm) of space between the screw head and the panel.
3. Hook the panel screws (D) into the keyholes (C) on the dishwasher door.
4. Slide the panel to the left until it is centered in the opening, and secure the screws.
5. Open the door and use the four screws (D) supplied to secure the panel to the door.

NOTE: If the door panel weighs more than 18 pounds, you may need to order the heavy-duty door springs. (See page 7.)



Adjusting The Door Springs

Before you push the dishwasher into the cabinet opening, test the door to make sure it stays in place at any angle. If it tends to fall down, pull out the machine and adjust the tension of the door springs on the sides of the machine by moving them one hole farther back or by twisting the spring to make it shorter.



*Max panel width cannot exceed cutout dimensions less 1/8" (2.5 mm) reveal on each side.

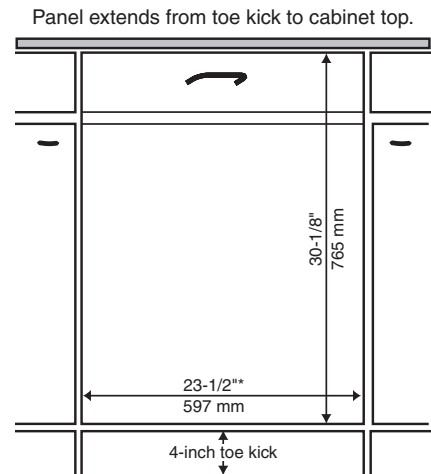
Planning & Design: Dishwashers

D3232XLFI, D3251XLFI, D3531XLFI AND D3731XLFI DOOR PANEL INSTALLATION OPTIONS

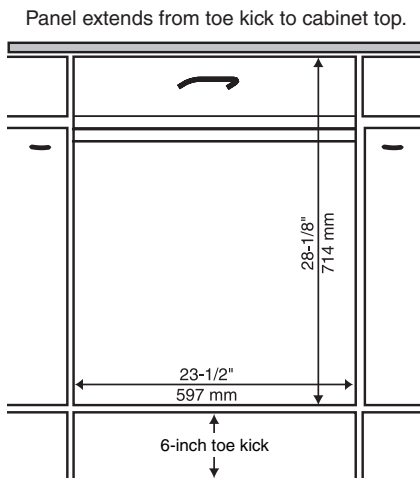
4-inch Toe Kick Installations

Custom panels that extend to cabinet top

The preferred installation option for a 4" toe kick is to extend the custom panel to the cabinet top (as illustrated). A one-piece ASKO accessory panel with a curved handle is available for 4-inch toe kick installations (see page 7).



D3251FI DOOR PANEL INSTALLATION OPTIONS

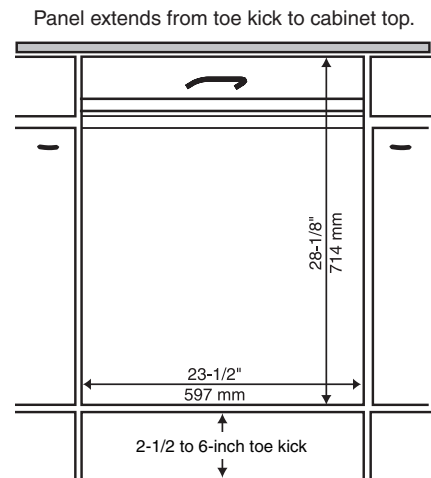


6-inch Toe Kick Installations

For 6" toe kick installations, no decorative fill strips or support strips are necessary.

ADA-Type Installations

For cabinet openings of 32-1/4" (819 mm) to 35-1/2" (902 mm).



XLFI TRIM KIT INSTALLATION OPTIONS

ASKO XLFI dishwashers can be installed either with or without accessory fill strips depending on the type of installation. If the dishwasher cutout has been cut to European widths of 23-5/8", the units won't require fill strips. If the dishwasher cutout is a standard 24" wide, we have fill strips that make the unit 24" wide.



ASKO Accessory Panel Installation

The ASKO accessory fill kit 8077317-95, which includes the counter saver fill strip and both side fill strips, should be installed in the back mounting holes.



Custom Wood Panel Installation

The ASKO accessory fill kit 8078982-95, which includes the counter saver fill strip and both side fill strips, should be installed in the front mounting holes.

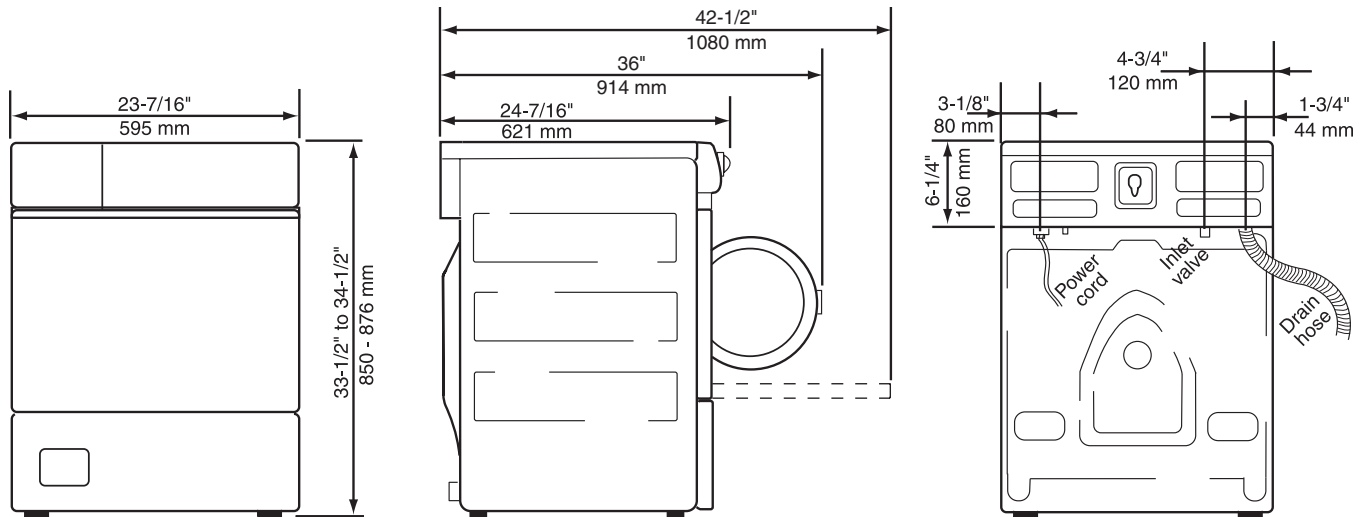
Specifications are subject to change without notice. See installation instructions for additional details.

Planning & Design: Washers W6222, W6461

Unit Dimensions

	US	METRIC
HEIGHT	33-1/2"–34-1/2"	850–876 mm
WIDTH	23-7/16"	595 mm
DEPTH	24-7/16" *	621 mm
DEPTH W/DOOR OPEN	42-1/2"	1080 mm
WEIGHT	167 lbs	73 kg

*Includes 1" for control knob.



Technical Data

Supply voltage	Single-phase 220 V, 60 Hz
Water Pressure	15-146 psi
Heating element	2000 W
Power cord (attached)	220 V, 20 Amp

Every ASKO washer is delivered ready-fitted with a plug and is intended for connection to an ASKO dryer, which is equipped with a matching receptacle. If the washer is used separately or with another dryer, it must be on a separate 220 V, 20 Amp single-phase circuit.

Second-floor (above grade) installations must meet all local building codes.

When placing the washer next to a wall or cabinet, be sure to leave 1/2" (12 mm) of space between the washer and the wall or cabinet.

See pages 26–27 for stacked washer/dryer dimensions.

See pages 28–30 for cutout dimensions for closet and under-cabinet installations.

Planning & Design: Combination Washer/Dryer

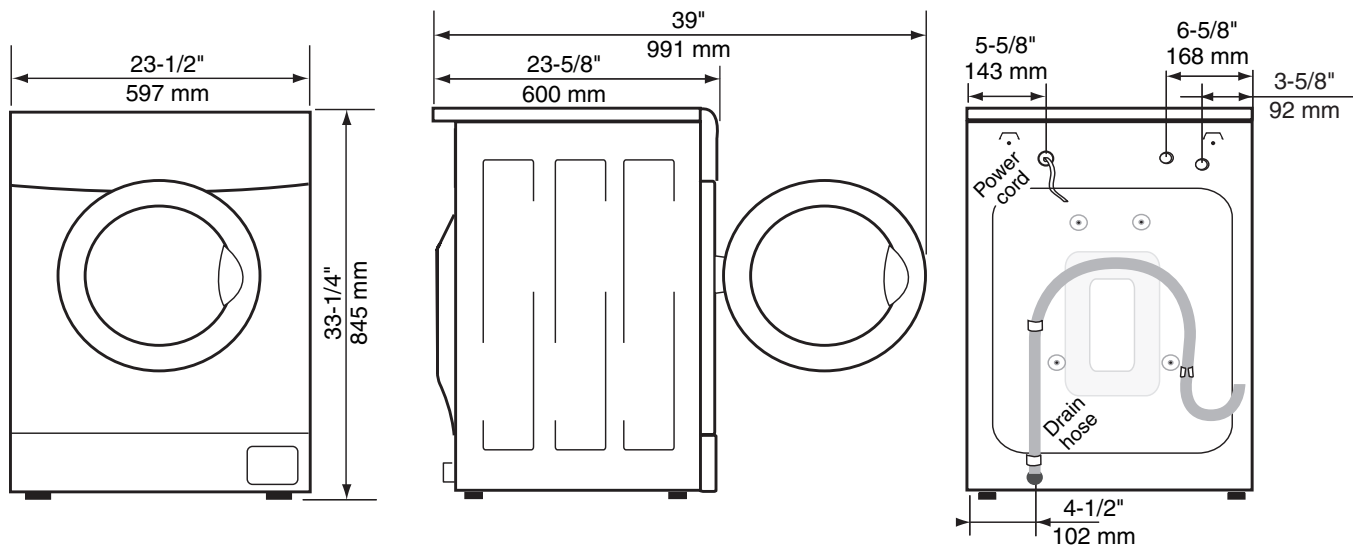
WCAM1812

Unit Dimensions

	US	METRIC
HEIGHT	33-1/4"–34"	845 mm to 864 mm
WIDTH	23-1/2"	597 mm
DEPTH	23-5/8"	600 mm
DEPTH W/DOOR OPEN	39"	991 mm
WEIGHT	195 lbs	88 kg

Technical Data

Supply voltage	Single-phase 115 V, 60 Hz
Water Pressure	15-142 psi
Heating element	1400 W on dryer 1200 W on washer
Power cord (attached)	115 V, 15 Amp



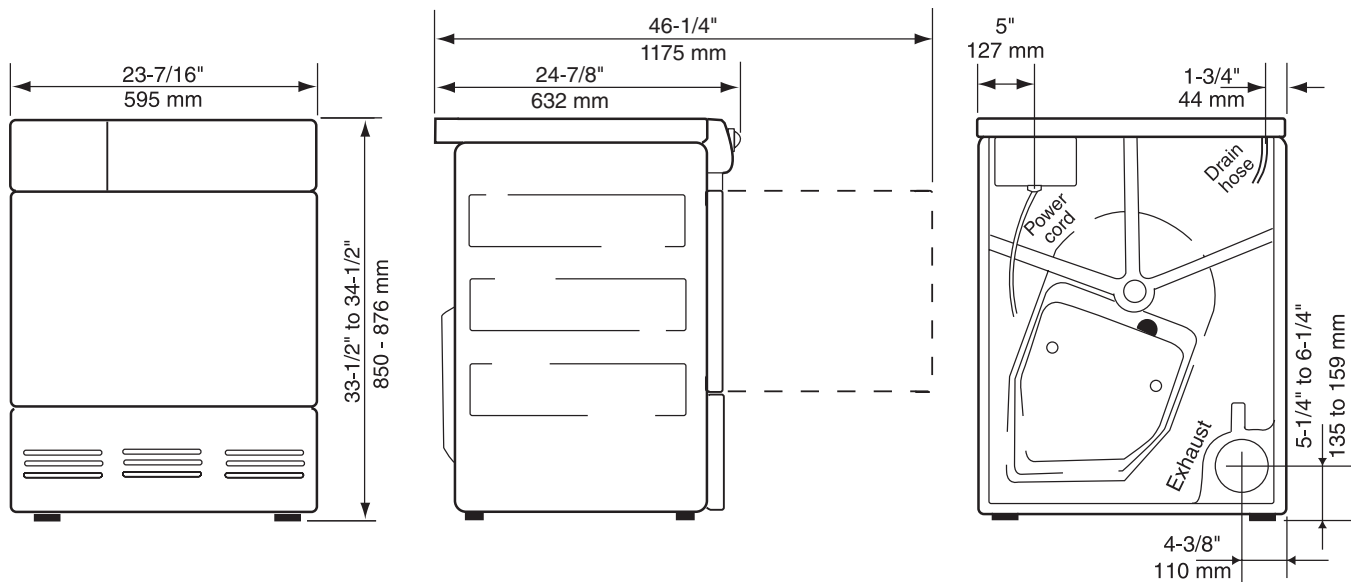
Planning & Design: Dryers

T712, T731 vented dryers

Unit Dimensions

	US	METRIC
HEIGHT	33-1/2"–34-1/2"	850–876 mm
WIDTH	23-7/16"	595 mm
DEPTH	24-7/8" *	632 mm
DEPTH W/DOOR OPEN	46-1/4"	1175 mm
WEIGHT	86 lbs	39 kg

*Includes 1" for control knob.



Technical Data

Supply voltage	Single-phase 220 V, 60 Hz
Heating element	2500 W (3000 W for T731)

NOTE: When on a separate outlet, use 220 V, 20 Amp single-phase circuit. When an ASKO washer is connected, use 220 V, 30 Amp single-phase circuit.

The door hinges on ASKO dryers are shipped left-hinged, but they are reversible. See the Dryer Use and Care Guide for more information.

When placing the dryer next to a wall or cabinet, be sure to leave 1/2" (12 mm) of space between the dryer and the wall or cabinet.

See page 26 for stacked washer/dryer dimensions.

See pages 28–30 for cutout dimensions for closet and under-cabinet installations.

NOTE: Power cord not supplied with unit.

Venting Requirements

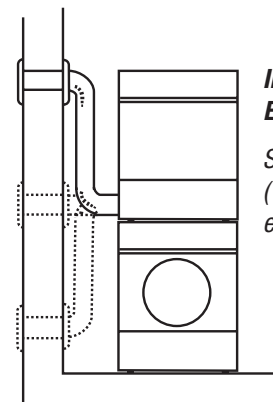
WARNING! To reduce the risk of fire, vented dryers must be exhausted **OUTDOORS** or the equivalent.

Never cover the end of the dryer stub or vent hose with anything to catch lint, except for a UL-approved vent basket.

The exhaust hose should be run with as few bends as possible to the point of discharge. If necessary, it can be extended to a maximum of 60 feet (1829 cm) of 4 in (10 cm) diameter ridged pipe. Make any bends as gentle as possible. A maximum of four 90° bends may be fitted in the hose, otherwise the performance of the dryer will be impeded. Subtract 4 feet of exhaust hose for every 90° elbow.

If the exhaust hose is taken to a wall outlet, a ventilation grill should be fitted to prevent reverse flow of cold air. Fit the ventilation grill to the outside or inside of the wall.

This appliance should not be exhausted into a chimney, a wall, a ceiling, or a concealed space of a building. Only a metal ventilation grill should be used.



Installation Examples

Subtract 4 feet (122 cm) for every 90° elbow.

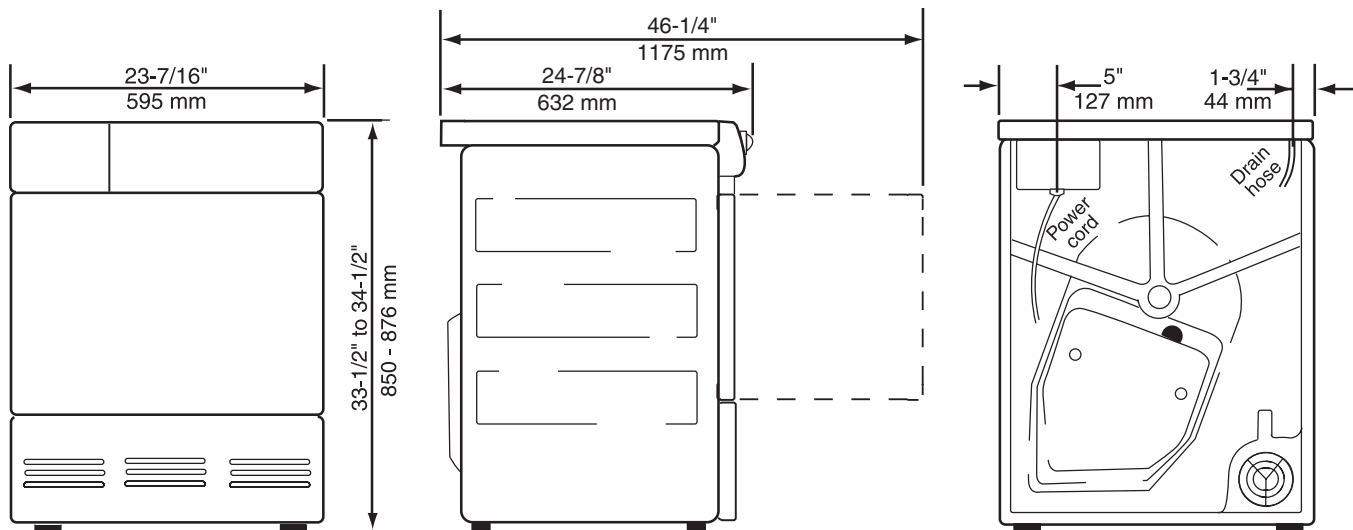
Planning & Design: Dryers

T712C, T741 condenser dryers (ventless)

Unit Dimensions

	US	METRIC
HEIGHT	33-1/2"–34-1/2"	850–876 mm
WIDTH	23-7/16"	595 mm
DEPTH: T712C	24-7/8" *	632 mm
T741	24-7/8" *	632 mm
DEPTH W/DOOR OPEN	46-1/4"	1175 mm
WEIGHT	103 lbs	47 kg

*Includes 1" for control knob.



Technical Data

Supply voltage	Single-phase 220 V, 60 Hz
Heating element	2500 W

NOTE: When on a separate outlet, use 220 V, 20 Amp single-phase circuit. When an ASKO washer is connected, use 220 V, 30 Amp single-phase circuit.

The door hinges on ASKO dryers are shipped left-hinged, but they are reversible. See the Dryer Use and Care Guide for more information.

When placing the dryer next to a wall or cabinet, be sure to leave 1/2" (12 mm) of space between the dryer and the wall or cabinet.

See page 27 for stacked washer/dryer dimensions.

See pages 28–30 for cutout dimensions for closet and under-cabinet installations.

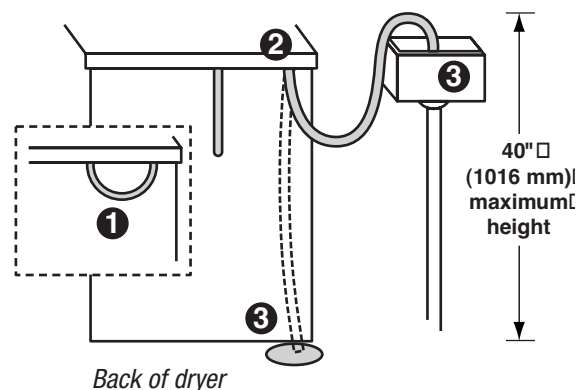
NOTE: Power cord not supplied with unit.

NOTE: The drain hose must not be more than 40" above the floor or the bottom of the unit.

Condensation Drain Requirements

You must install the dryer so the condensed water will continuously flow into a drain or sink. To do this, follow the instructions below:

1. Disconnect the short hose (1) from the blue connection. (It's okay to let the hose hang down.)
2. Connect the rubber hose supplied with the dryer to the blue nipple (2).
3. Run the hose to a drain or sink, as illustrated.



Specifications are subject to change without notice. See installation instructions for additional details.

Planning & Design: Stacked Laundry Pairs

W6222/T712, W6461/T731 vented dryers

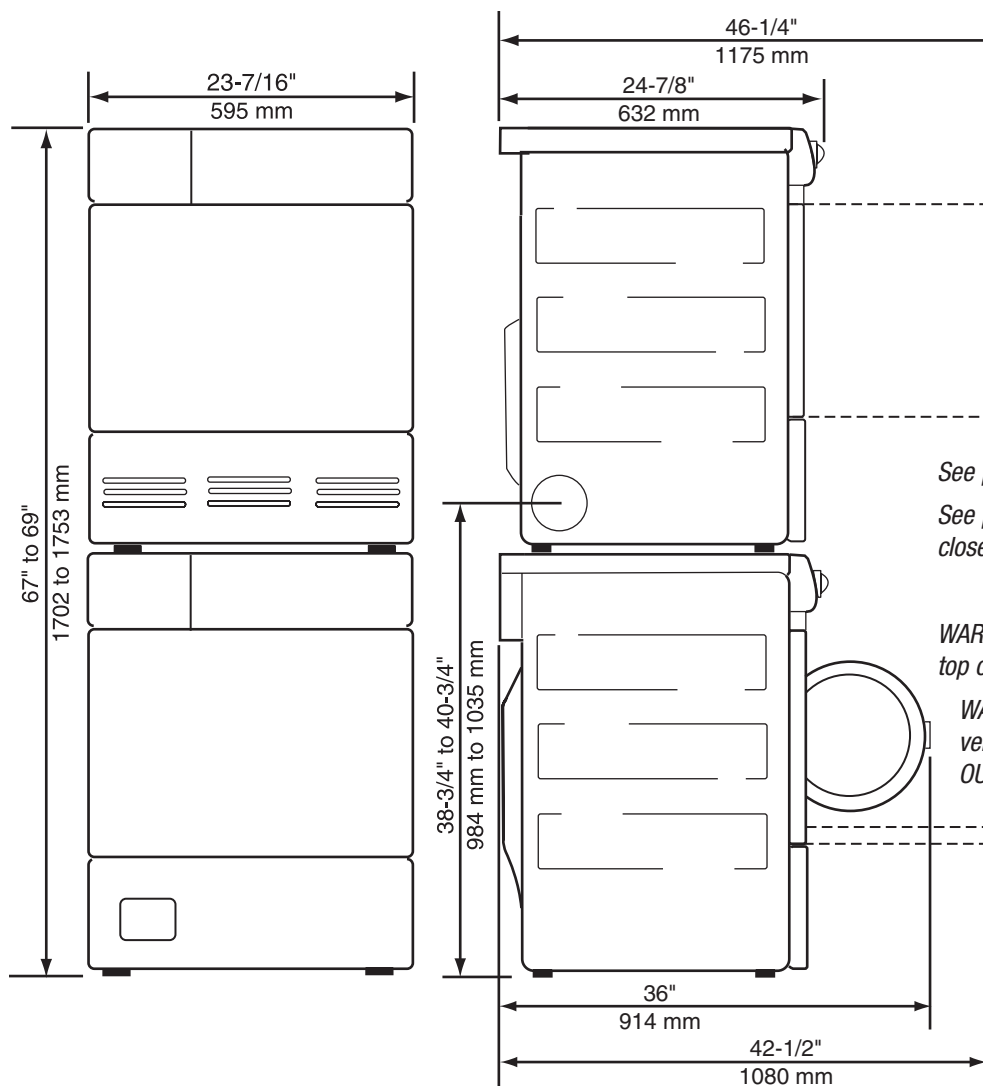
Dimensions

	US	METRIC
HEIGHT	67"–69"	1702–1753 mm
WIDTH	23-7/16"	595 mm
DEPTH	24-7/8" *	632 mm
WEIGHT	253–258 lbs	115–117 kg

*Includes 1" for control knob.

Any ASKO dryer can be mounted on top of any matching ASKO washer. Stacking kits are provided with the dryer. Refer to the *ASKO Dryer Use and Care Guide* for stacking instructions.

Every ASKO washer is delivered ready-fitted with a plug and is intended for connection to an ASKO dryer, which is equipped with a matching receptacle. When an ASKO washer is connected to the dryer, use 220 V, 30 Amp single-phase circuit. When the dryer is on a separate outlet, use 220 V, 20 Amp single-phase circuit. If the washer is used separately or with another dryer, it must be on a separate 220 V, 20 Amp single-phase circuit. When placing a stacked set next to a wall or cabinet, be sure to leave 1/2" (12 mm) of space between the washer and the wall or cabinet.



See page 24 for venting requirements.
See pages 29 for stacked cabinet or closet dimensions.

WARNING! Never stack a washer on top of a dryer!

WARNING! To reduce the risk of fire, vented dryers must be exhausted OUTDOORS or the equivalent.

Never cover the end of the dryer stub or vent hose with anything to catch lint, except for a UL-approved vent bucket.

Planning & Design: Stacked Laundry Pairs

W6222/T712C, W6461/T741 condenser dryers (ventless)

Dimensions

	US	METRIC
HEIGHT	67"–69"	1702–1753 mm
WIDTH	23-7/16"	595 mm
DEPTH	24-7/8"	632 mm
WEIGHT	270–275 lbs	122–125 kg

*Includes 1" for control knob.

Any ASKO dryer can be mounted on top of any matching ASKO washer.

Stacking kits are provided with the dryer. Refer to the ASKO Dryer Use and Care Guide for stacking instructions.

Every ASKO washer is delivered ready-fitted with a plug and is intended for connection to an ASKO dryer, which is equipped with a matching receptacle. When an ASKO washer is connected to the dryer, use 220 V, 30 Amp single-phase circuit. When the dryer is on a

separate outlet, use 220 V, 20 Amp single-phase circuit. If the washer is used separately or with another dryer, it must be on a separate 220 V, 20 Amp single-phase circuit.

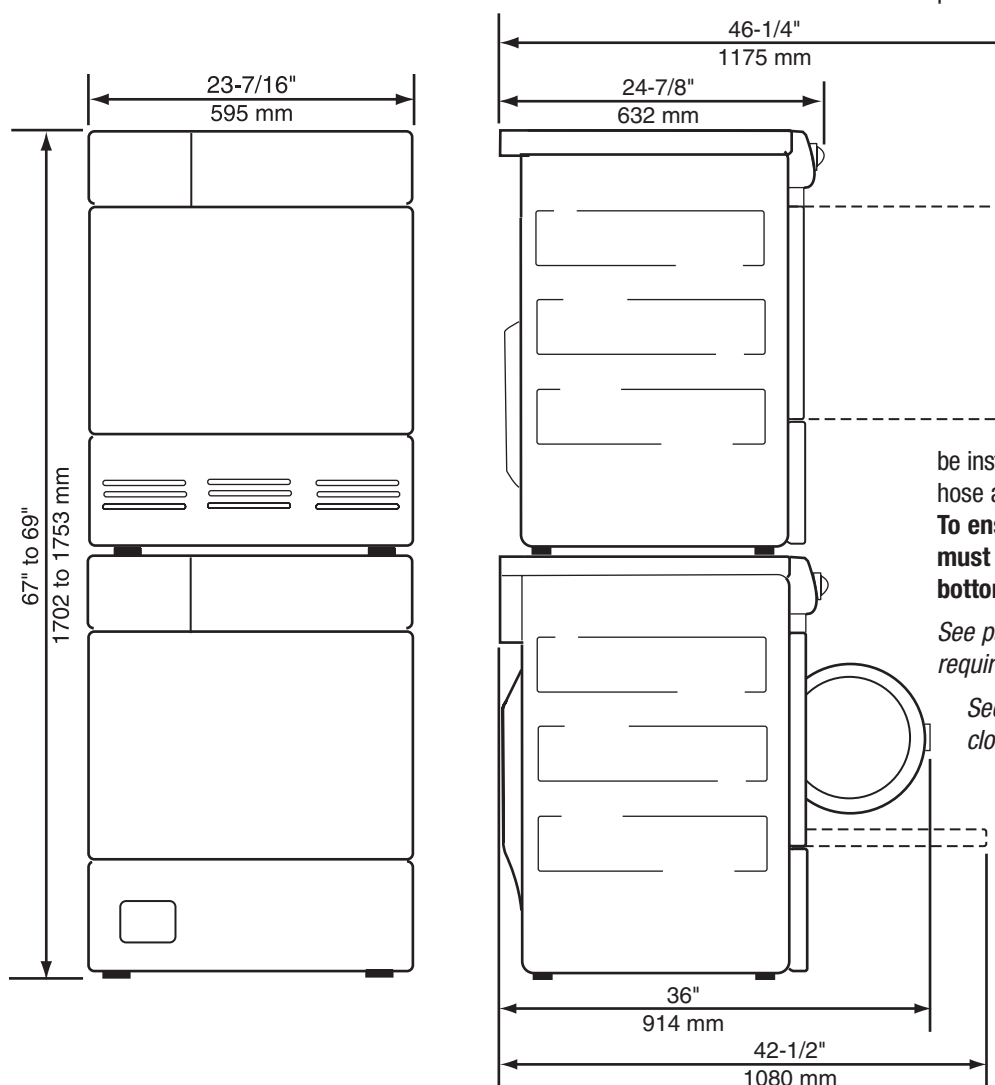
When placing a stacked pair next to a wall or cabinet, be sure to leave 1/2" (12 mm) of space between the washer and the wall or cabinet.

ASKO condenser dryers must be installed to continuously drain through a hose attached to the rear of the machine. **To ensure proper drainage, the drain must not be higher than 40" above the bottom of the dryer.**

See page 25 for condensation drain requirements.

See page 29 for stacked cabinet or closet installation dimensions.

WARNING! Never stack a washer on top of a dryer!



Planning & Design: Drying Cabinet DC7171

Dimensions

	US	METRIC
HEIGHT	67"–69"	1702–1753 mm
WIDTH	23-7/16"	595 mm
DEPTH	25-1/4"*	640 mm
WEIGHT	133 lbs	60 kg

*Includes 1" for control knob.

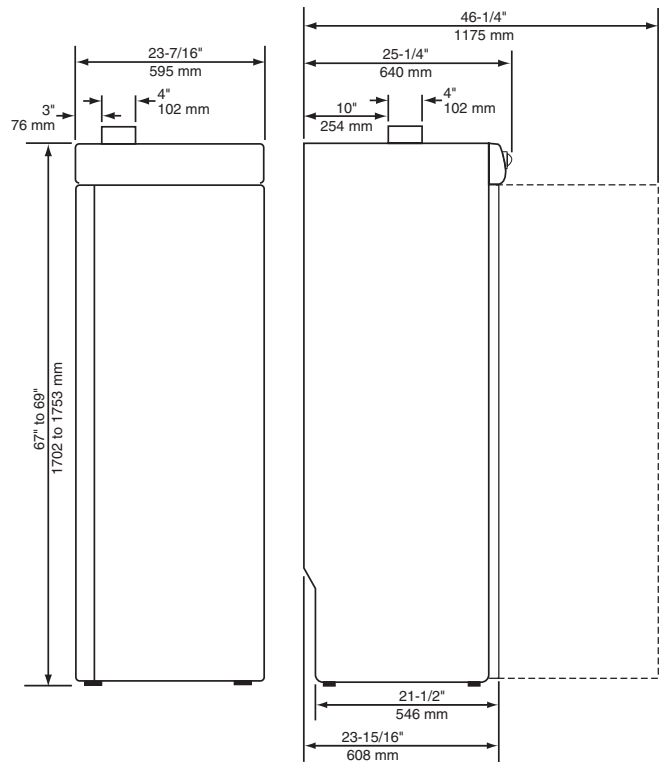
Technical Data

Supply voltage	Single-phase 120 V, 60 Hz
Heating element	1200 W
Motor	43 W

The drying cabinet must be connected to a 110-120 volt, single phase, 60 Hz grounded wall outlet.

The unit comes with a 79" power cord attached, but the receptacle should be installed in an easy to reach location that will allow the plug to be removed without moving the drying closet.

When venting, the duct attaches to a 4" round exhaust collar that is approximately 3" high.



Planning & Design: Laundry

DRYING CABINET WITH STACKED CABINET INSTALLATIONS

Cutout Dimensions

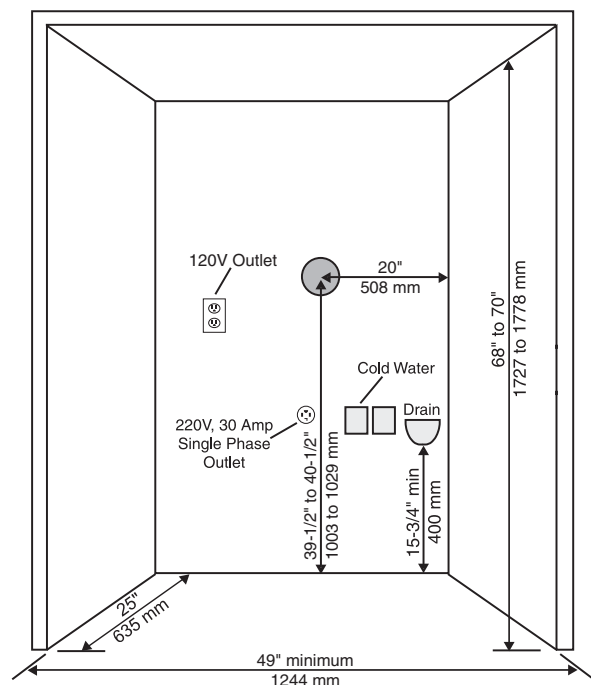
	US	METRIC
HEIGHT	68"–70"	1727–1778 mm
WIDTH	49" minimum	1244 mm
DEPTH	25"	635 mm

The minimum clearance between the sides, back and top of the unit and the cabinet should be at least 1/2" (12 mm).

The drying cabinet exhaust collar should be connected to a 4" diameter solid vent pipe with a maximum length of 3'3".

If the location of the drying cabinet installation won't accommodate the preferred venting requirements, the unit may be ducted into the laundry room. **Please note:** This is not the preferred method of installation.

Since the washing machine door is hinged on the right hand side, the drying cabinet should be installed to the left of the stacked laundry pair. Doing so will allow easier transfer of the wash load between the washing machine and the drying closet avoiding the open washing machine door.



Planning & Design: Laundry

STACKED CABINET OR CLOSET INSTALLATIONS

ASKO's front panel controls make it possible to install the washers and dryers under a cabinet or in a closet. Make sure there is a 1/2" (12 mm) minimum clearance between units and between units and cabinet or wall. To ensure proper ventilation, we recommend louvered doors, particularly for condenser dryers.

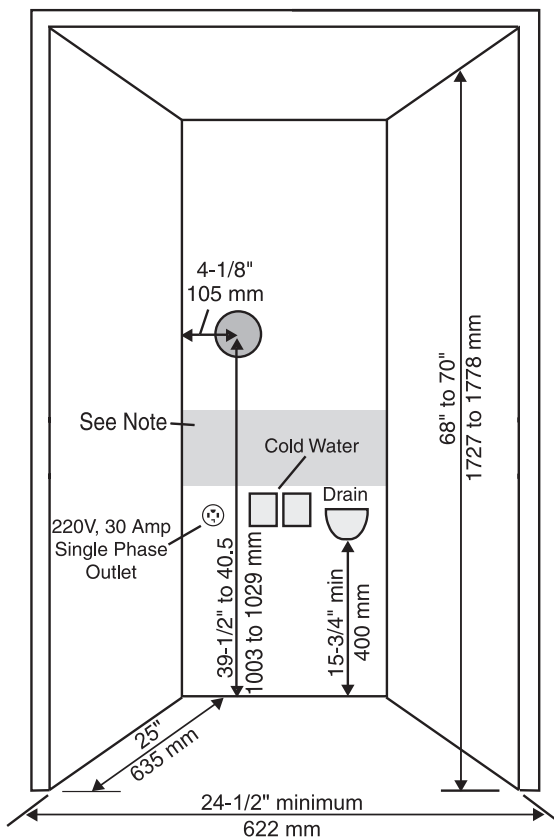
Every ASKO washer is delivered ready-fitted with a plug and is intended for connection to an ASKO dryer, which is equipped with a matching receptacle. When an ASKO washer is connected to the dryer, use 220 V, 30 Amp single-phase circuit. When the dryer is on a separate outlet, use 220 V, 20 Amp single-phase circuit. If the washer is used separately or with another dryer, it must be on a separate 220 V, 20 Amp single-phase circuit.

Cutout Dimensions

	US	METRIC
HEIGHT	68"-70"	1727-1778 mm
WIDTH	24-1/2" minimum	622 mm
DEPTH	25"	635 mm

Vented Dryer Opening

T712 and T731 dryers can be vented from the rear or the left or right side. The cabinet cutout illustrated below gives the dimensions for a rear exhaust. See page 24 for venting requirements.



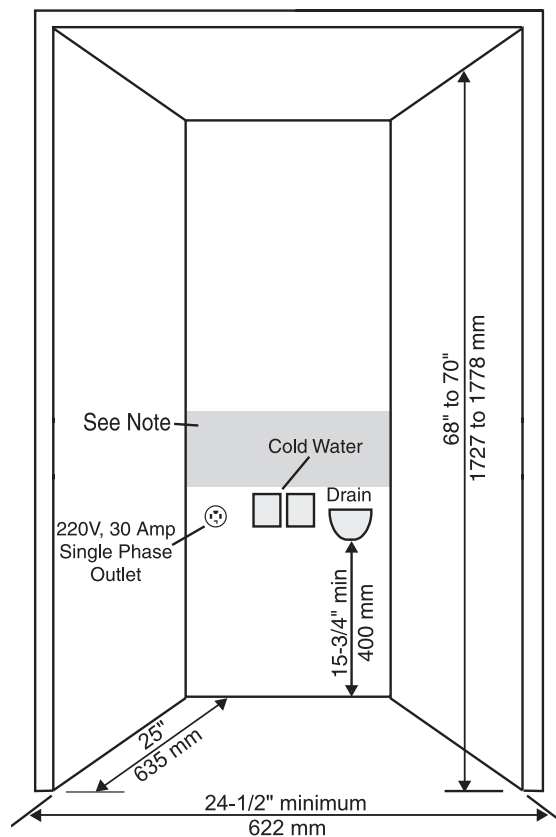
NOTE: To avoid crimping the electrical and water connections, do not install the hookups between the area of 26" to 35" from the floor (as indicated by shaded area in illustrations above).

For stacked installations, we recommend a 6-foot cord.

Condenser Dryer Opening

ASKO condenser dryers must be installed to continuously drain through a hose attached to the rear of the machine.

To ensure proper drainage, the drain must not be higher than 40" above the bottom of the dryer. See page 25 for condensation drain requirements.



WARNING! To reduce the risk of fire, vented dryers must be exhausted OUTDOORS or the equivalent.

Never cover the end of the dryer stub or vent hose with anything to catch lint, except for a UL-approved vent bucket.

Specifications are subject to change without notice. See installation instructions for additional details.

Planning & Design: Laundry

SINGLE UNIT CABINET INSTALLATIONS

ASKO's front panel controls make it possible to install the washers and dryers under a cabinet or in a closet. Make sure there is a 1/2" (12 mm) minimum clearance between units and between units and cabinet or wall.

Every ASKO washer is delivered ready-fitted with a plug and is intended for connection to an ASKO dryer, which is equipped with a matching receptacle. When an ASKO washer is connected to the dryer, use 220 V, 30 Amp single-phase circuit. When the dryer is on a separate outlet, use 220 V, 20 Amp single-phase circuit. If the washer is used separately or with another dryer, it must be on a separate 220 V, 20 Amp single-phase circuit.

Cutout Dimensions

	US	METRIC
HEIGHT	34"–35-1/2"	864–902 mm
WIDTH	24-1/2" minimum	622 mm
DEPTH	25"	635 mm

NOTE: For these installations, a custom countertop may be required.

Vented Dryers

ASKO vented dryers can be vented from the rear or the left or right side. The cabinet cutout illustrated below gives the dimensions for a rear or left exhaust.

See page 24 for venting requirements.

WARNING! To reduce the risk of fire, vented dryers must be exhausted **OUTDOORS** or the equivalent. See page 24 for venting requirements.

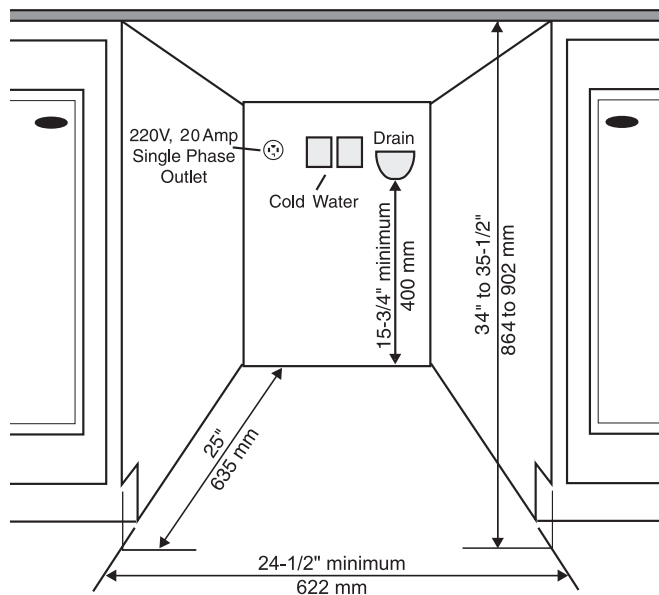
Never cover the end of the dryer stub or vent hose with anything to catch lint, except for a UL-approved vent bucket.

Condenser Dryers

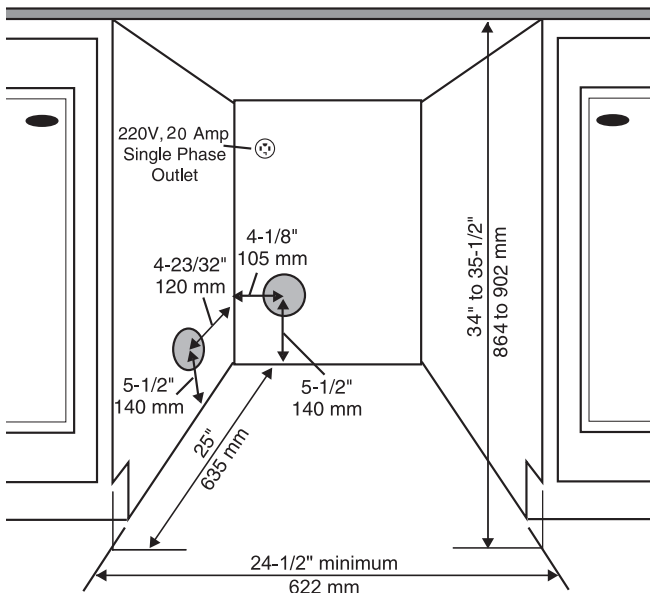
ASKO condenser dryers must be installed to continuously drain through a hose attached to the rear of the machine. **To ensure proper drainage, the drain must not be higher than 40" above the bottom of the dryer.**

See page 25 for condensation drain requirements.

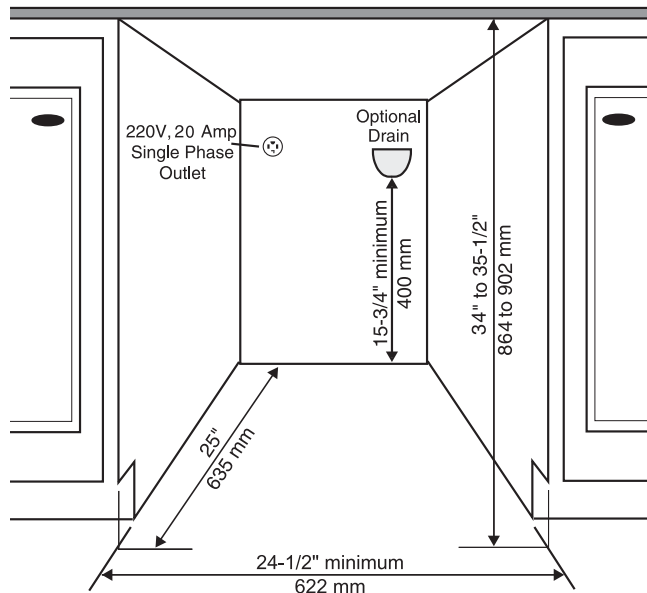
Washer Opening



Vented Dryer Opening



Condenser Dryer Opening



Planning & Design: Laundry

SIDE-BY-SIDE UNDER-COUNTER INSTALLATIONS

ASKO's front panel controls make it possible to install the washers and dryers under a cabinet or in a closet. Make sure there is a 1/2" (12 mm) minimum clearance between units and between units and cabinet or wall.

Every ASKO washer is delivered ready-fitted with a plug and is intended for connection to an ASKO dryer, which is equipped with a matching receptacle. When an ASKO washer is connected to the dryer, use 220 V, 30 Amp single-phase circuit. When the dryer is on a separate outlet, use 220 V, 20 Amp single-phase circuit. If the washer is used separately or with another dryer, it must be on a separate 220 V, 20 Amp single-phase circuit.

Cutout Dimensions

	US	METRIC
HEIGHT	34"–35-1/2"	864–902 mm
WIDTH	48-1/2" minimum	1232 mm
DEPTH	25"	635 mm

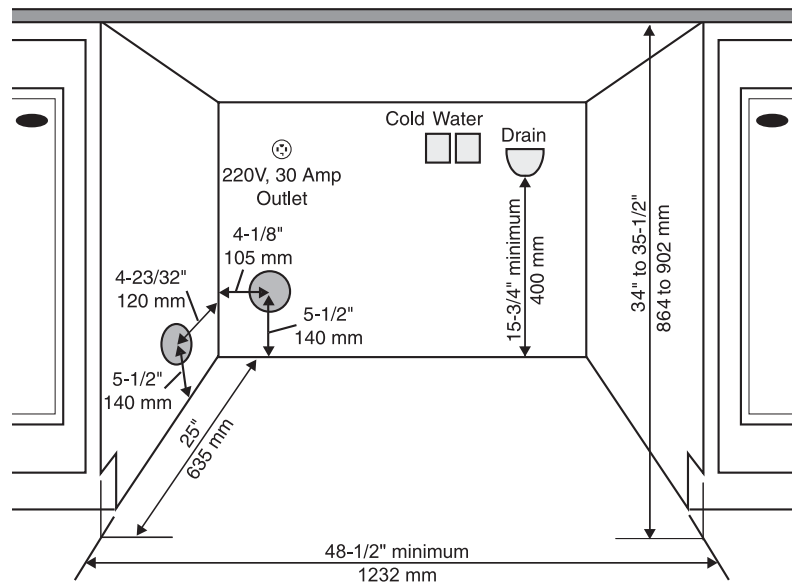
NOTE: For these installations, a custom countertop may be required.

ASKO's front panel controls make it possible to install the washers and dryers under a cabinet or in a closet. Make sure there is a 1/2" (12 mm) minimum clearance between units and between units and cabinet or wall.

Every ASKO washer is delivered ready-fitted with a plug and is intended for connection to an ASKO dryer, which is equipped with a matching receptacle. When an ASKO washer is connected to the dryer, use 220 V, 30 Amp single-phase circuit. When the dryer is on a separate outlet, use 220 V, 20 Amp single-phase circuit. If the washer is used separately or with another dryer, it must be on a separate 220 V, 20 Amp single-phase circuit.

NOTE: To avoid crimping the electrical and water connections, do not install the hookups between the area of 26" to 35" from the floor.

Vented Dryer Opening



Washer and Vented Dryer

T712 and T731 dryers can be vented from the rear or the left or right side. The cabinet cutout illustrated at right gives the dimensions for a rear and left exhaust. See page 24 for venting requirements.

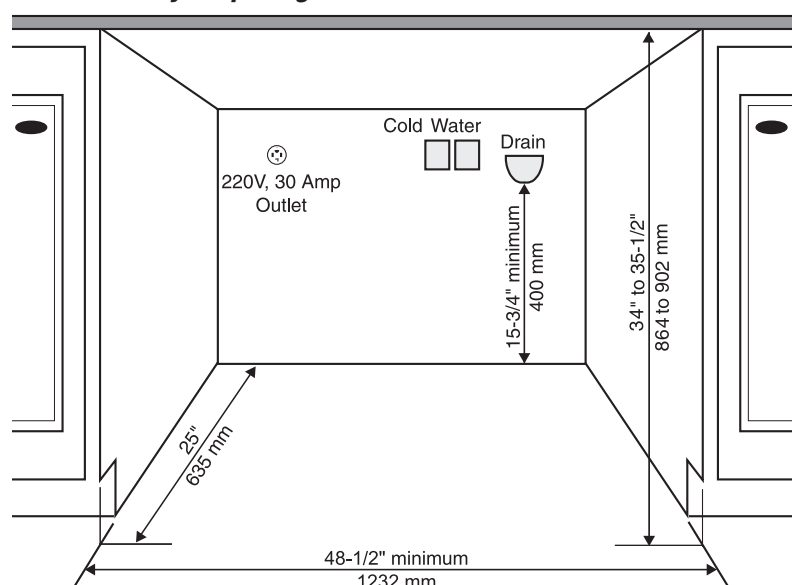
WARNING! To reduce the risk of fire, vented dryers must be exhausted OUTDOORS or the equivalent.

Never cover the end of the dryer stub or vent hose with anything to catch lint, except for a UL-approved vent bucket.

Washer and Condenser Dryer

ASKO condenser dryers must be installed to continuously drain through a hose attached to the rear of the machine. **To ensure proper drainage, the drain must not be higher than 40" above the bottom of the dryer.** See page 25 for condensation drain requirements.

Condenser Dryer Opening





www.askousa.com