

DESCRIPTION

- 24-gauge steel cabinet
- Heavy-duty ventilated metal board w/pad
- Hot iron storage shelf
- Utility/storage shelf
- Multiple door styles available separately
- Door included (Models AVD45WN & AVD45KN)
- Door mounting - both left and right
- Magnetic door catch
- Built-in light - 40 watt max. bulb (not included)
- Safety switch/auto shutoff
- Silent 60-minute timer
- Pilot light
- Convenient 3-prong, grounded, built-in outlet for iron
- Board cover included

MODEL AVD45N

- Door sold separately

MODEL AVD45WN

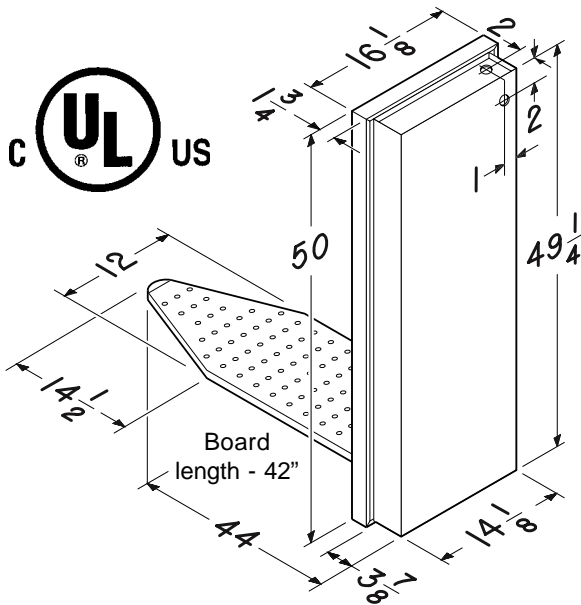
- Includes White MDF Door

MODEL AVD45KN

- Includes Simulated Oak Door

Additional Doors Available:

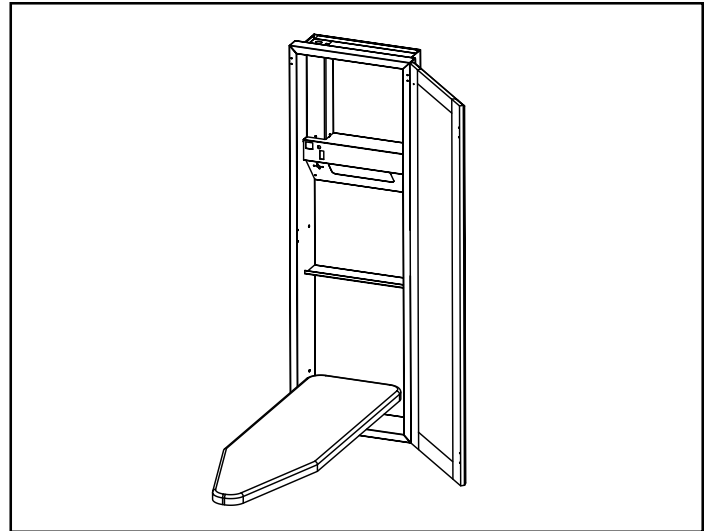
AVDORPN	Oak Raised Panel - Unfinished
AVDWRPN	Oak Raised Panel - White
AVDOFPN	Birch Flat Panel - Unfinished
AVDMFPN	Mirror Door - Beveled



PressRite™ Built-in Ironing Center

“Standard”

MODELS AVD45N, AVD45WN & AVD45KN



INSTALLATION

- For built-in installation or optional surface mounting
- Installation instructions included with each unit

ARCHITECT'S SPECIFICATION

Ironing center shall be NuTone PressRite™ Model AVD45N (AVD45WN) (AVD45KN).

Built-In Ironing Center shall be heavy gauge steel construction in white finish. A 49 1/4" H x 14 1/8" W x 3 7/8" D wall opening is required. Optional collar allows surface mounting when needed or desired.

Cabinet shall have ironing board safety retainer.

Choose from optional PressRite™ custom doors.

Cabinet to have convenience outlet, timer, built-in worklight, power indicator light, and safety shut-off switch.

Unit shall be UL listed.

Electrical: 120V, 60 HZ., 15 Amps.

NuTone, Inc., 4820 Red Bank Road, Cincinnati, OH 45227 (1-800-543-8687)

REFERENCE	QTY.	REMARKS	Project
			Location
			Architect
			Engineer
			Contractor
			Submitted by
			Date