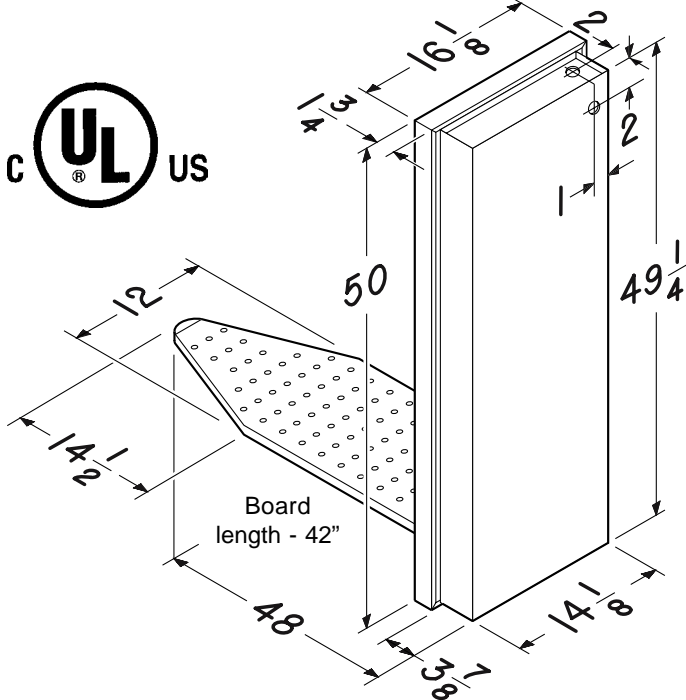


## DESCRIPTION

- 24-gauge steel cabinet
- Heavy-duty ventilated metal board w/pad
- 3-position height adjustment
- Board swivels a full 180 degrees
- Hot iron storage shelf
- Utility/storage shelf
- Multiple door styles available separately
- Door mounting - both left and right
- Magnetic door catch
- Built-in light - 40 watt max. bulb (not included)
- Safety switch/auto shutoff
- Silent 60-minute timer
- Pilot light
- Convenient 3-prong, grounded, built-in outlet for iron
- Board cover included

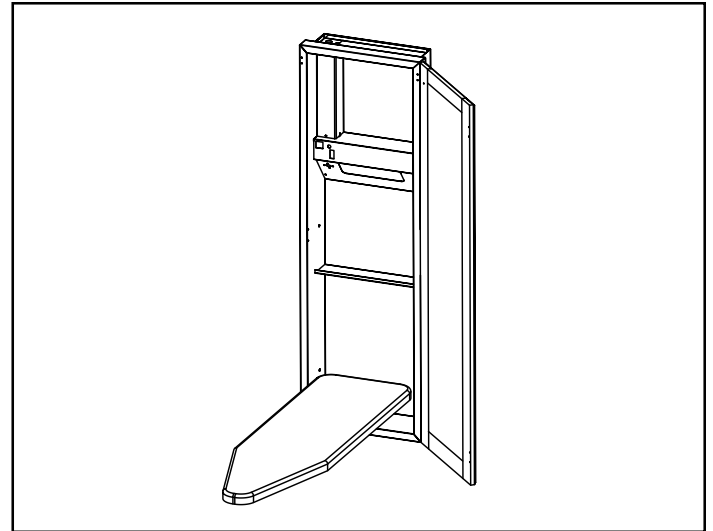
### Additional Doors Available (sold separately):

- |         |                               |
|---------|-------------------------------|
| AVDORPN | Oak Raised Panel - Unfinished |
| AVDWRPN | Oak Raised Panel - White      |
| AVDOFPN | Birch Flat Panel - Unfinished |
| AVDMFPN | Mirror Door - Beveled         |



# PressRite™ Built-in Ironing Center

*“Deluxe”*  
**MODEL AVD50N**



## INSTALLATION

- For built-in installation or optional surface mounting
- Installation instructions included with each unit

## ARCHITECT'S SPECIFICATION

Ironing center shall be NuTone PressRite™ Model AVD50N.

Built-In Ironing Center shall be heavy gauge steel construction in white finish. A 49 1/4"H x 14 1/8"W x 3 7/8"D wall opening is required. Optional collar allows surface mounting when needed or desired.

Cabinet shall have ironing board safety retainer.

Choose from optional PressRite™ custom doors.

Cabinet to have convenience outlet, timer, built-in worklight, power indicator light, and safety shut-off switch.

Unit shall be UL listed.

Electrical: 120V, 60 HZ., 15 Amps.

NuTone, Inc., 4820 Red Bank Road, Cincinnati, OH 45227 (1-800-543-8687)

REFERENCE	QTY.	REMARKS	Project
			Location
			Architect
			Engineer
			Contractor
			Submitted by
			Date