

# KitchenAid®

## OUTDOOR ACCESS DOORS

### Installation Instructions and Use & Care Guide

For questions about features, operation/performance, parts, accessories or service, call: **1-800-422-1230**  
or visit our website at [www.kitchenaid.com](http://www.kitchenaid.com)

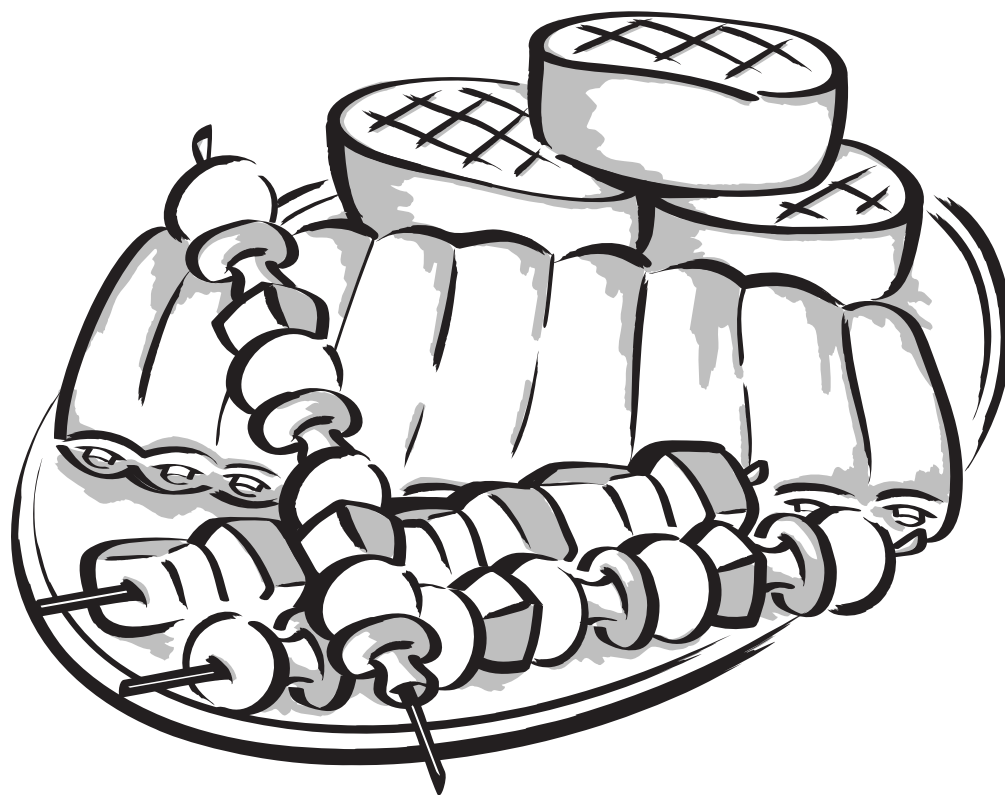
In Canada, call for assistance, installation and service, call: **1-800-807-6777**  
or visit our website at [www.KitchenAid.ca](http://www.KitchenAid.ca)

## PORTES D'ACCÈS D'EXTÉRIEUR

### Instructions d'installation et Guide d'utilisation et d'entretien

Au Canada, pour assistance, installation ou service composez le **1-800-807-6777** ou visitez notre site Web à...  
[www.KitchenAid.ca](http://www.KitchenAid.ca)

Table of Contents/Table des matières..... 2



# TABLE OF CONTENTS

<b>OUTDOOR ACCESS DOORS SAFETY</b> .....	<b>2</b>
<b>INSTALLATION REQUIREMENTS</b> .....	<b>3</b>
Tools and Parts .....	3
Product Dimensions.....	3
Cabinet Cutout Dimensions.....	4
<b>INSTALLATION INSTRUCTIONS</b> .....	<b>4</b>
<b>ACCESS DOORS CARE</b> .....	<b>4</b>
General Cleaning.....	4
<b>ASSISTANCE OR SERVICE</b> .....	<b>5</b>
In the U.S.A. ....	5
In Canada .....	5
<b>WARRANTY</b> .....	<b>6</b>

# TABLE DES MATIÈRES

<b>SÉCURITÉ DES PORTES D'ACCÈS D'EXTÉRIEUR</b> .....	<b>7</b>
<b>EXIGENCES D'INSTALLATION</b> .....	<b>8</b>
Outillage et pièces.....	8
Dimensions du produit .....	8
Dimensions du placard .....	9
<b>INSTRUCTIONS D'INSTALLATION</b> .....	<b>9</b>
<b>ENTRETIEN DES PORTES D'ACCÈS</b> .....	<b>9</b>
Nettoyage général .....	9
<b>ASSISTANCE OU SERVICE</b> .....	<b>10</b>
<b>GARANTIE</b> .....	<b>10</b>

## OUTDOOR ACCESS DOORS SAFETY

### Your safety and the safety of others are very important.

We have provided many important safety messages in this manual and on your appliance. Always read and obey all safety messages.



This is the safety alert symbol.

This symbol alerts you to potential hazards that can kill or hurt you and others.

All safety messages will follow the safety alert symbol and either the word "DANGER" or "WARNING."

These words mean:

**⚠ DANGER**

**You can be killed or seriously injured if you don't immediately follow instructions.**

**⚠ WARNING**

**You can be killed or seriously injured if you don't follow instructions.**

All safety messages will tell you what the potential hazard is, tell you how to reduce the chance of injury, and tell you what can happen if the instructions are not followed.

# INSTALLATION REQUIREMENTS

## Tools and Parts

Gather the required tools and parts before starting installation. Read and follow the instructions provided with any tools listed here.

### Tools Needed

- Tape measure
- Phillips screwdriver
- Level

### Parts Needed

- Screws (quantity and type to be determined by the requirements of the cabinet material)

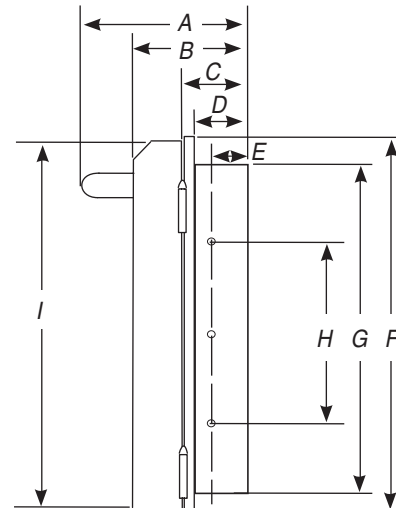
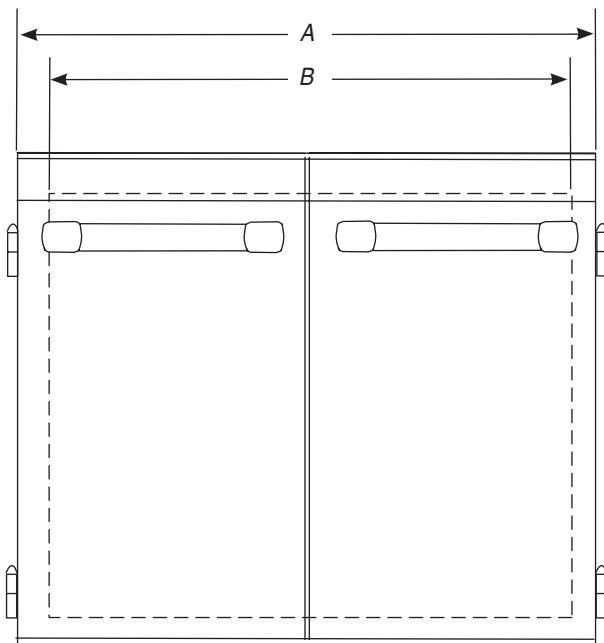
## Product Dimensions

**⚠ WARNING**

**Excessive Weight Hazard**

**Use two or more people to move and install access doors.**

**Failure to do so can result in back or other injury.**



- A. 7<sup>5</sup>/<sub>8</sub>" (19.4 cm)
- F. 22<sup>5</sup>/<sub>8</sub>" (57.4 cm)
- B. 4<sup>7</sup>/<sub>8</sub>" (11.3 cm)
- G. 20<sup>3</sup>/<sub>8</sub>" (51.6 cm)
- C. 2" (5.1 cm)
- H. 13<sup>3</sup>/<sub>8</sub>" (34 cm)
- D. 1<sup>5</sup>/<sub>8</sub>" (4 cm)
- I. 22<sup>3</sup>/<sub>8</sub>" (56.7 cm)
- E. 1" (2.5 cm)

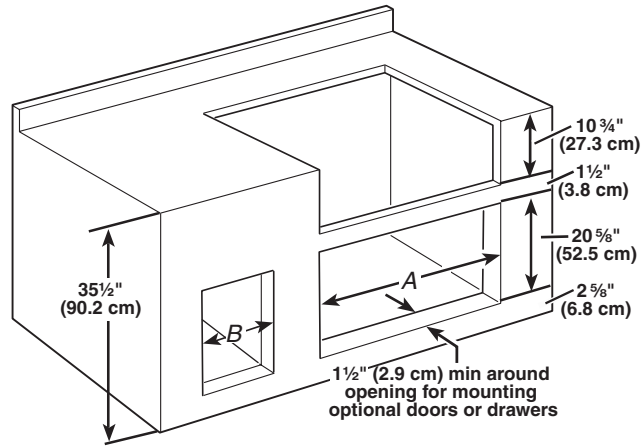
### Single Access Door

A	B (Mounting Frame)
18" (45.7 cm)	15 <sup>3</sup> / <sub>4</sub> " (39.9 cm)

### Double Access Doors

A	B (Mounting Frame)
27" (68.5 cm)	24 <sup>13</sup> / <sub>16</sub> " (63 cm)
30" (76.2 cm)	27 <sup>13</sup> / <sub>16</sub> " (70.7 cm)
36" (91.4 cm)	33 <sup>13</sup> / <sub>16</sub> " (85.9 cm)
48" (121.9 cm)	45 <sup>13</sup> / <sub>16</sub> " (116.4 cm)

## Cabinet Cutout Dimensions



A	
Double Access Doors	Cutout Width
27" (68.6 cm)	25 1/8" (64.1 cm)
30" (76.2 cm)	28 1/8" (71.1 cm)
36" (91.4 cm)	34 1/8" (87.0 cm)
48" (121.9 cm)	46 1/8" (117.4 cm)

B	
Single Access Door	Cutout Width
18" (45.7 cm)	16 3/16" (41.1 cm)

## INSTALLATION INSTRUCTIONS

- Remove access doors from mounting frame by lifting each door up and off the mounting frame hinge.
- Install mounting frame flush to the face of the cabinet cutout. Make sure the mounting frame is level.
- Install screws (not supplied) into holes located on the mounting frame.
- Replace access doors by placing each door back on the mounting frame hinges.

## ACCESS DOORS CARE

### General Cleaning

**IMPORTANT:** Always follow label instructions on cleaning products.

Soap, water and a soft cloth or sponge are suggested first unless otherwise noted.

To avoid damage to stainless steel surfaces, do not use soap-filled scouring pads, abrasive cleaners, cleaners containing chlorine, Cooktop Polishing Creme, steel-wool pads, gritty washcloths or some paper towels.

#### STAINLESS STEEL

##### Cleaning Method:

Rub in direction of grain to avoid damage.

- Food spills should be cleaned as soon as possible. Spills may cause permanent discoloration. Use stainless steel cleaner and polish to clean spills.

KitchenAid® Stainless Steel Cleaner and Polish Part Number 4396920 (not included) or KitchenAid® Stainless Steel Wipes Part Number 8212510 (not included):

See "Assistance or Service" section to order.

- Liquid detergent or all-purpose cleaner:  
Rinse with clean water and dry with soft, lint-free cloth.
- Vinegar for hard water spots
- Use a glass cleaner to remove fingerprints.

#### EXTERIOR and INTERIOR

The quality of this material resists most stains and pitting, providing that the surface is kept clean, covered and polished.

##### Cleaning Method:

- Apply stainless steel polish to all areas before first use. Apply after each cleaning to avoid damage.
- Cleaning should always be followed by rinsing with clean, warm water.
- Use a metal polish or stainless steel brightener to remove fingerprints, water spots, oxidation, and food stains. Always follow the manufacturer's directions.
- Wipe the surface completely dry with a soft cloth.

---

# ASSISTANCE OR SERVICE

Before calling for assistance or service, please check "Troubleshooting." It may save you the cost of a service call. If you still need help, follow the instructions below.

When calling, please know the purchase date and the complete model and serial number of your appliance. This information will help us to better respond to your request.

## If you need replacement parts

If you need to order replacement parts, we recommend that you use only factory specified parts. These factory specified parts will fit right and work right because they are made with the same precision used to build every new KITCHENAID® appliance.

To locate factory specified parts in your area, call us or your nearest KitchenAid designated service center.

---

## In the U.S.A.

Call the KitchenAid Customer eXperience Center toll free: **1-800-422-1230**.

### Our consultants provide assistance with:

- Features and specifications on our full line of appliances.
- Installation information.
- Use and maintenance procedures.
- Accessory and repair parts sales.
- Specialized customer assistance (Spanish speaking, hearing impaired, limited vision, etc.).
- Referrals to local dealers, repair parts distributors and service companies. KitchenAid designated service technicians are trained to fulfill the product warranty and provide after-warranty service, anywhere in the United States.

To locate the KitchenAid designated service company in your area, you can also look in your telephone directory Yellow Pages.

## For further assistance

If you need further assistance, you can write to KitchenAid with any questions or concerns at:

KitchenAid Brand Home Appliances  
Customer eXperience Center  
553 Benson Road  
Benton Harbor, MI 49022-2692

Please include a daytime phone number in your correspondence.

---

## In Canada

Call the KitchenAid Canada Customer Interaction Centre toll free: **1-800-807-6777**.

### Our consultants provide assistance with:

- Features and specifications on our full line of appliances.
- Use and maintenance procedures.
- Accessory and repair parts sales.
- Referrals to local dealers, repair parts distributors and service companies. KitchenAid Canada designated service technicians are trained to fulfill the product warranty and provide after-warranty service, anywhere in Canada.

## For further assistance

If you need further assistance, you can write to KitchenAid Canada with any questions or concerns at:

Customer Interaction Centre  
KitchenAid Canada  
1901 Minnesota Court  
Mississauga, Ontario L5N 3A7

Please include a daytime phone number in your correspondence.

---

# KITCHENAID® OUTDOOR PRODUCT WARRANTY

---

## ONE YEAR LIMITED WARRANTY

For one year from the date of purchase, when this outdoor product is operated and maintained according to instructions attached to or furnished with the product, KitchenAid will pay for factory specified parts and repair labor to correct defects in materials or workmanship. Service must be provided by a KitchenAid designated service company.

---

## SECOND THROUGH FIFTH YEAR LIMITED WARRANTY ON PARTS ON GRILLS ONLY

In the second through fifth years from the date of purchase when this grill is operated and maintained according to instructions attached to or furnished with the product, KitchenAid will pay for factory specified parts to correct defects in materials or workmanship.

---

## LIFETIME LIMITED WARRANTY ON STAINLESS STEEL COMPONENTS ON GRILLS ONLY

For the life of the product, when this grill is operated and maintained according to instructions attached to or furnished with the product, KitchenAid will pay for replacement of the stainless steel body housing due to defective materials or workmanship. For the life of the product, when this grill is operated and maintained according to instructions attached to or furnished with the product, KitchenAid will pay for replacement parts for the stainless steel grill burners.

---

## ITEMS KITCHENAID WILL NOT PAY FOR

1. Service calls to correct the installation of your outdoor product, to instruct you how to use your outdoor product, to replace or repair house fuses or to correct house wiring or plumbing.
  2. Damages to the finish, such as scratches or discoloration that may occur during normal use.
  3. Repairs when your outdoor product is used for other than normal, single-family household use.
  4. Damage resulting from accident, alteration, misuse, abuse, fire, flood, acts of God, improper installation, installation not in accordance with electrical or plumbing codes, or use of products not approved by KitchenAid.
  5. Conversion kit or service call for the conversion of your outdoor product from natural gas to L.P./propane or from L.P./propane to natural gas.
  6. Replacement parts or repair labor costs for outdoor product operated outside the United States and Canada.
  7. Pickup and delivery. This outdoor product is designed to be repaired in the home.
  8. Repairs to parts or systems resulting from unauthorized modifications made to the outdoor product.
  9. Expenses for travel and transportation for product service in remote locations.
  10. The removal and reinstallation of your outdoor product if it is installed in an inaccessible location or is not installed in accordance with published installation instructions.
  11. Any labor costs after the first year.
  12. Damage resulting from normal wear and tear of your outdoor product.
- 

## DISCLAIMER OF IMPLIED WARRANTIES; LIMITATION OF REMEDIES

CUSTOMER'S SOLE AND EXCLUSIVE REMEDY UNDER THIS LIMITED WARRANTY SHALL BE PRODUCT REPAIR AS PROVIDED HEREIN. IMPLIED WARRANTIES, INCLUDING WARRANTIES OF MERCHANTABILITY OR FITNESS FOR A PARTICULAR PURPOSE, ARE LIMITED TO ONE YEAR OR THE SHORTEST PERIOD ALLOWED BY LAW. KITCHENAID SHALL NOT BE LIABLE FOR INCIDENTAL OR CONSEQUENTIAL DAMAGES. SOME STATES AND PROVINCES DO NOT ALLOW THE EXCLUSION OR LIMITATION OF INCIDENTAL OR CONSEQUENTIAL DAMAGES, OR LIMITATIONS ON THE DURATION OF IMPLIED WARRANTIES OF MERCHANTABILITY OR FITNESS, SO THESE EXCLUSIONS OR LIMITATIONS MAY NOT APPLY TO YOU. THIS WARRANTY GIVES YOU SPECIFIC LEGAL RIGHTS AND YOU MAY ALSO HAVE OTHER RIGHTS, WHICH VARY FROM STATE TO STATE OR PROVINCE TO PROVINCE.

---

Outside the 50 United States and Canada, this warranty does not apply. Contact your authorized KitchenAid dealer to determine if another warranty applies.

If you need service, first see the "Troubleshooting" section of the Use & Care Guide. After checking "Troubleshooting," additional help can be found by checking the "Assistance or Service" section or by calling KitchenAid. In the U.S.A., call **1-800-422-1230**. In Canada, call **1-800-807-6777**.

11/06

**Keep this book and your sales slip together for future reference. You must provide proof of purchase or installation date for in-warranty service.**

Write down the following information about your major appliance to better help you obtain assistance or service if you ever need it. You will need to know your complete model number and serial number. You can find this information on the model and serial number label located on the product.

Dealer name \_\_\_\_\_

Address \_\_\_\_\_

Phone number \_\_\_\_\_

Model number \_\_\_\_\_

Serial number \_\_\_\_\_

Purchase date \_\_\_\_\_

# SÉCURITÉ DES PORTES D'ACCÈS D'EXTÉRIEUR

## **Votre sécurité et celle des autres est très importante.**

Nous donnons de nombreux messages de sécurité importants dans ce manuel et sur votre appareil ménager. Assurez-vous de toujours lire tous les messages de sécurité et de vous y conformer.



Voici le symbole d'alerte de sécurité.

Ce symbole d'alerte de sécurité vous signale les dangers potentiels de décès et de blessures graves à vous et à d'autres.

Tous les messages de sécurité suivront le symbole d'alerte de sécurité et le mot "DANGER" ou "AVERTISSEMENT". Ces mots signifient :

**⚠ DANGER**

**Risque possible de décès ou de blessure grave si vous ne suivez pas immédiatement les instructions.**

**⚠ AVERTISSEMENT**

**Risque possible de décès ou de blessure grave si vous ne suivez pas les instructions.**

Tous les messages de sécurité vous diront quel est le danger potentiel et vous disent comment réduire le risque de blessure et ce qui peut se produire en cas de non-respect des instructions.

# EXIGENCES D'INSTALLATION

## Outillage et pièces

Rassembler les outils et pièces nécessaires avant de commencer l'installation. Lire et suivre les instructions fournies avec les outils indiqués ici.

### Outillage nécessaire

- Mètre ruban
- Tournevis Phillips
- Niveau

### Pièces nécessaires

- Vis (quantité et type à déterminer selon les exigences relatives au matériau du placard)

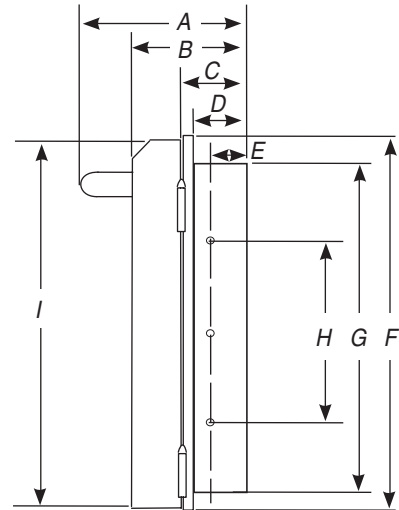
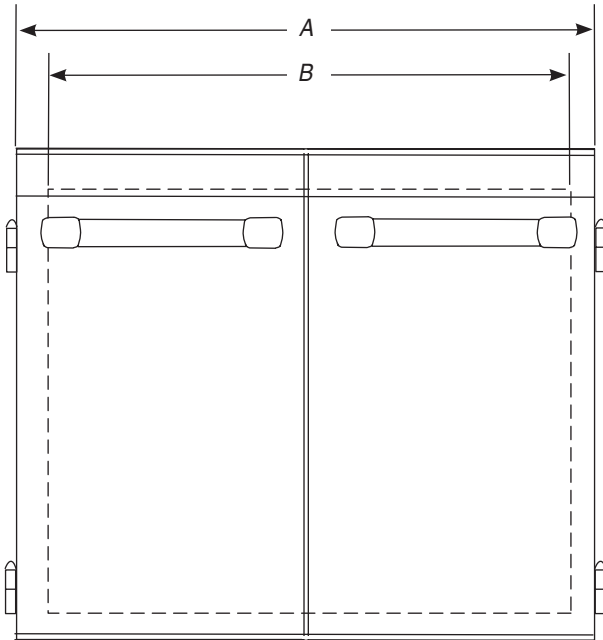
## Dimensions du produit

### **⚠ AVERTISSEMENT**

#### Risque du poids excessif

Utiliser deux ou plus de personnes pour déplacer et installer les portes d'accès.

Le non-respect de cette instruction peut causer une blessure au dos ou d'autre blessure.



- |                                |                                 |
|--------------------------------|---------------------------------|
| A. 7 $\frac{7}{8}$ " (19,4 cm) | F. 22 $\frac{5}{8}$ " (57,4 cm) |
| B. 4 $\frac{3}{8}$ " (11,3 cm) | G. 20 $\frac{3}{8}$ " (51,6 cm) |
| C. 2" (5,1 cm)                 | H. 13 $\frac{3}{8}$ " (34 cm)   |
| D. 1 $\frac{5}{8}$ " (4 cm)    | I. 22 $\frac{3}{8}$ " (56,7 cm) |
| E. 1" (2,5 cm)                 |                                 |

### Portes d'accès simple

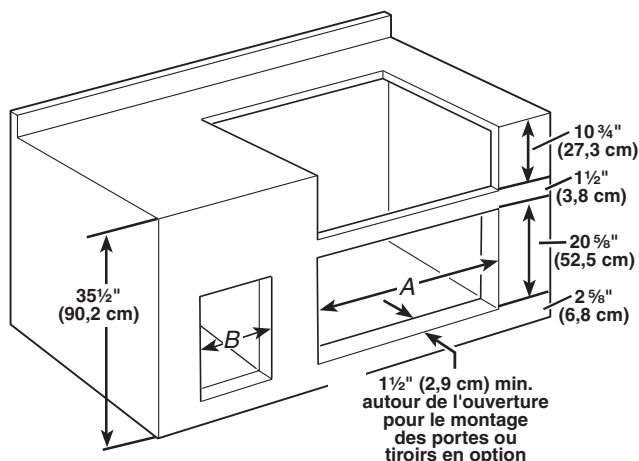
A	B (Cadre de montage)
18" (45,7 cm)	15 $\frac{3}{4}$ " (39,9 cm)

### Portes d'accès double

A	B (Cadre de montage)
27" (68,5 cm)	24 $\frac{13}{16}$ " (63 cm)
30" (76,2 cm)	27 $\frac{13}{16}$ " (70,7 cm)
36" (91,4 cm)	33 $\frac{13}{16}$ " (85,9 cm)
48" (121,9 cm)	45 $\frac{13}{16}$ " (116,4 cm)



## Dimensions du placard



A	
Portes d'accès double	Largeur de l'ouverture
27" (68,6 cm)	25 1/8" (64,1 cm)
30" (76,2 cm)	28 1/8" (71,1 cm)
36" (91,4 cm)	34 1/8" (87,0 cm)
48" (121,9 cm)	46 1/8" (117,4 cm)

B	
Portes d'accès simple	Largeur de l'ouverture
18" (45,7 cm)	16 3/16" (41,1 cm)

## INSTRUCTIONS D'INSTALLATION

- Ôter les portes d'accès du cadre de montage en soulevant chaque porte pour la dégager de la charnière du cadre de montage.
- Installer le cadre de montage en affleurement avec la face de l'ouverture du placard. Vérifier que le cadre de montage est d'aplomb.
- Installer les vis (non fournies) dans les trous situés sur le cadre de montage.
- Réinstaller les portes d'accès en réinstallant chaque porte sur les charnières du cadre de montage.

## ENTRETIEN DES PORTES D'ACCÈS

### Nettoyage général

**IMPORTANT :** Toujours suivre les instructions sur les étiquettes des produits de nettoyage.

Du savon, de l'eau et un chiffon doux ou une éponge sont recommandés à moins d'indication contraire.

#### ACIER INOXYDABLE

##### Méthode de nettoyage :

Frotter dans la direction du grain pour éviter les dommages.

- Les éclaboussures de nourriture doivent être nettoyées dès que possible. Les éclaboussures peuvent causer une décoloration permanente. Utiliser un nettoyant et un poli pour acier inoxydable pour nettoyer les éclaboussures.

Nettoyant et poli pour acier inoxydable KitchenAid® - Pièce n° 4396920 (non incluse) ou chiffons pour acier inoxydable KitchenAid® - Pièce n° 8212510 (non incluse) :

Voir la section "Assistance ou service" pour placer une commande.

- Détergent liquide ou nettoyant tout-usage :  
Rincer à l'eau propre et sécher avec un chiffon doux sans charpie.
- Vinaigre pour les taches d'eau dure.
- Utiliser un nettoyant pour les vitres pour effacer les traces de doigts.

Pour éviter d'endommager l'acier inoxydable, ne pas utiliser de tampons à récurer savonneux, de nettoyants abrasifs ou contenant du chlore, de crème à polir pour table de cuisson, de tampons en laine d'acier, de chiffons de lavage rudes ou certains essuie-tout.

---

## EXTÉRIEUR et INTÉRIEUR

---

La qualité de ce matériau résiste à la plupart des taches et piqûres de corrosion dès lors que la surface est maintenue propre, protégée et lisse.

### Méthode de nettoyage :

- Appliquer le poli pour acier inoxydable sur toutes les zones avant la première utilisation.  
Appliquer après chaque nettoyage pour éviter les dommages.

- Le nettoyage doit toujours être suivi d'un rinçage à l'eau tiède, propre.
- Utiliser un poli pour métal ou un nettoyant pour acier inoxydable pour retirer les traces de doigts, les taches d'eau, l'oxydation et les taches de nourriture. Toujours suivre les directives du fabricant.
- Essuyer complètement la surface à l'aide d'un chiffon doux.

---

## ASSISTANCE OU SERVICE

Avant de faire un appel pour assistance ou service, consulter la section "Dépannage". Ce guide peut vous faire économiser le coût d'une visite de service. Si vous avez encore besoin d'aide, suivre les instructions ci-dessous.

Lors d'un appel, veuillez connaître la date d'achat, le numéro de modèle et le numéro de série au complet de l'appareil. Ces renseignements nous aideront à mieux répondre à votre demande.

### Si vous avez besoin de pièces de rechange

Si vous avez besoin de commander des pièces de rechange, nous vous recommandons d'employer uniquement des pièces spécifiées par l'usine. Les pièces spécifiées par l'usine conviendront et fonctionneront bien parce qu'elles sont fabriquées avec la même précision que celle utilisée dans la fabrication de chaque nouvel appareil KITCHENAID®.

Pour localiser des pièces spécifiées par l'usine dans votre région, nous appeler ou contacter le centre de service désigné KitchenAid le plus proche.

Veuillez appeler sans frais le Centre d'interaction avec la clientèle de KitchenAid Canada au : **1-800-807-6777**.

### Nos consultants vous renseigneront sur les sujets suivants :

- Caractéristiques et spécifications sur toute notre gamme d'appareils électroménagers.
- Consignes d'utilisation et d'entretien.
- Ventes d'accessoires et pièces de rechange.
- Références aux marchands locaux, aux distributeurs de pièces de rechange et aux compagnies de service. Les techniciens de service désignés par KitchenAid Canada sont formés pour remplir la garantie des produits et fournir un service après la garantie, partout au Canada.

### Pour plus d'assistance

Si vous avez besoin de plus d'assistance, vous pouvez soumettre par écrit toute question ou préoccupation à KitchenAid Canada à l'adresse suivante :

Centre d'interaction avec la clientèle  
KitchenAid Canada  
1901 Minnesota Court  
Mississauga, Ontario L5N 3A7

Veuillez inclure dans votre correspondance un numéro de téléphone où l'on peut vous joindre dans la journée.

---

## GARANTIE DES PRODUITS POUR USAGE EXTÉRIEUR KITCHENAID®

---

### GARANTIE LIMITÉE DE UN AN

Pendant un an à compter de la date d'achat, lorsque ce produit pour usage extérieur est utilisé et entretenu conformément aux instructions jointes à ou fournies avec le produit, KitchenAid paiera pour les pièces spécifiées par l'usine et la main-d'œuvre pour corriger les vices de matériaux ou de fabrication. Le service doit être fourni par une compagnie de service désignée par KitchenAid.

---

### GARANTIE LIMITÉE DE LA DEUXIÈME À LA CINQUIÈME ANNÉE INCLUSIVEMENT SUR LES PIÈCES POUR LES GRILS UNIQUEMENT

De la deuxième à la cinquième année inclusivement à compter de la date d'achat, lorsque ce gril est utilisé et entretenu conformément aux instructions jointes à ou fournies avec le produit, KitchenAid paiera pour les pièces spécifiées par l'usine pour corriger les vices de matériaux ou de fabrication.

---

### GARANTIE LIMITÉE À VIE SUR LES COMPOSANTS EN ACIER INOXYDABLE POUR LES GRILS UNIQUEMENT

Pour la durée de vie du produit, lorsque ce gril est utilisé et entretenu conformément aux instructions jointes à ou fournies avec le produit, KitchenAid remplacera la structure en acier inoxydable en cas de vices de matériaux ou de fabrication. Pour la durée de vie du produit, lorsque ce gril est utilisé et entretenu conformément aux instructions jointes à ou fournies avec le produit, KitchenAid paiera pour les pièces de rechange des brûleurs du gril en acier inoxydable.

---

### KITCHENAID NE PRENDRA PAS EN CHARGE

1. Les visites de service pour rectifier l'installation du produit pour usage extérieur, montrer à l'utilisateur comment utiliser le produit pour usage extérieur, remplacer ou réparer des fusibles ou rectifier le câblage ou la plomberie du domicile.
2. Les dommages au fini, tels qu'éraflures ou décoloration qui peuvent résulter de l'utilisation normale.
3. Les réparations lorsque le produit pour usage extérieur est utilisé à des fins autres que l'usage unifamilial normal.
4. Les dommages imputables à : accident, modification, usage impropre ou abusif, incendie, inondation, actes de Dieu, installation fautive ou installation non conforme aux codes d'électricité ou de plomberie, ou l'utilisation de produits non approuvés par KitchenAid.
5. L'ensemble de conversion ou l'appel de service pour la conversion de produit pour usage extérieur de gaz naturel à propane ou de propane à gaz naturel.
6. Le coût des pièces de rechange et de la main-d'œuvre pour les produits pour usage extérieur utilisés hors des États-Unis et du Canada.
7. Le ramassage et la livraison. Ce produit pour usage extérieur est conçu pour être réparé à domicile.
8. Les réparations aux pièces ou systèmes résultant d'une modification non autorisée faite au produit pour usage extérieur.
9. Les frais de voyage et de transport pour le service d'un produit dans les régions éloignées.
10. La dépose et la réinstallation de votre produit pour usage extérieur si celui-ci est installé dans un endroit inaccessible ou n'est pas installé conformément aux instructions d'installation fournies.
11. Toute main-d'œuvre après la première année.
12. Les dommages résultant de l'usure normale du produit pour usage extérieur.

---

### CLAUSE D'EXONÉRATION DE RESPONSABILITÉ AU TITRE DES GARANTIES IMPLICITES; LIMITATION DES RECOURS

LE SEUL ET EXCLUSIF RECOURS DU CLIENT DANS LE CADRE DE LA PRÉSENTE GARANTIE LIMITÉE CONSISTE EN LA RÉPARATION PRÉVUE CI-DESSUS. LES GARANTIES IMPLICITES, Y COMPRIS LES GARANTIES APPLICABLES DE QUALITÉ MARCHANDE ET D'APTITUDE À UN USAGE PARTICULIER, SONT LIMITÉES À UN AN OU À LA PLUS COURTE PÉRIODE AUTORISÉE PAR LA LOI. KITCHENAID N'ASSUME AUCUNE RESPONSABILITÉ POUR LES DOMMAGES FORTUITS OU INDIRECTS. CERTAINES JURIDICTIONS NE PERMETTENT PAS L'EXCLUSION OU LA LIMITATION DES DOMMAGES FORTUITS OU INDIRECTS, OU LES LIMITATIONS DE LA DURÉE DES GARANTIES IMPLICITES DE QUALITÉ MARCHANDE OU D'APTITUDE À UN USAGE PARTICULIER, DE SORTE QUE CES EXCLUSIONS OU LIMITATIONS PEUVENT NE PAS S'APPLIQUER DANS VOTRE CAS. CETTE GARANTIE VOUS CONFÈRE DES DROITS JURIDIQUES SPÉCIFIQUES ET VOUS POUVEZ ÉGALEMENT JOUIR D'AUTRES DROITS QUI PEUVENT VARIER D'UNE JURIDICTION À UNE AUTRE.

---

À l'extérieur du Canada et des 50 États des États-Unis, cette garantie ne s'applique pas. Contacter votre marchand KitchenAid autorisé pour déterminer si une autre garantie s'applique.

Si vous avez besoin de service, voir d'abord la section "Dépannage" du Guide d'utilisation et d'entretien. Après avoir vérifié la section "Dépannage", de l'aide supplémentaire peut être trouvée en vérifiant la section "Assistance ou service" ou en appelant KitchenAid. Aux É.-U., composer le **1-800-422-1230**. Au Canada, composer le **1-800-807-6777**. 11/06

---

**Conservez ce manuel et votre reçu de vente ensemble pour référence ultérieure. Pour le service sous garantie, vous devez présenter un document prouvant la date d'achat ou d'installation.**

Inscrivez les renseignements suivants au sujet de votre gros appareil ménager pour mieux vous aider à obtenir assistance ou service en cas de besoin. Vous devrez connaître le numéro de modèle et le numéro de série au complet. Vous trouverez ces renseignements sur la plaque signalétique située sur le produit.

Nom du marchand \_\_\_\_\_

Adresse \_\_\_\_\_

Numéro de téléphone \_\_\_\_\_

Numéro de modèle \_\_\_\_\_

Numéro de série \_\_\_\_\_

Date d'achat \_\_\_\_\_

**W10118096A**

© 2007. All rights reserved.  
Tous droits réservés.

® Registered Trademark/TM Trademark of KitchenAid, U.S.A., KitchenAid Canada licensee in Canada  
® Marque déposée/TM Marque de commerce de KitchenAid, U.S.A., Emploi sous licence par KitchenAid Canada au Canada

7/07  
Printed in China  
Imprimé en Chine