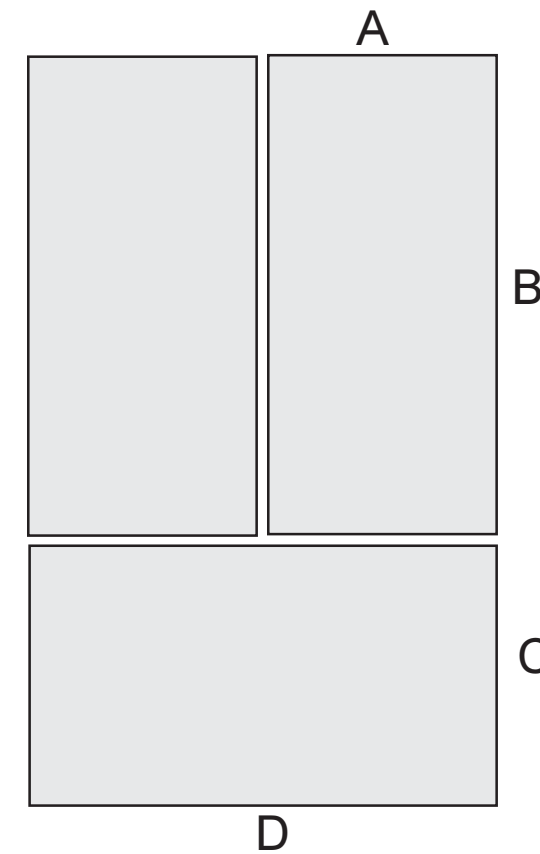
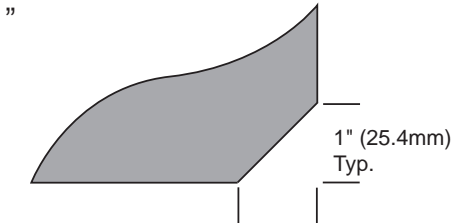


Decorator Panel Dimensions and Installation.



Panel Type	Front Panel	Spacer Panel	Backing Panel*
A	17-3/4" (451mm)	16-3/4" (425mm)	17-3/16" (437mm)
B	44-1/8" (1121mm)	43-3/16" (1097mm)	43-3/4" (1111mm)
C	24" (610mm)	23" (584mm)	23-9/16" (599mm)
D	35-3/4" (908mm)	34-3/4" (883mm)	35-1/4" (895mm)
Thickness	3/4" max (19mm)	1/16" (2mm)	1/4" (6mm)

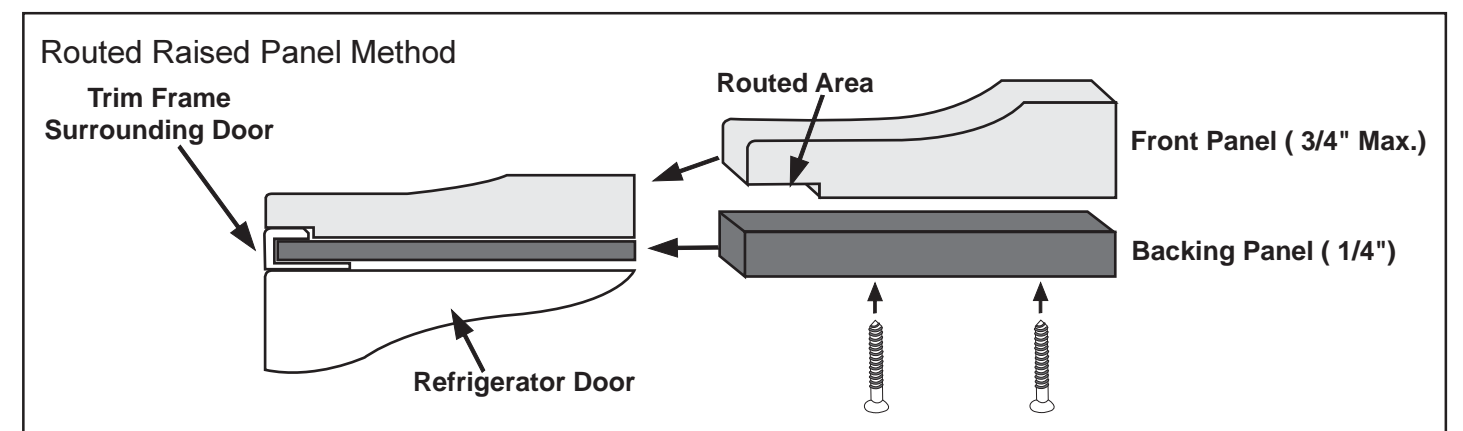
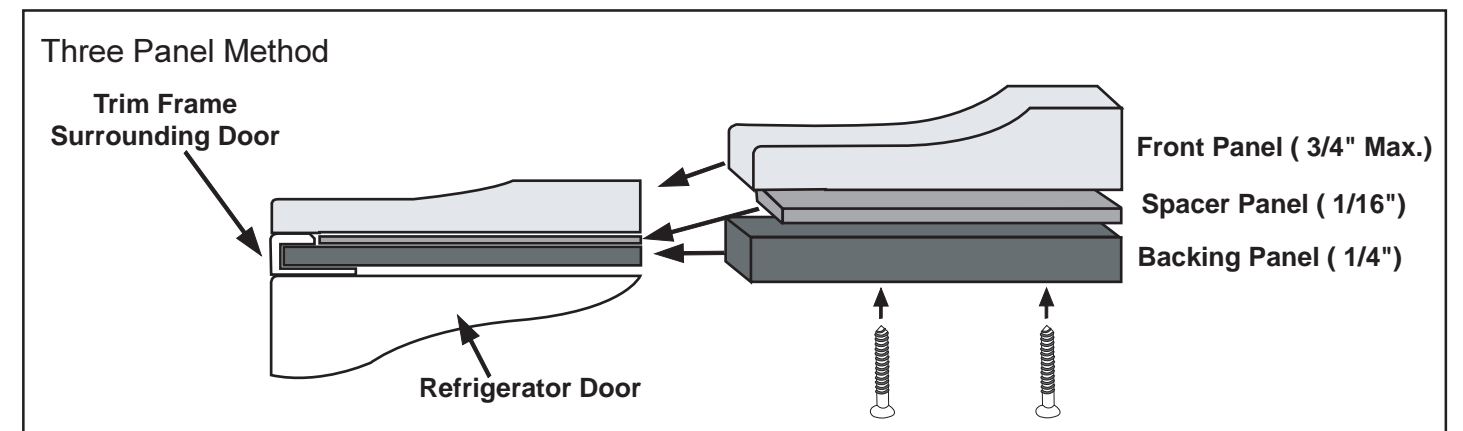
* For ease of installation cut backer panel corners at 45° - 1" x 1"



WEIGHT REQUIREMENTS FOR PANEL INSERTS

- Individual refrigerator door panels should not exceed 15 lbs. (7 kg).
- Freezer drawer panel should not exceed 15 lbs. (7 kg).

Suggested Panel Assembly Methods



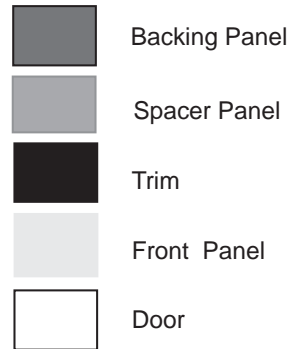
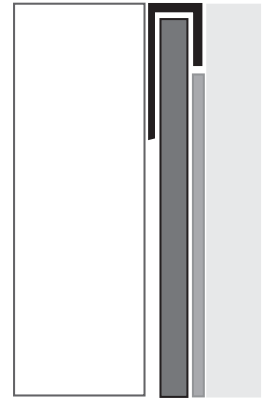
Decorator Panel Installation

⚠ WARNING

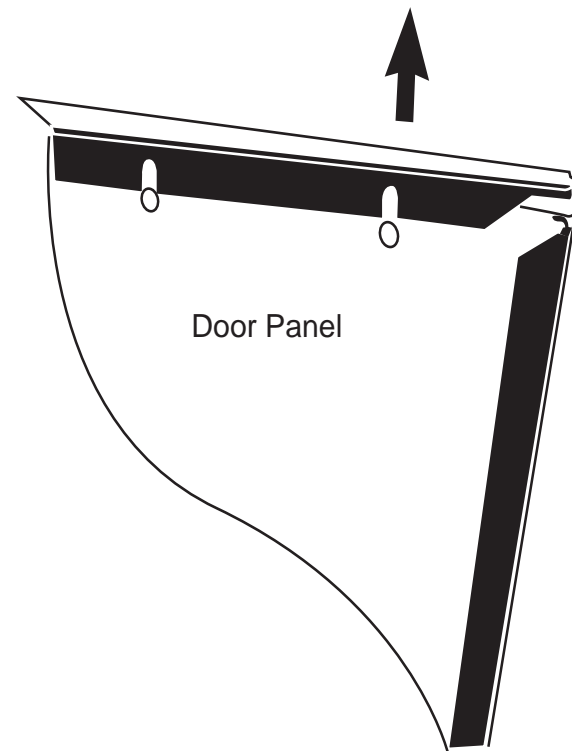
Excessive Weight Hazard

Use two or more people to move and install refrigerator.

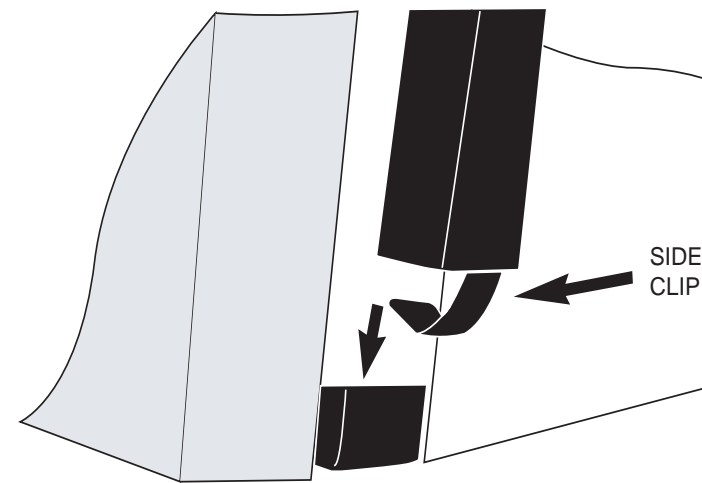
Failure to do so can result in back or other injury.



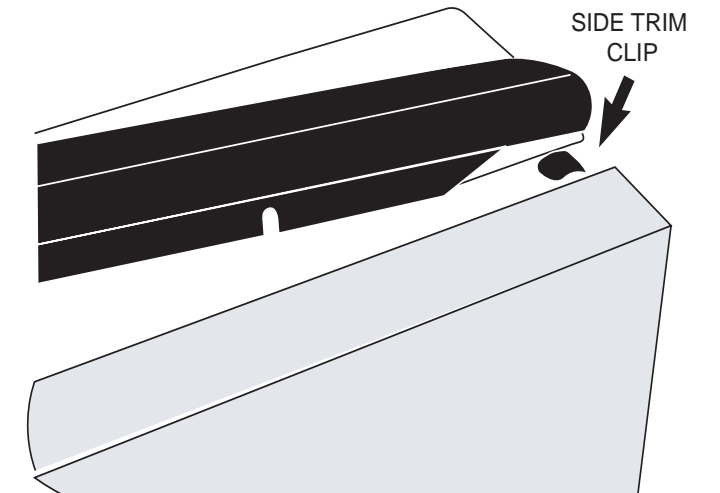
1. Lift upper locking trim from the door .



3. Slide decorator panel under edges of bottom and side trim pieces. Reinstall side trim, assuring the side trim clip locates to the inside corner of the bottom trim.

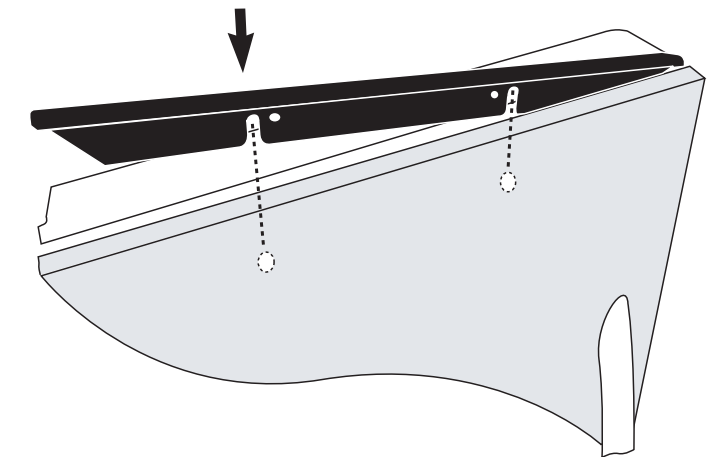


5. Align the upper locking trim with the clips on top of the side trim.

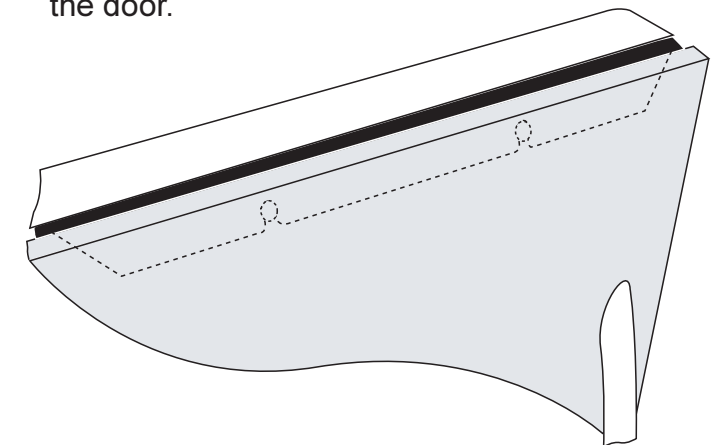


6. Assure the upper locking trim grooves engage the rivets on the door panel while simultaneously seating into the decorator panel groove.

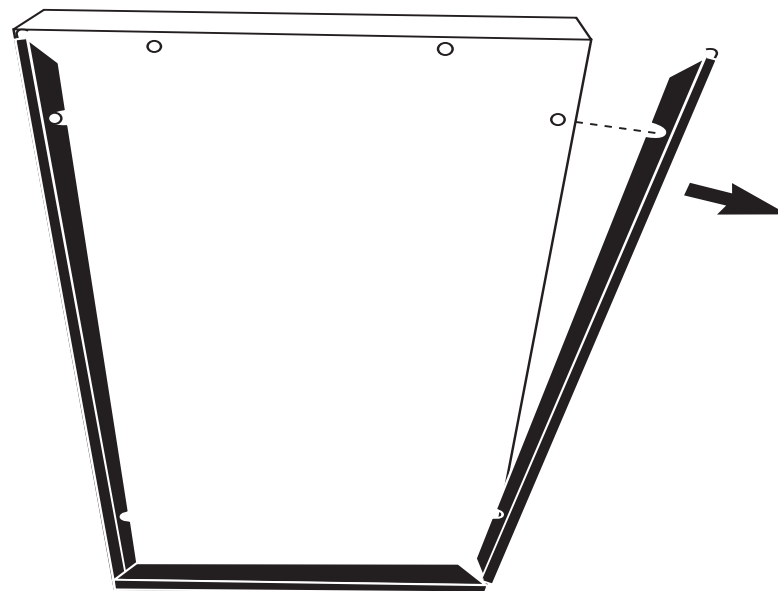
7. Apply firm pressure to the upper locking trim to hold panel in place.



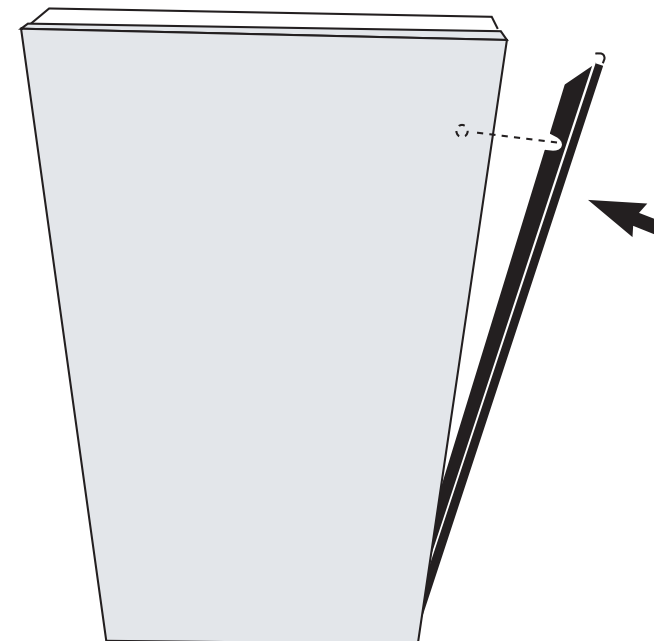
8. Fully seated top trim completely covers clips of side trim and is close to flush with the top of the door.



2. Remove side trim from door .
(either side)



4. Rotate side trim to seat into the decorator panel groove.



Installation common with all panels.

NOTE: Consult your cabinetmaker for creation of decorator panels. Customer to provide own handles.

See user guide for door removal if necessary.

NOTE: For ease of assembly and to familiarize yourself with the installation process, add the custom panel to the lower freezer drawer first.