

KitchenAid® Wall-Mount Canopy Range Hood

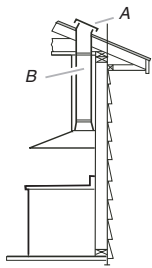
PRODUCT MODEL NUMBERS

KWCU405S

Electrical: 120-volt, 60-Hz, AC-only, 15-amp. electrical supply. Use copper wire only. A time-delay fuse or circuit breaker and separate circuit is recommended.

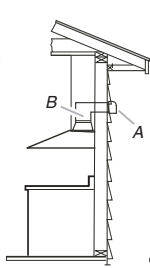
VENTING REQUIREMENTS

Roof Venting



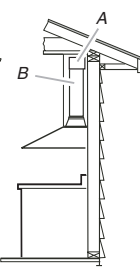
A. Roof cap
B. 6" (15.2 cm) round vent

Wall Venting





A. Wall cap
B. 6" (15.2 cm) round vent

Non-vented (recirculating)

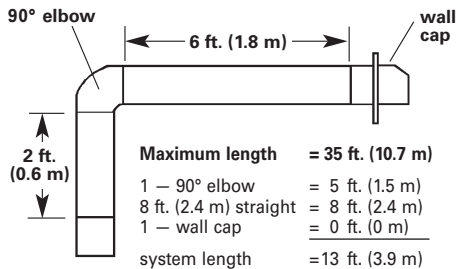


A. Deflector
B. 6" (15.2 cm) round vent

To calculate the length of the system you need, add the equivalent feet for each vent piece used in the system.

Vent piece	6" (15.2 cm) round
45° elbow	2.5 feet (0.8 m) 
90° elbow	5.0 feet (1.5 m) 

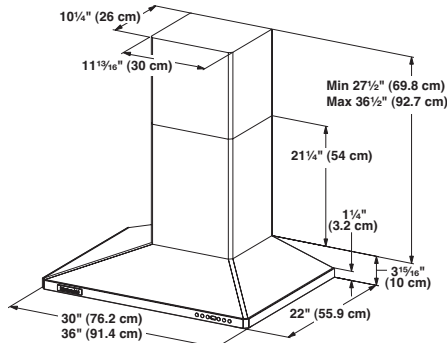
6" (15.2 cm) vent system



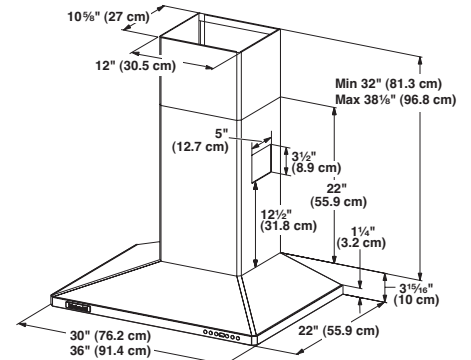
Note: Flexible vent is **Not** recommended.

OVERALL DIMENSIONS

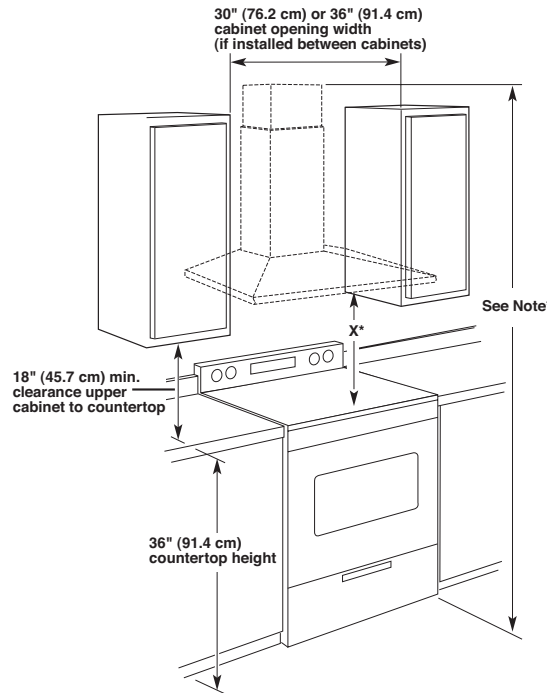
Vented chimney dimensions



Non-vented (recirculating) chimney dimensions



CABINET OPENING DIMENSIONS



Note: The hood chimneys are adjustable and designed to meet varying ceiling or soffit heights depending on the distance "X" between the bottom of the hood and the cooking surface. For higher ceilings, a 40" (101.6 cm) Chimney Extension Kit No. 8212710 (Stainless Steel), 8212711 (White), or 8212712 (Black) is available. The chimney extension replaces the upper chimney shipped with the hood. The chimney extension can be cut as needed. For shorter ceilings or soffits, the upper chimney can be cut.

Important:
Minimum distance "X": 24" (61.0 cm)
Suggested maximum distance "X": 30" (76.2 cm)

For vented installations, the chimneys can be adjusted for ceilings between 7' 6-3/8" (2.30 m) and 9' 0" (2.74 m).

For non-vented (recirculating) installations, the chimneys can be adjusted for ceilings between 8' 3-3/8" (2.45 m) and 9' 5-1/4" (2.88 m).

Important:
As hood height (distance X) **increases**, hood's venting effectiveness **decreases**.