

KitchenAid®

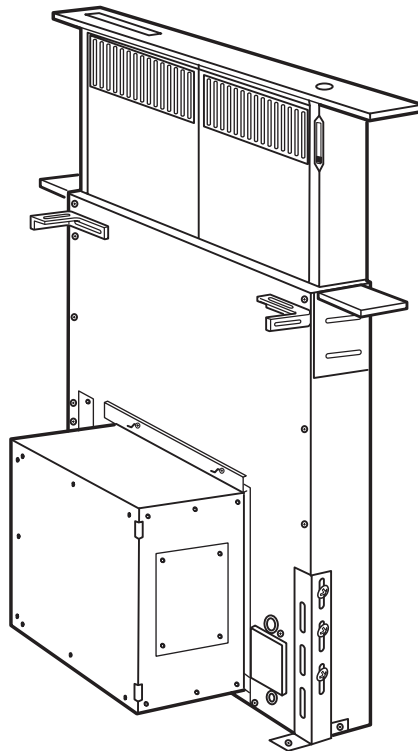
**30" (76.2 CM) AND 36" (91.4 CM)
RETRACTABLE (POP-UP) DOWNDRAFT VENT
SYSTEM**

Installation Instructions and Use & Care Guide

**SYSTÈME DE VENTILATION RÉTRACTABLE
(CLAPET) DE 30" (76,2 CM) ET 36" (91,4 CM) -
ASPIRATION PAR LE BAS**

Instructions d'installation et Guide d'utilisation et d'entretien

Table of Contents/Table des matières..... 2



**IMPORTANT: READ AND SAVE THESE INSTRUCTIONS.
FOR RESIDENTIAL USE ONLY.**

**IMPORTANT : LIRE ET CONSERVER CES INSTRUCTIONS.
POUR UTILISATION RÉSIDENIELLE UNIQUEMENT.**

TABLE OF CONTENTS

VENT SYSTEM SAFETY	3
INSTALLATION REQUIREMENTS	4
Tools and Parts	4
Location Requirements	4
Electrical Requirements	7
Venting Requirements.....	7
INSTALLATION INSTRUCTIONS	
INTERIOR-MOUNTED VENT MOTOR	8
Venting Methods - Interior Mounted Vent Motor Only	8
Install Vent System.....	9
Complete Installation	13
Make Electrical Connections	13
Check Operation	14
INSTALLATION INSTRUCTIONS	
EXTERIOR-MOUNTED VENT MOTOR	15
Venting Methods	15
Install Vent System.....	16
Electrical Connection	17
Complete Installation	18
VENT SYSTEM USE	19
Operating Downdraft Vent	19
VENT SYSTEM CARE	19
Surface of Downdraft Vent.....	19
Filters	19
WIRING DIAGRAM	20
ASSISTANCE OR SERVICE	21
WARRANTY	22

TABLE DES MATIÈRES

SÉCURITÉ DU SYSTÈME DE VENTILATION	23
EXIGENCES D'INSTALLATION	25
Outillage et pièces	25
Exigences d'emplacement	25
Spécifications électriques	28
Exigences concernant l'évacuation	28
INSTRUCTIONS D'INSTALLATION	
VENTILATEUR MONTÉ À L'INTÉRIEUR	29
Méthodes d'extraction - Seulement pour un ventilateur monté à l'intérieur	29
Installation du système d'extraction	30
Achever l'installation	34
Raccordements électriques	34
Contrôle du fonctionnement	35
INSTRUCTIONS D'INSTALLATION	
VENTILATEUR MONTÉ À L'EXTÉRIEUR	36
Méthodes d'extraction	36
Installation du système d'extraction	37
Raccordement électrique.....	38
Achever l'installation	39
UTILISATION DU SYSTÈME D'EXTRACTION	40
Utilisation du système d'extraction.....	40
ENTRETIEN DU SYSTÈME	40
Surface de l'appareil	40
Filtres	40
SCHÉMA DE CÂBLAGE	41
ASSISTANCE OU SERVICE	42
GARANTIE	43

VENT SYSTEM SAFETY

Your safety and the safety of others are very important.

We have provided many important safety messages in this manual and on your appliance. Always read and obey all safety messages.



This is the safety alert symbol.

This symbol alerts you to potential hazards that can kill or hurt you and others.

All safety messages will follow the safety alert symbol and either the word "DANGER" or "WARNING."

These words mean:

⚠ DANGER

You can be killed or seriously injured if you don't immediately follow instructions.

⚠ WARNING

You can be killed or seriously injured if you don't follow instructions.

All safety messages will tell you what the potential hazard is, tell you how to reduce the chance of injury, and tell you what can happen if the instructions are not followed.

IMPORTANT SAFETY INSTRUCTIONS

WARNING: TO REDUCE THE RISK OF FIRE, ELECTRIC SHOCK, OR INJURY TO PERSONS, OBSERVE THE FOLLOWING:

- Use this unit only in the manner intended by the manufacturer. If you have questions, contact the manufacturer.
- Before servicing or cleaning the unit, switch power off at service panel and lock the service disconnecting means to prevent power from being switched on accidentally. When the service disconnecting means cannot be locked, securely fasten a prominent warning device, such as a tag, to the service panel.
- Installation work and electrical wiring must be done by qualified person(s) in accordance with all applicable codes and standards, including fire-rated construction.
- Sufficient air is needed for proper combustion and exhausting of gases through the flue (chimney) of fuel burning equipment to prevent backdrafting. Follow the heating equipment manufacturer's guideline and safety standards such as those published by the National Fire Protection Association (NFPA), the American Society for Heating, Refrigeration and Air Conditioning Engineers (ASHRAE), and the local code authorities.
- When cutting or drilling into wall or ceiling; do not damage electrical wiring and other utilities.
- Ducted fans must always be vented outdoors.

CAUTION: For general ventilating use only. Do not use to exhaust hazardous or explosive materials and vapors.

CAUTION: To reduce risk of fire and to properly exhaust air, be sure to duct air outside - do not vent exhaust air into spaces within walls or ceilings, attics or into crawl spaces, or garages.

WARNING: TO REDUCE THE RISK OF FIRE, USE ONLY METAL DUCTWORK.

WARNING: TO REDUCE THE RISK OF A RANGE TOP GREASE FIRE:

- Never leave surface units unattended at high settings. Boilovers cause smoking and greasy spillovers that may ignite. Heat oils slowly on low or medium settings.
- Always turn hood ON when cooking at high heat or when flambeing food (i.e. Crepes Suzette, Cherries Jubilee, Peppercorn Beef Flambé).
- Clean ventilating fans frequently. Grease should not be allowed to accumulate on fan or filter.
- Use proper pan size. Always use cookware appropriate for the size of the surface element.

WARNING: TO REDUCE THE RISK OF INJURY TO PERSONS IN THE EVENT OF A RANGE TOP GREASE FIRE, OBSERVE THE FOLLOWING:^a

- SMOTHER FLAMES with a close fitting lid, cookie sheet, or metal tray, then turn off the burner. BE CAREFUL TO PREVENT BURNS. If the flames do not go out immediately, EVACUATE AND CALL THE FIRE DEPARTMENT.
- NEVER PICK UP A FLAMING PAN - you may be burned.
- DO NOT USE WATER, including wet dishcloths or towels - a violent steam explosion will result.
- Use an extinguisher ONLY if:
 - You know you have a class ABC extinguisher, and you already know how to operate it.
 - The fire is small and contained in the area where it started.
 - The fire department is being called.
 - You can fight the fire with your back to an exit.

^aBased on "Kitchen Fire Safety Tips" published by NFPA.

SAVE THESE INSTRUCTIONS

INSTALLATION REQUIREMENTS

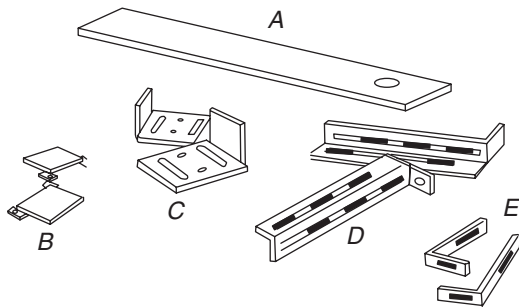
Tools and Parts

Gather the required tools and parts before starting installation. Read and follow the instructions provided with any tools listed here.

Tools Needed

- Jigsaw or keyhole saw
- Drill
- 1/8" (3 mm) drill bit for pilot holes
- Pencil
- Tape measure or ruler
- Flat-blade screwdriver
- Phillips screwdriver
- 3/8" (9.5 mm) nut driver or ratchet
- Level
- Pliers
- Metal snips
- Wire stripper or utility knife
- Caulking gun and weatherproof caulking compound
- Vent clamps

Parts Supplied



- A. Top trim (1)
- B. End caps (2)
- C. Overcounter support brackets (2)
- D. Lower support legs (2)
- E. Undercounter mounting brackets (2)

Other Parts Supplied

- Bag of fasteners (1)
- Metal cover (1)
- Optional support and 2 screws (36" [91.4 cm] models only)
- 6" diameter backdraft damper

Parts Needed

- Two UL listed or CSA approved 1/2" (12.7 mm) conduit connectors (Three are required if the exterior-mounted vent motor is used.)
- Wall cap for interior-mounted motor (1)
- Vent system
- Home power supply cable
- Wiring cable for optional remote blower kit
- UL listed wire connectors (4)

Location Requirements

NOTE: Downdraft vent is installed directly behind the cooktop. Install the downdraft vent first, then install the cooktop.

IMPORTANT: Observe all governing codes and ordinances.

- Have a qualified technician install the downdraft vent. It is the installer's responsibility to comply with installation clearances specified on the model/serial rating plate. The model/serial rating plate is located on the front of the downdraft vent above the terminal box cover.
- Downdraft vent location should be away from strong draft areas, such as windows, doors, and strong heating vents or fans.
- Cabinet opening dimensions that are shown must be used. Given dimensions provide minimum clearance.
- Consult the cooktop manufacturer installation instructions before making any cutouts.

Check that the downdraft vent and cooktop location will clear the cabinet walls, backsplash, and rear wall studs inside the cabinet.

Check for the minimum distance between the front edge of the countertop and the front edge of the cooktop. The minimum horizontal distance between the overhead cabinets is the same as the width of the installed downdraft vent.

- All openings in ceiling and wall where the downdraft vent will be installed must be sealed.
- Grounded electrical outlet is required. See "Electrical Requirements" section.
- When installing the downdraft vent, the cabinet drawer will need to be removed and the drawer front installed permanently to the cabinet.

Cabinet Construction:

Downdraft vent is designed for use in a cabinet with a depth of 24" (61 cm). Some installations require a countertop deeper than 25" (63.5 cm). See the Countertop Cutout Dimensions section.

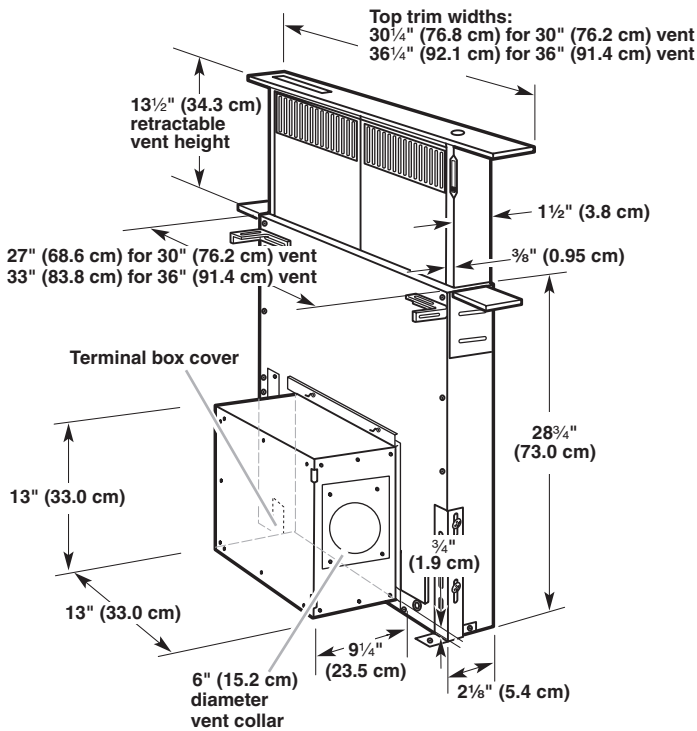
The maximum depth of the overhead cabinet is 13" (33 cm). Overhead cabinets installed at either side of the downdraft vent must be 18" (45.7 cm) above the cooking surface.

For Mobile Home Installations

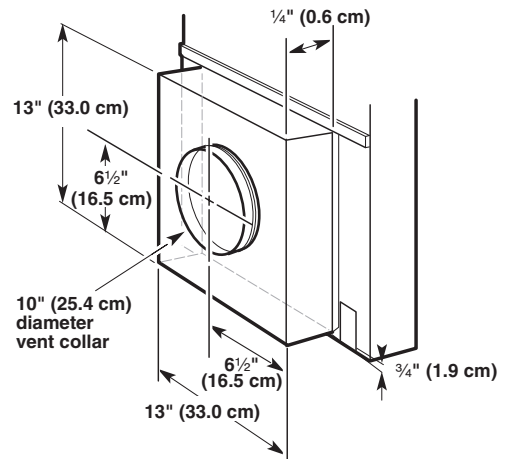
The installation of this range hood must conform to the Manufactured Home Construction Safety Standards, Title 24 CFR, Part 328 (formerly the Federal Standard for Mobile Home Construction and Safety, title 24, HUD, Part 280) or when such standard is not applicable, the standard for Manufactured Home Installation 1982 (Manufactured Home Sites, Communities and Setups) ANSI A225.1/NFPA 501A*, or latest edition, or with local codes.

Product Dimensions

Interior-mounted blower motor model

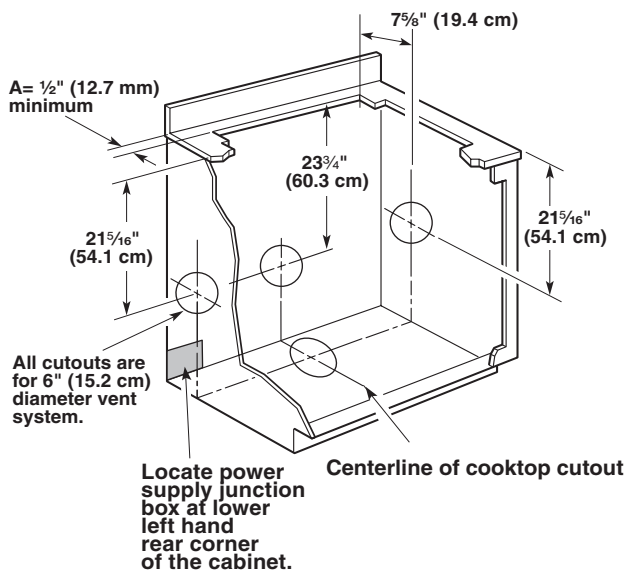


Exterior-mounted blower motor model - used with Part Number KPEC992M

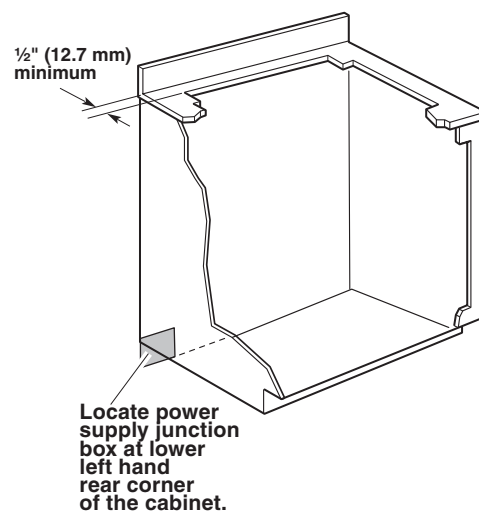


Cabinet Dimensions

Interior-mounted blower motor model



Exterior-mounted blower motor model



NOTES:

- See cooktop manufacturer's instructions for cooktop cutout depth and width.
- Use dimensions for vent system cutout location that applies to your installation.
- Interior mounted blower systems connect with 6" (15.2 cm) round vent. The cutout locations for this vent system will depend on your specific installation.

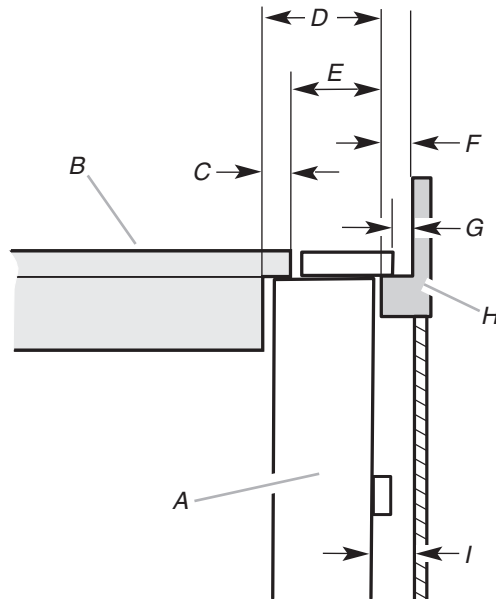
NOTES:

- See cooktop manufacturer's instructions for cooktop cutout depth and width.
- Exterior-mounted blower systems connect with 10" (25.4 cm) round vent. The cutout locations for this vent system will depend upon your specific installation.

Countertop Cutout Dimensions

IMPORTANT: Countertops with a bullnosed front edge are not recommended for these installations.

- Some models require a countertop deeper than 25" (63.5 cm); see the following Countertop Cutout Dimensions section.
- To avoid mistakes, it is recommended that the cooktop and vent cutouts be drawn on the countertop before making any cutouts.
- See Cooktop Installation Instructions for complete cutout dimensions, location dimensions and installation details.



A. Downdraft vent

B. Cooktop

C. Measurement of cooktop rear overhang.

D. $D = \text{Measurement of cooktop rear overhang (C)} + 1 \frac{13}{16}'' [46.2 \text{ mm}]$ (E)

E. $1 \frac{13}{16}'' (46.2 \text{ mm})$

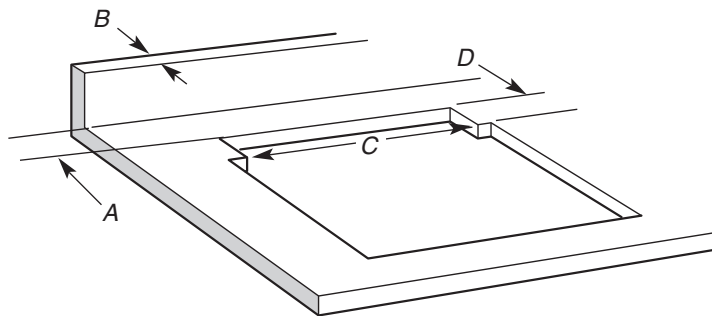
F. $\frac{1}{2}'' (12.7 \text{ mm})$ minimum

G. $\frac{1}{4}'' (6.4 \text{ mm})$ minimum

H. Countertop and backsplash

I. $\frac{1}{2}'' (12.7 \text{ mm})$ minimum

Countertop Cutout Dimensions



A. $\frac{1}{2}'' (12.7 \text{ mm})$ minimum to backsplash or rear wall

B. $\frac{3}{4}'' (19.1 \text{ mm})$ maximum backsplash depth

C. $27 \frac{1}{2}'' (69.9 \text{ cm})$ on $30'' (76.2 \text{ cm})$ models
 $33 \frac{1}{2}'' (85.9 \text{ cm})$ on $36'' (91.4 \text{ cm})$ models

D. $D = \text{Measurement of cooktop rear overhang} + 1 \frac{13}{16}'' (46.2 \text{ mm})$

Electrical Requirements

IMPORTANT: Observe all governing codes and ordinances. Save Installation Instructions for electrical inspector's use.

It is the customer's responsibility to contact a qualified electrical installer, and to ensure that the electrical installation is adequate and in conformance with National Electrical Code, ANSI/NFPA 70 (latest edition), or CSA Standards C22.1-94, Canadian Electrical Code, Part 1 and C22.2 No. 0-M91 (latest edition) and all local codes and ordinances.

If codes permit and a separate ground wire is used, it is recommended that a qualified electrician determine that the ground path is adequate.

A copy of the above code standards can be obtained from:

National Fire Protection Association
One Batterymarch Park, Quincy, MA 02269

CSA International
8501 East Pleasant Valley Road
Cleveland, OH 44131-5575

- This fan is suitable for use with solid state speed controls.
- A 120 Volt, 60 Hz., AC only 15-amp fused, electrical circuit is required.
- Check with a qualified electrician if you are not sure the downdraft vent is properly grounded.

- The downdraft vent must be connected with copper wire only.
- The downdraft vent should be connected directly to the circuit breaker (or fused disconnect) box through flexible armored or nonmetallic sheathed copper cable. Allow some slack in the cable so the downdraft vent can be moved if servicing is ever necessary.
- Wire sizes (copper wire only) and connections must conform with the rating of the appliance as specified on the model/serial rating plate located on the front of the downdraft vent above the wiring box cover.
- Wire sizes must conform to the requirements of the National Electrical Code, ANSI/NFPA 70 (latest edition), or CSA Standards C22.1-94, Canadian Electrical Code, Part 1 and C22.2 No. 0-M91 (latest edition) and all local codes and ordinances.
- Two UL listed or CSA approved ½" (12.7 mm) conduit connectors (Three are required if the exterior-mounted vent motor is used.)
- A wiring diagram is located on the downdraft vent base above the power control board cover.

Venting Requirements

IMPORTANT: Make sure there is proper clearance within the wall or floor before making exhaust vent cutouts.

- Use heavy (rigid) metal vent.
- Venting system must terminate to the outside.
- Do not terminate the vent system in an attic or other enclosed area.
- Do not use 4" (10.2 cm) laundry-type wall caps.
- Do not install 2 elbows together.
- Do not use plastic or metal foil vent.
- The length of vent system and number of elbows should be kept to a minimum to provide efficient performance.
- Use no more than three 90° elbows

- Make sure there is a minimum of 24" (61 cm) of straight vent between the elbows if more than one elbow is used.
- Use clamps to seal all joints in the vent system.
- Use caulking tape to seal the exterior wall or floor opening around cap.
- Do not cut joist or stud. If vent cutout falls over a joist or stud, a supporting frame must be constructed.

Flexible metal vent is not recommended. If it is used, calculate each foot of flexible vent as 2 ft (0.6 m) of rigid metal vent.

Flexible elbows count twice as much as standard elbows.

Recommended vent system length:

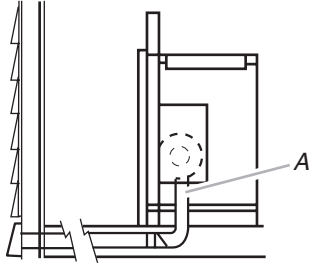
For either interior-mounted or exterior-mounted blower installations, the vent system length should not exceed the maximum lengths listed in the Maximum Length of Vent System chart. See "Calculating Vent System Length" in the "Venting Methods - Interior Mounted Vent Motor Only" section.

INSTALLATION INSTRUCTIONS INTERIOR-MOUNTED VENT MOTOR

Venting Methods - Interior Mounted Vent Motor Only

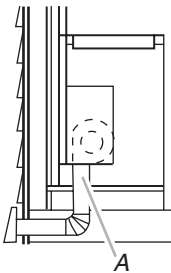
Determine which venting method is best for your application.
Vent system can terminate through either the wall or floor.

Island location

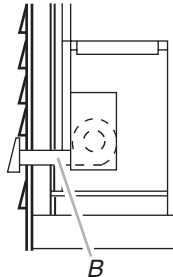


A. Down vent

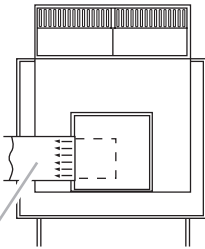
Built-in cabinet locations



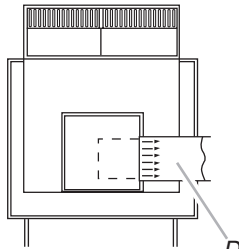
A



B



C



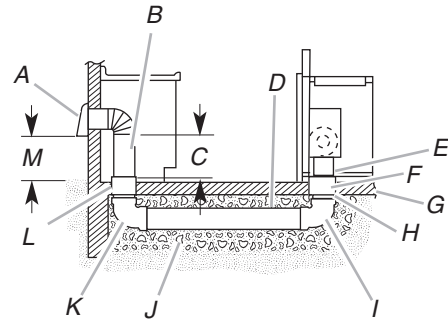
D

A. Down vent
B. Rear vent

C. Left vent
D. Right vent

Island Location

Vent system installed under a concrete slab using PVC sewer pipe.



- A. Wall cap
- B. 6" (15.2 cm) round metal vent
- C. 16" (40.6 cm) maximum
- D. 6" (15.2 cm) round PVC sewer pipe
- E. 6" (15.2 cm) round metal vent
- F. 6" (15.2 cm) round PVC coupling
- G. Concrete slab
- H. 6" (15.2 cm) round PVC sewer pipe
- I. 6" (15.2 cm) round 90° PVC sewer pipe elbow
- J. Tightly pack gravel or sand completely around pipe.
- K. 6" (15.2 cm) round 90° PVC sewer pipe elbow
- L. 6" (15.2 cm) round PVC coupling
- M. 12" (30.5 cm) minimum




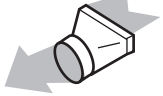
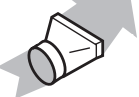
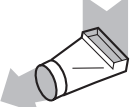
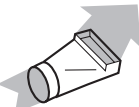
Calculating Vent System Length

It is recommended that you use round vent instead of rectangular vent, especially if elbows are required. If rectangular vent is required, it should be transitioned to 6" (15.2 cm) round vent as soon as possible.

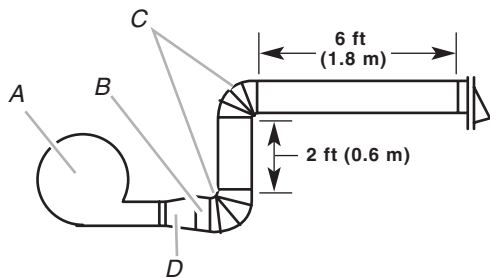
Maximum Length of Vent System

Vent	Length
6" (15.2 cm) round	35 ft (8.9 m)
3¼" x 10" (8.3 cm x 25.4 cm)	35 ft (8.9 m)

To calculate the length of the system you need, add the equivalent feet (meters) for each vent piece used in the system.

Vent Piece	6" (15.2 cm) Round	
45° elbow	2.5 ft (0.8 m)	
90° elbow	5.0 ft (1.5 m)	
6" (15.2 cm) wall cap	0.0 ft (0.0 m)	
3¼" x 10" (8.3 cm x 25.4 cm) to 6" (15.2 cm) transition	4.5 ft (1.4 m)	
6" (15.2 cm) to 3¼" x 10" (8.3 cm x 25.4 cm) transition	1 ft (0.3 m)	
3¼" x 10" (8.3 cm x 25.4 cm) to 6" (15.2 cm) 90° elbow transition	5.0 ft (1.5 m)	
6" (15.2 cm) to 3¼" x 10" (8.3 cm x 25.4 cm) 90° elbow transition	5.0 ft (1.5 m)	

Example Vent System



- A. Blower motor
- B. Transition
- C. 90° elbows
- D. 6" backdraft damper (supplied)

The following example falls within the maximum vent length of 35 ft (8.9 m).

2 - 90° elbow	= 10.0 ft (3 m)
1 - wall cap	= 0.0 ft (0.0 m)
8 ft (2.4 m) straight	= 8.0 ft (2.4 m)
Transition	= 4.5 ft (1.4 cm)

Length of 6" (15.2 cm) system = 22.5 ft (6.8 m)

Install Vent System

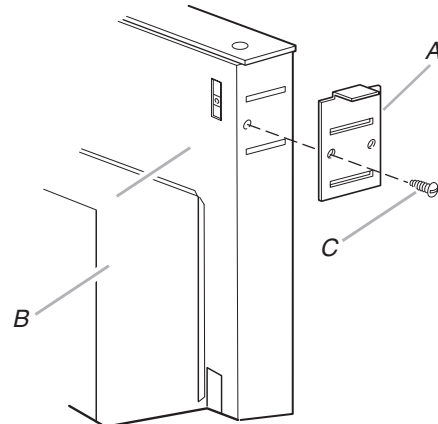
⚠ WARNING

Excessive Weight Hazard

Use two or more people to move and install downdraft vent.

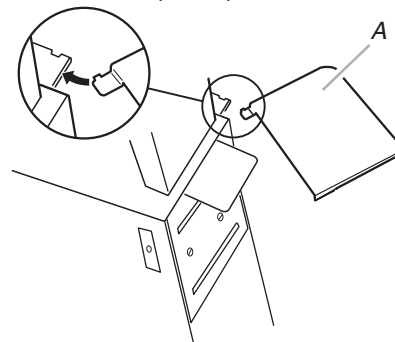
Failure to do so can result in back or other injury.

1. Place cardboard or similar material on top of a flat surface where you can easily assemble the downdraft vent system.
2. Remove parts packages, downdraft vent and blower box from the carton.
3. Remove all shipping materials, tape and film from the downdraft vent and blower box.
4. Remove screws from each side of the vent. Attach the left and right side overcounter support brackets to the downdraft vent and push up to align the screw holes. Use screws to secure the brackets.



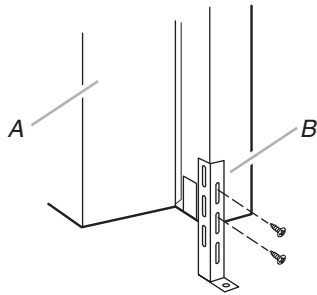
- A. Overcounter support bracket
- B. Blower motor box
- C. Overcounter support bracket screw

5. Attach the left and right side end caps to the downdraft vent. Place the end cap upon the overcounter support, slide the tab into the slot and snap into place over the plastic tabs.



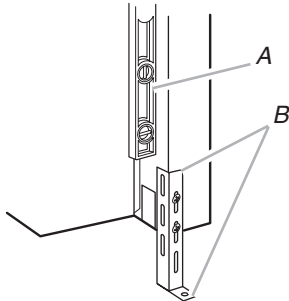
A. End cap

- Attach support legs to the side of the downdraft vent with 2 screws in each leg. Do not tighten screws.



A. Blower motor box
B. Support leg

- Using 2 or more people, insert the downdraft vent into the countertop cutout. Check that downdraft vent is parallel to side of cutout and that mounting brackets overlap countertop.
- Move support legs down against cabinet floor. Place a level against the front of the downdraft vent base and adjust until downdraft vent is level vertically. Use a pencil to mark the top of each leg on the downdraft vent and the location of the support leg mounting holes on the cabinet floor.



A. Level
B. Mark locations.

- Remove downdraft vent from cutout. Drill starter holes at each mounting screw location on the cabinet floor. Align top of legs with pencil marks on the face of the downdraft vent. Tighten screws in legs.

Determine which direction is best for your installation.

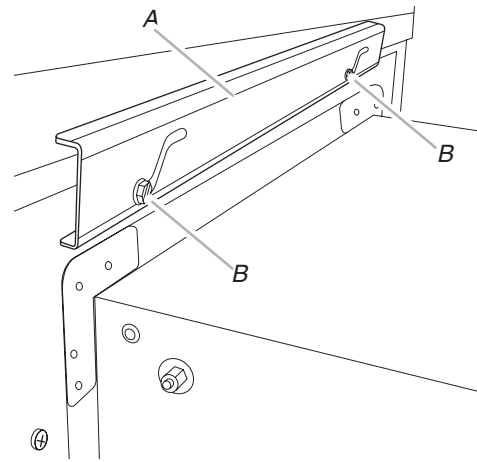
When installed in a cabinet, vent system can exhaust through the bottom, right, left or rear of the cabinet.

Bottom venting:

Downdraft vent is shipped with blower in down venting position so no modification is required. Go to Step 9.

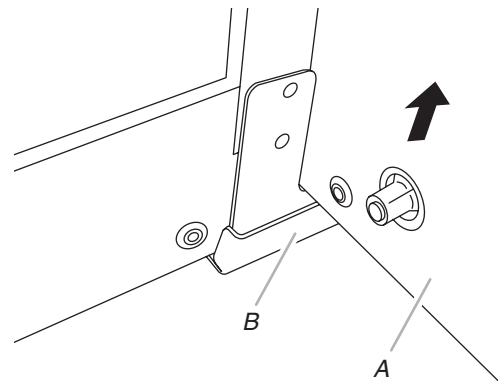
Left or right venting:

- Loosen the 2 hex/slotted head screws that attach the top bracket that secures the motor to the vent box enough to slide the bracket into the "Z" slots. This will move the bracket away from the top mounting lip of the blower box and allow it to tilt away from the vent box panel.



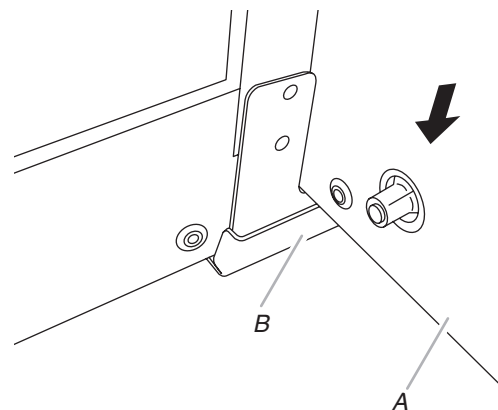
A. Bracket with "Z" slots
B. Hex/slotted head screws (2)

- Lift up the blower box from the bottom mounting channel.



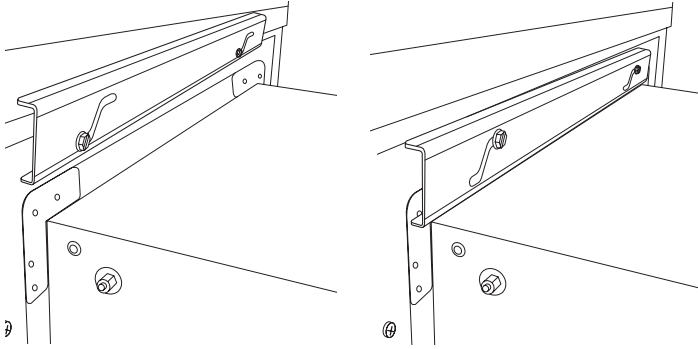
A. Blower box
B. Bottom mounting channel

- Rotate it 90 degrees to the left or right so that the vent blower damper is repositioned in the direction needed. Do not twist or bind the wires or disconnect the wiring from the blower.
- Place the bottom tab of the blower box into the bottom mounting channel.



A. Blower box
B. Bottom mounting channel

5. Tilt blower box top tab so it is flush with the vent box panel and position it under the top mounting bracket. Slide bracket into the "Z" slots and tighten the 2 hex/slotted head screws to secure.

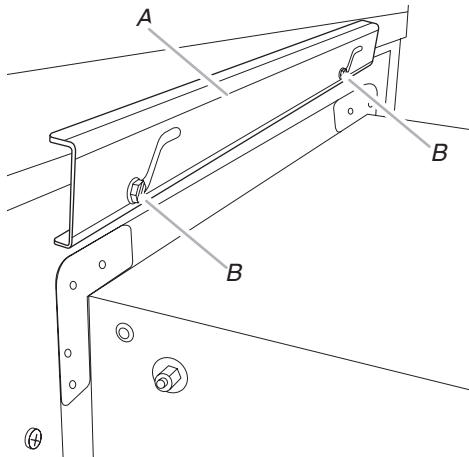


NOTE: Optional blower motor mounting position (opposite side). The blower motor box assembly can also be moved to the opposite side of the vent.

1. Remove blower motor box assembly. Follow steps 1 and 2 above.
2. Disconnect the wire connector from the blower motor (see Step 3 of rear venting).
3. Remove panel from the opposite side by loosening the screws in the "Z" slots and sliding the top bracket the same as for the motor box assembly.
4. Install the blower motor box assembly to the opposite side of vent box. Place in the position for the venting method for interior mounted motor, as required.
5. Reconnect wire connector to the blower motor.
6. Install panel cover to the opposite side of the blower motor.

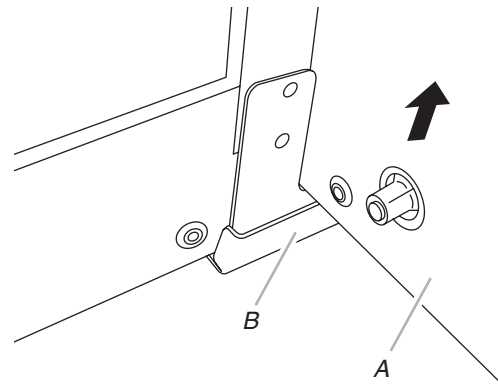
Rear Venting:

1. Remove the vent box. Loosen the 2 hex/slotted head screws that attach the top bracket that secures the motor to the vent box enough to slide the bracket into the "Z" slots. This will move the bracket away from the top mounting lip of the blower box and allow it to tilt away from the vent box panel.



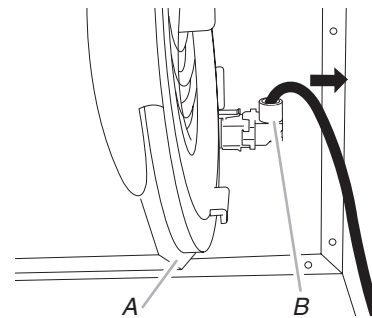
A. Bracket with "Z" slots
B. Hex/slotted head screws (2)

2. Lift up the blower box from the bottom mounting channel and set aside.



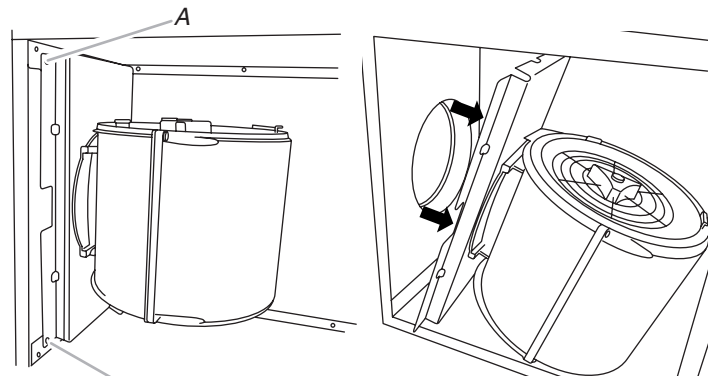
A. Blower box
B. Bottom mounting channel

3. Disconnect the wire connector from the blower motor.



A. Blower motor
B. Wire connector

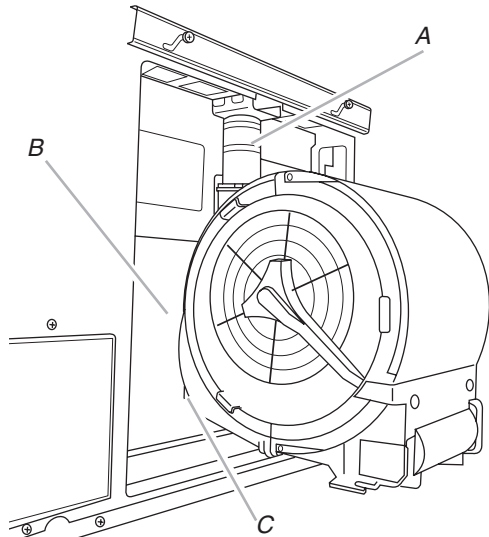
4. Remove the 2 screws that mount the motor mounting bracket to the vent box. Remove the blower motor and mounting bracket assembly from the vent box.



A. Blower motor mounting bracket screws (2)

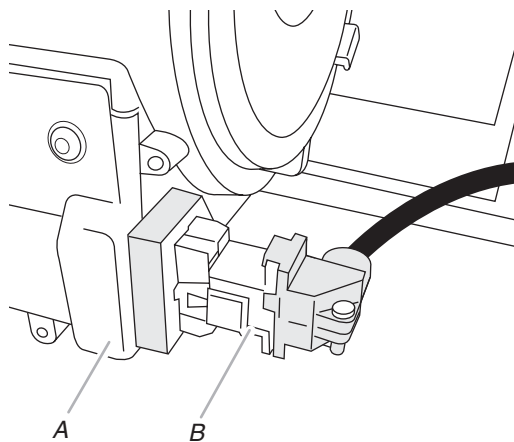
5. Remove the 4 screws from the small cover plate on the rear of the vent chamber and set screws and cover plate aside.

6. Install blower motor and mounting bracket assembly to the bracket just below the downdraft tower motor. The blower exhaust opening should fit through the hole in the large cover plate on the opposite side of the vent chamber where the small cover plate was removed. Replace the 2 blower motor mounting bracket screws and tighten.



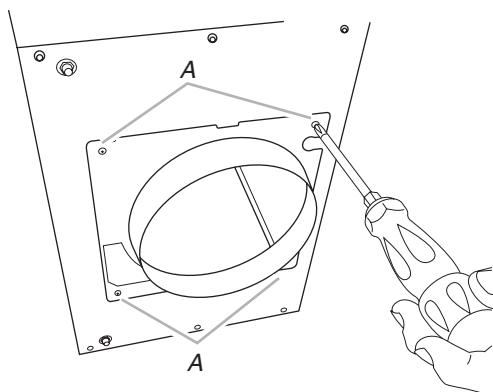
A. Downdraft tower motor
B. Large cover plate
C. Blower exhaust opening

7. Plug in the wire connector to the blower motor.



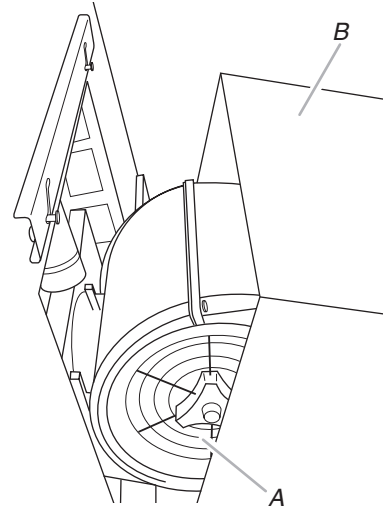
A. Blower motor
B. Wire connector

8. Place the vent extension for the 6" diameter venting over the vent exhaust and screw into place using the 4 screws.



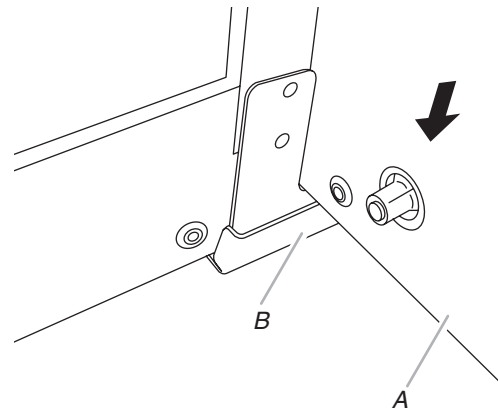
A. Vent extension screws (4)

9. Replace the vent box over the blower motor.



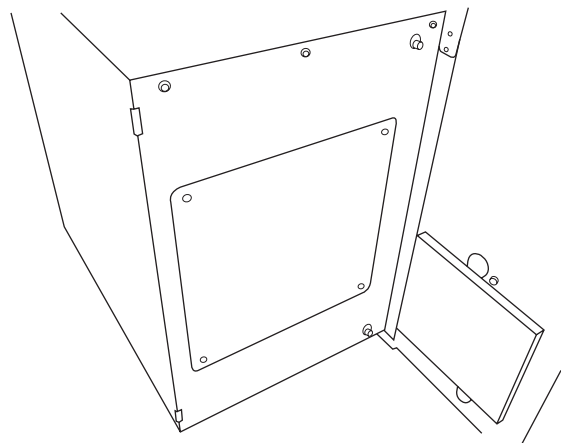
A. Blower motor
B. Vent box

10. Place the bottom tab of the blower box into the bottom mounting channel.



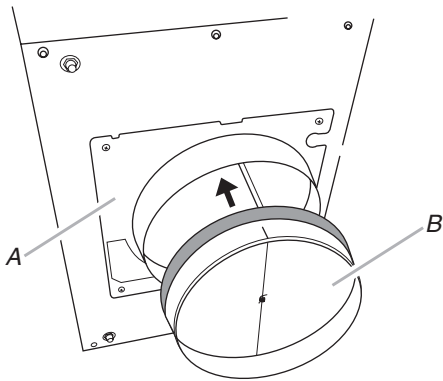
A. Blower box
B. Bottom mounting channel

11. Tilt blower box top tab so it is flush with the vent box panel and position it under the top mounting bracket.
12. Slide bracket into the "Z" slots.
13. Tighten the 2 hex/slotted head screws to secure.
14. Place the small vent cover over the hole in the vent box and secure in place with the 4 screws.



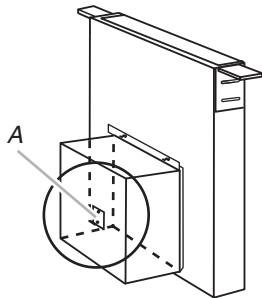
Complete Installation

1. Attach backdraft damper over 6" vent extension. Secure with vent clamp.



A. 6" vent extension
B. Backdraft damper

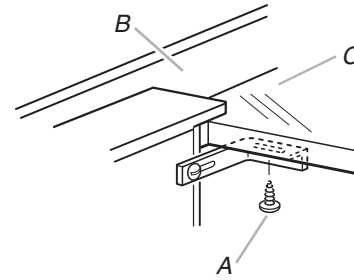
2. Remove screw attaching the terminal box cover.



A. Terminal box cover

Determine which direction (rear or bottom) electrical connection will need to run from vent system terminal box. Remove rear or bottom knockout and install a UL listed or CSA approved conduit connector.

3. Insert downdraft vent into countertop cutout. Using 2 or more people, position downdraft vent so it is centered in cutout and parallel to edge of cutout. Check that downdraft vent is level vertically. Then fasten lower support legs to the cabinet floor with screws.
4. Attach 1 undercounter bracket on front upper right corner of downdraft vent with slot over vent mounting hole and flange against countertop. Attach other bracket to left side of the downdraft vent. Drill starter holes through undercounter mounting brackets into the underside of the countertop. Insert appropriate length screws into holes and tighten brackets to countertop.



A. When attaching undercounter bracket to underside of countertop, make sure that the screw length will not go through countertop when tightened.
B. Backsplash
C. Countertop

Make Electrical Connections

⚠ WARNING



Electrical Shock Hazard

Disconnect power before servicing.

Replace all parts and panels before operating.

Failure to do so can result in death or electrical shock.

1. Disconnect power.
2. Feed the power supply cable through the conduit connector and into the terminal box.

⚠ WARNING



Fire Hazard

Electrically ground the blower.

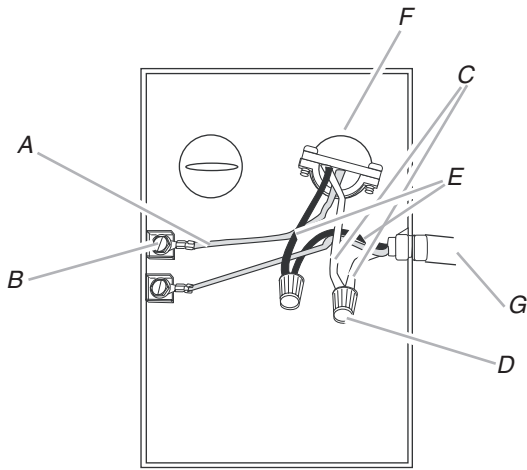
Use copper wire.

Connect ground wire to green ground screw in terminal box.

Failure to do so can result in death, fire, or electrical shock.

3. Attach the green (or green and yellow) ground wire to the green ground screw. Tighten the conduit connector clamp screws.

4. Connect the 2 white wires together using UL listed wire connectors.

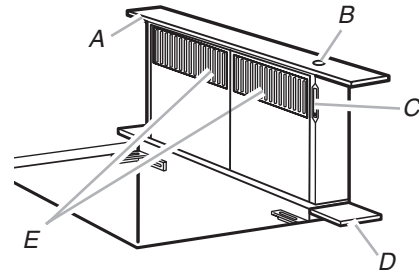


- A. Green or green and yellow ground wire
- B. Green ground screw
- C. White wires
- D. UL listed wire connectors
- E. Black wires
- F. UL listed or CSA approved conduit connector
- G. Downdraft vent wiring

5. Connect the 2 black wires together using UL listed wire connectors.
6. Replace the terminal box cover and secure with screw.
7. Reconnect power.

Check Operation

1. Push and hold the button on the top of the downdraft vent for a few seconds. The retractable section of the downdraft vent will rise, and the blower will start. Position the top trim over the retractable section and snap trim into place.
Trim kits for matching your cooktop color are available from your dealer.
For information on ordering, see the "Assistance or Service" section.



- A. Top trim
- B. ON/OFF button
- C. Blower control slider
- D. End cap
- E. Filters

2. Slide the control slider on the side of vent to check the operation and speed of the blower.
3. If the blower does not operate:
 - Check that filter or filters are pressed in as far as they will go.
 - Check that the circuit breaker has not tripped or a household fuse blown.
 - Check downdraft fuse located under power board.
4. Connect vent system to blower. Vent system must end with a wall or roof cap. Use clamps to seal all joints.
5. Install cooktop according to manufacturer's instructions. Check that rear of cooktop overlaps edge of retractable downdraft vent by $\frac{3}{8}$ " (9.5 mm). See "Countertop Cutout Dimensions" in the "Location Requirements" section.

NOTE: To get the most efficient use from your new retractable downdraft vent, read the "Vent System Use" section.

INSTALLATION INSTRUCTIONS EXTERIOR-MOUNTED VENT MOTOR

KIRD and YKIRD Models Only

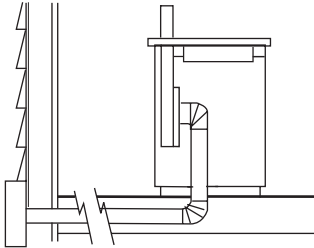
IMPORTANT: Exterior blower Model No. KPEU722M [1200 cfm (34.0 m³/3)] cannot be used with this retractable downdraft vent system.

NOTE: Exterior-mounted vent motor installations require exterior blower system, Model No. KPEC992M [900 cfm (25.5 m³/m)], available from your dealer or authorized parts supplier.

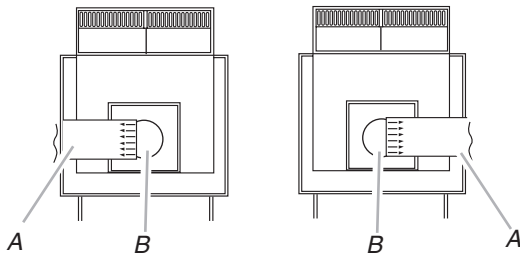
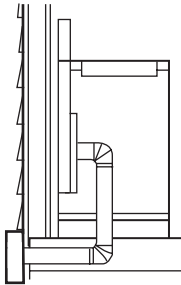
Venting Methods

Determine which venting method is best for your application. Vent system can terminate through either the wall or roof.

Island location



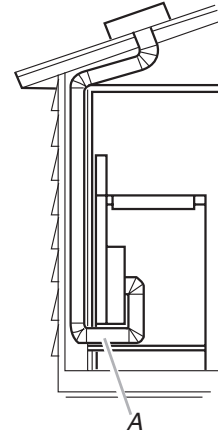
Built-in cabinet locations



A. Left venting
B. 10" round 90° elbow

A. Right venting
B. 10" round 90° elbow

Roof Venting



A. 10" (25.4 cm) round vent

Calculating Vent System Length

It is recommended that you use round vent instead of rectangular vent, especially if elbows are required. If rectangular vent is required, it should be transitioned to 10" (25.4 cm) round vent as soon as possible.

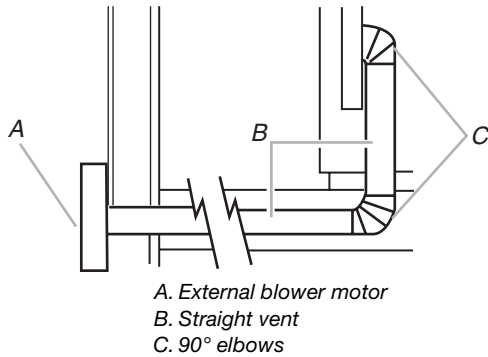
Maximum Length of Vent System

Vent	Length
10" (25.4 cm) round	40 ft (12.2 m)

To calculate the length of the system you need, add the equivalent feet (meters) for each vent piece used in the system.

Vent Piece	10" (25.4 cm) Round	
45° elbow	2.5 ft (0.8 m)	
90° elbow	5.0 ft (1.5 m)	

Example Vent System



The following example falls within the maximum vent length of 40 ft (12.2 m).

2 - 90° elbows = 10.0 ft (3 m)

10 ft (3 m) straight = 10.0 ft (3 m)

Length of 10" (25.4 cm) system = 20 ft (6 m)

NOTE: The exterior-mounted vent motor requires a separate wiring cable that should be installed at the same time the vent work is installed.

Install Vent System

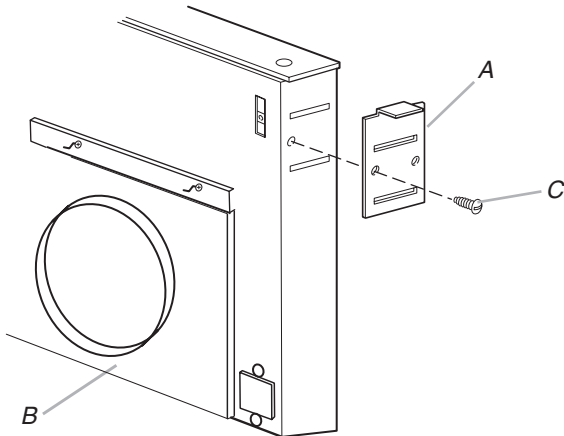
WARNING

Excessive Weight Hazard

Use two or more people to move and install downdraft vent.

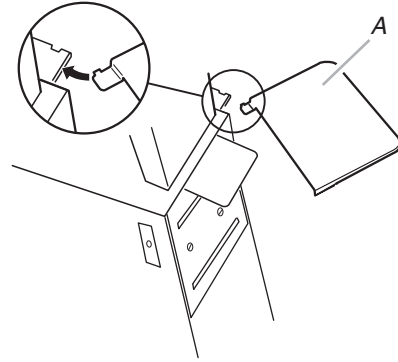
Failure to do so can result in back or other injury.

1. Place cardboard or similar material on top of a flat surface where you can easily assemble the downdraft vent system.
2. Remove parts packages and downdraft vent from carton.
3. Remove all shipping materials, tape and film from downdraft vent.
4. Remove screws from each side of the vent. Attach the left and right side overcounter support brackets to the downdraft vent and push up to align the screw holes. Use screws to secure the brackets.



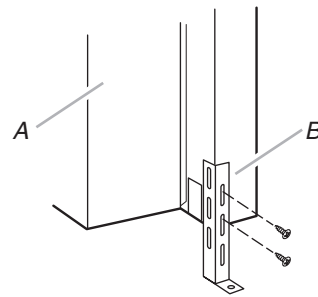
A. Overcounter support bracket
B. 10" round vent mounting collar plate
C. Overcounter support bracket screw

5. Attach the left and right side end caps to the downdraft vent. Place the end cap upon the overcounter support, slide the tab into the slot and snap into place over the plastic tabs.



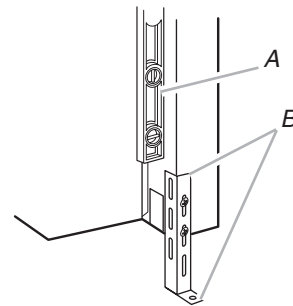
A. End cap

6. Attach support legs to side of downdraft vent with 2 screws in each leg. Do not tighten screws.



A. Blower motor box
B. Support leg

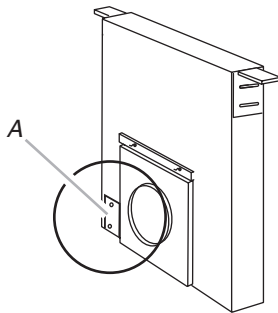
7. Using 2 or more people, insert the downdraft vent into the countertop cutout. Check that downdraft vent is parallel to side of cutout and that mounting brackets overlap countertop.
8. Move support legs down against cabinet floor. Place a level against the front of the downdraft vent base and adjust until downdraft vent is level vertically. Use a pencil to mark the top of each leg on the downdraft vent and the location of the support leg mounting holes on the cabinet floor.



A. Level
B. Mark locations.

9. Remove downdraft vent from cutout. Drill starter holes at each mounting screw location on the cabinet floor. Align the top of the legs with pencil marks on the face of the downdraft vent. Tighten screws in legs.

10. Remove the Phillips-head screw attaching the terminal box cover and remove cover.



A. Terminal box cover

Remove either the back or bottom knockout inside the terminal box and install a UL listed or CSA approved conduit connector.

NOTE: Power supply cable needed between exterior blower assembly and blower box is not provided.

Flexible armored or nonmetallic cable must be used. A ½" (12.7 cm) UL listed or CSA approved strain relief must be provided at each end of the power supply cable.

11. Determine the location where the exterior blower box will be located. Cut opening in roof or wall for vent system to exterior blower. Install exterior blower according to instructions supplied with the blower kit.

Wall Installations:

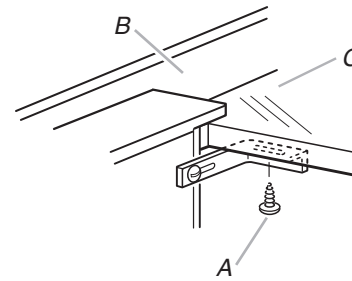
- Use caulking compound between mounting flange and wall.

Roof Installations:

- Follow standard roofing procedures. Refer to the "Roof Installations" section of the Exterior Blower Installation Instructions.
- The flashing sheet should be centered over the roof opening.
- Lower edge of flashing should lie on top of shingles and upper edge underneath shingles.
- Seal assembly between roof, fan and flashing with roofing mastic to avoid leaks.

12. Using 2 or more people, insert the downdraft vent into the countertop cutout. Position downdraft vent so it is centered in cutout and parallel to edge of cutout. Check that downdraft vent is level vertically. Then fasten lower support legs to the cabinet floor with screws.

13. Attach 1 undercounter bracket on front upper right corner of downdraft vent with slot over vent mounting hole and flange against countertop. Attach other bracket to left side of the downdraft vent. Drill starter holes through undercounter mounting brackets into the underside of the countertop. Insert appropriate length screws into holes and tighten brackets to the countertop.



- A. When attaching undercounter bracket to underside of countertop, make sure that the screw length will not go through countertop when tightened.
 B. Backsplash
 C. Countertop

Electrical Connection

⚠ WARNING



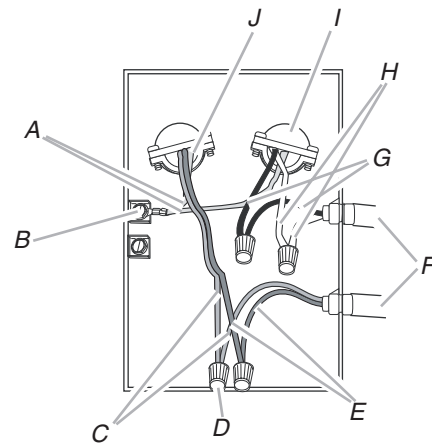
Electrical Shock Hazard

Disconnect power before servicing.

Replace all parts and panels before operating.

Failure to do so can result in death or electrical shock.

1. Disconnect power.
2. Feed the home power supply cable through the conduit connector and into the terminal box.
3. Remove vent box knockout and install a UL listed or CSA approved conduit connector. Feed exterior-mounted vent motor wiring through conduit connector.



- A. Green or green and yellow ground wires
 B. Green ground screw
 C. Blue wires
 D. UL listed wire connector
 E. Brown wires
 F. Downdraft vent wiring
 G. Black wires
 H. White wires
 I. UL listed or CSA approved conduit and connector, (Home power supply cable).
 J. UL listed or CSA approved conduit and connector, (Exterior-mounted vent motor wiring).

⚠️ WARNING



Fire Hazard

Electrically ground the blower.

Use copper wire.

Connect ground wire to green ground screw in terminal box.

Failure to do so can result in death, fire, or electrical shock.

4. Attach the 2 green (or green and yellow) ground wires from the home power supply cable and the exterior-mounted vent motor wiring to the green ground screw.

IMPORTANT: Exterior vent motor wires must be connected in the terminal box as shown.

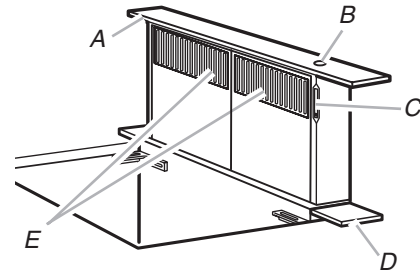
5. Connect the 2 blue wires together using UL listed wire connectors.
6. Connect the 2 brown wires together using UL listed wire connectors.
7. Connect the 2 white wires together using UL listed wire connectors.
8. Connect the 2 black wires together using UL listed wire connectors.
9. Tighten conduit connector clamp screws.
10. Replace the terminal box cover and secure with screw.
11. Reconnect power.

Complete Installation

1. Push and hold the button on the top of the downdraft vent for a few seconds. The retractable section of the downdraft vent will rise. The blower will start immediately if the blower control knob is set to an “on” position.
2. Position the top trim over the retractable section and snap trim into place.

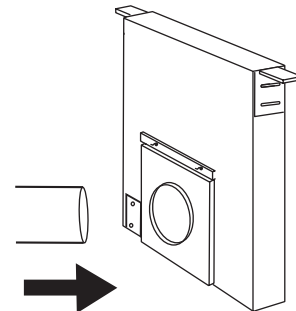
Trim kits for matching your cooktop color are available from your dealer.

For information on ordering, see the “Assistance or Service” section.



A. Top trim
B. ON/OFF button
C. Blower control slider
D. End cap
E. Filters

3. Slide the control slider on the side of the vent to check the speed of the blower.
If the blower does not operate:
 - Check that filter or filters are pressed in as far as they will go.
 - Check that circuit breaker has not tripped or a household fuse blown.
 - Check downdraft fuse located under power board.
4. Connect vent system to 10" (25.4 cm) round vent collar plate.



Position vent to avoid wall studs and floor joists. Complete all vent work. Use clamps to seal all joints.

Vertical vent for wall-mounted installations should pitch down slightly toward the vent to allow moisture to run outside.

5. Install cooktop according to manufacturer's instructions. Check that rear of cooktop overlaps edge of retractable downdraft vent by $\frac{3}{8}$ " (9.5 mm). See “Countertop Cutout Dimensions” in the “Location Requirements” section.

NOTE: To get the most efficient use from your new retractable downdraft vent, read the “Vent System Use” section.

VENT SYSTEM USE

The retractable downdraft vent system is designed to remove smoke, cooking vapors and odors from the cooktop area.

- For best results, the vent should be operating before cooking is started.
- If you use large or tall utensils, place them on the large rear element or burner surface.
- A higher heat setting than normally used may be needed when the downdraft vent is operating.
- This fan is suitable for use with solid-state speed controls.

Operating Downdraft Vent

To Use:

1. Push and hold the button on top of downdraft vent for a few seconds. (This slight delay helps avoid inadvertent raising of the vent during cleaning of the cooktop area.) Retractable section of downdraft vent will rise. Blower will begin to vent immediately if blower control knob slider is set to an "On" position.

2. Slide the control slider on the right-hand side of the downdraft vent to adjust the blower motor speed.

When cooking is complete:

1. Push the button on top of the retractable downdraft vent. The blower will turn off, and the retractable section of the vent will return to the closed position.

If a spill occurs on the cooktop that allows liquids to seep inside the downdraft, you must turn the downdraft off immediately. It is possible to cause damage to the downdraft if water is allowed inside the downdraft while it is operating.

1. Immediately turn off the downdraft at the speed control located on the right-hand side of the downdraft.
2. Turn off the power supply to the downdraft at the circuit breaker box or fuse box.
3. Allow plenty of time for the downdraft to dry naturally. Do not open the downdraft to remove the water.

VENT SYSTEM CARE

Surface of Downdraft Vent

To avoid damaging the finish, clean downdraft vent with soap and water. Do not use scouring powder or abrasive solutions.

Filters

Frequently remove and clean the filter(s) in the retractable section of the downdraft vent. This will improve the operating efficiency of the downdraft vent system.

To Remove Filters:

1. Place fingertips in the embossment at the top for the filters.
2. Press down on the filters far enough for the tab at the top of the filters to clear.
3. Pull forward to release the filter from its groove.

To Clean:

1. Remove the filter(s) and clean them in a dishwasher or in a hot detergent solution. The downdraft vent will not operate when the filters are not in place.
2. Dry the clean filter(s) and reinstall, making sure that they lock into place.

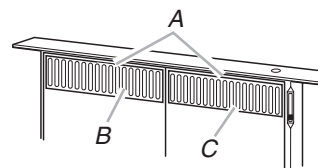
To Replace Filters:

1. Place filters into the retractable section of the downdraft vent.
2. Place fingertips into the embossment at the top of the filters and push down and back to allow the top tabs to snap into place.

NOTE: Downdraft will not operate if the filters are not in their proper position. If the filters' top tabs are not locked behind the top flange, the vent may retract but not raise back up.

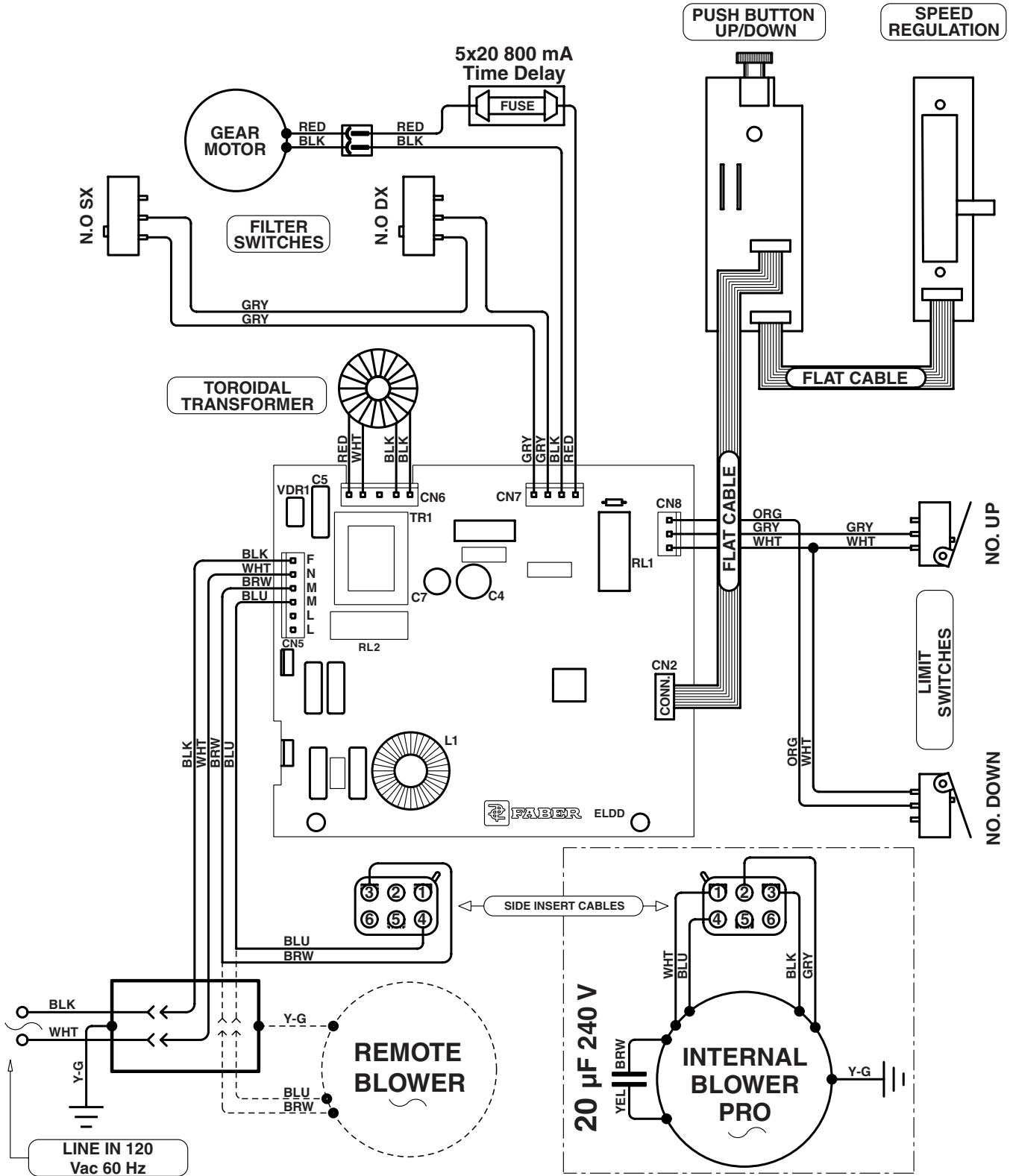
If retractable downdraft vent does not operate after clean filters have been installed:

Push the filter in as far as it will go. When the filter is removed, the microswitch behind the filter is inactivated. This feature will not allow the vent system to operate until the filter is properly installed.



A. Filter removal embossment
B. Left metal filter
C. Right metal filter

WIRING DIAGRAM



ASSISTANCE OR SERVICE

When calling for assistance or service, please know the purchase date and the complete model and serial number of your appliance. This information will help us to better respond to your request.

If you need replacement parts

If you need to order replacement parts, we recommend that you use only factory specified parts. Factory specified parts will fit right and work right because they are made with the same precision used to build every new appliance. To locate factory specified parts replacement parts in your area, call us or your nearest Whirlpool designated service center.

In the U.S.A.

Call the KitchenAid Customer eXperience Center toll free: **1-800-422-1230**.

Our consultants provide assistance with:

- Features and specifications on our full line of appliances.
- Installation information.
- Use and maintenance procedures.
- Accessory and repair parts sales.
- Specialized customer assistance (Spanish speaking, hearing impaired, limited vision, etc.).
- Referrals to local dealers, repair parts distributors and service companies. KitchenAid designated service technicians are trained to fulfill the product warranty and provide after-warranty service, anywhere in the United States.

To locate the KitchenAid designated service company in your area, you can also look in your telephone directory Yellow Pages.

For further assistance

If you need further assistance, you can write to KitchenAid with any questions or concerns at:

KitchenAid Brand Home Appliances
Customer eXperience Center
553 Benson Road
Benton Harbor, MI 49022-2692

Please include a daytime phone number in your correspondence.

In Canada

Call the Whirlpool Canada LP Customer eXperience Centre toll free: **1-800-807-6777**.

Our consultants provide assistance with:

- Features and specifications on our full line of appliances.
- Use and maintenance procedures.
- Accessory and repair parts sales.
- Referrals to local dealers, repair parts distributors, and service companies. Whirlpool Canada LP designated service technicians are trained to fulfill the product warranty and provide after-warranty service, anywhere in Canada.

For further assistance

If you need further assistance, you can write to Whirlpool Canada LP with any questions or concerns at:

Customer eXperience Centre
Whirlpool Canada LP
1901 Minnesota Court
Mississauga, Ontario L5N 3A7

Please include a daytime phone number in your correspondence.

Accessories

NOTE: Instructions are included with each kit.

For model series KIRD and YKIRD 801, 802

30" (76.2 cm) one-piece trim:

Part Number W10187282 (black)

For model series KIRD and YKIRD 861, 862

36" (91.4 cm) one-piece trim:

Part Number W10187285 (black)

KITCHENAID® VENTILATION WARRANTY

LIMITED WARRANTY

For one year from the date of purchase, when this major appliance is operated and maintained according to instructions attached to or furnished with the product, KitchenAid brand of Whirlpool Corporation or Whirlpool Canada LP (hereafter "KitchenAid") will pay for Factory Specified Parts and repair labor to correct defects in materials or workmanship. Service must be provided by a KitchenAid designated service company. This limited warranty is valid only in the United States or Canada and applies only when the major appliance is used in the country in which it was purchased. Outside the 50 United States and Canada, this limited warranty does not apply. Proof of original purchase date is required to obtain service under this limited warranty.

ITEMS EXCLUDED FROM WARRANTY

This limited warranty does not cover:

1. Service calls to correct the installation of your major appliance, to instruct you on how to use your major appliance, to replace or repair house fuses, or to correct house wiring or plumbing.
2. Service calls to repair or replace appliance light bulbs, air filters or water filters. Consumable parts are excluded from warranty coverage.
3. Repairs when your major appliance is used for other than normal, single-family household use or when it is used in a manner that is contrary to published user or operator instructions and/or installation instructions.
4. Damage resulting from accident, alteration, misuse, abuse, fire, flood, acts of God, improper installation, installation not in accordance with electrical or plumbing codes, or use of consumables or cleaning products not approved by KitchenAid.
5. Cosmetic damage, including scratches, dents, chips or other damage to the finish of your major appliance, unless such damage results from defects in materials or workmanship and is reported to KitchenAid within 30 days from the date of purchase.
6. Costs associated with the removal from your home of your major appliance for repairs. This major appliance is designed to be repaired in the home and only in-home service is covered by this warranty.
7. Repairs to parts or systems resulting from unauthorized modifications made to the appliance.
8. Expenses for travel and transportation for product service if your major appliance is located in a remote area where service by an authorized KitchenAid servicer is not available.
9. The removal and reinstallation of your major appliance if it is installed in an inaccessible location or is not installed in accordance with published installation instructions.
10. Major appliances with original model/serial numbers that have been removed, altered or cannot be easily determined. This warranty is void if the factory applied serial number has been altered or removed from your major appliance.

The cost of repair or replacement under these excluded circumstances shall be borne by the customer.

DISCLAIMER OF IMPLIED WARRANTIES; LIMITATION OF REMEDIES

CUSTOMER'S SOLE AND EXCLUSIVE REMEDY UNDER THIS LIMITED WARRANTY SHALL BE PRODUCT REPAIR AS PROVIDED HEREIN. IMPLIED WARRANTIES, INCLUDING WARRANTIES OF MERCHANTABILITY OR FITNESS FOR A PARTICULAR PURPOSE, ARE LIMITED TO ONE YEAR OR THE SHORTEST PERIOD ALLOWED BY LAW. KITCHENAID SHALL NOT BE LIABLE FOR INCIDENTAL OR CONSEQUENTIAL DAMAGES. SOME STATES AND PROVINCES DO NOT ALLOW THE EXCLUSION OR LIMITATION OF INCIDENTAL OR CONSEQUENTIAL DAMAGES, OR LIMITATIONS ON THE DURATION OF IMPLIED WARRANTIES OF MERCHANTABILITY OR FITNESS, SO THESE EXCLUSIONS OR LIMITATIONS MAY NOT APPLY TO YOU. THIS WARRANTY GIVES YOU SPECIFIC LEGAL RIGHTS, AND YOU MAY ALSO HAVE OTHER RIGHTS WHICH VARY FROM STATE TO STATE OR PROVINCE TO PROVINCE.

If outside the 50 United States and Canada, contact your authorized KitchenAid dealer to determine if another warranty applies.

If you need service, first see the "Troubleshooting" section of the Use & Care Guide. After checking "Troubleshooting," you may find additional help by checking the "Assistance or Service" section or by calling KitchenAid. In the U.S.A., call **1-800-422-1230**. In Canada, call **1-800-807-6777**.

9/07

Keep this book and your sales slip together for future reference. You must provide proof of purchase or installation date for in-warranty service.

Write down the following information about your major appliance to better help you obtain assistance or service if you ever need it. You will need to know your complete model number and serial number. You can find this information on the model and serial number label located on the product.

Dealer name _____
Address _____
Phone number _____
Model number _____
Serial number _____
Purchase date _____

SÉCURITÉ DU SYSTÈME DE VENTILATION

Votre sécurité et celle des autres est très importante.

Nous donnons de nombreux messages de sécurité importants dans ce manuel et sur votre appareil ménager. Assurez-vous de toujours lire tous les messages de sécurité et de vous y conformer.



Voici le symbole d'alerte de sécurité.

Ce symbole d'alerte de sécurité vous signale les dangers potentiels de décès et de blessures graves à vous et à d'autres.

Tous les messages de sécurité suivront le symbole d'alerte de sécurité et le mot "DANGER" ou "AVERTISSEMENT". Ces mots signifient :

⚠ DANGER

Risque possible de décès ou de blessure grave si vous ne suivez pas immédiatement les instructions.

⚠ AVERTISSEMENT

Risque possible de décès ou de blessure grave si vous ne suivez pas les instructions.

Tous les messages de sécurité vous diront quel est le danger potentiel et vous disent comment réduire le risque de blessure et ce qui peut se produire en cas de non-respect des instructions.

IMPORTANTES INSTRUCTIONS DE SÉCURITÉ

AVERTISSEMENT : POUR RÉDUIRE LE RISQUE D'INCENDIE, CHOC ÉLECTRIQUE OU DOMMAGES CORPORELS, RESPECTER LES INSTRUCTIONS SUIVANTES :

- Utiliser cet appareil uniquement dans les applications envisagées par le fabricant. Pour toute question, contacter le fabricant.
- Avant d'entreprendre un travail d'entretien ou de nettoyage, interrompre l'alimentation de la hotte au niveau du tableau de disjoncteurs, et verrouiller le tableau de disjoncteurs pour empêcher tout rétablissement accidentel de l'alimentation du circuit. Lorsqu'il n'est pas possible de verrouiller le tableau de disjoncteurs, placer sur le tableau de disjoncteurs une étiquette d'avertissement proéminente interdisant le rétablissement de l'alimentation.
- Tout travail d'installation ou câblage électrique doit être réalisé par une personne qualifiée, dans le respect des prescriptions de tous les codes et normes applicables, y compris les codes du bâtiment et de protection contre les incendies.
- Une source d'air de débit suffisant est nécessaire pour le fonctionnement correct de tout appareil à gaz (combustion et évacuation des gaz à combustion par la cheminée), pour qu'il n'y ait pas de reflux des gaz de combustion. Respecter les directives du fabricant de l'équipement de chauffage et les prescriptions des normes de sécurité - comme celles publiées par la National Fire Protection Association (NFPA) et l'American Society for Heating, Refrigeration and Air Conditioning Engineers (ASHRAE), et les prescriptions des autorités réglementaires locales.
- Lors d'opérations de découpage et de perçage dans un mur ou un plafond, veiller à ne pas endommager les câblages électriques ou canalisations qui peuvent s'y trouver.
- Les ventilateurs d'évacuation doivent toujours décharger l'air à l'extérieur.

MISE EN GARDE : Cet appareil est conçu uniquement pour la ventilation générale. Ne pas l'utiliser pour l'extraction de matières ou vapeurs dangereuses ou explosives.

MISE EN GARDE : Pour minimiser le risque d'incendie et évacuer adéquatement les gaz, veiller à acheminer l'air aspiré par un conduit jusqu'à l'extérieur - ne pas décharger l'air aspiré dans un espace vide du bâtiment comme une cavité murale, un plafond, un grenier, un vide sanitaire ou un garage.

AVERTISSEMENT : POUR RÉDUIRE LE RISQUE D'INCENDIE, UTILISER UNIQUEMENT DES CONDUITS MÉTALLIQUES.

AVERTISSEMENT : POUR MINIMISER LE RISQUE D'UN FEU DE GRAISSE SUR LA CUISINIÈRE :

- Ne jamais laisser un élément de surface fonctionner à puissance de chauffage maximale sans surveillance. Un renversement/débordement de matière grasseuse pourrait provoquer une inflammation et la génération de fumée. Utiliser une puissance de chauffage moyenne ou basse pour le chauffage d'huile.
- Veiller à toujours faire fonctionner le ventilateur de la hotte lors de la cuisson avec une puissance de chauffage élevée ou lors de la cuisson d'un mets à flamber (à savoir crêpes Suzette, cerise jubilee, steak au poivre flambé).
- Nettoyer fréquemment les ventilateurs d'extraction. Veiller à ne pas laisser la graisse s'accumuler sur les surfaces du ventilateur ou des filtres.
- Utiliser toujours un ustensile de taille appropriée. Utiliser toujours un ustensile adapté à la taille de l'élément chauffant.

AVERTISSEMENT: POUR RÉDUIRE LE RISQUE DE DOMMAGES CORPORELS APRÈS LE DÉCLENCHEMENT D'UN FEU DE GRAISSE SUR LA CUISINIÈRE, APPLIQUER LES RECOMMANDATIONS SUIVANTES :^a

- Placer sur le récipient un couvercle bien ajusté, une tôle à biscuits ou un plateau métallique **POUR ÉTOUFFER LES FLAMMES**, puis éteindre le brûleur. **VEILLER À ÉVITER LES BRÛLURES**. Si les flammes ne s'éteignent pas immédiatement, **ÉVACUER LA PIÈCE ET APPELER LES POMPIERS**.
- **NE JAMAIS PRENDRE EN MAIN UN RÉCIPENT ENFLAMMÉ** - vous risquez de vous brûler.
- **NE PAS UTILISER D'EAU**, ni un torchon humide - ceci pourrait provoquer une explosion de vapeur brûlante.
- Utiliser un extincteur **SEULEMENT** si :
 - Il s'agit d'un extincteur de classe ABC, dont on connaît le fonctionnement.
 - Il s'agit d'un petit feu encore limité à l'endroit où il s'est déclaré.
 - Les pompiers ont été contactés.
 - Il est possible de garder le dos orienté vers une sortie pendant l'opération de lutte contre le feu.

^aRecommandations tirées des conseils de sécurité en cas d'incendie de cuisine publiés par la NFPA.

CONSERVEZ CES INSTRUCTIONS

EXIGENCES D'INSTALLATION

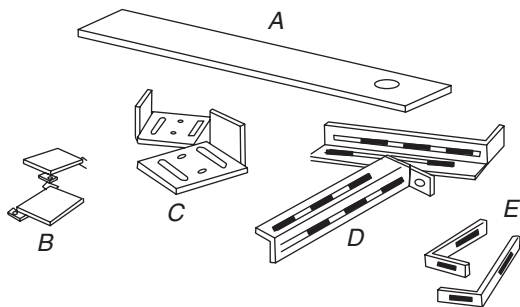
Outillage et pièces

Rassembler les outils et pièces nécessaires avant de commencer l'installation. Lire et observer les instructions fournies avec les outils de cette liste.

Outillage nécessaire

- Scie sauteuse ou scie à guichet
- Perceuse
- Foret de 1/8" (3 mm) pour avant-trous
- Crayon
- Mètre-ruban ou règle
- Tournevis à lame plate
- Tournevis Phillips
- Tourne-écrou ou clé à cliquet - douille de 3/8" (9,5 mm)
- Niveau
- Pince
- Cisaille de ferblantier
- Pince à dénuder ou couteau utilitaire
- Pistolet à calfeutrage et composé de calfeutrage résistant aux intempéries
- Brides pour conduits

Pièces fournies



- A. Garniture supérieure (1)
- B. Embouts (2)
- C. Brides de support (au-dessus du plan de travail) (2)
- D. Pieds de support inférieurs (2)
- E. Brides de support (au-dessous du plan de travail) (2)

Autres pièces fournies

- Sachet de pièces de fixation (1)
- Couvercle métallique (1)
- Support facultatif et 2 vis (seulement pour modèles de 36" [91,4 cm])
- Clapet anti-reflux de 6" de diamètre

Pièces nécessaires

- Deux connecteurs de conduit 1/2" (12,7 mm) (homologation UL ou CSA) (nécessaire pour l'emploi d'un ventilateur d'aspiration monté à l'extérieur).
- Bouche de décharge murale, pour ventilateur d'aspiration monté à l'intérieur (1)
- Système d'extraction
- Câble d'alimentation électrique

- Connecteurs de fils (homologation UL) (4)
- Câblage pour ventilateur installé à distance (option)

Exigences d'emplacement

REMARQUE : Le système d'extraction par le bas est installé directement derrière la table de cuisson. Installer d'abord le système d'extraction par le bas, puis la table de cuisson.

IMPORTANT : Observer les dispositions de tous les codes et règlements en vigueur.

- Demander à un technicien qualifié d'installer le système d'extraction. C'est à l'installateur qu'incombe la responsabilité de respecter les distances de séparation exigées, spécifiées sur la plaque signalétique de l'appareil. Cette dernière est située à l'avant de l'appareil, au-dessus du couvercle de la boîte de connexion.
- Le système d'extraction devrait être installé à l'écart des zones de forts courants d'air (proximité de fenêtres, portes et événements ou ventilateurs de chauffage).
- Respecter les dimensions indiquées pour la cavité d'installation entre les placards. Les dimensions indiquées prennent en compte les valeurs minimales des dégagements de séparation nécessaires.
- Avant d'effectuer des découpes, consulter les instructions d'installation fournies par le fabricant de la table de cuisson.

Vérifier qu'à l'emplacement d'installation le système d'extraction et la table de cuisson ne produiront pas d'interférence avec les parois des placards, le dossier, et les poteaux du colombage mural à l'arrière.

Vérifier le respect de la distance minimale entre le bord avant du plan de travail et le bord avant de la table de cuisson. La distance minimale de séparation horizontale entre les placards muraux est identique à la largeur du système d'extraction installé.

- Assurer l'étanchéité au niveau de chaque ouverture découpée dans le plafond ou le mur à l'emplacement d'installation du système d'extraction.
- On doit disposer d'une prise de courant électrique reliée à la terre. Voir la section "Spécifications électriques".
- Pour l'installation du système d'extraction par le bas, il sera nécessaire d'enlever le tiroir du placard et d'installer à demeure une façade de tiroir sur le placard.

Configuration des placards :

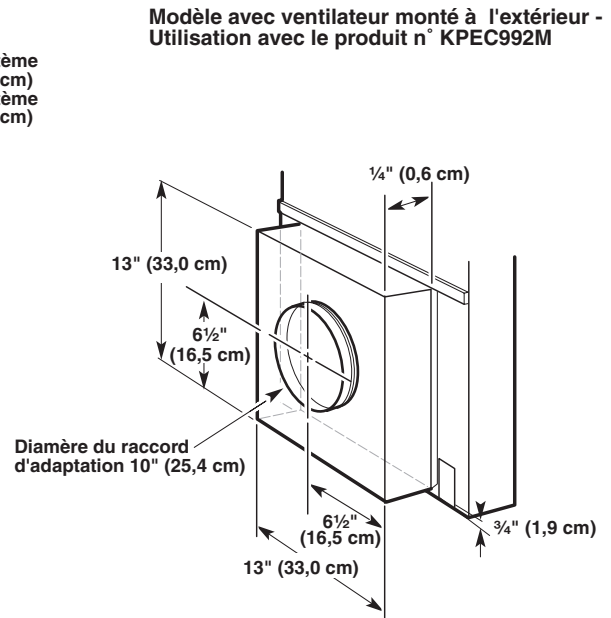
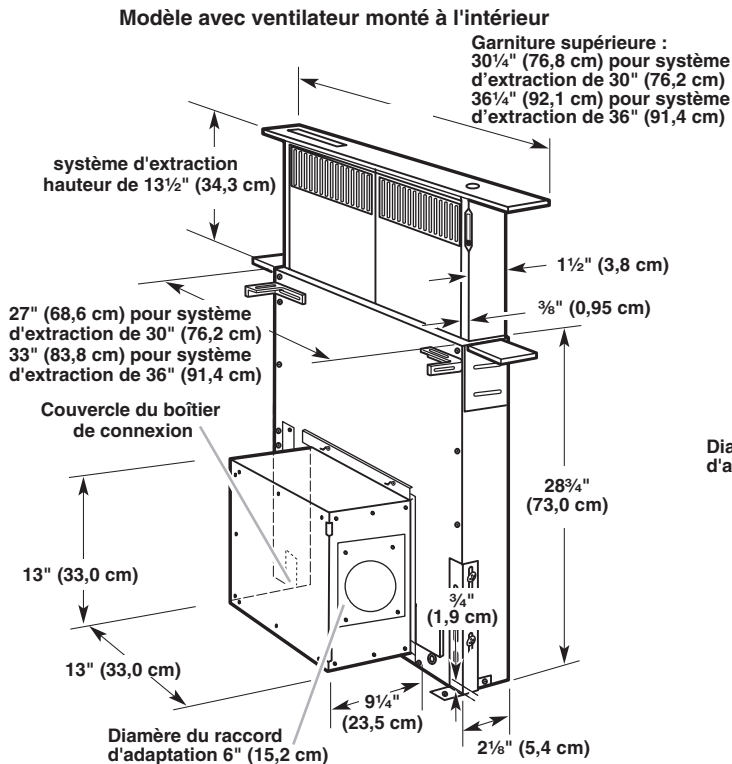
Le système d'extraction par le bas est conçu pour utilisation dans un placard de profondeur 24" (61 cm). Certaines installations nécessitent un plan de travail de largeur supérieure à 25" (63,5 cm). Voir le tableau des dimensions de découpage pour le plan de travail.

La profondeur maximale des placards muraux est de 13" (33 cm). La distance de séparation verticale au-dessus de la table de cuisson est de 18" (45,7 cm) pour les placards muraux installés de part et d'autre du système d'extraction par le bas.

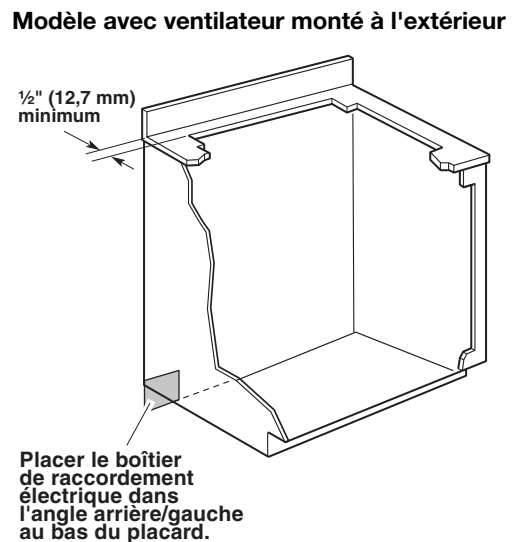
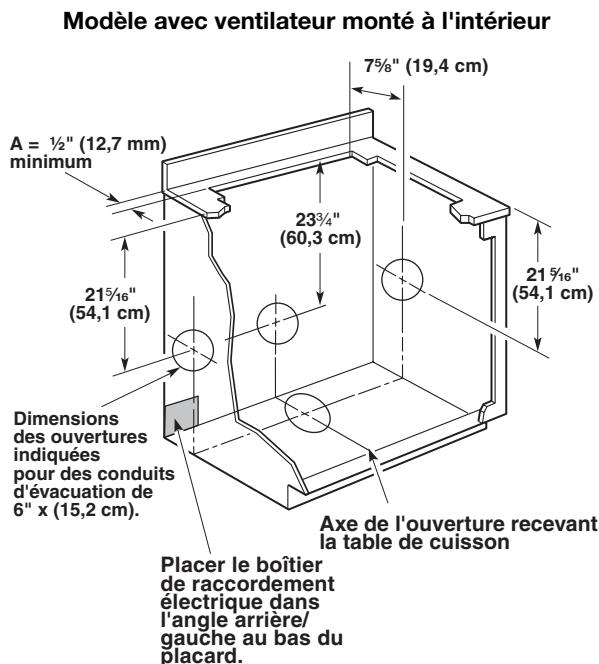
Installation dans une résidence mobile

L'installation de ce système d'extraction doit satisfaire aux exigences de la norme Manufactured Home Construction Safety Standards, Titre 24 CFR, partie 328 (anciennement Federal Standard for Mobile Home Construction and Safety, titre 24, HUD, partie 280); lorsque cette norme n'est pas applicable, l'installation doit satisfaire aux critères de la plus récente édition de la norme Manufactured Home Installation 1982 (Manufactured Home Sites, Communities and Setups) ANSI A225.1/NFPA 501A*, ou des codes et règlements locaux.

Dimensions du produit



Dimensions du placard



REMARQUES :

- Pour les dimensions de l'ouverture recevant la table de cuisson, voir les instructions du fabricant de la table de cuisson.
- Pour les ouvertures découpées pour le système d'extraction, utiliser les dimensions applicables à la situation d'installation.
- Circuit d'évacuation avec ventilateur monté à l'intérieur et raccordé au conduit d'évacuation de diamètre 6" (15,2 cm). Pour cette configuration, l'emplacement des ouvertures à découper dépend de la configuration d'installation spécifique.

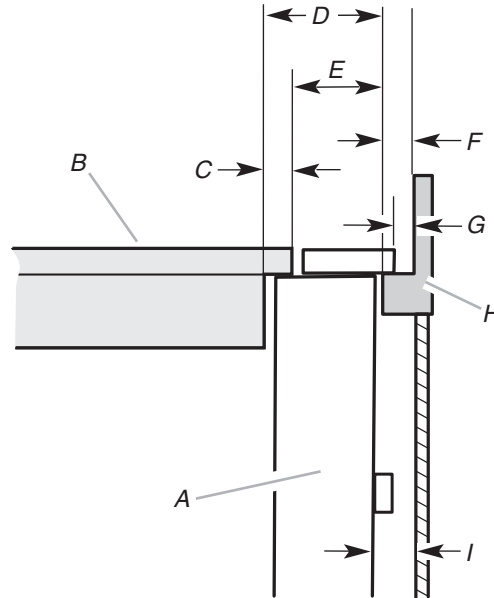
REMARQUES :

- Pour les dimensions de l'ouverture recevant la table de cuisson, voir les instructions du fabricant de la table de cuisson.
- Système d'extraction avec ventilateur monté à l'extérieur et raccordé au système d'extraction de diamètre 10" (25,4 cm). Pour cette configuration, l'emplacement des ouvertures à découper dépend de la configuration d'installation spécifique.

Plan de travail - Dimensions des ouvertures à découper

IMPORTANT : Les plans de travail avec bords arrondis ne sont pas recommandés pour ces installations.

- Certains modèles nécessitent un plan de travail de plus de 25" (63,5 cm); voir le tableau des dimensions de l'ouverture du plan de travail.
- Pour éviter une erreur, avant de découper une ouverture, tracer le périmètre des ouvertures à découper sur le plan de travail.
- Pour les dimensions des ouvertures, la position des ouvertures et les détails de l'installation, voir les instructions d'installation de la table de cuisson.



A. Conduit d'aspiration par le bas

B. Table de cuisson

C. Dimensions du dépassement arrière de la table de cuisson

D. $D =$ Dimensions du dépassement arrière de la table de cuisson (C) + $1 \frac{13}{16}$ " [46,2 mm] (E).

E. $1 \frac{13}{16}$ " (46,2 mm)

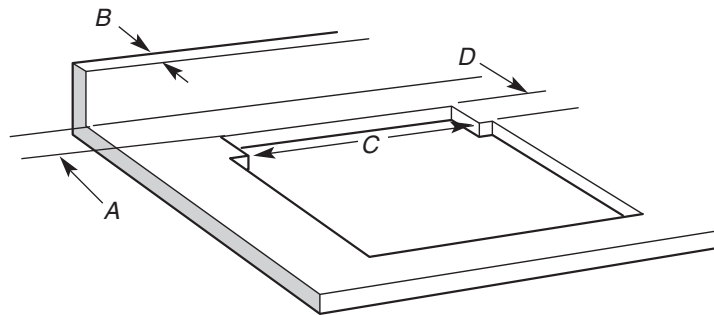
F. $\frac{1}{2}$ " (12,7 mm) min.

G. $\frac{1}{4}$ " (6,4 mm) min.

H. Comptoir et dossieret

I. $\frac{1}{2}$ " (12,7 mm) min.

Des dimensions de l'ouverture du plan de travail



A. $\frac{1}{2}$ " (12,7 mm) min. jusqu'au dossieret ou mur arrière.

B. Profondeur du dossieret de $\frac{3}{4}$ " (19,1 mm) max.

C. $27 \frac{1}{2}$ " (69,9 cm) sur les modèles de 30" (76,2 cm);
 $33 \frac{1}{2}$ " (85,9 cm) sur les modèles de 36" (91,4 cm)

D. $D =$ Dimensions du dépassement arrière de la table de cuisson + $1 \frac{13}{16}$ " (46,2 mm).

Spécifications électriques

IMPORTANT : Observer les dispositions de tous les codes et règlements en vigueur. Conserver les instructions d'installation pour consultation par l'inspecteur des installations électriques.

C'est au client qu'incombe la responsabilité de contacter un électricien qualifié et de veiller à ce que l'installation électrique soit adéquate et réalisée en conformité avec les prescriptions de la plus récente édition de la norme National Electrical Code, ANSI/NFPA 70, ou de la norme CSA C22. 1-94, Code canadien de l'électricité, partie 1 et C22,2 N° 0-M91, et de tous les codes et règlements locaux en vigueur.

Si lorsque les codes le permettent, on utilise un conducteur distinct de liaison à la terre, il est recommandé qu'un électricien qualifié vérifie la qualité de la liaison à la terre.

Pour obtenir un exemplaire des normes ou des codes ci-dessus, contacter :

National Fire Protection Association
One Batterymarch Park, Quincy, MA 02269

CSA International
8501 East Pleasant Valley Road
Cleveland, OH 44131-5575

- Ce ventilateur est utilisable avec un dispositif de réglage de la vitesse à semi-conducteurs.
- L'appareil doit être alimenté par un circuit de 120 V, CA seulement, 60 Hz, 15 ampères, protégé par fusible.
- En cas d'incertitude quant à la qualité de la liaison à la terre de l'appareil, consulter un électricien qualifié.
- Le système d'extraction vers le bas doit être raccordé au réseau électrique uniquement avec des conducteurs de cuivre.
- Le système d'extraction avec aspiration par le bas doit être raccordé directement au coupe-circuit avec fusible ou au disjoncteur par l'intermédiaire de câble à conducteurs de cuivre, à blindage métallique flexible ou à gaine non métallique. Prévoir une longueur de câble suffisante pour qu'il soit possible de déplacer le système d'extraction avec aspiration par le bas pour un éventuel besoin de réparation.
- Les calibres des conducteurs de cuivre et des connexions doivent satisfaire les critères des spécifications de l'appareil présentés sur la plaque signalétique (à l'avant de l'appareil, au-dessus du couvercle de la boîte de connexion).
- Le calibre des conducteurs doit satisfaire les exigences de la plus récente édition de la norme National Electrical Code, ANSI/NFPA 70, ou de la norme CSA C22. 1-94, Code canadien de l'électricité, partie 1 et C22.2 No 0-M91 et de tous les codes et règlements en vigueur.
- Deux connecteurs de conduit ½" (12,7 mm) (homologation UL ou CSA) (trois sont nécessaires pour l'emploi d'un système d'aspiration monté à l'extérieur).
- On trouve un schéma de câblage sur la base du système d'extraction vers le bas, au-dessus du couvercle de la boîte de connexion.

Exigences concernant l'évacuation

IMPORTANT : Avant d'effectuer des découpes, s'assurer qu'il y a un dégagement convenable entre le mur ou le plancher pour le système d'extraction.

- Utiliser un conduit métallique rigide.
- Le système doit décharger l'air à l'extérieur.
- Ne pas terminer le système d'extraction dans un grenier ou dans un autre espace fermé.
- Ne pas utiliser une bouche de décharge murale de 4" (10,2 cm) normalement utilisée pour un équipement de buanderie.
- Ne pas connecter 2 coudes ensemble.
- Ne pas utiliser un conduit de plastique ou en métal flexible.
- La longueur du système d'évacuation et le nombre de coudes doit être réduit au minimum pour l'obtention de la meilleure performance.
- Ne pas utiliser plus de trois coudes à 90°.
- Veiller à incorporer une section de conduit rectiligne d'au moins 24" (61 cm) entre deux raccords coudés adjacents.

- Au niveau de chaque jointure du système d'extraction, assurer l'étanchéité avec les brides de serrage pour conduit.
- Autour de la bouche de décharge à l'extérieur, assurer l'étanchéité avec un produit de calfeutrage.
- Ne pas couper une solive ou un poteau du colombage. Si le point de passage d'un système d'extraction correspond à la position d'un poteau du colombage ou d'une solive, on doit réaliser une structure de support appropriée.

On déconseille l'emploi d'un conduit en métal flexible. Si du conduit de ce type doit être utilisé, on doit tenir compte du fait que la résistance à l'écoulement est doublée (longueur théorique de 2 pi [0,6 m] pour longueur physique de 1 m).

La résistance à l'écoulement dans un raccord coudé flexible est le double de celle d'un raccord coudé standard.

Longueur recommandée pour le système d'extraction :

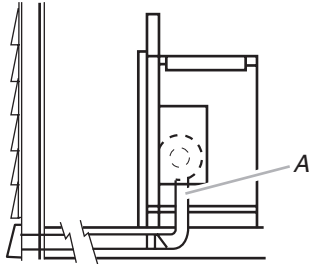
Pour une configuration avec ventilateur monté à l'intérieur ou monté à l'extérieur, la longueur du système d'extraction ne doit pas être supérieure à la valeur maximum indiquée au tableau Longueur du système d'extraction. Voir "Calcul de la longueur du système d'extraction" à la section "Méthodes d'extraction - Seulement pour ventilateur monté à l'intérieur".

INSTRUCTIONS D'INSTALLATION VENTILATEUR MONTÉ À L'INTÉRIEUR

Méthodes d'extraction - Seulement pour un ventilateur monté à l'intérieur

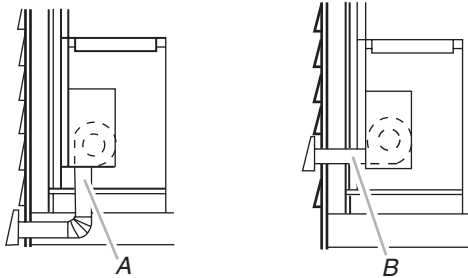
Déterminer quelle méthode d'extraction est la plus appropriée.
La sortie à l'extérieur du système d'extraction peut se faire à travers le plancher ou à travers un mur.

Configuration de cuisine en îlot



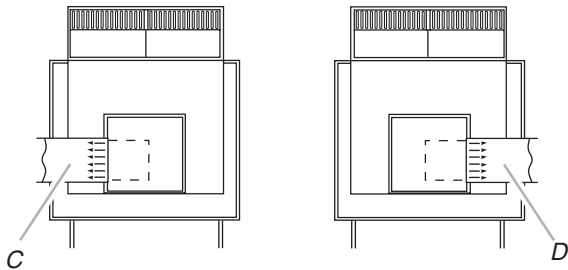
A. Sortie par le bas

Placards adossés au mur



A

B



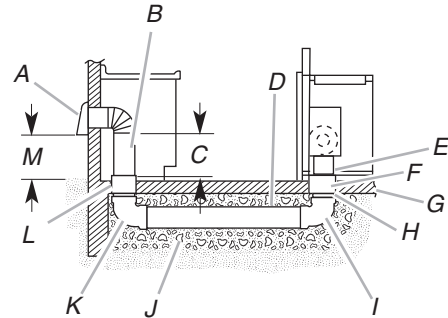
C

D

- A. Sortie par le bas
B. Sortie par l'arrière
C. Sortie par le côté gauche
D. Sortie par le côté droit

Configuration de cuisine en îlot

Système d'extraction installé sous une dalle de béton
(utilisation de conduit de PVC pour égout).



- A. Bouche de décharge murale
B. Conduit métallique dia. 6" (15,2 cm)
C. 16" (40,6 cm) maximum
D. Conduit PVC dia. 6" (15,2 cm) (pour égout)
E. Conduit métallique dia. 6" (15,2 cm)
F. Raccord PVC dia. 6" (15,2 cm)
G. Dalle de béton
H. Conduit PVC dia. 6" (15,2 cm) (pour égout)
I. Raccord 90° PVC dia. 6" (15,2 cm) (pour égout)
J. Gravier ou sable compacté tout autour du tuyau
K. Raccord 90° PVC dia. 6" (15,2 cm) (pour égout)
L. Raccord PVC dia. 6" (15,2 cm)
M. 12" (30,5 cm) minimum






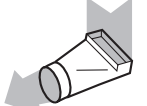
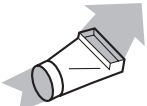
Calcul de la longueur effective du système d'extraction

On recommande d'utiliser un conduit rond plutôt qu'un conduit rectangulaire, en particulier si des coudes sont nécessaires. Si un conduit rectangulaire est nécessaire, il doit être raccordé à un conduit rond de dia. 6" (15,2 cm) dès que possible.

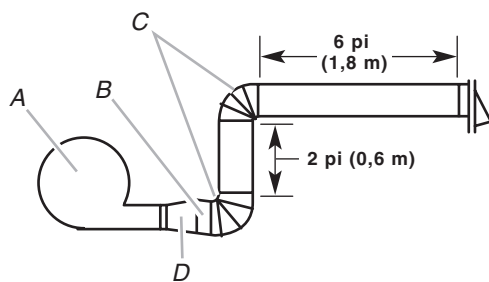
Longueur maximum du système d'extraction

Système d'extraction	Longueur
Conduit dia. 6" (15,2 cm)	35 pi (8,9 m)
3¼" x 10" (8,3 cm x 25,4 cm)	35 pi (8,9 m)

Pour calculer la longueur effective du système d'extraction nécessaire, additionner les longueurs équivalentes (pieds/mètres) de tous les composants utilisés dans le système.

Composant	Système de diamètre 6" (15,2 cm)	
coude à 45°	2,5 pi (0,8 m)	
coude à 90°	5 pi (1,5 m)	
6" (15,2 cm) bouche de décharge murale	0 pi (0 m)	
3/4" x 10" (8,3 cm x 25,4 cm) jusqu'au raccord de 6" (15,2 cm)	4,5 pi (1,4 m)	
6" (15,2 cm) au raccord de 3/4" x 10" (8,3 cm x 25,4 cm)	1 pi (0,3 m)	
3/4" x 10" (8,3 cm x 25,4 cm) au raccord coudé à 90° de 6" (15,2 cm)	5 pi (1,5 m)	
6" (15,2 cm) au raccord coudé à 90° de 3/4" x 10" (8,3 cm x 25,4 cm)	5 pi (1,5 m)	

Exemple de système d'extraction



- A. Ventilateur
- B. Raccord de transition
- C. Coudes à 90°
- D. Clapet anti-reflux de 6" (fourni)

Dans l'exemple suivant, la longueur théorique du système est inférieure au maximum de 35 pi (8,9 m).

2 - coude à 90°	= 10 pi (3 m)
1 - bouche de décharge murale	= 0 pi (0 m)
Section droite de 8 pi (2,4 m)	= 8 pi (2,4 m)
Raccord de transition	= 4,5 pi (1,4 m)
Longueur du système de dia. 6" (15,2 cm)	= 22,5 pi (6,8 m)

Installation du système d'extraction

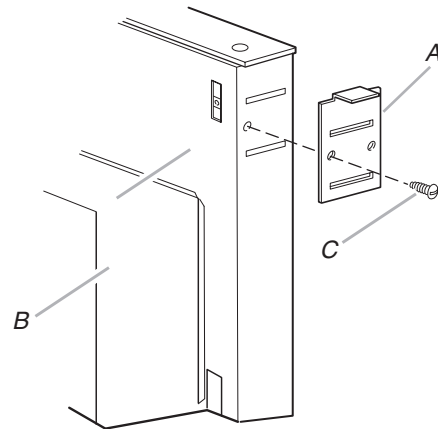
⚠ AVERTISSEMENT

Risque du poids excessif

Utiliser deux ou plus de personnes pour déplacer et installer le système d'extraction.

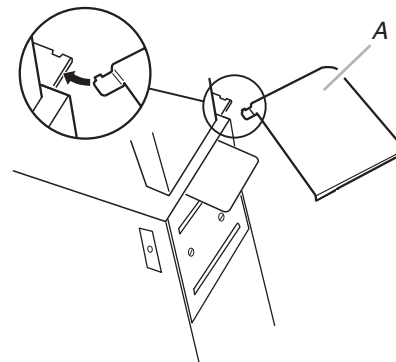
Le non-respect de cette instruction peut causer une blessure au dos ou d'autre blessure.

1. Placer une feuille de carton ou autre matériau de protection sur une surface plane, où on pourra facilement assembler le système.
2. Retirer tous les composants et pièces de l'emballage.
3. Enlever tous les matériaux d'emballage, rubans adhésifs et films de protection protégeant l'appareil et le ventilateur.
4. Retirer les vis de chaque côté du ventilateur. Fixer à gauche et à droite sur l'appareil les brides latérales qui soutiendront l'appareil sur le plan de travail et soulever pour aligner les trous des vis. Utiliser 1 vis pour chaque bride.



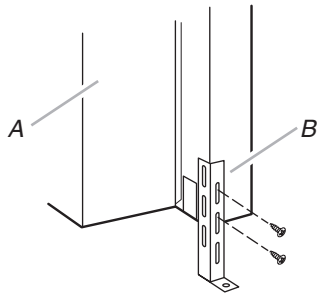
- A. Bride de support sur plan de travail
- B. Caisse du ventilateur
- C. Bride de support sur plan de travail

5. Fixer les embouts à gauche et à droite sur l'appareil. Placer l'embout sur le support du plan de travail, faire glisser l'onglet dans la fente et l'emboîter sur les onglets en plastique. 1 vis pour chaque embout.



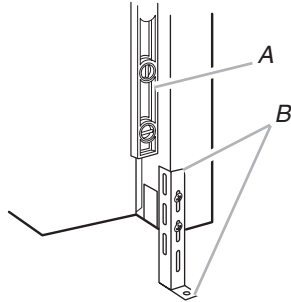
A. Embout

6. Fixer les pieds de support sur les côtés de l'appareil - 2 vis pour chaque pied. Ne pas serrer les vis.



A. Caisse du moteur de ventilateur
B. Support

7. Faire intervenir 2 personnes ou plus, insérer le système d'extraction vers le bas dans l'ouverture découpée dans le plan de travail. Veiller à placer l'appareil parallèlement au côté de l'ouverture découpée et à placer les brides de montage en chevauchement sur le plan de travail.
8. Ajuster le déploiement des pieds de support pour les placer en appui sur le plancher du placard. Placer un niveau contre l'avant de la base du système d'extraction vers le bas; établir l'aplomb vertical du système d'extraction. Utiliser un crayon pour marquer la position de la limite supérieure de chaque pied sur l'appareil, et l'emplacement du trou de montage de chaque pied sur le plancher du placard.



A. Niveau
B. Marquer les positions.

9. Retirer l'appareil. Percer des avant-trous à chaque emplacement de vis marqué sur le plancher du placard. Aligner le sommet des pieds avec les marques tracées au crayon sur l'appareil. Serrer les vis sur les pieds.

Déterminer la meilleure direction pour l'installation.

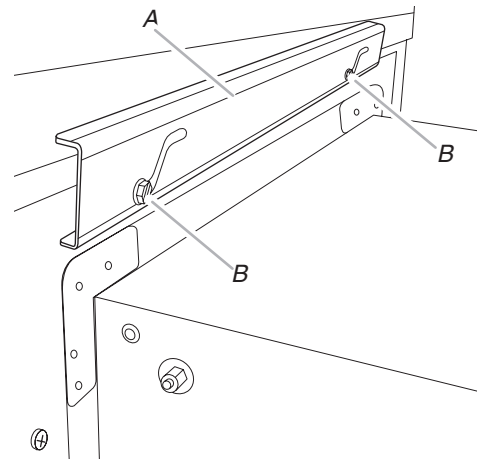
Dans le cas de l'installation dans un placard, on peut effectuer la décharge du système d'extraction par le fond, par l'arrière, par le côté gauche ou par le côté droit du placard.

Évacuation par le fond :

Lors de l'expédition, le système d'extraction avec aspiration par le bas est configuré pour l'évacuation par le bas; par conséquent aucune modification n'est nécessaire; passer à l'étape 9.

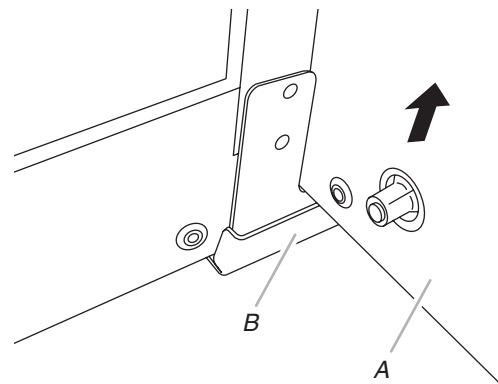
Évacuation par le côté gauche ou par le côté droit :

1. Desserrer les 2 vis (tête hexagonale/fente droite) fixant la bride supérieure de montage du moteur sur la boîte du système d'extraction, suffisamment pour pouvoir faire glisser la bride dans les rainures en "Z"; ceci écarte la bride de la lèvre de montage supérieure de la boîte du ventilateur, ce qui permet de l'incliner/écarter par rapport au panneau de la boîte du système d'extraction.



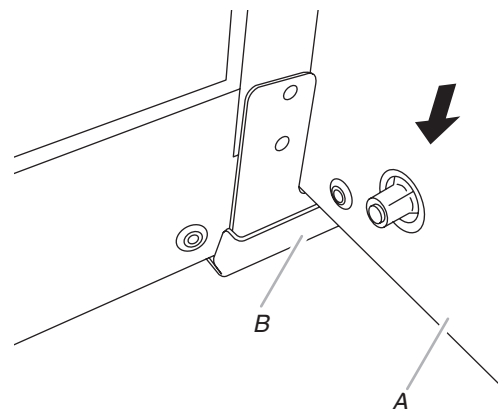
A. Bride, avec rainures en "Z"
B. Vis -tête hexagonale/fente droite (2)

2. Soulever la boîte du ventilateur pour la séparer du profilé de montage inférieur.



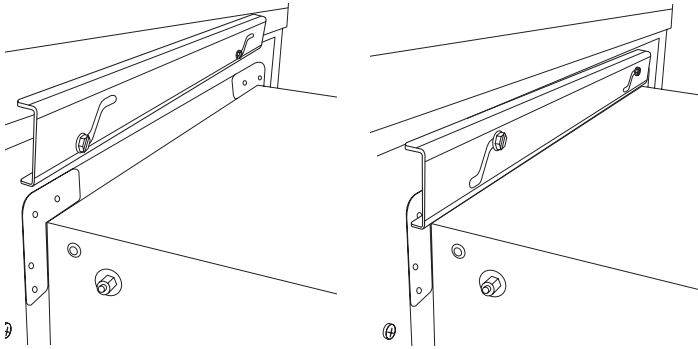
A. Boîte du ventilateur
B. Profilé de montage inférieur

3. Faire pivoter la boîte du ventilateur de 90 degrés dans un sens ou dans l'autre pour positionner le volet de réglage du ventilateur à la position/orientation appropriée. Veiller à ne pas vriller ou coincer des fils, et à ne pas déconnecter le câblage du ventilateur.
4. Placer la patte inférieure de la boîte du ventilateur dans le profilé de montage inférieur.



A. Boîte du ventilateur
B. Profilé de montage inférieur

- Incliner la patte supérieure de la boîte du ventilateur pour la placer en affleurement avec le panneau de la boîte du système d'extraction et la positionner sous la bride de montage supérieure. Faire glisser la bride dans les rainures en "Z" et serrer les 2 vis (tête hex/fente droite).

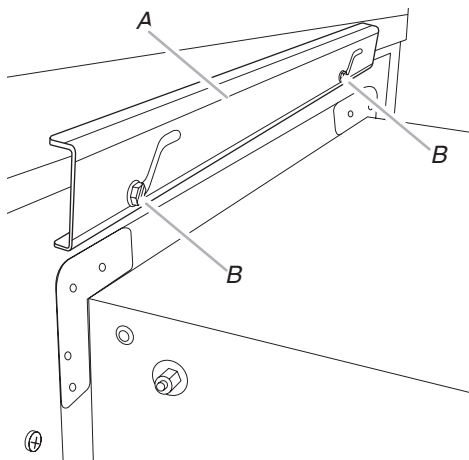


REMARQUE : Position alternative de montage du moteur du ventilateur (côté opposé). On peut également déplacer la caisse du moteur du ventilateur du côté opposé du circuit d'évacuation.

- Retirer la boîte du moteur de ventilateur. Suivre les étapes 1 et 2 présentées ci-dessus.
- Déconnecter le connecteur de fils du moteur de ventilateur (voir l'étape 3 de l'évacuation par l'arrière).
- Ôter le panneau du côté opposé en desserrant les vis placées dans les rainures en "Z" et en faisant glisser la bride supérieure de la même manière que pour la boîte du moteur.
- Installer la boîte du moteur de ventilateur du côté opposé de la boîte du système d'extraction. La placer dans la position requise pour la méthode d'évacuation à utiliser pour un moteur monté à l'intérieur, tel que spécifié.
- Rebrancher le connecteur de fils au moteur du ventilateur.
- Installer le couvercle de panneau du côté opposé du moteur de ventilateur.

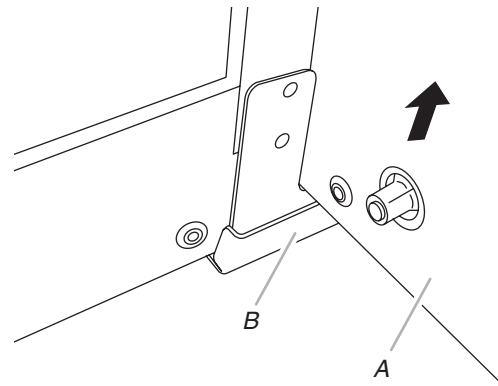
Évacuation par l'arrière :

- Ôter la boîte du système d'extraction. Desserrer les 2 vis (tête hex/fente droite) fixant la bride supérieure de montage du moteur sur la boîte du système d'extraction, suffisamment pour pouvoir faire glisser la bride dans les rainures en "Z"; ceci écarte la bride de la lèvre de montage supérieure de la boîte du ventilateur, ce qui permet de l'incliner/écarter par rapport au panneau de la boîte du système d'extraction.



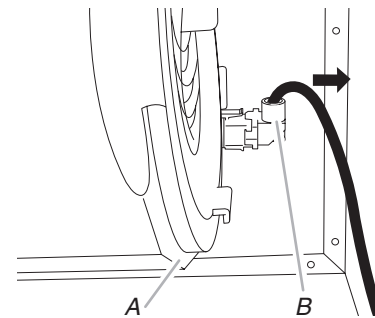
A. Bride avec rainures en "Z"
B. Vis (tête hex/fente droite) (2)

- Soulever la boîte du ventilateur pour la séparer du profilé de montage inférieur; conserver la boîte à part.



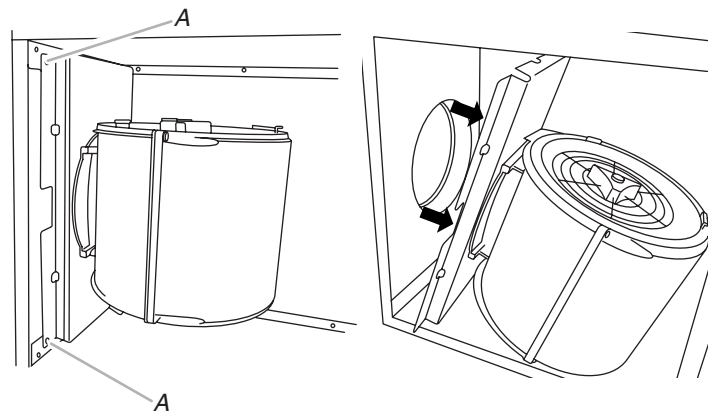
A. Boîte du ventilateur
B. Profilé de montage inférieur

- Débrancher le connecteur du câblage du moteur du ventilateur.



A. Moteur du ventilateur
B. Connecteur du câblage

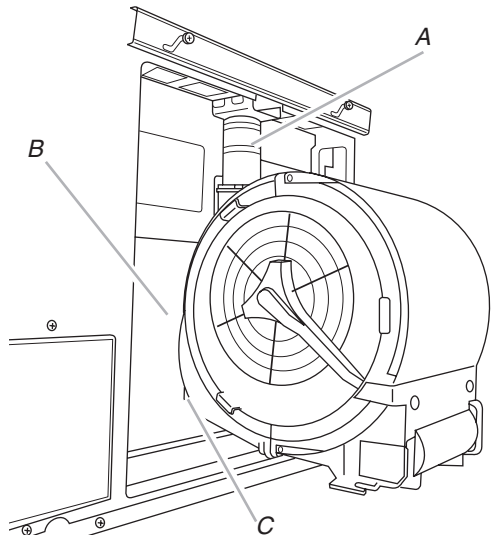
- Ôter les 2 vis de fixation de la bride de montage du moteur sur la boîte du système d'extraction. Séparer le moteur du ventilateur et la bride de montage de la boîte du système d'extraction.



A. Vis de la bride de montage du moteur du ventilateur (2)

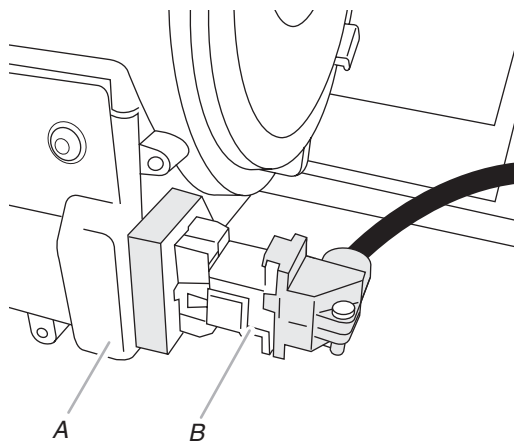
- Ôter les 4 vis de la petite plaque de fermeture à l'arrière de la chambre du ventilateur ; conserver les vis et le couvercle à part.

6. Installer le moteur du ventilateur et la bride de montage sur la bride juste au-dessous du moteur de la tourelle d'aspiration par le bas. L'ouverture de décharge du ventilateur doit pouvoir passer à travers le trou de la grande plaque de fermeture, du côté opposé de la chambre du ventilateur, là où on a enlevé la petite plaque de fermeture. Réinstaller et serrer les 2 vis de montage du moteur.



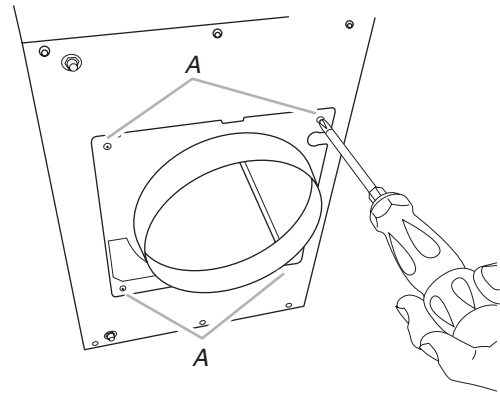
A. Moteur de la tourelle d'aspiration vers le bas
B. Grande plaque de fermeture
C. Ouverture du conduit d'évacuation du ventilateur

7. Brancher le connecteur du câblage sur le moteur du ventilateur.



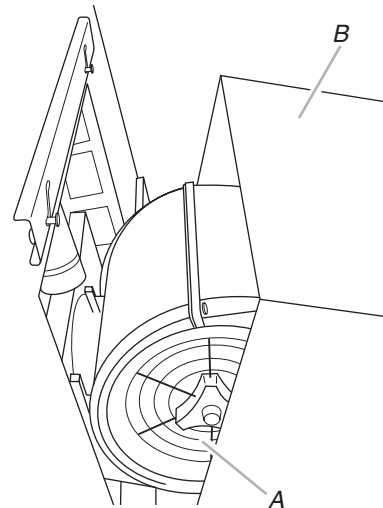
A. Moteur du ventilateur
B. Connecteur du câblage

8. Placer le raccord de tuyau d'évacuation de diamètre 6" sur l'orifice de décharge; fixer avec les 4 vis.



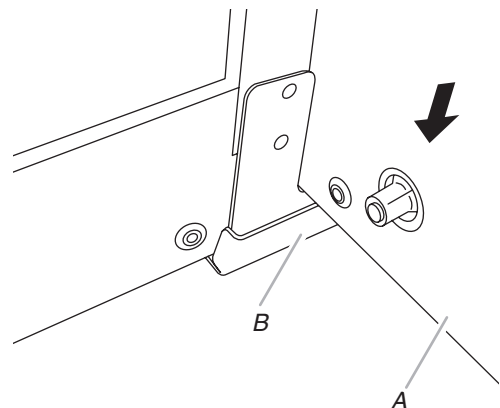
A. Vis (4) (raccord de tuyau d'évacuation)

9. Réinstaller la boîte du système d'extraction sur le moteur du ventilateur.



A. Moteur du ventilateur
B. Boîte du système d'extraction

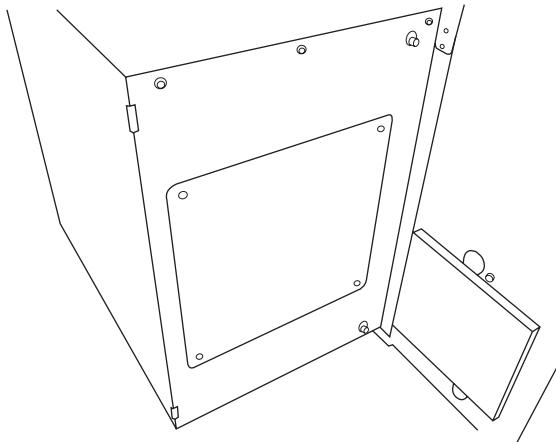
10. Placer la patte inférieure de la boîte du ventilateur dans le profilé de montage inférieur.



A. Boîte du système d'extraction
B. Profilé de montage inférieur

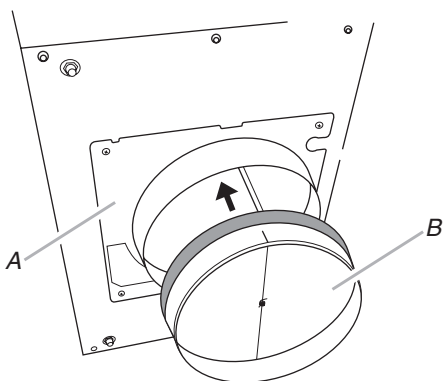
11. Incliner la patte supérieure de la boîte du ventilateur pour la placer en affleurement avec le panneau de la boîte du système d'extraction et la positionner sous la bride de montage supérieure.
12. Faire glisser la bride dans les rainures en "Z".

13. Serrer les 2 vis (tête hex/fente droite) pour assujettir.
14. Placer le petit couvercle de fermeture sur le trou dans la boîte du système d'extraction; fixer avec les 4 vis.



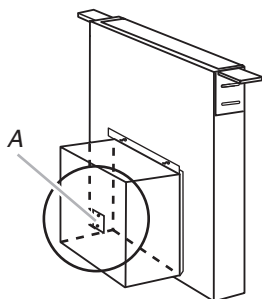
Achever l'installation

1. Connecter le clapet anti-reflux au raccord d'extension de 6". Le fixer avec la bride de fixation.



A. Raccord de tuyau d'évacuation - diam. 6"
B. Clapet anti-reflux

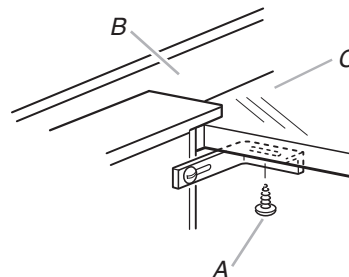
2. Ôter les 2 vis à tête Phillips fixant le couvercle du boîtier de connexion.



A. Couvercle de la boîte de connexion

Déterminer l'orientation de sortie (par l'arrière ou le bas) du câblage électrique depuis la boîte de connexion de l'appareil. Enlever l'opercule arrachable arrière ou inférieur, et installer un connecteur de conduit (homologation UL ou CSA).

3. Insérer le système d'extraction vers le bas dans l'ouverture découpée dans le plan de travail. Faire intervenir 2 personnes ou plus, veiller à centrer l'appareil dans l'ouverture découpée, et à le placer parallèlement à la rive. Établir l'aplomb vertical de l'appareil. Fixer les pieds de support de l'appareil sur le plancher du placard avec des vis.
4. Fixer 1 bride de fixation sous le plan de travail dans l'angle avant supérieur droit de l'appareil (placer la fente par-dessus le trou de montage, et la plaquette de fixation contre le plan de travail). Fixer l'autre bride sur le côté gauche de l'appareil. Percer des avant-trous à travers les brides de fixation sous le plan de travail, dans la face inférieure du plan de travail. Placer des vis de longueur appropriée pour bien fixer les brides sur le plan de travail.



A. Lors de la fixation des brides sous le plan de travail, veiller à utiliser des vis de longueur appropriée, qui ne traverseront pas le plan de travail lors du serrage.

B. Dossieret
C. Plan de travail

Raccordements électriques

⚠ AVERTISSEMENT



Risque de choc électrique

Déconnecter la source de courant électrique avant l'entretien.

Replacer pièces et panneaux avant de faire la remise en marche.

Le non-respect de ces instructions peut causer un décès ou un choc électrique.

1. Déconnecter la source de courant électrique.

2. Faire passer le câble d'alimentation à travers le connecteur de conduit et dans la boîte de connexion.

⚠ AVERTISSEMENT



Risque d'incendie

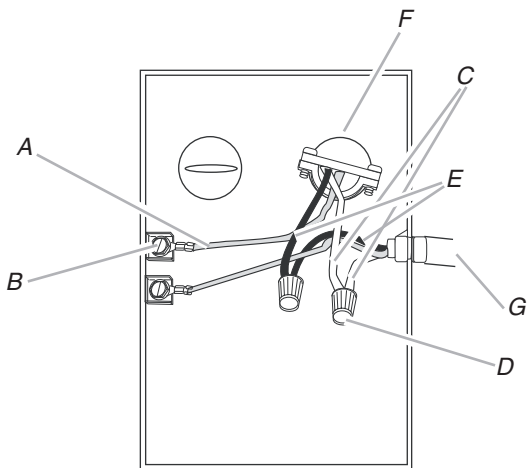
Relier le ventilateur à la terre.

Utiliser du fil en cuivre.

Brancher le fil relié à la terre à la vis verte reliée à la terre dans la boîte de la borne.

Le non-respect de ces instructions peut causer un décès, un incendie ou un choc électrique.

3. Connecter le conducteur de liaison à la terre (vert ou vert et jaune) avec la vis verte de liaison à la terre. Serrer les vis du connecteur de conduit.
4. Connecter ensemble les deux connecteurs blancs avec un connecteur de fils (homologation UL).



- A. Conducteur de liaison à la terre (vert or vert/jaune)
- B. Vis de liaison à la terre (verte)
- C. Conducteurs blancs
- D. Connecteurs de fils (homologation UL)
- E. Conducteurs noirs
- F. Connecteur de conduit (homologation UL ou CSA)
- G. Câblage du système d'extraction avec aspiration par le bas

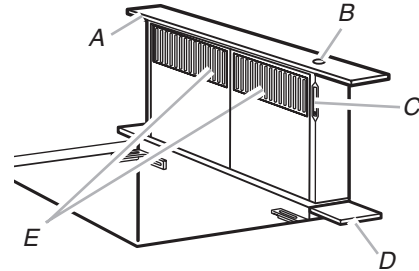
5. Connecter ensemble les deux connecteurs noirs avec un connecteur de fils (homologation UL).
6. Réinstaller le couvercle du boîtier de connexion (2 vis).
7. Reconnecter la source de courant électrique.

Contrôle du fonctionnement

1. Appuyer pendant quelques secondes sur le bouton au sommet du système d'extraction vers le bas. La section rétractable de l'appareil se déploie, et le ventilateur se met en marche. Positionner la garniture supérieure sur la section rétractable; emboîter la garniture en place.

On peut trouver chez le revendeur local des ensembles de garniture assortis à la couleur du plan de travail.

Pour des renseignements sur la commande, voir la section "Assistance ou service".



- A. Garniture supérieure
- B. Bouton Marche/Arrêt
- C. Bouton de commande du ventilateur
- D. Embout
- E. Filtres

2. Manœuvrer le bouton de commande sur le côté de l'appareil; vérifier le bon fonctionnement de l'appareil et la vitesse du ventilateur.
3. Si le ventilateur ne se met pas en marche :
 - Vérifier que chaque filtre est enfoncé aussi loin qu'il peut aller.
 - Déterminer si le disjoncteur s'est ouvert ou si un fusible est grillé.
 - Vérifier le fusible situé sous la carte des circuits d'alimentation.
4. Connecter le système d'extraction sur le ventilateur. Il faut que l'ouverture de décharge du système soit dotée d'une bouche de décharge (à travers le mur ou le toit). Utiliser des brides pour sceller tous les joints.
5. Installer la table de cuisson conformément aux instructions du fabricant. Vérifier que le bord arrière de la table de cuisson est en chevauchement de $\frac{3}{8}$ " (9,5 mm) sur le système d'extraction. Voir "Dimensions des ouvertures à découper dans le plan de travail", à la section "Exigences d'emplacement".

REMARQUE : Pour pouvoir tirer le plus grand parti du système d'extraction rétractable, lire la section "Utilisation du système d'extraction".

INSTRUCTIONS D'INSTALLATION VENTILATEUR MONTÉ À L'EXTÉRIEUR

Modèles KIRD et YKIRD seulement

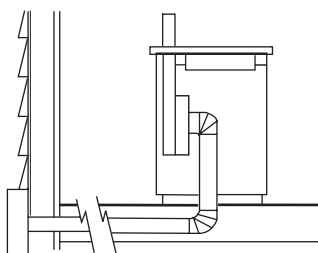
IMPORTANT : Le ventilateur extérieur modèle n° KPEU722M [1200 cfm (34 m³/3)] n'est pas utilisable avec ce système d'extraction rétractable.

REMARQUE : Pour un système avec ventilateur monté à l'extérieur, on doit utiliser un ventilateur modèle no KPEC992M [900 cfm (25,5 m³/m)], disponible chez un revendeur ou distributeur de pièces agréé.

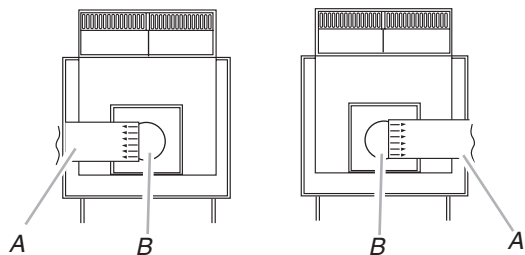
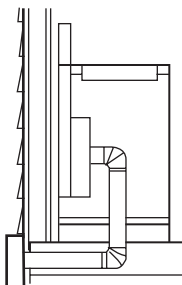
Méthodes d'extraction

Déterminer quelle méthode d'extraction est la plus appropriée. La décharge de l'air aspiré peut être effectuée à travers le mur ou le toit.

Configuration de cuisine en îlot



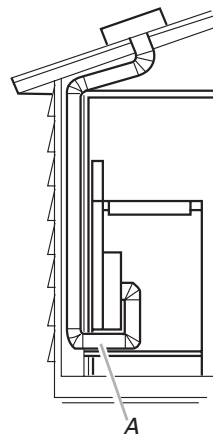
Placards adossés au mur



A. Évacuation par le côté gauche
B. Coude 90 degrés/diam. 10"

A. Évacuation par le côté droit
B. Coude 90 degrés/diam. 10"

Décharge à travers le toit



A. Conduit dia. 10" (25,4 cm)

Calcul de la longueur effective du système d'extraction

On recommande d'utiliser un conduit rond plutôt qu'un conduit rectangulaire, en particulier si des coudes sont nécessaires. Si un conduit rectangulaire est nécessaire, il doit être raccordé à un conduit rond de dia. 10" (25,4 cm) dès que possible.

Longueur maximum du système d'extraction

Système d'extraction	Longueur
Conduit dia. 10" (25,4 cm)	40 pi (12,2 m)

Pour calculer la longueur effective du système d'extraction nécessaire, additionner les longueurs équivalentes (pieds/mètres) de tous les composants utilisés dans le système.

Composant Conduit de diamètre 10" (25,4 cm)

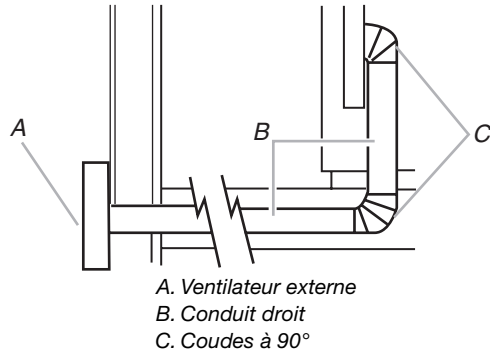
coude à 45° 2,5 pi (0,8 m)



coude à 90° 5 pi (1,5 m)



Exemple de système d'extraction



Dans l'exemple suivant, la longueur théorique du système est inférieure au maximum de 40 pi (12,2 m).

2 - coudes à 90°	= 10 pi (3 m)
Section droite de 10 pi (3 m)	= 10 pi (3 m)
Longueur du système de dia. 10" (25,4 cm)	= 20 pi (6 m)

REMARQUE : Une installation avec le ventilateur monté à l'extérieur nécessite un câble d'alimentation distinct qui doit être installé en même temps que le système d'extraction.

Installation du système d'extraction

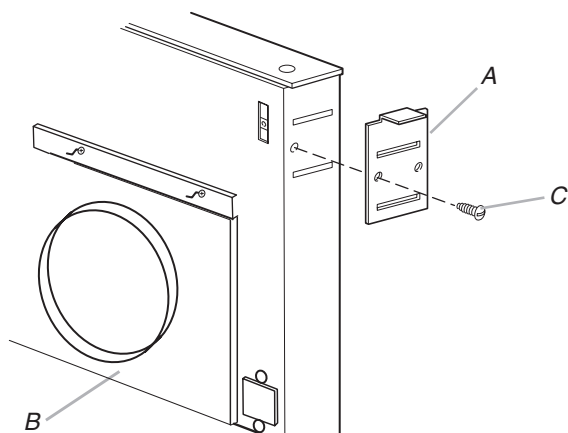
AVERTISSEMENT

Risque du poids excessif

Utiliser deux ou plus de personnes pour déplacer et installer le système d'extraction.

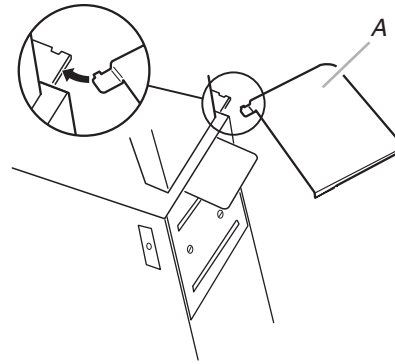
Le non-respect de cette instruction peut causer une blessure au dos ou d'autre blessure.

1. Placer une feuille de carton ou autre matériau de protection sur une surface plane, où on pourra facilement assembler le système.
2. Retirer tous les composants et pièces de l'emballage; placer ceux-ci sur une surface protégée.
3. Enlever tous les matériaux d'emballage, rubans adhésifs et films de protection protégeant l'appareil et le ventilateur.
4. Retirer les vis de chaque côté de l'appareil. Fixer à gauche et à droite sur l'appareil des brides latérales qui soutiendront l'appareil sur le plan de travail et soulever pour aligner les trous des vis. Utiliser 1 vis pour chaque bride.



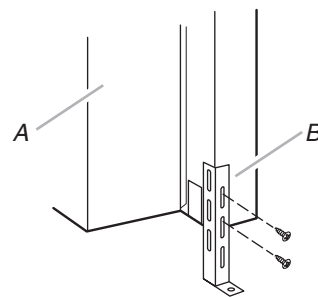
A. Bride de support sur plan de travail
B. Raccord d'adaptation du conduit d'évacuation de 10"
C. Vis pour bride de support (support sur plan de travail)

5. Fixer les embouts à gauche et à droite sur l'appareil. Placer l'embout sur le support du plan de travail, faire glisser l'onglet dans la fente et l'emboîter sur les onglets en plastique.



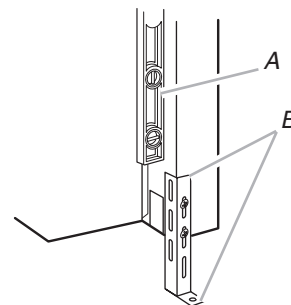
A. Embout

6. Fixer les pieds de support sur les côtés de l'appareil - 2 vis pour chaque pied. Ne pas serrer les vis.



A. Caisse du ventilateur
B. Support

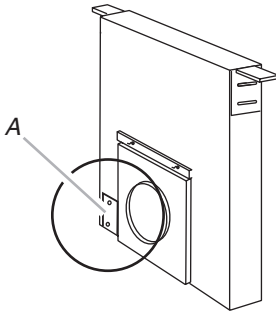
7. Faire intervenir 2 personnes ou plus, insérer le système d'extraction dans l'ouverture découpée dans le plan de travail. Veiller à placer le système d'extraction parallèlement au côté de l'ouverture découpée et à placer les brides de montage en chevauchement sur le plan de travail.
8. Ajuster le déploiement des pieds de support pour les placer en appui sur le plancher du placard. Placer un niveau contre l'avant de la base du système d'extraction; établir l'aplomb vertical de la hotte. Utiliser un crayon pour marquer la position de la limite supérieure de chaque pied sur le système d'extraction, et l'emplacement du trou de montage de chaque pied sur le plancher du placard.



A. Niveau
B. Marquer les positions

9. Retirer le système d'extraction. Percer des avant-trous à chaque emplacement de vis marqué sur le plancher du placard. Aligner le sommet des pieds avec les marques tracées au crayon sur l'appareil. Serrer les vis sur les pieds.

10. Ôter les 2 vis à tête Phillips fixant le couvercle du boîtier de connexion et retirer le couvercle.



A. Couvercle de la boîte de connexion

Enlever l'opercule arrachable arrière ou inférieur de la boîte de connexion; installer sur l'ouverture un connecteur de conduit (homologation UL ou CSA).

REMARQUE : Le câble d'alimentation à installer entre le ventilateur extérieur et la boîte de connexion n'est pas fourni.

On doit utiliser un câble à blindage flexible ou à gaine non métallique. Installer un connecteur de câble ou serre-câble de 1/2" (12,7 cm) à chaque extrémité du câble (homologation UL ou CSA).

11. Déterminer l'emplacement où le ventilateur extérieur sera installé. Découper l'ouverture appropriée dans le toit ou le mur pour le passage du système d'extraction jusqu'au ventilateur extérieur. Exécuter l'installation du ventilateur extérieur conformément aux instructions fournies avec le ventilateur.

Sortie murale :

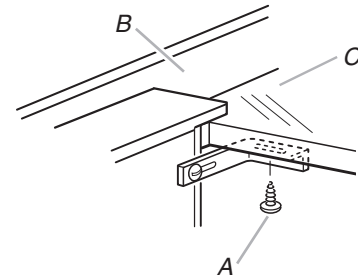
- Appliquer un calfeutrant pour assurer l'étanchéité entre la collerette de montage et le mur.

Sortie à travers le toit :

- Appliquer les procédures standard de traversée de toiture. Voir la section "Sorties à travers le toit" des instructions d'installation - Ventilateur monté à l'intérieur.
- La collerette devra être centrée par rapport à l'ouverture découpée dans le toit.
- La rive inférieure de la collerette doit reposer par-dessus les bardeaux; la rive supérieure doit être insérée sous les bardeaux.
- Utiliser un mastic pour toiture pour assurer l'étanchéité entre les éléments (toiture, ventilateur et collerette) pour empêcher toute fuite.

12. Faire intervenir 2 personnes ou plus, insérer le système d'extraction vers le bas dans l'ouverture découpée dans le plan de travail. Positionner l'appareil de façon à ce qu'il soit centré dans l'ouverture et parallèle à la rive. Établir l'aplomb vertical de l'appareil. Fixer les pieds de support de l'appareil sur le plancher du placard avec des vis.

13. Fixer 1 bride de fixation sous le plan de travail dans l'angle avant supérieur droit du système d'extraction vers le bas (placer la fente par-dessus le trou de montage, et la plaquette de fixation contre le plan de travail). Fixer l'autre bride sur le côté gauche de l'appareil. Percer des avant-trous à travers les brides de fixation sous le plan de travail, dans la face inférieure du plan de travail. Placer des vis de longueur appropriée pour bien fixer les brides sur le plan de travail.



A. Lors de la fixation des brides sous le plan de travail, veiller à utiliser des vis de longueur appropriée, qui ne traverseront pas le plan de travail lors du serrage.

B. Dosseret

C. Plan de travail

Raccordement électrique

⚠ AVERTISSEMENT



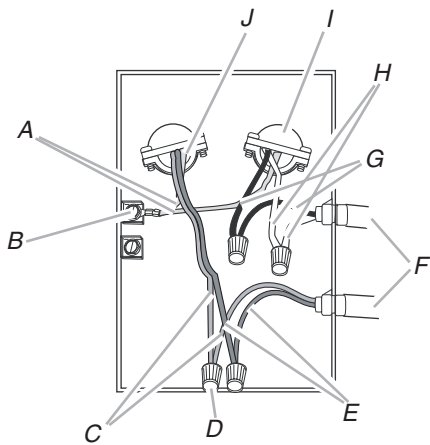
Risque de choc électrique

Déconnecter la source de courant électrique avant l'entretien.

Replacer pièces et panneaux avant de faire la remise en marche.

Le non-respect de ces instructions peut causer un décès ou un choc électrique.

1. Déconnecter la source de courant électrique.
2. Faire passer le câble d'alimentation à travers le connecteur de conduit et dans la boîte de connexion.
3. Enlever l'opercule arrachable de la boîte; installer un connecteur de conduit (homologation UL ou CSA). Faire passer le câblage du ventilateur à travers le connecteur de conduit.



- A. Conducteurs de liaison à la terre verts ou verts et jaunes
- B. Vis de liaison à la terre (verte)
- C. Conducteurs bleus
- D. Connecteurs de fils (homologation UL)
- E. Conducteurs marron
- F. Câblage du système d'extraction avec aspiration par le bas
- G. Conducteurs noirs
- H. Conducteurs blancs
- I. Connecteur et conduit approuvés (homologation UL ou CSA) (câble d'alimentation électrique du domicile).
- J. Connecteur et conduit approuvés (homologation UL ou CSA) (câblage du moteur du ventilateur monté à l'extérieur)

⚠ AVERTISSEMENT



Risque d'incendie

Relier le ventilateur à la terre.

Utiliser du fil en cuivre.

Brancher le fil relié à la terre à la vis verte reliée à la terre dans la boîte de la borne.

Le non-respect de ces instructions peut causer un décès, un incendie ou un choc électrique.

4. Fixer les conducteurs de liaison à la terre verts (ou verts et jaunes) du câble d'alimentation électrique du domicile et le câblage du moteur du ventilateur monté à l'extérieur à la vis de liaison à la terre verte.

IMPORTANT : Les conducteurs du moteur de ventilateur extérieur doivent être connectés dans le boîtier de connexion, tel qu'illustré.

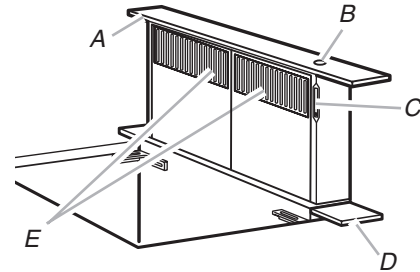
5. Connecter ensemble les deux connecteurs bleus avec des connecteurs de fils (homologation UL).
6. Connecter ensemble les deux connecteurs marron avec des connecteurs de fils (homologation UL).
7. Connecter ensemble les deux connecteurs blancs avec des connecteurs de fils (homologation UL).
8. Connecter ensemble les deux connecteurs noirs avec des connecteurs de fils (homologation UL).
9. Serrer les vis du connecteur de conduit.
10. Réinstaller le couvercle du boîtier de connexion (2 vis).
11. Reconnecter la source de courant électrique.

Achever l'installation

1. Appuyer pendant quelques secondes sur le bouton au sommet du système d'extraction. La section rétractable du système d'extraction se soulèvera. Le ventilateur se met en marche immédiatement si le bouton de commande du ventilateur est à la position de marche.
2. Positionner la garniture supérieure sur la section rétractable; emboîter la garniture en place.

On peut trouver chez le revendeur local des ensembles de garniture assortis à la couleur du plan de travail.

Pour des renseignements sur la commande, voir la section "Assistance ou service".



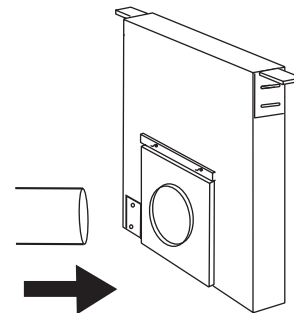
- A. Garniture supérieure
- B. Bouton Marche/Arrêt
- C. Bouton de commande du ventilateur
- D. Embout
- E. Filtrés

3. Manœuvrer le bouton de commande sur le côté de l'appareil; vérifier la vitesse du ventilateur.

Si le ventilateur ne se met pas en marche :

- Vérifier que chaque filtre est enfoncé aussi loin qu'il peut aller.
- Déterminer si le disjoncteur s'est ouvert ou si un fusible est grillé.
- Vérifier le fusible situé sous la carte des circuits d'alimentation.

4. Connecter le système d'extraction de dia. 10" (25,4 cm) sur le raccord d'adaptation.



Positionner le système d'extraction de telle manière qu'il n'y ait pas d'interférence avec des solives ou des poteaux de colombage. Exécuter tout le travail d'installation du système d'extraction. Utiliser des brides pour sceller tous les joints.

Pour une installation avec sortie à travers le mur, la section de conduit horizontale devrait être légèrement inclinée pour que toute humidité condensée puisse être évacuée à l'extérieur.

5. Installer la table de cuisson conformément aux instructions du fabricant. Vérifier que le bord arrière de la table de cuisson est en chevauchement de $\frac{3}{8}$ " (9,5 mm) sur le système d'extraction rétractable. Voir "Dimensions des ouvertures à découper dans le plan de travail", à la section "Exigences d'emplacement".

REMARQUE : Pour pouvoir tirer le plus grand parti du système d'extraction rétractable, lire la section "Utilisation du système d'extraction".

UTILISATION DU SYSTÈME D'EXTRACTION

La fonction du système d'extraction vers le bas est d'aspirer et évacuer hors de la cuisine les vapeurs et fumées de cuisson, sources d'odeurs.

- Pour optimiser la performance, on devrait faire fonctionner le système d'extraction avant d'entreprendre une cuisson.
- Lors de l'emploi d'un ustensile de grande taille, placer celui-ci sur un brûleur ou élément chauffant de grande taille, à l'arrière.
- Lorsque le système d'extraction est utilisé, il peut être nécessaire d'employer une puissance de chauffage plus élevée.
- Ce ventilateur est utilisable avec un dispositif de réglage de vitesse à semi-conducteurs.

Utilisation du système d'extraction

Utilisation :

1. Appuyer pendant quelques secondes sur le bouton au sommet de l'appareil. (Ce léger délai permet d'empêcher une mise en marche accidentelle du ventilateur lors des opérations de nettoyage de la table de cuisson.) La section rétractable du système d'extraction se déploie. Le ventilateur se met en marche immédiatement si le bouton de commande du ventilateur est à la position de marche.

2. Pour sélectionner la vitesse du ventilateur, utiliser le bouton de commande (côté droit) du système d'extraction par le bas.

Lorsque la cuisson est terminée :

1. Appuyer sur le bouton situé au sommet du système d'extraction rétractable. Le ventilateur s'arrête; la section rétractable revient à sa position de repos.

Advenant un renversement de liquide suscitant l'introduction de liquide dans le système d'extraction par le bas, on doit arrêter immédiatement l'appareil. L'introduction d'un liquide (eau, etc.) dans le système en fonctionnement peut lui faire subir des dommages.

1. Commander immédiatement l'arrêt de l'aspiration avec le bouton situé sur le côté droit de l'appareil.
2. Interrompre l'alimentation du circuit au niveau du tableau de distribution (disjoncteurs/fusibles).
3. Ne pas utiliser l'appareil pendant une période suffisante pour que le séchage naturel soit complet. Ne pas ouvrir l'appareil pour enlever l'eau ou autre liquide.

ENTRETIEN DU SYSTÈME

Surface de l'appareil

Pour éviter d'endommager la finition, nettoyer les surfaces avec de l'eau savonneuse. Ne pas utiliser une solution de récurage ou un produit abrasif.

Filtres

Enlever et nettoyer fréquemment le(s) filtre(s) de la section rétractable de l'appareil. Ceci optimisera l'efficacité de fonctionnement.

Dépose des filtres:

1. Introduire l'extrémité des doigts au sommet des filtres.
2. Appuyer sur les filtres, suffisamment pour pouvoir libérer la patte au sommet des filtres.
3. Tirer vers l'avant pour dégager le filtre de sa rainure.

Nettoyage :

1. Ôter les filtres et les nettoyer au lave-vaisselle ou dans une solution de détergent chaude. Le système d'extraction par le bas ne fonctionne pas lorsque les filtres ne sont pas installés.
2. Faire sécher complètement les filtres avant de les réinstaller; veiller à bien emboîter chaque filtre.

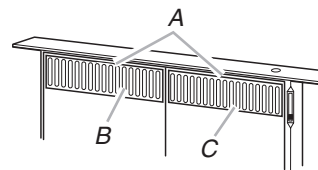
Remplacement des filtres:

1. Placer les filtres dans la section rétractable du système d'extraction avec aspiration par le bas.
2. Introduire l'extrémité des doigts au sommet des filtres et pousser vers le bas/vers l'arrière pour permettre la mise en place des pattes.

REMARQUE : L'appareil ne fonctionne pas si un filtre n'est pas correctement placé. Si les manettes ne sont pas totalement verrouillées, l'appareil peut exécuter la manœuvre de rétraction, mais pas le déploiement.

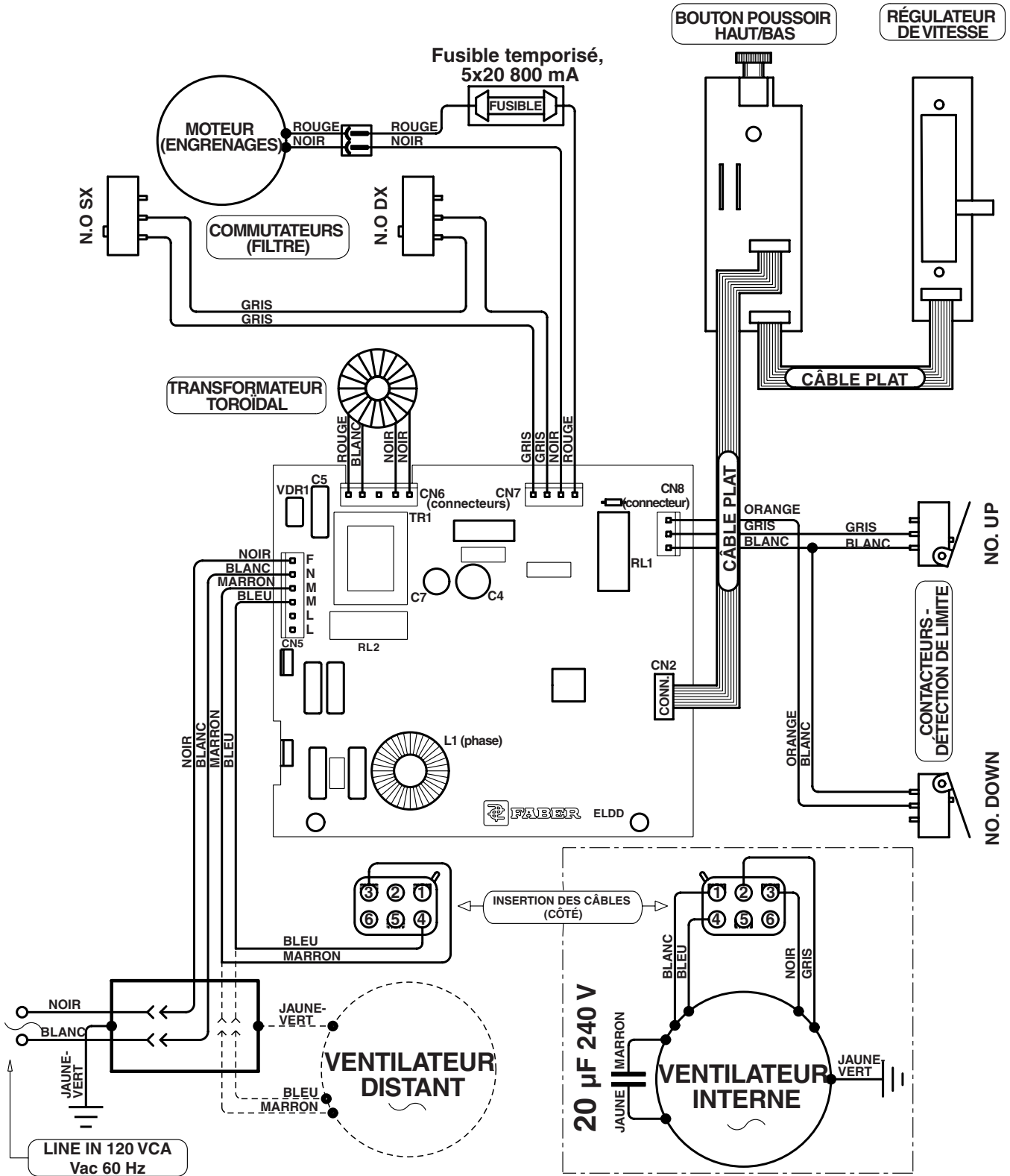
Si l'appareil ne fonctionne pas après l'installation des filtres nettoyes :

Pousser le filtre aussi loin qu'il peut aller. Lorsqu'on enlève un filtre, ceci désactive un contacteur placé derrière le filtre. Ceci empêche l'appareil de fonctionner aussi longtemps que le filtre n'a pas été correctement réinstallé.



A. Manettes de verrouillage
B. Filtre de gauche
C. Filtre de droite

SCHÉMA DE CÂBLAGE



ASSISTANCE OU SERVICE

Lors d'un appel pour assistance ou service, veuillez connaître la date d'achat, le numéro de modèle et le numéro de série au complet de l'appareil. Ces renseignements nous aideront à mieux répondre à votre demande.

Si vous avez besoin de pièces de rechange

Si vous avez besoin de commander des pièces de rechange, nous vous recommandons d'employer uniquement des pièces spécifiées par l'usine. Les pièces spécifiées par l'usine conviendront et fonctionneront bien parce qu'elles sont fabriquées avec la même précision utilisée dans la fabrication de chaque nouvel appareil. Pour localiser des pièces spécifiées par l'usine dans votre région, nous appeler ou téléphoner au centre de service désigné le plus proche.

Aux États-Unis

Téléphoner au Centre pour l'eXpérience de la clientèle de KitchenAid sans frais d'interurbain: **1-800-422-1230**.

Nos consultants sont prêts à vous aider pour les questions suivantes :

- Caractéristiques et spécifications sur toute notre gamme d'appareils électroménagers.
- Renseignements d'installation.
- Procédés d'utilisation et d'entretien.
- Vente de pièces de rechange et d'accessoires.
- Assistance spécialisée aux consommateurs (langue espagnole, malentendants, malvoyants, etc.).
- Références aux marchands locaux, distributeurs de pièces de rechange et compagnies de service. Les techniciens de service désignés par KitchenAid sont formés pour effectuer les travaux de réparation sous garantie et le service après la garantie, partout aux États-Unis.

Pour localiser la compagnie de service désignée par KitchenAid dans votre région, vous pouvez aussi consulter les Pages jaunes de l'annuaire téléphonique.

Pour plus d'assistance

Si vous avez besoin de plus d'assistance, vous pouvez soumettre par écrit toute question ou préoccupation à KitchenAid à l'adresse suivante :

KitchenAid Brand Home Appliances
Customer eXperience Center
553 Benson Road
Benton Harbor, MI 49022-2692

Dans votre correspondance veuillez indiquer un numéro de téléphone où on peut vous joindre le jour.

Au Canada

Veuillez appeler sans frais le Centre pour l'eXpérience de la clientèle de Whirlpool Canada LP au : **1-800-807-6777**.

Nos consultants vous renseigneront sur les sujets suivants :

- Caractéristiques et spécifications sur toute notre gamme d'appareils électroménagers.
- Consignes d'utilisation et d'entretien.
- Ventes d'accessoires et de pièces de rechange.
- Références aux marchands locaux, aux distributeurs de pièces de rechange et aux compagnies de service. Les techniciens de service désignés par Whirlpool Canada LP sont formés pour remplir la garantie des produits et fournir un service après la garantie, partout au Canada.

Pour plus d'assistance

Si vous avez besoin de plus d'assistance, vous pouvez soumettre par écrit toute question ou préoccupation à Whirlpool Canada LP à l'adresse suivante :

Centre pour l'eXpérience de la clientèle
Whirlpool Canada LP
1901 Minnesota Court
Mississauga, Ontario L5N 3A7

Veuillez inclure dans votre correspondance un numéro de téléphone où on peut vous joindre dans la journée.

Accessoires

REMARQUE : Instructions d'installation fournies avec chaque ensemble.

Pour les modèles séries KIRD et YKIRD 801, 802

Garniture monopiece de 30" (76,2 cm) :

Pièce n° W10187282 (noir)

Pour les modèles séries KIRD et YKIRD 861, 862

Garniture monopiece de 36" (91,4 cm) :

Pièce n° W10187285 (noir)

GARANTIE DU SYSTÈME DE VENTILATION KITCHENAID®

GARANTIE LIMITÉE

Pendant un an à compter de la date d'achat, lorsque ce gros appareil ménager est utilisé et entretenu conformément aux instructions jointes à ou fournies avec le produit, la marque KitchenAid de Whirlpool Corporation ou Whirlpool Canada LP (ci-après désignées "KitchenAid") paiera pour les pièces spécifiées par l'usine et la main-d'œuvre pour corriger les vices de matériaux ou de fabrication. Le service doit être fourni par une compagnie de service désignée par KitchenAid. Cette garantie limitée est valide uniquement aux États-Unis ou au Canada et s'applique exclusivement lorsque l'appareil est utilisé dans le pays où il a été acheté. À l'extérieur du Canada et des 50 États des États-Unis, cette garantie limitée ne s'applique pas. Une preuve de la date d'achat original est exigée pour obtenir un service dans le cadre de la présente garantie limitée.

ARTICLES EXCLUS DE LA GARANTIE

La présente garantie limitée ne couvre pas :

1. Les visites de service pour rectifier l'installation du gros appareil ménager, montrer à l'utilisateur comment utiliser l'appareil, remplacer ou réparer des fusibles ou rectifier le câblage ou la plomberie du domicile.
2. Les visites de service pour réparer ou remplacer les ampoules électriques de l'appareil, les filtres à air ou les filtres à eau. Les pièces consommables ne sont pas couvertes par la garantie.
3. Les réparations lorsque le gros appareil ménager est utilisé à des fins autres que l'usage unifamilial normal ou lorsque les instructions d'installation et/ou les instructions de l'opérateur ou de l'utilisateur fournies ne sont pas respectées.
4. Les dommages imputables à : accident, modification, usage impropre ou abusif, incendie, inondation, actes de Dieu, installation fautive ou installation non conforme aux codes d'électricité ou de plomberie, ou l'utilisation de pièces consommables ou de produits nettoyants non approuvés par KitchenAid.
5. Les défauts apparents, notamment les éraflures, les bosses, fissures ou tout autre dommage au fini du gros appareil ménager, à moins que ces dommages soient dus à des vices de matériaux ou de fabrication et soient signalés à KitchenAid dans les 30 jours suivant la date d'achat.
6. Les coûts associés au transport du gros appareil ménager du domicile pour réparation. Ce gros appareil ménager est conçu pour être réparé à domicile et seul le service à domicile est couvert par la présente garantie.
7. Les réparations aux pièces ou systèmes résultant d'une modification non autorisée faite à l'appareil.
8. Les frais de transport pour le service d'un produit si votre gros appareil est situé dans une région éloignée où un service d'entretien KitchenAid autorisé n'est pas disponible.
9. La dépose et la réinstallation de votre gros appareil si celui-ci est installé dans un endroit inaccessible ou n'est pas installé conformément aux instructions d'installation fournies.
10. Les gros appareils ménagers dont les numéros de série et de modèle originaux ont été enlevés, modifiés ou qui ne peuvent pas être facilement identifiés. La présente garantie est nulle si le numéro de série d'usine a été modifié ou enlevé du gros appareil ménager.

Le coût d'une réparation ou des pièces de rechange dans le cadre de ces circonstances exclues est à la charge du client.

CLAUSE D'EXONÉRATION DE RESPONSABILITÉ AU TITRE DES GARANTIES IMPLICITES; LIMITATION DES RECOURS

LE SEUL ET EXCLUSIF RECOURS DU CLIENT DANS LE CADRE DE LA PRÉSENTE GARANTIE LIMITÉE CONSISTE EN LA RÉPARATION PRÉVUE CI-DESSUS. LES GARANTIES IMPLICITES, Y COMPRIS LES GARANTIES APPLICABLES DE QUALITÉ MARCHANDE ET D'APTITUDE À UN USAGE PARTICULIER, SONT LIMITÉES À UN AN OU À LA PLUS COURTE PÉRIODE AUTORISÉE PAR LA LOI. KITCHENAID N'ASSUME AUCUNE RESPONSABILITÉ POUR LES DOMMAGES FORTUITS OU INDIRECTS. CERTAINES JURIDICTIONS NE PERMETTENT PAS L'EXCLUSION OU LA LIMITATION DES DOMMAGES FORTUITS OU INDIRECTS, OU LES LIMITATIONS DE LA DURÉE DES GARANTIES IMPLICITES DE QUALITÉ MARCHANDE OU D'APTITUDE À UN USAGE PARTICULIER, DE SORTÉ QUE CES EXCLUSIONS OU LIMITATIONS PEUVENT NE PAS S'APPLIQUER DANS VOTRE CAS. CETTE GARANTIE VOUS CONFÈRE DES DROITS JURIDIQUES SPÉCIFIQUES ET VOUS POUVEZ ÉGALEMENT JOUIR D'AUTRES DROITS QUI PEUVENT VARIER D'UNE JURIDICTION À UNE AUTRE.

À l'extérieur du Canada et des 50 États des États-Unis, cette garantie ne s'applique pas. Contactez votre marchand KitchenAid autorisé pour déterminer si une autre garantie s'applique.

Si vous avez besoin de service, voir d'abord la section "Dépannage" du Guide d'utilisation et d'entretien. Après avoir vérifié la section "Dépannage", de l'aide supplémentaire peut être trouvée en vérifiant la section "Assistance ou service" ou en appelant KitchenAid. Aux É.-U., composer le **1-800-422-1230**. Au Canada, composer le **1-800-807-6777**. 9/07

Conservez ce manuel et votre reçu de vente ensemble pour référence ultérieure. Pour le service sous garantie, vous devez présenter un document prouvant la date d'achat ou d'installation.

Inscrivez les renseignements suivants au sujet de votre gros appareil ménager pour mieux vous aider à obtenir assistance ou service en cas de besoin. Vous devrez connaître le numéro de modèle et le numéro de série au complet. Vous trouverez ces renseignements sur la plaque signalétique située sur le produit.

Nom du marchand _____

Adresse _____

Numéro de téléphone _____

Numéro de modèle _____

Numéro de série _____

Date d'achat _____

W10187117B

© 2008. All rights reserved.
Tous droits réservés.

® Registered Trademark/TM Trademark of KitchenAid, U.S.A., KitchenAid Canada licensee in Canada
© Marque déposée/TM Marque de commerce de KitchenAid, U.S.A., Emploi sous licence par KitchenAid Canada au Canada

7/08
Printed in Italy
Imprimé en Italie