

KitchenAid® 36" Island Range Hood

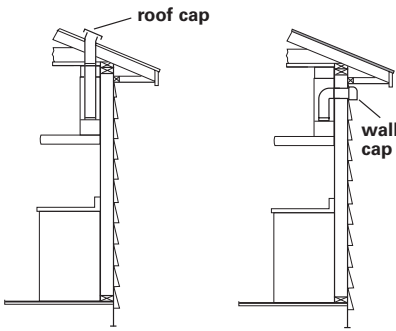
PRODUCT MODEL NUMBERS

KICU465S



Electrical: 120-volt, 60-Hz, AC-only, 15-amp. electrical supply. Use copper wire only. A time-delay fuse or circuit breaker and separate circuit is recommended.

VENTING REQUIREMENTS

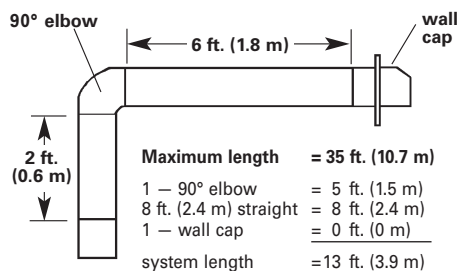
Vertical roof venting Horizontal wall venting



To calculate the length of the system you need, add the equivalent feet (meters) for each vent piece used in the system.

Vent piece	8" (20.3 cm) round
45° elbow	2.5 feet (0.8 m) 
90° elbow	5.0 feet (1.5 m) 

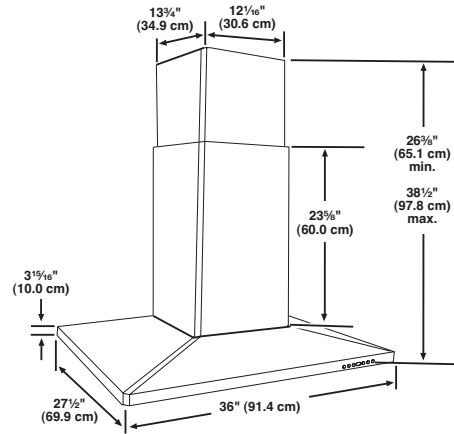
6" (15.2 cm) vent system



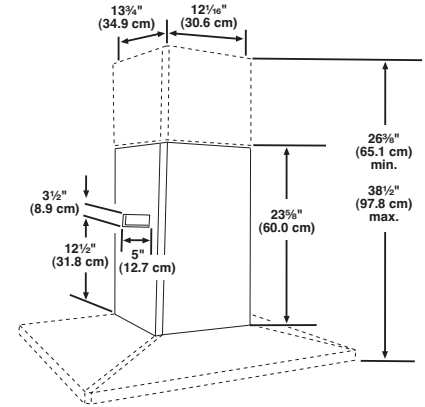
Note: Flexible vent is **Not** recommended.

OVERALL DIMENSIONS

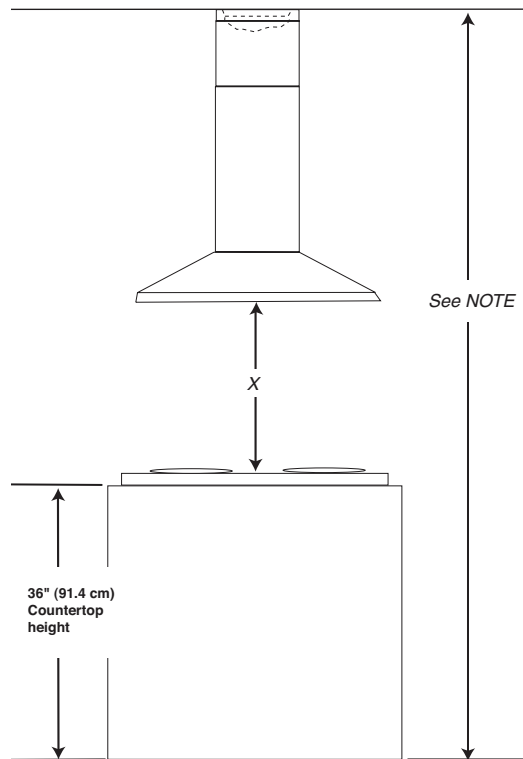
Vented chimney dimensions



Non-vented (recirculating) chimney dimensions



CABINET OPENING DIMENSIONS



Note: The hood chimneys are adjustable and designed to meet varying ceiling or soffit heights depending on the distance "X" between the bottom of the hood and the cooking surface. For higher ceilings, a 40" (101.6 cm) Chimney Extension Kit Part Number 8212698 (Black), Kit Part Number 8212696 (Stainless Steel) or Kit Part Number 8212697 (White) is available. See your dealer. The chimney extension replaces the upper chimney shipped with the hood.

Important:
Minimum distance "X": 24" (61.0 cm)
Suggested maximum distance "X": 30" (76.2 cm)

For vented installations, the chimney can be adjusted for ceilings between 7' 7-1/8" (2.31 m) and 9' 1-3/4" (2.79 m).

For non-vented (recirculating) installations, the chimney can be adjusted for ceilings between 8' 3-3/8" (2.52 m) and 9' 5-1/4" (2.88 m).

Important:
As hood height (distance X) increases, hood's venting effectiveness **decreases**.