

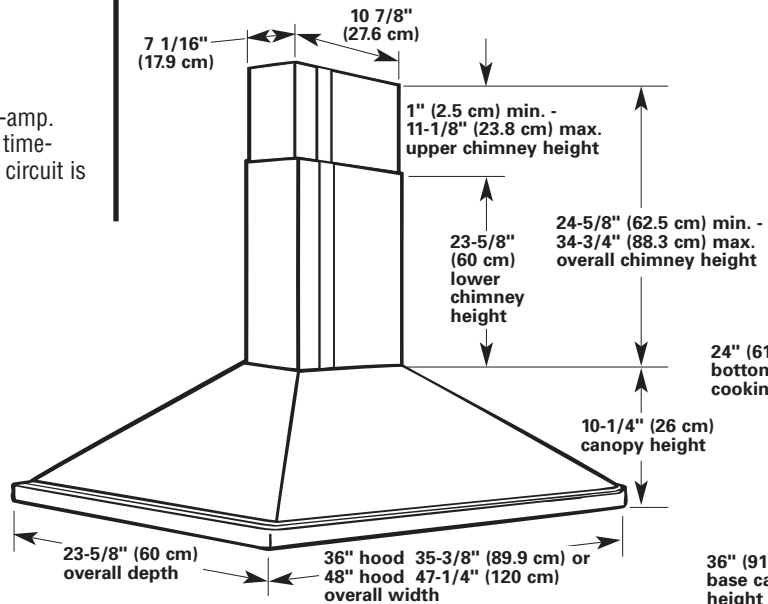
KitchenAid® 36" and 48" Island Canopy Range Hood

PRODUCT MODEL NUMBERS

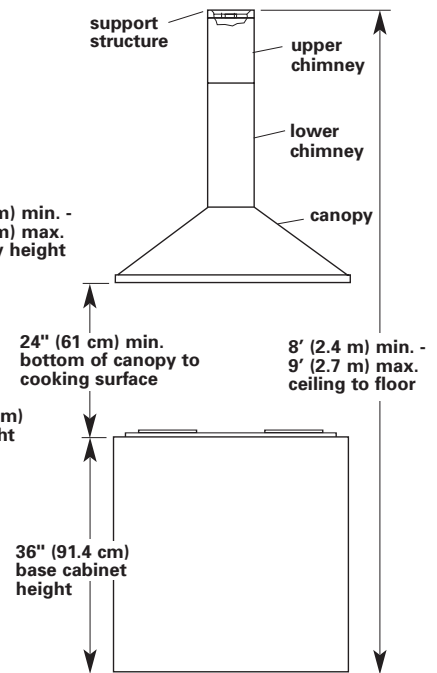
KICU265H
KICU285H

Electrical: 120-volt, 60-Hz, AC-only, 15-amp. electrical supply. Use copper wire only. A time-delay fuse or circuit breaker and separate circuit is recommended.

OVERALL DIMENSIONS

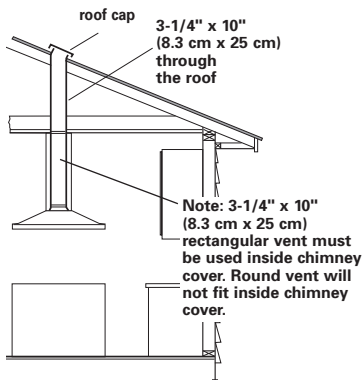


CABINET OPENING DIMENSIONS



VENTING REQUIREMENTS

Vertical roof venting



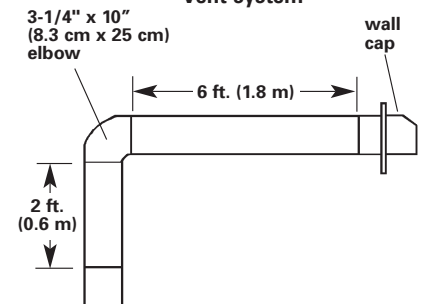
The vent system length should not exceed the lengths shown in the chart below.

Vent size	Maximum length
3-1/4" x 10" (8.3 cm x 25 cm)	35 ft. (10.7 m)
7" (17.8 cm) round	40 ft. (12.2 m)
8" (20.3 cm) round	50 ft. (15.2 m)
9" (22.9 cm) round	60 ft. (18.3 m)

To calculate the length of the system you need, add the equivalent feet for each vent piece used in the system.

Vent Piece	3-1/4" x 10" (8.3 cm x 25 cm) Rectangular	7" (17.8 cm), 8" (20.3 cm) or 9" (22.9 cm) Round
45° elbow	7.0 feet (2.1 m)	2.5 feet (0.8 cm)
90° elbow	5.0 feet (1.5 m)	5.0 feet (1.5 m)
90° flat elbow	12.0 feet (3.7 m)	
transition to round	5.0 feet (1.5 m)	
wall cap	0.0 feet (0.0 m)	

3-1/4" x 10" (8.3 cm x 25 cm) vent system



Maximum length = 35 ft. (10.7 m)

- 1 — 90° elbow = 5 ft. (1.5 m)
- 8 ft. (2.4 m) straight = 8 ft. (2.4 m)
- 1 — wall cap = 0 ft. (0 m)

Length of 3-1/4" x 10"
(8.3 cm x 25 cm)
system = 13 ft. (4 m)

Note: Flexible vent is Not recommended.

If it is used, each foot of flexible vent used is equivalent to two feet (61 cm) of straight metal vent when calculating the vent system length. (Example: A flexible elbow equals two standard elbows.)

Horizontal wall venting

