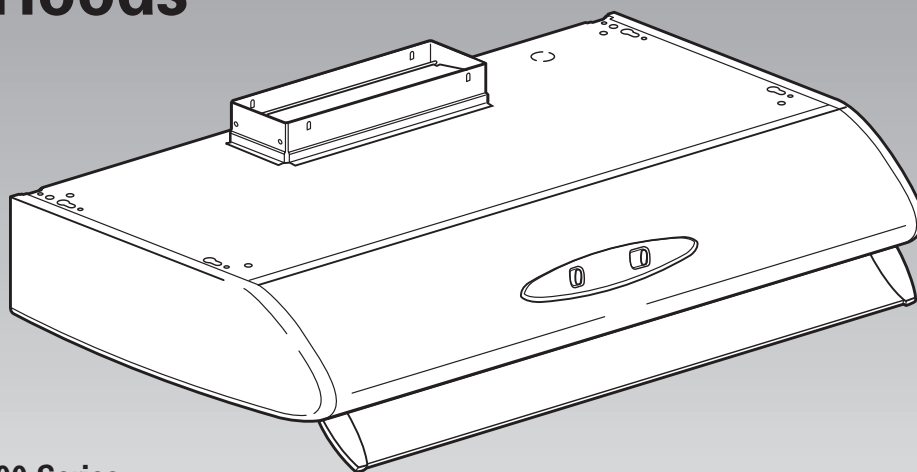


Installation Instructions and Use and Care Guide

30" (76.2 cm) and 36" (91.4 cm) Traditional Series Vented and Non-Vented Range Hoods



KHTU100 Series
KHTU160 Series

Roof-vented model shown.

IMPORTANT:
Read and save
these instructions.

IMPORTANT:

Installer: Leave Installation Instructions with the homeowner.

Homeowner: Keep Installation Instructions for future reference.

Save Installation Instructions for local electrical inspector's use.

Quick Reference

Table of Contents:

Pages

2	Before you start
2	Electrical requirements
3	Vent system requirements
3	Product dimensions
4 - 6	Installation steps
6	Wiring diagram
6 - 7	Use and Care Information
7	Warranty
8 - 9	Requesting Assistance or Service

Before you start...

Your safety and the safety of others are very important.

We have provided many important safety messages in this manual and on your appliance. Always read and obey all safety messages.



This is the safety alert symbol. This symbol alerts you to potential hazards that can kill or hurt you and others.

All safety messages will follow the safety alert symbol and either the word "DANGER" or "WARNING". These words mean:

DANGER

You can be killed or seriously injured if you don't **immediately** follow instructions.

WARNING

You can be killed or seriously injured if you don't follow instructions.

All safety messages will tell you what the potential hazard is, tell you how to reduce the chance of injury, and tell you what can happen if the instructions are not followed.

Important: Observe all governing codes and ordinances.

Proper installation is your responsibility:

- Have a qualified technician install this range hood.
- Comply with installation clearances specified on the model/serial rating plate.

If installation is non-vented (recirculating), you must use Non-Vent (recirculating) Kit Part No. 4396273, available from your dealer. The kit fits all models.

The model/serial rating plate is located inside the range hood. To access, remove the grease filters.

Range hood location should be away from strong draft areas, such as windows, doors and strong heating vents.

Grounded electrical connection is required. See "Electrical requirements."

Important: This hood must be a minimum of 24" (61 cm) above cooking surface.

All openings in ceiling and wall where range hood will be installed must be sealed.

Tools and materials needed for installation:

- Phillips head screwdriver
- drill
- 1-1/2" (4.0 cm) drill bit
- keyhole saw
- sabre or jig saw
- metal snips
- tape (for template)
- duct tape
- pencil
- UL- or CSA-listed 1/2" (12.5 mm) conduit connector (for range hood)
- 1 wall or roof cap
- power supply cable (if not previously installed)
- metal vent system (if not previously installed)

Parts supplied:

- four 2-3/4" (7 cm) screws
- four 2" (5.1 cm) screws
- hood installation template

WARNING — TO REDUCE THE RISK OF FIRE, ELECTRIC SHOCK, OR INJURY TO PERSONS, OBSERVE THE FOLLOWING:

Installation work and electrical wiring must be done by qualified person(s) in accordance with all applicable Codes and Standards, including fire related construction. Sufficient air is needed for proper combustion and exhausting of gases through the flue (chimney) of fuel burning equipment to prevent back drafting. Follow the heating equipment manufacturer's guideline and safety standards such as those published by the National Fire Protection Association (NFPA), and the American Society of Heating Refrigeration and Air Conditioning Engineers (ASHRAE), and the local code authorities.

When cutting or drilling into wall or ceiling, do not damage electrical wiring and other hidden utilities.

Ducted fans must always be vented to the outdoors.

WARNING — To reduce the risk of fire, use only metal ductwork.

This unit must be grounded.

Copies of the standards listed may be obtained from:

* National Fire Protection Association
One Batterymarch Park
Quincy, Massachusetts 02269

** CSA International
8501 East Pleasant Valley Road
Cleveland, Ohio 44131-5575

Electrical requirements

Important: Observe all governing codes and ordinances.

It is the customer's responsibility:

- To contact a qualified electrical installer.
- To assure that the electrical installation is adequate and in conformance with National Electrical Code, ANSI/NFPA 70 — latest edition*, or CSA Standards C22.1-94, Canadian Electrical Code, Part 1 and C22.2 No.0-M91 - latest edition** and all local codes and ordinances.

If codes permit and a separate ground wire is used, it is recommended that a qualified electrician determine that the ground path is adequate.

A 120-volt, 60-Hz, AC-only, fused electrical system is required on a separate 15-amp circuit, fused on both sides of the line.

Do not ground to a gas pipe.

Check with a qualified electrician if you are not sure range hood is properly grounded.

Do not have a fuse in the neutral or ground circuit.

IMPORTANT:

Save Installation Instructions for electrical inspector's use.

The range hood must be connected with copper wire only.

The range hood should be connected directly to the fused disconnect (or circuit breaker) box through flexible armored or nonmetallic sheathed copper cable. Wire sizes (COPPER WIRE ONLY) and connections must conform with the rating of the appliance as specified on the model/serial rating plate.

Wire sizes must conform to the requirements of the National Electrical Code ANSI/NFPA 70 — latest edition*, or CSA Standards C22.1-94, Canadian Electrical Code Part 1 and C22.2 No. 0-M91 - latest edition** and all local codes and ordinances.

A U.L.- or CSA-listed strain relief must be provided at each end of the power supply cable (at the range hood and at the junction box).

For vented models:

Vent system requirements

Do not terminate the vent system in an attic or other enclosed area.

Do not use 4" (10.2 cm) laundry-type wall caps.

Use metal vent only. Rigid metal vent is recommended. Do not use plastic or metal foil vent.

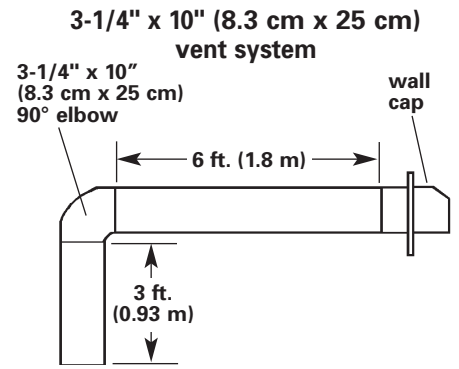
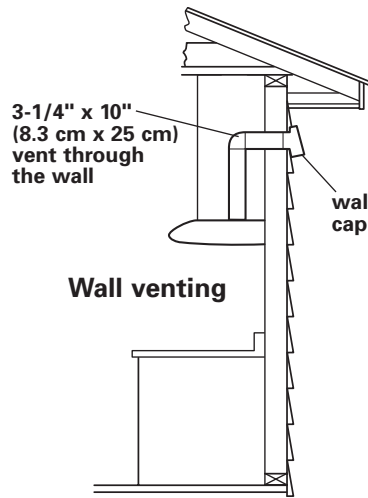
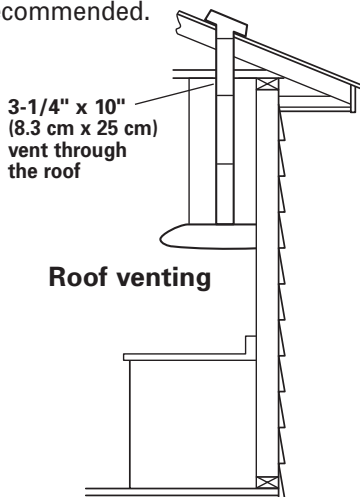
Flexible vent is not recommended. Flexible vent creates back pressure that greatly reduces the hood's performance.

- The size of the vent should be uniform.
- Use no more than three 90° elbows.
- Make sure there is a minimum of 24" (61 cm) of straight vent between the elbows if more than one elbow is used.
- Do Not install two elbows together.
- The length of vent system and number of elbows should be kept to a minimum to provide efficient performance.
- The vent system must have a damper. If roof or wall cap has a damper, Do Not use damper supplied with the range hood.
- Use duct tape to seal all joints in the vent system.
- Use caulking to seal exterior wall or roof opening around the cap.

Note: It is recommended that the vent system be installed before installing the hood.

Venting methods

Vent system needed for installation is not included. 3-1/4" x 10" (8.3 cm x 25 cm) rectangular is recommended.



Maximum length	= 26 ft. (8 m)
1 — 90° elbow	= 5 ft. (1.5 m)
9 ft. (2.8 m) straight	= 9 ft. (2.8 m)
1 — wall cap	= 0 ft. (0 m)
<hr/>	
Length of 3-1/4" x 10" (8.3 cm x 25 cm) system	= 14 ft. (4.3 m)

Recommended vent system length

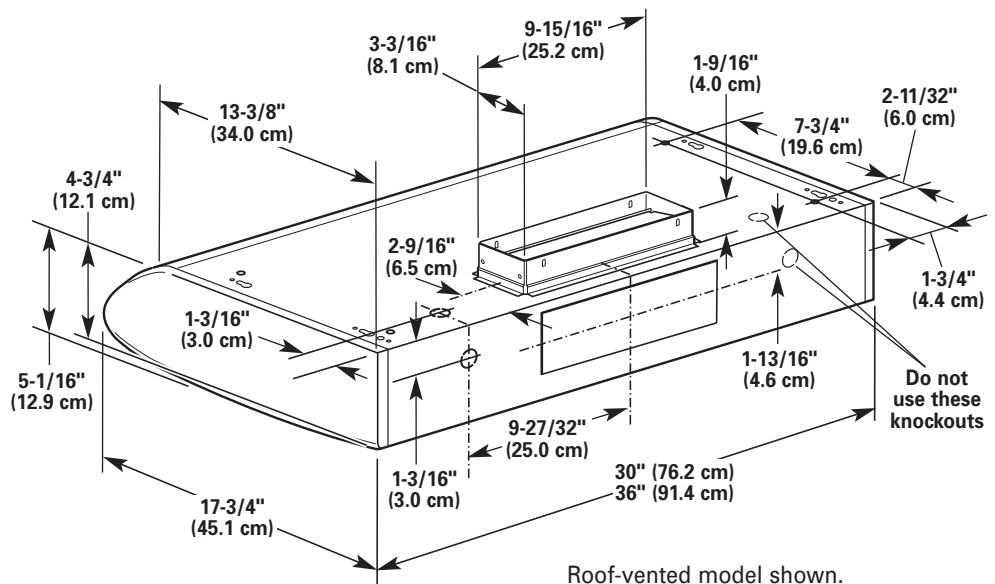
Use 3 1/4" x 10" (8.3 cm x 25 cm) vent with maximum length of 26 feet (8 m) for vent system. For best performance, use no more than three 90° elbows. To calculate the length of system you need, add the equivalent feet (meters) for each vent piece used in the system. See the following example.

Recommended standard fittings

3-1/4" x 10" (8.3 cm x 25 cm) 90° elbow = 5 ft. (1.5 m)	
3-1/4" x 10" (8.3 cm x 25 cm) flat elbow = 12 ft. (3.7 m)	
3-1/4" x 10" (8.3 cm x 25 cm) wall cap = 0 ft. (0 m)	

Product dimensions

Note: Underside of hood must be a minimum of 24" (61 cm) from cooking surface.



Now start...

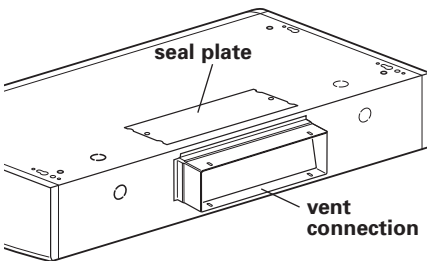
1. Put a thick protective covering over cooktop, set-in range or countertop to protect from damage or dirt.

If installing over a freestanding range, disconnect and move the range to provide easier access to the upper cabinet and rear wall. **Slide range onto cardboard or hardboard before moving to prevent damaging floor covering.**

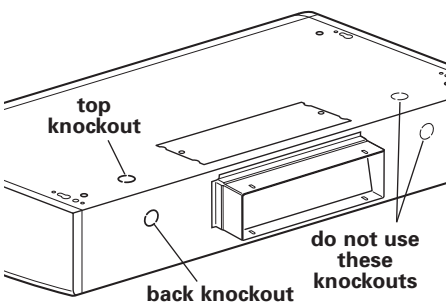
2. Place hood on a protective cover with filters facing down.

3. Determine which venting method (roof, wall or non-vented) will be used.

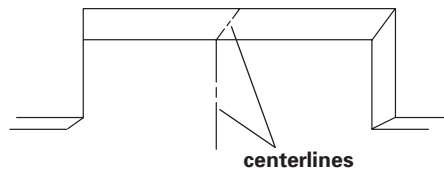
- The hood is factory-set for roof venting.
- For non-vented installations, go to Step 4.



If venting through the wall, remove seal plate from back of hood and vent connector from top of hood. Reinstall vent connector on back of hood and seal plate on top of hood.

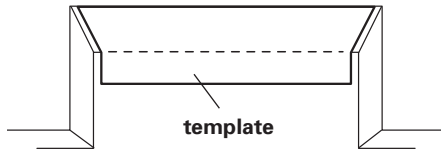


4. Remove knockout from the wiring opening (top or back) to be used.



5. Mark centerlines on rear wall and upper cabinet bottom.

For non-vented installations: Extend centerline up onto soffit above hood.



6. Align centerlines of template with centerlines marked on rear wall and upper cabinet bottom. Tape template in place. Mark location of the four holes used to secure hood to upper cabinet.

7. Depending on your installation, mark location of the wiring hole or vent cutout in upper cabinet or back wall needed as shown on template.

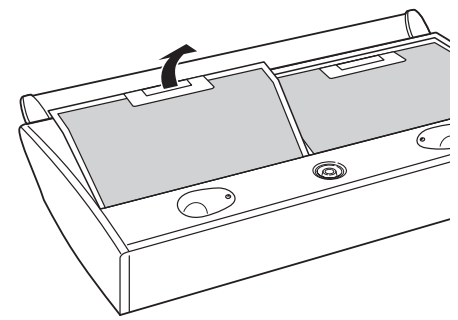
8. Remove template.

9. Drill four 3/16" (5.0 mm) diameter holes through upper cabinet for the hood mounting screws.

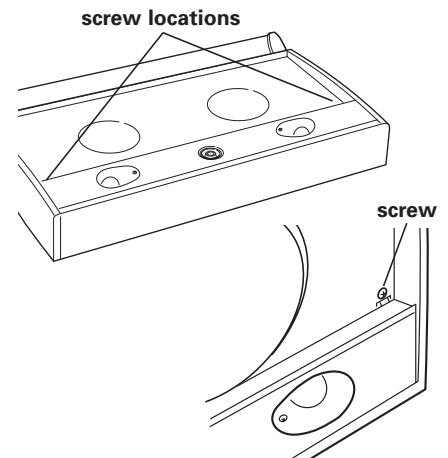
10. Drill the 1-1/2" (4.0 cm) wiring hole.

11. Make the vent cutout for 3-1/4" x 10" (8.3 x 25.4 cm) rectangular vent system. Note: It is recommended that vent system be installed before installing hood.

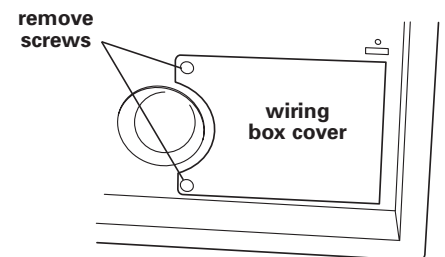
12. Turn the hood over so filters face up.



13. Rotate deflector away from filters. Pull grease filter handles toward back of hood to release locking tabs. Lift filters up, remove from hood and set aside.



14. Remove 2 screws from light panel tabs. On light panel surface directly behind tabs, push toward back of the hood to move tabs out through the slots. Remove panel and set aside with screws.

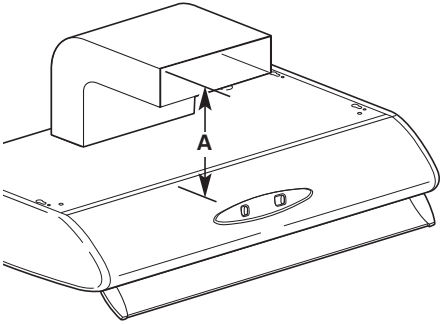


15. Remove 2 screws from wiring box cover located in the right hand rear corner and remove cover. Attach the U.L.- or CSA-listed strain relief to the hood wiring hole being used.

16. Turn hood over so filters face down.

17. Attach hood damper into vent connector. Make sure that damper swings freely. If wall or roof vent system cap has a damper, DO NOT attach damper that came with hood.

Non-vented (recirculating) installations only: Assemble the vent system you will use over the roof vent opening but do not attach the vent system yet.



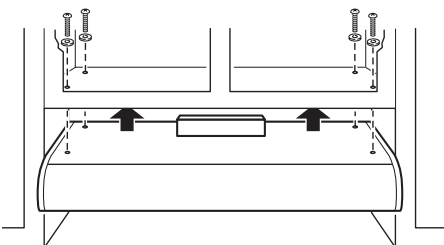
Measure distance A and transfer it to the centerline on the soffit. Mark and cut a 3-1/4" x 10" (8.3 cm x 25 cm) vent opening in the soffit.

18. The hood is attached to cabinet bottom by four screws with washers inserted through cabinet bottom from inside of cabinet and into hood.

- If your cabinet has a frame around the bottom, use the four 2-3/4" (7 cm) long screws in parts bag.
- If your cabinet has a flush bottom (no frame), use the four shorter 2" (5.1 cm) long screws in parts bag.

! WARNING

Excessive Weight Hazard
Use two or more people to move and install range hood.
Failure to do so can result in back or other injury.



19. Lift hood into place while feeding wiring into wiring box.

Feed enough wire into wiring box to easily make the connections and tighten the strain relief. Insert the four screws through cabinet bottom and into hood. Start screws into hood and tighten securely.

20. Connect the vent system.

Non-vented installations: Install the grille on the soffit.

Electrical connection

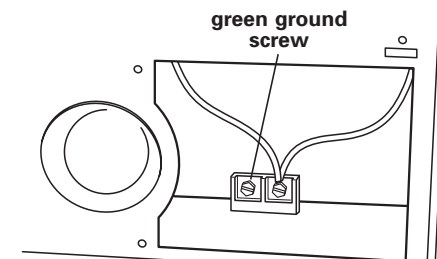
! WARNING

Electrical Shock Hazard

Disconnect power before making electrical connections.

Connect ground wire to green ground screw in terminal box.

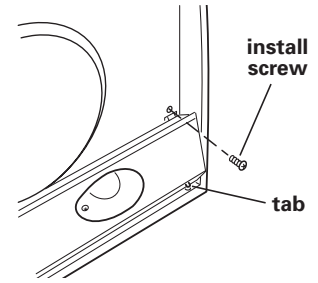
Failure to do so can result in death or electrical shock.



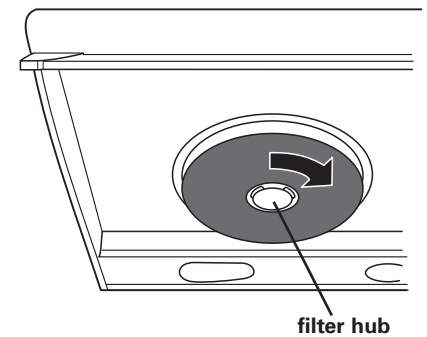
21. Connect the white and black wires of power supply cable to the white and black leads in hood with twist-on connectors.

Connect the power supply ground wire to the green ground screw inside hood's terminal box.

Replace terminal box cover.



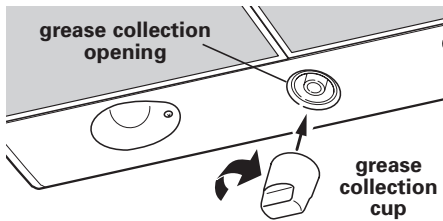
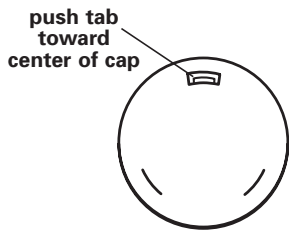
22. Reinstall light panel. Insert light panel tabs into slots. Push in on back of light panel and insert the small tabs into the locating holes in back of the hood. Reinstall the 2 screws and tighten securely.



23. Non-vented (recirculating) installations: Install the charcoal filters. Place filter over hub in blower openings, push up and turn clockwise to lock filter into place.

24. Install the aluminum grease filters.

Use and Care Information

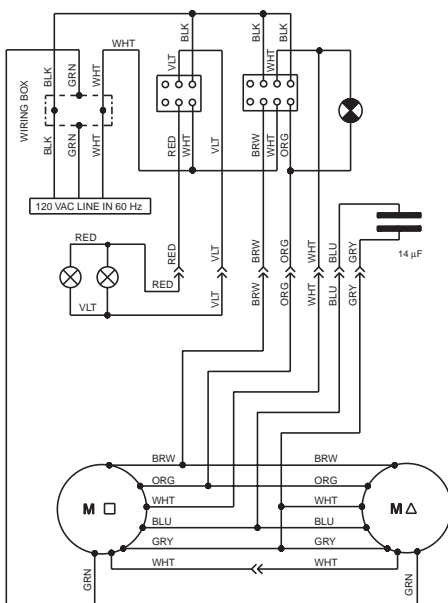


25. Remove plastic cap located between lights. Locate tab in cap's large slot. Use a small flat-bladed screwdriver and press tab toward center of cap to release tab. Squeeze cap to release other 2 tabs and discard cap.

Remove grease collection cup from the parts bag and twist cup clockwise into opening.

26. Turn power supply on.

Wiring diagram



WARNING — To reduce the risk of fire or electrical shock, do not use this fan with any solid-state speed control device.

WARNING — TO REDUCE THE RISK OF FIRE, ELECTRIC SHOCK, OR INJURY TO PERSONS, OBSERVE THE FOLLOWING:

Use this unit only in the manner intended by the manufacturer. If you have questions, contact the manufacturer. Before servicing or cleaning unit, switch power off at service panel and lock the service disconnecting means to prevent power from being switched on accidentally. When the service disconnecting means cannot be locked, securely fasten a prominent warning device such as a tag to the service panel

CAUTION: For general ventilating use only. Do not use to exhaust hazardous or explosive materials and vapors.

WARNING — TO REDUCE THE RISK OF A RANGE TOP GREASE FIRE:

Never leave surface units unattended at high settings. Boilovers cause smoking and greasy spillovers that may ignite. Heat oils slowly on low or medium settings.

Always turn hood ON when cooking at high heat or when cooking flaming foods.

Clean ventilating fans frequently. Grease should not be allowed to accumulate on fan or filter.

Use proper pan size. Always use cookware appropriate for the size of the surface element.

WARNING — TO REDUCE THE RISK OF INJURY TO PERSONS IN THE EVENT OF A RANGE TOP GREASE FIRE, OBSERVE THE FOLLOWING:

SMOTHER FLAMES with a close-fitting lid, cookie sheet, or metal tray, then turn off the burner. **BE CAREFUL TO PREVENT BURNS.** If the flames do not go out immediately, **EVACUATE AND CALL THE FIRE DEPARTMENT.**

NEVER PICK UP A FLAMING PAN — You may be burned.

DO NOT USE WATER, including wet dishcloths or towels — a violent steam explosion will result. Use an extinguisher **ONLY** if:

You know you have a Class ABC extinguisher, and you already know how to operate it.

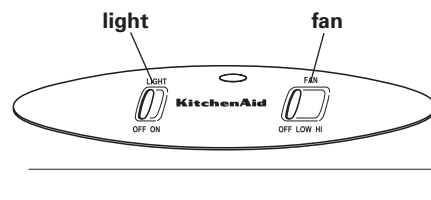
The fire is small and contained in the area where it is started.

The fire department is being called.

You can fight the fire with your back to an exit.

Operation of range hood

For best results, turn range hood fan ON at beginning of cooking and allow it to run until all smoke and odors are removed from the room.



To turn fan ON and OFF:

Slide fan control to turn fan on and off and adjust fan speed. Speed may be increased or decreased anytime during range hood operation.

To turn range hood light ON and OFF:

Slide light control to turn on or off. Light may be turned on or off anytime during range hood operation.

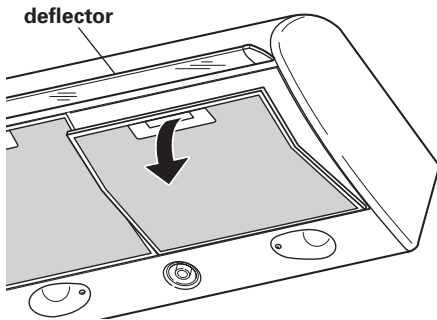
Deflector: When cooking will create a lot of smoke, use the deflector. The deflector will concentrate the venting action of the hood.

To use deflector, grasp from inside and pull down. Push up to return to its original position.

Care of range hood

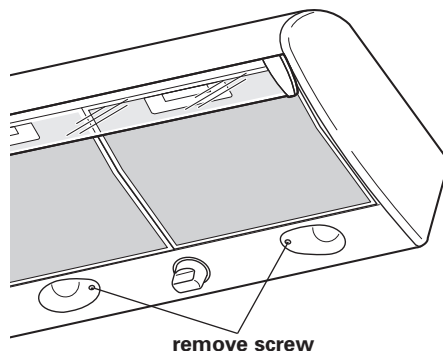
Filters: For best results, remove and clean aluminum filters often. Filters can be cleaned in a dishwasher or with hot sudsy water.

Do not wash charcoal filters used with non-vented (recirculating) installations. Charcoal filters can be replaced by ordering Kit Part No. 4396273, available from your dealer.

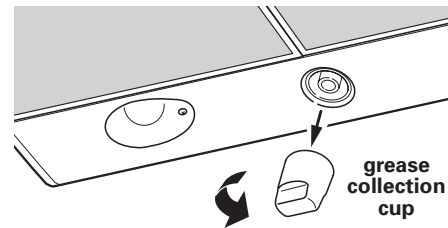


To remove filters: Pull the deflector down. Push the handles toward the back of the hood and pull down.

To reinstall filters: Insert filters into back of hood; push up into place while pushing back on handles. Release handles.



Replacing lights: Use a Phillips screwdriver to remove screw holding the light lens cap. Remove the bulb and replace with a 40W, E17 sfera, 120-volt type bulb. Reinstall light lens.



Cleaning grease collection cup: Twist cup counterclockwise to remove. Wash in hot sudsy water. Dry, insert into opening and twist clockwise.

Exterior surfaces: Clean with a mild detergent and soft cloth. **DO NOT** use abrasive cleaners or steel wool.

Warranty

KitchenAid® Range Hood Warranty

LENGTH OF WARRANTY	KitchenAid WILL PAY FOR
LIMITED ONE-YEAR WARRANTY From Date of Purchase	Labor and any parts of your range hood (except light bulbs and filters) which are defective in materials or workmanship.
KitchenAid WILL NOT PAY FOR	
<p>A. Consumable parts such as light bulbs and filters.</p> <p>B. Service calls to:</p> <ol style="list-style-type: none"> 1. Correct the installation of the range hood. 2. Instruct you how to use the range hood. 3. Replace house fuses or correct house wiring. <p>C. Repairs when range hood is used in other than normal, single-family household use.</p> <p>D. Pickup and delivery. This product is designed to be repaired in the home.</p> <p>E. Damage to range hood caused by accident, misuse, fire, flood, act of God or use of products not approved by KitchenAid.</p>	

KITCHENAID AND KITCHENAID CANADA DO NOT ASSUME ANY RESPONSIBILITY FOR INCIDENTAL OR CONSEQUENTIAL DAMAGES. Some states or provinces do not allow the exclusion or limitation of incidental or consequential damages, so this exclusion or limitation may not apply to you.

This warranty gives you specific legal rights, and you may also have other rights which may vary from state to state or province to province.

Outside the United States and Canada, a different warranty may apply. For details, please contact your authorized KitchenAid dealer.

If you need service, see the "Requesting Assistance or Service" section or call our KitchenAid Customer Interaction Center, 1-800-235-0665 (toll-free), from anywhere in the U.S.A. or Canada.

Requesting Assistance or Service

If you need assistance or service in U.S.A.

Call the KitchenAid Customer Interaction Center toll-free at 1-800-235-0665.

Our consultants are available to assist you.

When calling: Please know the purchase date, and the complete model and serial number of your appliance. This information will help us better respond to your request.



Our consultants provide assistance with:

- Features and specifications on our full line of appliances
- Installation information

- Use and maintenance procedures
- Accessory and repair parts sales
- Specialized customer assistance (Spanish speaking, hearing impaired, limited vision, etc.)
- Referrals to local dealers, service companies, and repair parts distributors

KitchenAid-designated service technicians are trained to fulfill the product warranty and provide after-warranty service anywhere in the United States.

To locate the designated KitchenAid service company in your area, you can also look in your telephone directory Yellow Pages.

If you need replacement parts

If you need to order replacement parts, we recommend that you use only factory-authorized parts. These parts will fit right and work right because they are made to the same exacting specifications used to build every new KitchenAid® appliance.

To locate factory-authorized parts in your area, call our Customer Interaction Center telephone number, your nearest authorized service center, or KitchenAid Factory Service at 1-800-442-1111.

For further assistance

If you need further assistance, you can write to KitchenAid with any questions or concerns at:

KitchenAid Brand Home Appliances
Customer Interaction Center
c/o Correspondence Dept.
2000 North M-63
Benton Harbor, MI 49022-2692

Please include a daytime phone number in your correspondence.

Requesting Assistance or Service

If you need assistance or service in Canada

1. Call the KitchenAid Canada

**Customer Interaction Center toll-free,
8:30 a.m. – 6 p.m. (EST),
at 1-800-235-0665...**



or contact the dealer from whom you purchased your appliance.

2. If you need service†...

Contact your nearest KitchenAid Canada Appliance Service branch or authorized servicing outlet to service your appliance. (See list below.) Make sure the service company you contact is authorized to service your appliance during the warranty period.

†When asking for assistance or service, please provide a detailed description of the problem, your appliance's complete model and serial numbers, and the purchase date. This information will help us respond properly to your request.

KitchenAid Canada Appliance Service – Consumer Services

Direct service branches:

BRITISH COLUMBIA		1-800-665-6788
ALBERTA		1-800-661-6291
ONTARIO (except 807 area code)	Ottawa area	1-800-267-3456
	Outside the Ottawa area	1-800-807-6777
MANITOBA, SASKATCHEWAN and 807 area code in ONTARIO		1-800-665-1683
QUEBEC	Montreal (except South Shore)	1-800-361-3032
	South Shore Montreal	1-800-361-0950
	Quebec City	1-800-463-1523
	Sherbrooke	1-800-567-6966
ATLANTIC PROVINCES		1-800-565-1598

For further assistance

If you need further assistance, you can write to KitchenAid Canada with any questions or concerns at:

Consumer Relations Department
KitchenAid Canada
1901 Minnesota Court
Mississauga, Ontario L5N 3A7

Please include a daytime phone number in your correspondence.

Part No. 4329145 04-260500/8284977
Pièce N° 4329145 04-260500/8284977

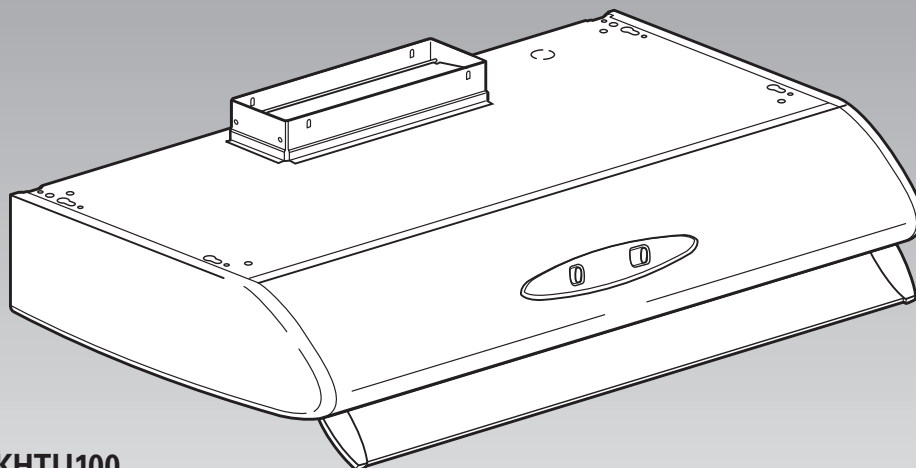
© 2001 KitchenAid

® Registered trademark/™ trademark of KitchenAid, U.S.A., KitchenAid Canada licensee in Canada

6/2001

Instructions d'installation et Guide d'utilisation et d'entretien

Hottes d'aspiration pour cuisinière — série traditionnelle avec décharge ou à recyclage
76,2 cm(30 po) et 91,4 cm (36 po)



Série KHTU100
Série KHTU160

Modèle représenté pour
décharge à travers le toit.

IMPORTANT :
Lire et conserver
ces instructions.

IMPORTANT:

Installateur : Remettre les instructions d'installation au propriétaire de l'appareil.

Propriétaire : Conserver les instructions d'installation pour consultation ultérieure.

Conserver les instructions d'installation à l'intention de l'inspecteur local des installations électriques.

Consultation rapide

Table des matières :

Pages

- 2** Avant de commencer...
- 2** Spécifications de l'installation électrique
- 3** Spécifications pour modèles avec évacuation
- 3** Dimensions du produit
- 4 - 6** Étapes de l'installation
- 6** Schéma de câblage
- 6 - 7** Utilisation et entretien
- 7** Garantie
- 8 - 9** Demande d'assistance ou de service

Avant de commencer...

Votre sécurité et celle des autres est très importante.

Nous donnons de nombreux messages de sécurité importants dans ce manuel, et sur votre appareil ménager. Assurez-vous de toujours lire tous les messages de sécurité et de vous y conformer.



Voici le symbole d'alerte de sécurité.

Ce symbole d'alerte de sécurité vous signale les dangers potentiels de décès et de blessures graves à vous et à d'autres.

Tous les messages de sécurité suivront le symbole d'alerte de sécurité et le mot «DANGER» ou «AVERTISSEMENT». Ces mots signifient :

DANGER

Risque possible de décès ou de blessure grave si vous ne suivez pas immédiatement les instructions.

AVERTISSEMENT

Risque possible de décès ou de blessure grave si vous ne suivez pas les instructions.

Tous les messages de sécurité vous diront quel est le danger potentiel et vous disent comment réduire le risque de blessure et ce qui peut se produire en cas de non-respect des instructions.

Important : Observer les dispositions de tous les codes et règlements en vigueur.

C'est à vous qu'incombe la responsabilité de :

- Demander à un technicien qualifié d'installer cette hotte.
- Respecter lors de l'installation les dégagements de séparation spécifiés sur la plaque signalétique de l'appareil.

Pour une installation avec recyclage de l'air, on doit utiliser l'ensemble de pièces spécial no 4396273 disponible chez le revendeur. Cet ensemble est utilisable avec tous les modèles.

La plaque signalétique est située à l'intérieur de la hotte. Pour y accéder, enlever les filtres à graisse.

La hotte d'aspiration devrait toujours être installée loin des sources de courants d'air comme fenêtres, portes et bouches de chauffage.

Une prise de courant électrique reliée à la terre est nécessaire. Voir « Spécifications de l'installation électrique ».

Important : Cette hotte doit être placée à au moins 61 cm (24 po) au-dessus de la surface d'une table de cuisson.

On doit calfeutrer toutes les ouvertures percées dans le plafond ou le mur pour l'installation de la hotte.

Outillage et matériel nécessaires pour l'installation :

- tournevis Phillips
- perceuse
- foret 4 cm (1 1/2 po)
- scie à guichet
- scie sauteuse
- cisaille de ferblantier
- ruban adhésif (pour gabarit)
- ruban adhésif pour conduit
- crayon
- connecteur de conduit 12,5 mm (1/2 po) (homologation UL ou CSA) (pour hotte)
- bouche de décharge (à travers le mur ou toit)
- câble
- d'alimentation (si pas déjà installé)
- conduit d'évacuation métallique (si pas déjà installé)

Composants fournis :

- Quatre vis de 7 cm (2-3/4 po)
- Quatre vis de 5,1 cm (2 po)
- Gabarit pour installation de la hotte

AVERTISSEMENT - POUR RÉDUIRE LE RISQUE D'INCENDIE, CHOC ÉLECTRIQUE OU BLESSURE, RESPECTER LES INSTRUCTIONS SUIVANTES :

Tout travail d'installation ou câblage électrique doit être réalisé par une personne qualifiée, dans le respect des prescriptions de tous les codes et normes applicables, y compris les codes du bâtiment et de protection contre les incendies. Le fonctionnement de cet appareil peut modifier la circulation de l'air et affecter le fonctionnement d'un appareil utilisant un combustible. Respecter les directives du fabricant de l'équipement de chauffage et les prescriptions des normes de sécurité - comme celles publiées par la National Fire Protection Association (NFPA) et l'American Society of Heating, Refrigeration and Air Conditioning Engineers (ASHRAE) - et les prescriptions des autorités réglementaires locales.

Lors d'opérations de découpage et de perçage dans un mur ou plafond, veiller à ne pas endommager les câblages électriques ou canalisations qui peuvent s'y trouver.

Le conduit d'évacuation associé à un ventilateur doit toujours décharger l'air à l'extérieur.

AVERTISSEMENT - Pour réduire le risque d'incendie, utiliser uniquement des conduits métalliques.

Cet appareil doit être relié à la terre.

On peut obtenir aux adresses suivantes des exemplaires des normes mentionnées :

*National Fire Protection Association
Batterymarch Park
Quincy, Massachusetts 02269

*CSA International
8501 East Pleasant Valley Rd.
Cleveland, Ohio 44131-5575

Spécifications pour l'installation électrique

Important : Respecter les prescriptions de tous les codes et règlements en vigueur.

C'est au client qu'incombe la responsabilité de :

- **Contacteur un électricien qualifié pour l'installation.**
- **Veiller à ce que l'installation électrique soit réalisée d'une manière adéquate et en conformité avec les prescriptions du Code national des installations électriques ANSI/NFPA 70 - dernière édition*, ou des normes CSA C22.1.94 / Code canadien des installations électriques (partie 1) et C22.2 N° 0-M91 - dernière édition**, et avec les prescriptions de tous les codes et règlements locaux en vigueur.**

Si un conducteur distinct de liaison à la terre est utilisé lorsque le code le permet, on recommande qu'un électricien qualifié vérifie que la liaison à la terre est adéquate.

L'appareil doit être alimenté par un circuit 120 volts, 60 Hz, CA seulement, 15 A, avec un fusible sur chaque conducteur.

Ne pas utiliser une tuyauterie de gaz pour la liaison à la terre.

En cas d'incertitude quant à la qualité de la liaison à la terre de la hotte, consulter un électricien qualifié.

Ne pas installer un fusible en série avec le conducteur neutre ou le conducteur de liaison à la terre.

IMPORTANT :

Conserver les instructions d'installation à l'intention de l'inspecteur local des installations électriques.

La hotte doit être raccordée au réseau électrique uniquement avec des conducteurs de cuivre.

La hotte doit être raccordée directement au coupe-circuit avec fusible ou au disjoncteur par l'intermédiaire de câble à conducteurs de cuivre, à blindage métallique flexible ou à gaine non métallique. Le calibre des conducteurs (CUIVRE SEULEMENT) et les connexions doivent être compatibles avec la demande de courant de l'appareil spécifiée sur la plaque signalétique.

La taille des conducteurs doit satisfaire les prescriptions du Code national des installations électriques ANSI/NFPA 70 - dernière édition*, ou des normes CSA C22.1.94 / Code canadien des installations électriques (partie 1) et C22.2 N° 0-M91 - dernière édition**, et les prescriptions de tous les codes et règlements locaux en vigueur. Un serre-câble (homologation UL ou CSA) doit être installé à chaque extrémité du câble d'alimentation (sur la hotte et sur la boîte de connexion).

Pour modèles avec évacuation :

Spécifications du circuit d'évacuation

Le circuit d'évacuation d'air ne doit pas se terminer dans un grenier ou un autre espace fermé.

Ne pas utiliser une bouche de décharge murale de 10,2 cm (4 po) normalement utilisée pour un équipement de buanderie.

Utiliser uniquement un conduit d'évacuation métallique.

On recommande un conduit métallique rigide. Ne pas utiliser des conduits de plastique ou de feuille métallique.

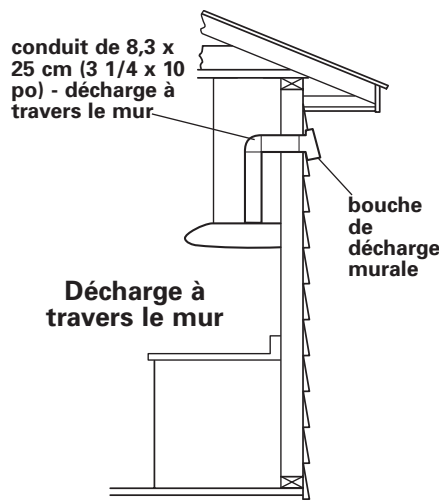
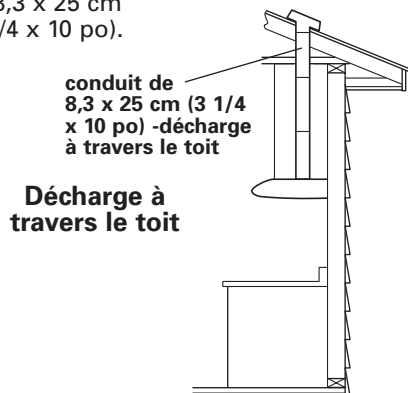
On déconseille l'emploi d'un conduit flexible. Un conduit flexible peut susciter la formation d'une rétropression, ce qui réduit considérablement la performance de la hotte.

- La taille du conduit d'évacuation doit être uniforme.
- Ne pas utiliser plus de trois coudes à 90°.
- S'il y a deux raccords coudés ou plus, veiller à ce qu'il y ait une distance droite d'au moins 61 cm (24 po) entre deux coudes consécutifs.
- Ne pas raccorder deux coudes ensemble.
- Pour maximiser l'efficacité, minimiser la longueur effective totale du circuit d'évacuation et le nombre de coudes.
- Le circuit d'évacuation doit comporter un clapet de réglage. Si la bouche de décharge (sur le toit ou à travers le mur) comporte un clapet, ne pas utiliser le clapet fourni avec la hotte.
- Utiliser du ruban adhésif pour conduit pour assurer l'étanchéité au niveau de chaque jointure du circuit d'évacuation.
- Utiliser un produit de calfeutrage pour assurer l'étanchéité entre la bouche de décharge et le mur ou le toit.

Note : On recommande que le circuit d'évacuation soit installé avant l'installation de la hotte.

Méthodes d'évacuation de l'air

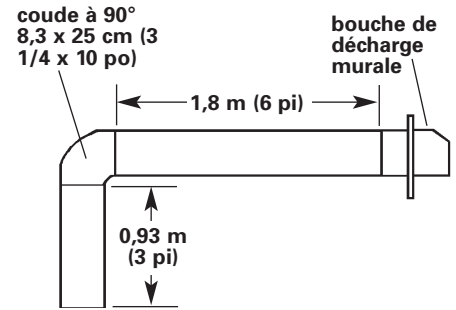
Le circuit d'évacuation nécessaire pour l'installation du système n'est pas inclus. On recommande l'emploi de conduits à section rectangulaire de 8,3 x 25 cm (3 1/4 x 10 po).



Longueur recommandée du circuit d'évacuation

Réaliser un circuit d'évacuation d'une longueur effective maximale de 8 m (26 pi), en conduits de 8,3 x 25 cm (3 1/4 x 10 po). Pour obtenir la meilleure performance, ne pas inclure plus de trois coudes à 90°. Pour calculer la longueur effective du système, déterminer la longueur équivalente en mètres (pieds) de chaque composant du circuit, et calculer le total. Voir l'exemple suivant.

Circuit d'évacuation en conduit de 8,3 x 25 cm (3 1/4 x 10 po)



Longueur maximale = 8 m (26 pi)

1 — coude à 90° = 1,5 m (5 pi)

Section droite = 2,8 m (9 pi)

1 — bouche de décharge murale = 0 m (0 pi)

Longueur effective totale du circuit de 8,3 x 25 cm (3 1/4 x 10 po) = 4,3 m (14 pi)

Raccords standard recommandés

coude à 90° 8,3 x 25 cm (3 1/4 x 10 po) = 1,5 m (5 pi)	
coude plat à 90° 8,3 x 25 cm (3 1/4 x 10 po) = 3,7 m (12 pi)	
bouche de décharge murale 8,3 x 25 cm (3 1/4 x 10 po) = 0 m (0 pi)	

Dimensions du produit

Note : la face inférieure de la hotte doit se trouver à au moins 61 cm (24 po) au-dessus de la surface d'une table de cuisson.

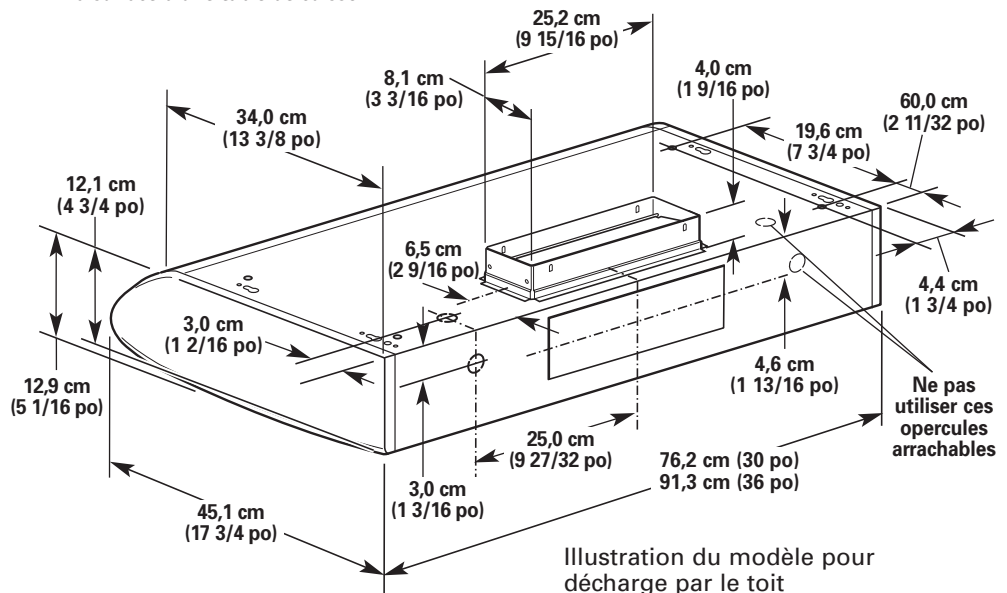


Illustration du modèle pour décharge par le toit

Commencer maintenant

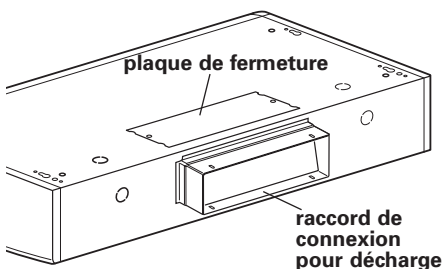
1. Placer un épais matériau protecteur sur la table de cuisson ou la cuisinière pour la protéger contre des dommages ou des débris/souillures.

Dans le cas de l'installation de la hotte au-dessus d'une cuisinière autonome, débrancher et déplacer la cuisinière pour obtenir un meilleur accès au placard mural supérieur et au mur arrière. **Avant de déplacer la cuisinière, placer celle-ci sur une feuille de carton ou un panneau de bois, pour ne pas endommager le revêtement de sol.**

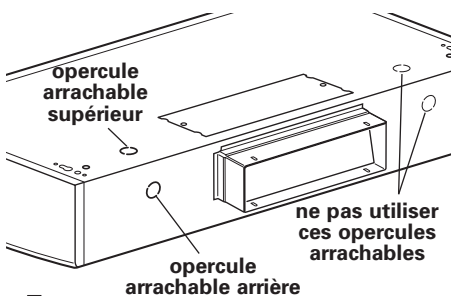
2. Placer la hotte sur un matériau de protection, filtres orientés vers le bas.

3. Choisir la méthode de décharge à employer (décharge par le toit, à travers le mur, ou bien installation avec recyclage de l'air).

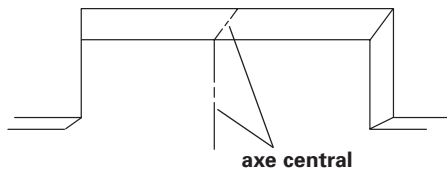
- La hotte est configurée à l'usine pour la décharge à travers le toit.
- Pour l'installation de la hotte avec recyclage, passer à l'étape 4.



Pour la décharge de l'air à travers le mur, ôter la plaque de fermeture à l'arrière de la hotte et le connecteur de décharge fixé au sommet de la hotte. Réinstaller le connecteur de décharge à l'arrière de la hotte, et réinstaller la plaque de fermeture au sommet de la hotte.

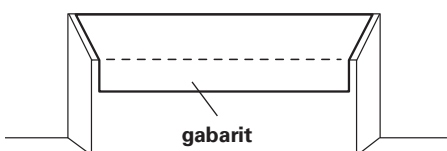


4. Ôter l'opercule arrachable du trou (au sommet ou à l'arrière) qui doit être utilisé pour le passage du câble.



5. Tracer les lignes correspondant à l'axe central sur le mur arrière et sur le fond du placard mural supérieur.

Pour une installation avec recyclage : Prolonger l'axe central tracé jusqu'au soffite au-dessus de la hotte.



6. Aligner la ligne de l'axe central du gabarit avec les lignes tracées sur le mur arrière et sur le fond du placard mural supérieur. Fixer le gabarit en place avec du ruban adhésif. Marquer la position des quatre trous utilisés pour la fixation de la hotte sur le placard mural supérieur.

7. Selon la configuration d'installation, marquer la position du trou de passage du câblage ou de l'ouverture de décharge dans le placard mural supérieur ou sur le mur arrière, selon les indications du gabarit.

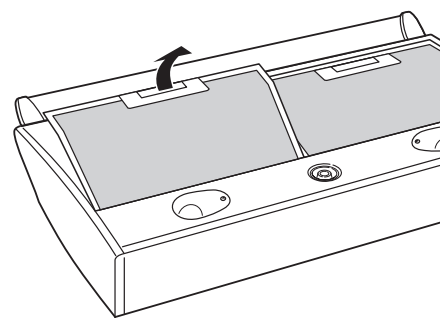
8. Enlever le gabarit.

9. Percer quatre trous de 5 mm (3/16 po) à travers le placard mural supérieur pour les vis de montage de la hotte.

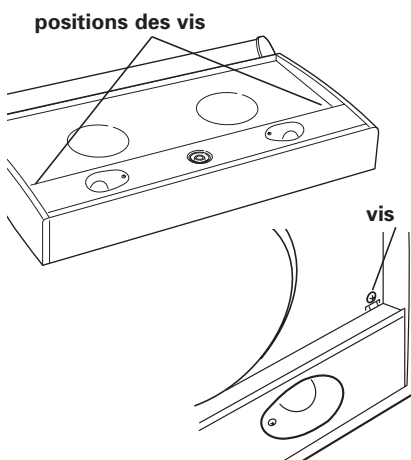
10. Percer le trou de 4 cm (1 1/2 po) pour le passage du câblage.

11. Découper l'ouverture de passage du conduit rectangulaire d'évacuation 8,3 x 25,4 cm (3 1/4 x 10 po). Note : On recommande que le circuit d'évacuation soit installé avant l'installation de la hotte.

12. Retourner la hotte pour placer les filtres vers le haut.

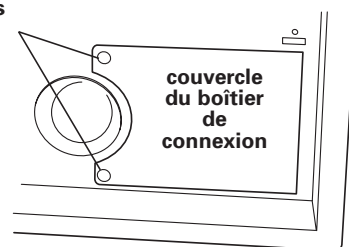


13. Faire pivoter le déflecteur pour l'écarter des filtres. Tirer vers l'arrière la zone de saisie de chaque filtre à graisse pour libérer les onglets de verrouillage. Soulever chaque filtre pour l'extraire de la hotte; conserver le filtre à part.



14. Ôter les deux vis des onglets du diffuseur de lumière. Sur la surface du diffuseur de lumière, directement derrière les onglets, pousser vers l'arrière de la hotte pour dégager les onglets des fentes. Enlever le diffuseur de lumière; conserver le diffuseur et les vis à part.

Ôter les vis

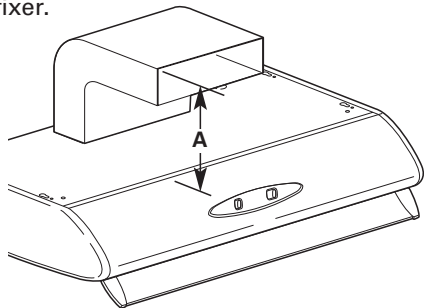


15. Ôter les deux vis du couvercle du boîtier de connexion (angle arrière/à droite) et ôter le couvercle. Installer un serre-câble (homologation U.L. ou CSA) dans le trou de passage de câble.

16. Retourner la hotte pour placer les filtres vers le bas.

17. Installer le clapet dans le raccord de connexion du conduit de décharge. Vérifier que le volet peut pivoter librement. Si la bouche de décharge sur le toit ou la bouche de décharge murale comporte un clapet, NE PAS installer le clapet fourni avec la hotte.

Installations d'une hotte pour recyclage (sans décharge) : Installer la section de conduit de décharge utilisée sur le raccord de connexion de conduit qui serait utilisé pour la décharge à travers le toit, mais sans la fixer.



Mesurer la distance A et reporter cette dimension sur l'axe central du soffite. Tracer/découper l'ouverture de 8,3 x 25,4 cm (3 1/4 x 10 po) dans le soffite.

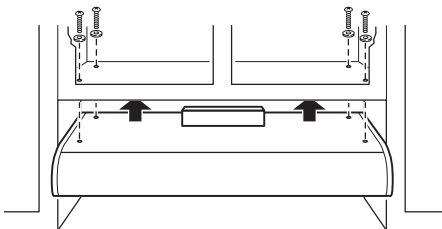
18. La hotte sera fixée sur le fond du placard mural au moyen de quatre vis (avec rondelle) insérées à travers le fond du placard mural (depuis l'intérieur du placard) et dans la hotte.

- Si le fond du placard mural comporte un cadre formant une cavité, utiliser les quatre vis de 7 cm (2 3/4 po) fournies.
- Si le fond du placard ne comporte pas de cadre ou cavité, utiliser les quatre vis de 5,1 cm (2 po) plus courtes, fournies.

⚠ AVERTISSEMENT

Danger - poids excessif
Deux personnes ou plus doivent intervenir pour déplacer et installer la hotte.

Le non-respect de cette instruction peut causer une blessure au dos ou d'autres blessures.



19. Soulever la hotte jusqu'à sa position d'installation, tout en introduisant le câble d'alimentation

dans la boîte de connexion. Introduire une longueur suffisante des conducteurs dans la boîte de connexion pour pouvoir facilement réaliser les connexions, puis serrer le serre-câble. Insérer les quatre vis à travers le fond du placard et dans la hotte. Visser les vis sur la hotte et bien serrer.

20. Raccorder le conduit de décharge.

Installation pour recyclage de l'air : Installer la grille sur le soffite.

Raccordement au circuit électrique

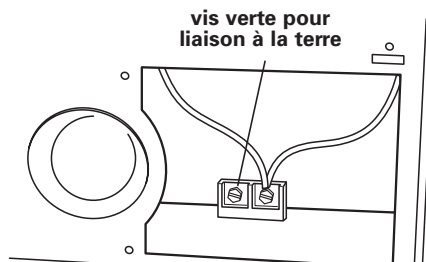
⚠ AVERTISSEMENT



Risque de choc électrique
Interrompre l'alimentation électrique avant d'effectuer des raccordements.

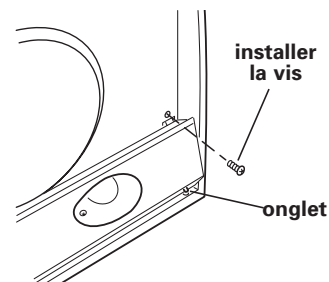
Connecter le conducteur de liaison à la terre avec la vis verte dans la boîte de connexion.

Le non-respect de ces instructions peut provoquer un choc électrique ou un accident mortel.

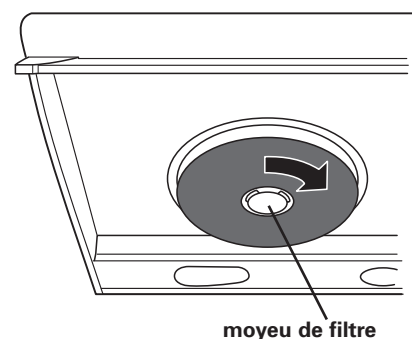


21. Raccorder les conducteurs du câble d'alimentation de la hotte aux conducteurs de même couleur du circuit électrique, avec des connecteurs vissables (blanc-blanc et noir-noir).

Ensuite connecter le conducteur de liaison à la terre à l'intérieur de la boîte de connexion de la hotte, avec la vis verte. Réinstaller le couvercle de la boîte de connexion.



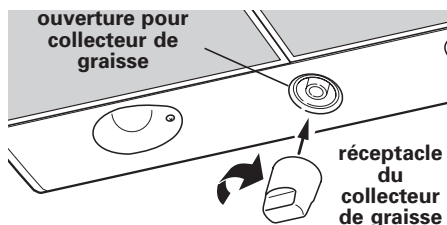
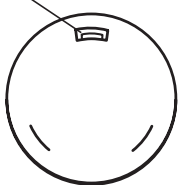
22. Réinstaller le diffuseur de lumière. Insérer les onglets du diffuseur dans leur logement. Pousser à l'arrière du panneau diffuseur de lumière et insérer les petits onglets dans leur logement à l'arrière de la hotte. Réinstaller les deux vis et bien serrer.



23. Installations d'une hotte pour recyclage (sans décharge) : Installer les filtres à charbon. Placer le filtre sur son moyeu dans chaque ouverture de ventilateur, pousser vers le haut et tourner dans le sens horaire pour bloquer le filtre en place.

24. Installer les filtres à graisse (aluminium).

pousser l'onglet vers le centre du cabochon

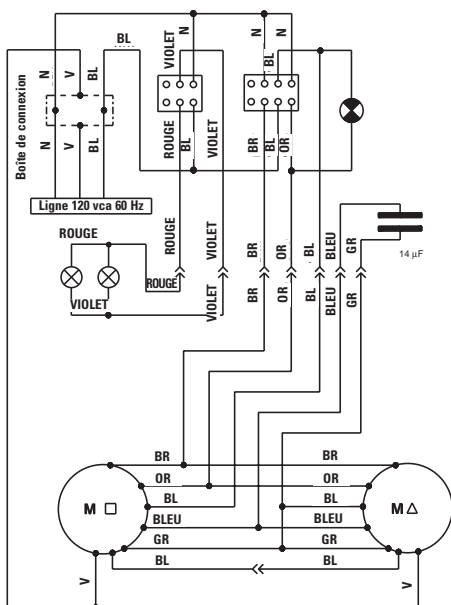


25. Enlever le cabochon de plastique (entre les lampes). Identifier l'onglet dans la grande fente du cabochon. Avec un petit tournevis à lame plate, pousser l'onglet vers le centre du cabochon pour dégager l'onglet. Appuyer sur le cabochon pour dégager les deux autres onglets; jeter le cabochon.

Trouver le réceptacle à graisse dans le sachet de petites pièces; insérer le réceptacle dans l'ouverture (rotation dans le sens horaire).

26. Mettre l'appareil sous tension.

Schémas de câblage



Utilisation et entretien

AVERTISSEMENT - Pour réduire le risque d'incendie ou de choc électrique, ne pas utiliser ce ventilateur en conjonction avec un dispositif de réglage de la vitesse à semi-conducteurs.

AVERTISSEMENT - POUR MINIMISER LE RISQUE D'INCENDIE, CHOC ÉLECTRIQUE OU DOMMAGES CORPORELS, RESPECTER LES INSTRUCTIONS SUIVANTES :

Utiliser cet appareil uniquement de la manière prévue par le fabricant. Pour toute question, contacter le fabricant. Avant d'entreprendre des opérations de réparation ou nettoyage de l'appareil, interrompre l'alimentation électrique au niveau du tableau de distribution et verrouiller le disjoncteur pour empêcher un rétablissement accidentel de l'alimentation. S'il n'est pas possible de verrouiller le disjoncteur ou autre coupe-circuit, veiller à bien fixer sur le tableau de distribution une étiquette proéminente interdisant le rétablissement de l'alimentation.

MISE EN GARDE : Cet appareil est conçu uniquement pour la ventilation générale. Ne pas l'utiliser pour l'extraction de matières ou vapeurs dangereuses ou explosives.

AVERTISSEMENT - POUR MINIMISER LE RISQUE D'UN FEU DE GRAISSE SUR LA TABLE DE CUISSON :

Ne jamais laisser un élément de la table de cuisson fonctionner sans surveillance à la puissance de chauffage maximale; un renversement/débordement de matière grasseuse pourrait provoquer une inflammation et la génération de fumée.

Utiliser toujours une puissance de chauffage moyenne ou basse pour le chauffage d'huile.

Veiller à toujours faire fonctionner le ventilateur de la hotte lors d'une cuisson avec une puissance de chauffage élevée ou lors de la cuisson d'un mets à flamber.

Nettoyer fréquemment les ventilateurs d'extraction. Veiller à ne pas laisser de la graisse s'accumuler sur les surfaces du ventilateur ou des filtres.

Utiliser toujours un ustensile de taille appropriée. Utiliser toujours un ustensile de taille adapté à la taille de l'élément chauffant.

AVERTISSEMENT - POUR RÉDUIRE LE RISQUE DE DOMMAGES CORPORELS APRÈS LE DÉCLENCHEMENT D'UN FEU DE GRAISSE SUR LA CUISINIÈRE, APPLIQUER LES RECOMMANDATIONS SUIVANTES :

Placer sur le récipient un couvercle bien ajusté, une tôle à biscuits ou un plateau métallique **POUR ÉTOUFFER LES FLAMMES**, puis éteindre le brûleur. **VEILLER À ÉVITER LES BRÛLURES.** Si les flammes ne s'éteignent pas immédiatement, **ÉVACUER LA PIÈCE ET CONTACTER LES POMPIERS.**

NE JAMAIS PRENDRE EN MAIN UN RÉCIPIENT ENFLAMMÉ - le risque de brûlure est élevé.

NE PAS UTILISER D'EAU ni un torchon humide - ceci pourrait provoquer une explosion de vapeur brûlante. Utiliser un extincteur **SEULEMENT** si :

Il s'agit d'un extincteur de classe ABC, dont on connaît le fonctionnement.

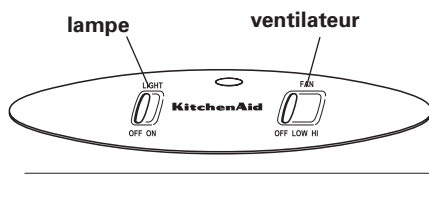
Il s'agit d'un petit feu encore limité à l'endroit où il s'est déclaré.

Les pompiers ont été contactés.

Il est possible de garder le dos orienté vers une sortie pendant l'opération de lutte contre le feu.

Utilisation de la hotte

Pour obtenir les meilleurs résultats, mettre le ventilateur de la hotte en marche avant le début de la cuisson, et laisser le ventilateur fonctionner jusqu'à ce qu'il ait évacué toutes les fumées et odeurs de la pièce.



Commande marche/arrêt du ventilateur : Faire glisser le bouton dans le sens approprié pour commander la mise en marche ou l'arrêt du ventilateur, et pour sélectionner sa vitesse de

fonctionnement. On peut augmenter ou réduire la vitesse du ventilateur à tout moment durant le fonctionnement de la hotte.

Commande marche/arrêt de la lampe :

Faire glisser le bouton dans le sens approprié pour commander l'allumage ou l'extinction de la lampe. On peut allumer/éteindre la lampe à tout moment durant le fonctionnement de la hotte.

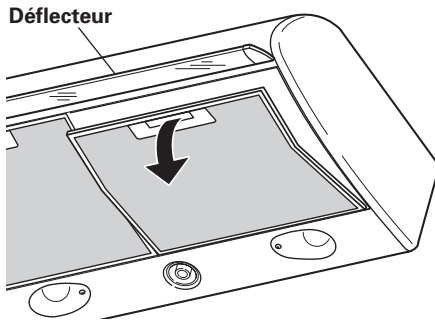
Défecteur : Lorsque l'opération de cuisson doit générer beaucoup de fumée, utiliser le déflecteur. La fonction du déflecteur est de concentrer l'effet d'aspiration produit par la hotte.

Pour déployer le déflecteur, saisir par l'intérieur, et tirer vers le bas. Pour rétracter le déflecteur, pousser vers le haut.

Entretien de la hotte

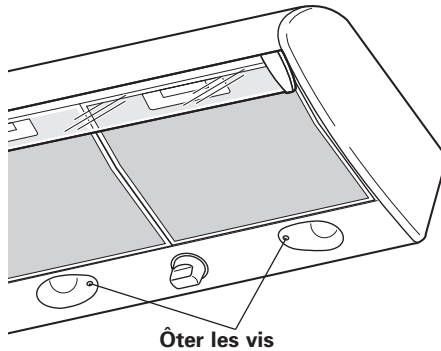
Filtres : Pour obtenir les meilleurs résultats, enlever et nettoyer fréquemment les filtres d'aluminium. On peut nettoyer les filtres dans un lave-vaisselle, ou avec de l'eau savonneuse chaude.

Ne pas laver les filtres à charbon utilisés dans une hotte à recyclage (sans décharge). Pour le remplacement des filtres à charbon, commander les filtres neufs chez un revendeur (ensemble no 4396273)

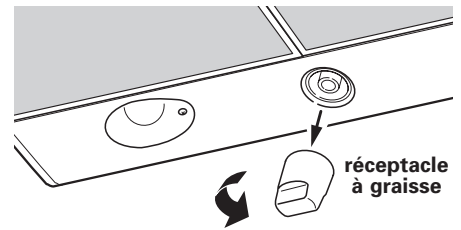


Dépose des filtres : Déployer le déflecteur. Pousser sur la zone de saisie, vers l'arrière de la hotte, et tirer vers le bas.

Réinstallation des filtres : Insérer chaque filtre dans l'arrière de la hotte; pousser vers le haut pour la mise en place tout en poussant vers l'arrière sur la zone de saisie. Lâcher la zone de saisie.



Remplacement des lampes : Utiliser un tournevis Phillips pour ôter la vis fixant le cabochon de la lampe. Enlever la vieille lampe, installer une lampe de 40 W, E17 sfera, 120 volts. Réinstaller le cabochon.



Nettoyage du réceptacle à graisse : Faire pivoter le réceptacle dans le sens antihoraire pour l'enlever. Laver le réceptacle dans de l'eau savonneuse chaude. Faire sécher puis réinsérer le réceptacle (rotation dans le sens horaire).

Surfaces externes : Nettoyer avec un détergent doux et un linge doux. NE PAS employer un produit de nettoyage abrasif ou de la laine d'acier.

Garantie

Garantie de la hotte d'aspiration KitchenAid®

DURÉE DE PÉRIODE DE GARANTIE	KitchenAid PAIERA POUR
GARANTIE LIMITÉE D'UNE ANNÉE À compter de la date d'achat	Pièces et main-d'oeuvre (sauf lampes et filtres) qui comportent des vices de matériau ou de fabrication.
KitchenAid NE PAIERA PAS POUR	
<p>A. Pièces consommables comme lampes et filtres.</p> <p>B. Interventions d'un technicien pour :</p> <ol style="list-style-type: none"> 1. Rectifier l'installation de la hotte. 2. Formation de l'utilisateur. 3. Remplacement des fusibles ou rectification du câblage électrique du domicile. <p>C. Réparations imputables à l'utilisation de la hotte autrement qu'en service unifamilial normal.</p> <p>D. Ramassage et livraison du produit. Ce produit est conçu pour être réparé sur place.</p> <p>E. Détérioration de la hotte imputable à accidents, usage impropre, incendie, inondation, catastrophe naturelle ou utilisation de produits non approuvés par KitchenAid.</p>	

KITCHENAID ET KITCHENAID CANADA DÉCLINENT TOUTE RESPONSABILITÉ AU TITRE DE DOMMAGES SECONDAIRES OU INDIRECTS. Certaines provinces n'admettent pas l'exclusion ou la limitation des dommages secondaires ou indirects; par conséquent, cette limitation ou exclusion peut ne pas vous être applicable.

Cette garantie vous confère des droits juridiques spécifiques; vous pouvez également jouir d'autres droits variables d'une province à une autre.

Hors des États-Unis et du Canada, une garantie différente peut être applicable. Pour les détails, consulter le revendeur local agréé par KitchenAid.

Si vous avez besoin de service, voir la section « Demande d'assistance ou de service » ou téléphoner à notre Centre d'interaction avec la clientèle KitchenAid sans frais d'interurbain de partout aux É.-U. ou au Canada.

Demande d'assistance ou de service

Si vous avez besoin d'assistance ou de service aux É.-U.

Téléphoner au Centre d'interaction avec la clientèle KitchenAid sans frais d'interurbain au 1-800-235-0665.

Nos consultants sont disponibles pour vous aider.



Lors de votre appel, veuillez connaître la date d'achat et les numéros au complet de modèle et de série de votre appareil. Ces renseignements nous aideront à mieux répondre à votre demande.

Nos consultants fournissent de l'assistance pour :

- Caractéristiques et spécifications de notre gamme complète d'appareils électroménagers
- Renseignements concernant l'installation
- Procédés d'utilisation et d'entretien
- Vente d'accessoires et de pièces de rechange
- Assistance spécialisée aux clients (langue espagnole, malentendants, malvoyants, etc.)
- Les références aux marchands, compagnies de service de réparation, et distributeurs de pièces de rechange locaux.

Les techniciens de service désignés par KitchenAid sont formés pour exécuter les travaux sous garantie sur les produits et pour dispenser les services nécessaires après l'expiration de la garantie, partout aux É.-U.

Pour localiser la compagnie de service désignée par KitchenAid dans votre région, vous pouvez consulter les Pages jaunes de votre annuaire de téléphone.

Si vous avez besoin de pièces de rechange

Si vous avez besoin de commander des pièces de rechange, nous vous recommandons d'utiliser seulement des pièces autorisées par l'usine. Ces pièces conviendront et fonctionneront bien parce qu'elles sont fabriquées selon les mêmes

spécifications précises utilisées pour construire chaque nouvel appareil KitchenAid®.

Pour localiser des pièces autorisées par l'usine dans votre région, téléphonez à notre Centre d'interaction avec la clientèle, votre Centre de service autorisé le plus proche, ou le service de l'usine KitchenAid en composant le 1-800-442-1111.

Pour plus d'assistance

Si vous avez besoin de plus d'assistance, vous pouvez écrire en soumettant toute question ou problème à :

KitchenAid Brand Home Appliances
Customer Interaction Center
C/o Correspondence Dept.
2000 North M-63
Benton Harbor, MI 49022-2692

Veuillez indiquer dans votre correspondance un numéro de téléphone où l'on peut vous joindre dans la journée.

Demande d'assistance ou de service

Si vous avez besoin d'assistance ou de service au Canada

- 1. Téléphoner au Centre d'interaction avec la clientèle KitchenAid sans frais d'interurbain entre 8 h 30 et 18 h 00 (HNE) au 1-800-235-0665...**



ou communiquer avec le marchand chez qui vous avez acheté votre appareil électroménager.

- 2. Si vous avez besoin de service †**
Communiquer avec votre succursale ou établissement de service autorisé de KitchenAid Canada la plus proche pour l'entretien de votre appareil. (Voir liste ci-dessous.)

S'assurer que la compagnie de service que vous contactez est désignée pour réparer votre appareil durant la période de garantie.

†Lorsque vous demandez de l'assistance ou un service, veuillez fournir une description détaillée du problème, les numéros complets du modèle et de série de l'appareil, et la date d'achat. (Voir la section « Note à l'intention de l'utilisateur. ») Ces renseignements nous aideront à mieux répondre à votre demande.

SERVICE D'APPAREILS MÉNAGERS KITCHENAID CANADA - SERVICE AUX CONSOMMATEURS

Succursales de service direct :

COLOMBIE-BRITANNIQUE

1-800-665-6788

ALBERTA

1-800-661-6291

ONTARIO

Région d'Ottawa

1-800-267-3456

(à l'exception du code régional 807)

En dehors de la région d'Ottawa

1-800-807-6777

MANITOBA, SASKATCHEWAN

1-800-665-1683

et code régional 807 en ONTARIO

QUÉBEC

Montréal (à l'exception de la rive sud)

1-800-361-3032

Rive Sud Montréal

1-800-361-0950

Québec

1-800-463-1523

Sherbrooke

1-800-567-6966

PROVINCES DE L'ATLANTIQUE

1-800-565-1598

Pour plus d'assistance

Si vous avez besoin de plus d'assistance, vous pouvez écrire à KitchenAid Canada en soumettant toute question ou préoccupation au :
Service des relations avec la clientèle
KitchenAid Canada
1901 Minnesota Court
Mississauga, Ontario L5N 3A7

Veuillez indiquer dans votre correspondance un numéro de téléphone où l'on peut vous joindre durant la journée.

Pièce n° 4329145 04-260500/8284977

® Marque de commerce ou marque de commerce déposée de KitchenAid, U.S.A.,
utilisation sous licence au Canada par KitchenAid Canada