

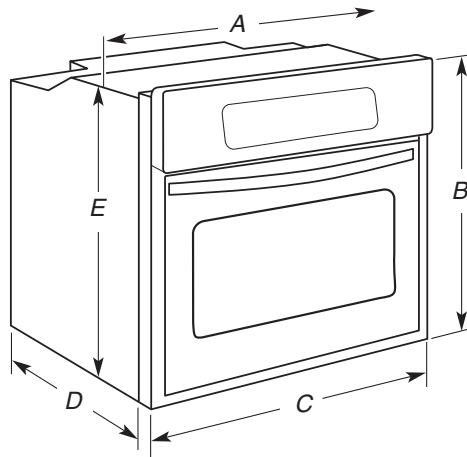
KitchenAid® 36" (91.4 cm) Built-in Single Oven

PRODUCT MODEL SERIES

KEBC167M
KEBC167V

Electrical: A four-wire or three-wire, single phase, 240-volt, 60-Hz, AC-only electrical supply is required on a separate, 30-ampere circuit, fused on both sides of the line. Use minimum 8 gauge copper wire only. A time-delay fuse or circuit breaker is recommended. A U.L.-listed conduit connector must be provided at the junction box.

PRODUCT DIMENSIONS



- A. 34³/₈" (87.3 cm) max. recessed width
- B. 29" (73.7 cm) max. overall height
- C. 35³/₄" (90.8 cm) overall width
- D. 23" (58.4 cm) max. recessed depth
- E. 27¹/₂" (69.9 cm) recessed height

CABINET OPENING DIMENSIONS

