

KitchenAid® Electric Built-in Cooktop

PRODUCT MODEL NUMBERS

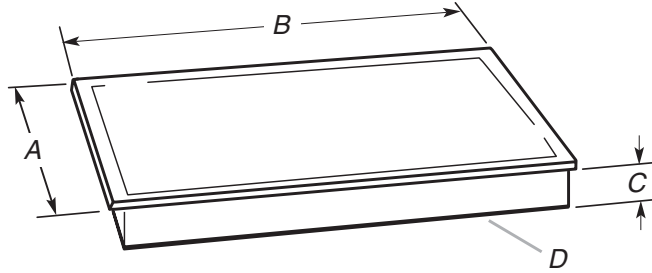
KICU508S KICU568S

Electrical: A 4-wire or 3-wire, single phase, 240 volt, 60 Hz., AC only electrical supply is required on a separate, 50-amp circuit [36" (91.4 cm) models] or 40-amp circuit [30" (76.2 cm) models], fused on both sides of the line.

The cooktop should be connected directly to the junction box through flexible, armored or nonmetallic sheathed, copper cable. The flexible, armored cable extending from the fuse box or circuit breaker box should be connected directly to the junction box.

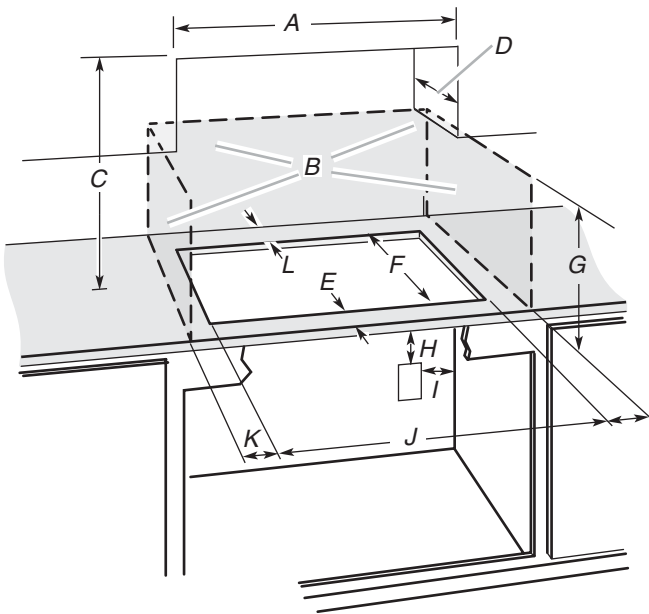
Locate the junction box to allow as much slack as possible between the junction box and the cooktop so that the cooktop can be moved if servicing becomes necessary in the future.

OVERALL DIMENSIONS



- A. 21-9/16" (54.6 cm)
- B. 31" (78.7 cm) on 30" (76.2 cm) models
37" (94 cm) on 36" (91.4 cm) models
- C. 3-3/32" (7.9 cm)
- D. Model/serial rating plate (located on underside of cooktop base in the right front corner)

CABINET DIMENSIONS



- A. 30" (76.2 cm) on 30" (76.2 cm) models
36" (91.4 cm) on 36" (91.4 cm) models
- B. Combustible area above countertop (shown by dashed box)
- C. 30" (76.2 cm) minimum clearance between top of cooktop platform and bottom of unprotected wood or metal cabinet (24" [61 cm] minimum clearance if bottom of wood or metal cabinet is protected by not less than 1/4" [0.6 cm] flame retardant millboard covered with not less than No. 28 MSG sheet steel, 0.015" [0.04 cm] stainless steel, or 0.024" [0.06 cm] aluminum or 0.020" [0.05 cm] copper)
- D. 13" (33 cm) recommended upper cabinet depth
- E. 2" (5.1 cm)
- F. 20-1/2" (52 cm)
- G. 18" (45.7 cm) minimum clearance from upper cabinet to countertop within minimum horizontal clearances to cooktop
- H. Junction box or outlet; 12" (30.5 cm) minimum from bottom of countertop
- I. Junction box or outlet; 10" (25.4 cm) from right-hand side of cabinet
- J. 29-1/2" (74.9 cm) on 30" (76.2 cm) models
35-1/2" (90.2 cm) on 36" (91.4 cm) models
- K. 1" (2.5 cm) minimum distance to nearest left and right side combustible surface above cooktop
- L. 1" (2.5 cm) minimum clearance between back wall and countertop