

KitchenAid® Gas Built-in Cooktop

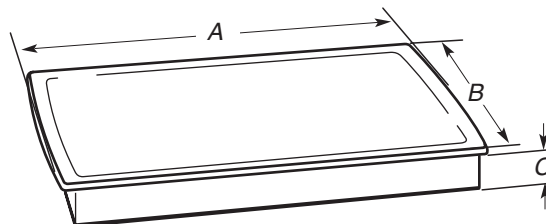
PRODUCT MODEL NUMBERS

KFGS306V KFGU706V
KFGS366V KFGU766V

Gas Supply: This cooktop is factory set for use with Natural gas. Cooktop can be converted to LP gas. Provide a gas supply line of $\frac{3}{4}$ " (1.9 cm) rigid pipe to the cooktop location. A smaller size pipe on longer runs may result in insufficient gas supply. Pipe-joint compounds that resist the action of LP gas must be used. Do not use TEFLON® tape. With LP gas, piping or tubing size can be $\frac{1}{2}$ " minimum. Usually, LP gas suppliers determine the size and materials used in the system.

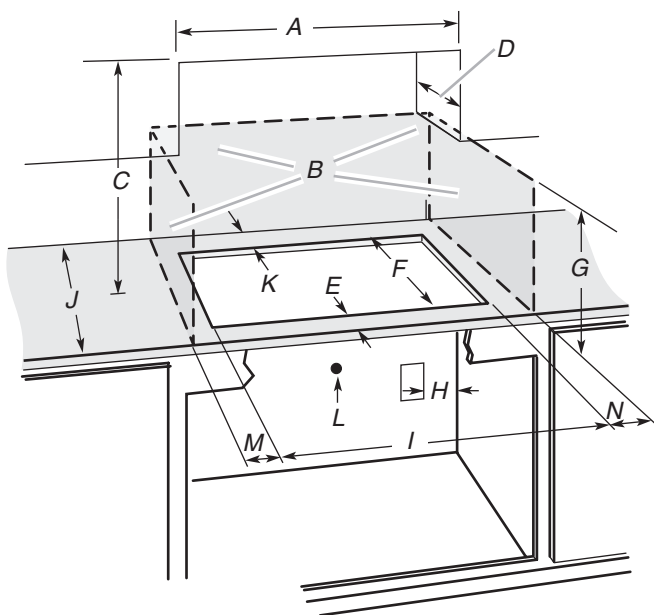
Electrical: A 120 volt, 60 Hz., AC only, 15-amp fused, electrical circuit is required. A time-delay fuse or circuit breaker is also recommended. It is recommended that a separate circuit serving only this cooktop be provided.

OVERALL DIMENSIONS



- A. $30\frac{3}{16}$ " (76.7 cm) on 30" (76.2 cm) models, $36\frac{1}{4}$ " (92.0 cm) on 36" (91.4 cm) models
- B. 21" (53.3 cm)
- C. $3\frac{1}{4}$ " (8.3 cm)

CABINET OPENING DIMENSIONS



- A. 30" (76.2 cm) on 30" (76.2 cm) models; 36" (91.4 cm) on 36" (91.4 cm) models
 - B. Combustible area above countertop (shown by dashed box above)
 - C. 30" (76.2 cm) minimum clearance between top of cooktop platform and bottom of unprotected wood or metal cabinet (24" [61.0 cm] minimum clearance if bottom of wood or metal cabinet is protected by not less than $\frac{1}{4}$ " [0.6 cm] flame retardant millboard covered with not less than No. 28 MSG sheet steel, 0.015" [0.04 cm] stainless steel, or 0.024" [0.06 cm] aluminum or 0.020" [0.05 cm] copper). If installing a range hood see NOTES.*
 - D. 13" (33.0 cm) recommended upper cabinet depth
 - E. $1\frac{1}{8}$ " (2.8 cm)
 - F. 20" (50.8 cm)
 - G. 18" (45.7 cm) minimum clearance from upper cabinet to countertop within minimum horizontal clearances to cooktop
 - H. Grounded outlet - Locate within 24" (61.0 cm) of right rear corner of cutout
 - I. 29" (73.7 cm) on 30" (76.2 cm) models; $35\frac{1}{4}$ " (89.5 cm) on 36" (91.4 cm) models
 - J. 24" (61.0 cm) minimum countertop depth is required
 - K. $2\frac{7}{8}$ " (7.3 cm) minimum distance to rear combustible surface
 - L. Gas line opening - Wall: anywhere 5" (12.7 cm) below underside of countertop. Cabinet floor: anywhere within 6" (15.2 cm) of rear wall is recommended
 - M. 8" (20.3 cm) minimum distance to nearest left side combustible surface.**
 - N. 8" (20.3 cm) minimum distance to nearest right side combustible surface.**
- 30" (76.2 cm) Cooktop Overall:** M + N must equal 48" (122.0 cm) minimum + 29" (73.7 cm) cutout for cooktop or 77" (195.6 cm)
- 36" (91.4 cm) Cooktop Overall:** M + N must equal 48" (122.0 cm) minimum + $35\frac{1}{4}$ " (89.5 cm) cutout for cooktop or $83\frac{3}{4}$ " (211.5 cm)
- **M + N combined must be at least 48" (122.0 cm) minimum overall
- Example 1: M = 8" (20.3 cm) left side + N = 40" (101.6 cm) right side = 48" (122.0 cm)
- Example 2: M = 24" (61.0 cm) left side + N = 24" (61.0 cm) right side = 48" (122.0 cm)