

# Viking Use/Installation Guide



Viking Range Corporation

111 Front Street

Greenwood, Mississippi 38930 USA

(662) 455-1200

For product information,

call 1-888-VIKING1 (845-4641)

or visit the Viking Web site at

[vikingrange.com](http://vikingrange.com)

Outdoor Refreshment Center

## IMPORTANT - PLEASE READ AND FOLLOW

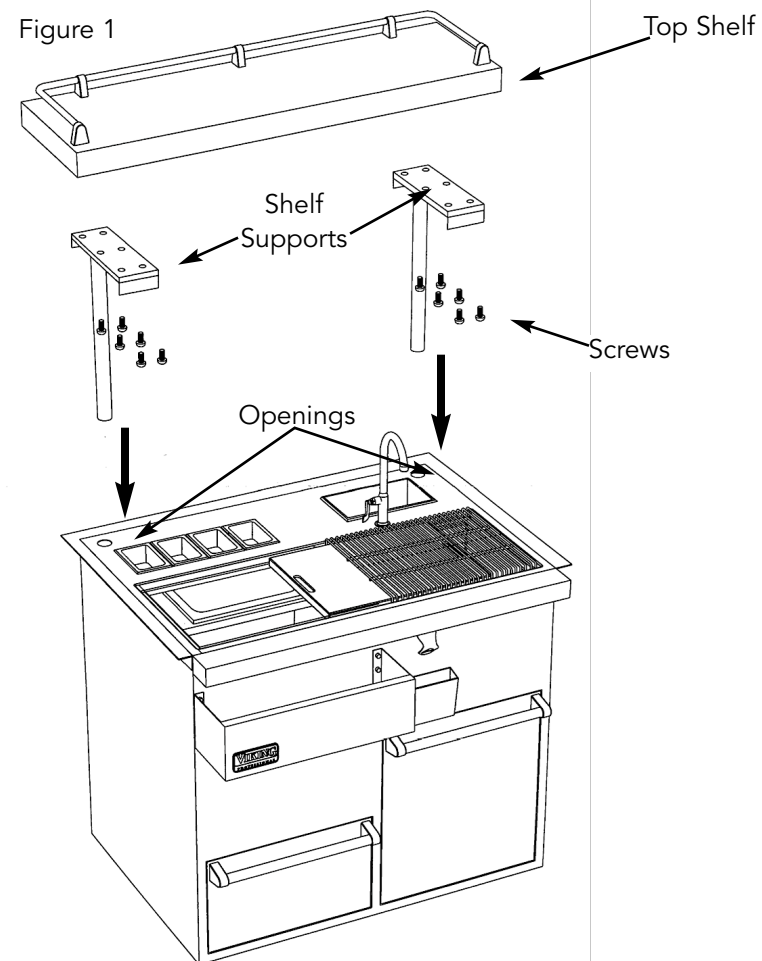
- Before beginning, please read these instructions completely and carefully.
- Do not remove permanently affixed labels, warnings, or plates from the product. This may void the warranty.
- The installer should leave these instructions with the consumer for future reference.

## GENERAL INFORMATION

- This unit is self-contained with a removable water waste collection container. If using a water hose connection, it is recommended that a hose made of a USFDA approved material for food contact be used. These can be easily purchased at any marine or camper supply store. Also, the consumer has the option of hard plumbing if desired. See "Optional Instructions for Hard Plumbing Installation".
- NOTE: Some illustrations were drawn before final assembly. Subtle differences may occur.

## UNPACKING/TOP ASSEMBLY INSTRUCTIONS

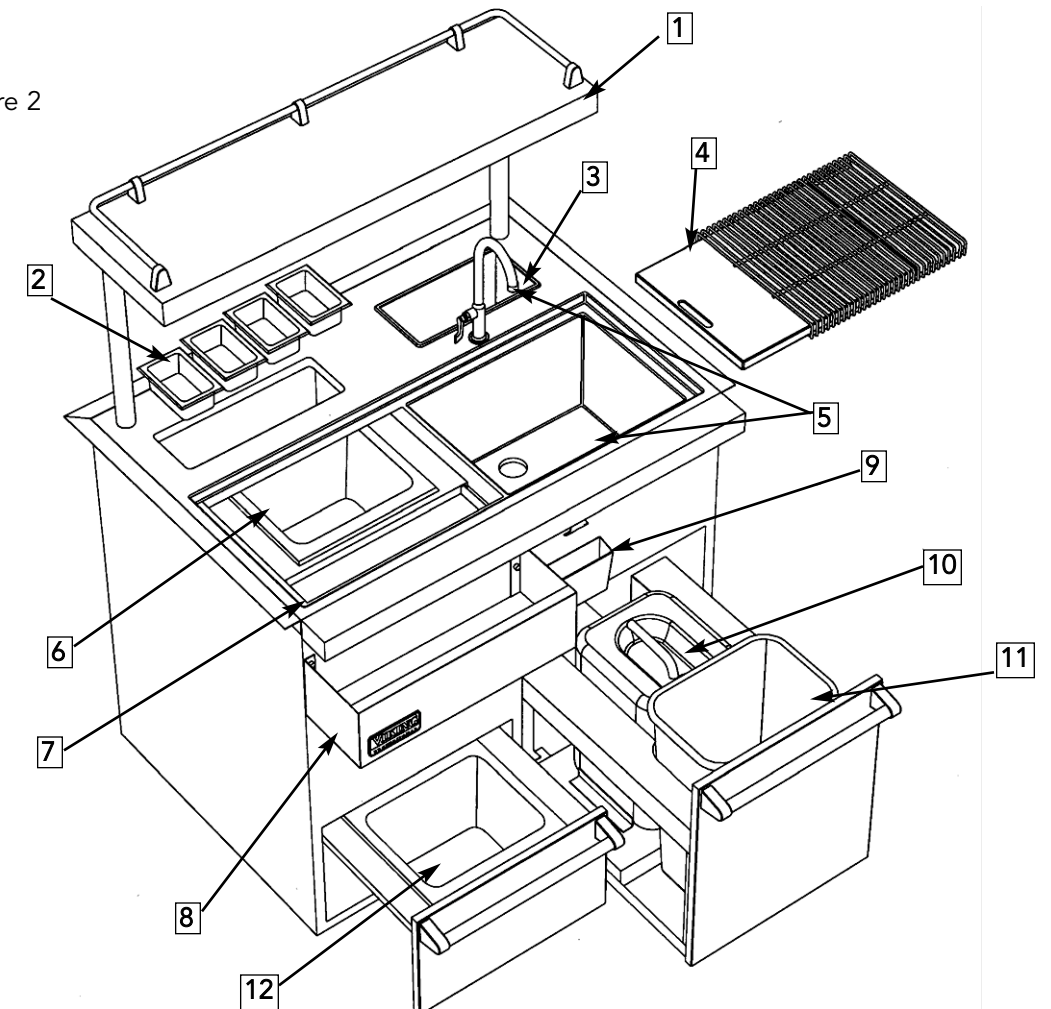
1. Remove all components from packaging.
2. Refer to Figure 1 below for reference.
3. First install each shelf support into openings on top of the main unit. Make sure each shelf support slides all the way to the bottom when installing in the openings.
4. Take the top shelf and place over the installed shelf supports.
5. Line up the appropriate screw holes. Tighten screws until snug.



## FEATURES OF YOUR OUTDOOR REFRESHMENT CENTER (Refer to Figure 2)

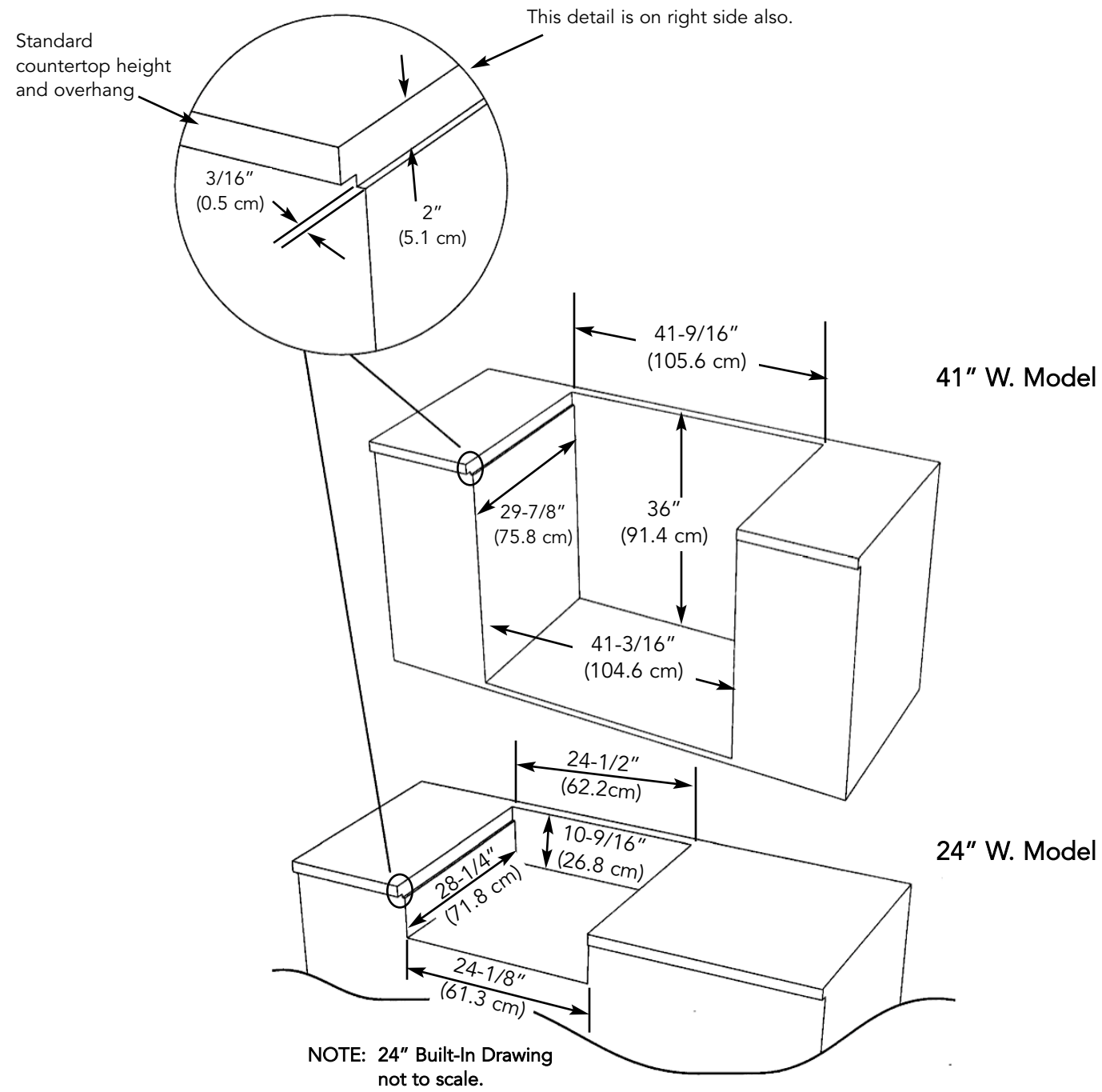
- (1) **Top Shelf** - Ideal location to store various shape glasses. The guard rail ensures they will not fall off the back side.
- (2) **Condiment Bins** - Four shallow bins to hold various condiments. Bins clean easily in the dishwasher.
- (3) **Additional Drink Mix Bin** - Another bin to possibly hold or "ice" your juice mix, wine bottles, creams, 2 liter drinks, etc.
- (4) **Cutting Board and Wire Grate** - These two components slide within each other so you can have access to the sink or bottle bath at any time.
- (5) **Sink and Faucet** - Install water line according to local plumbing codes. If using a water hose connection, it is recommended that a hose made of a USFDA material for food contact be used. These are easily purchased at any marine or camper supply store. Sink can be plugged and used for additional bottle bath.
- (6) **Fresh Ice Supply** - Holds clean ice for drinks. Slides toward back of unit for access to bottle bath. Can be removed for easy cleaning.
- (7) **Bottle Bath** - Can be plugged. This area is used to store bottles, cans, etc. on ice. To use, lay down a layer of ice, followed by drinks, followed by another layer of ice.
- (8) **Speed Rail** - Holds five standard size liquor bottles.
- (9) **Cap Catch** - Catches bottle caps
- (10) **Waste Water Collection Container** - Container that catches waste water from sink. This container must be positioned so that the hole of the container is towards the front of the unit. It is recommended to clean container after each use. In order to remove the collection container, you must first remove the waste basket. After cleaning, install the container so that it is placed firmly against the back "L" bracket on the base of the floor. If installed properly, the sink drain will line up directly over the hole.
- (11) **Waste Basket** - The waste basket is located off the shelf. It is recommended to use trash bags for easy removal of trash.
- (12) **Storage Bin** - The storage bin is the same bin dimension as the fresh ice bin. It can also be removed for easy cleanup.

Figure 2

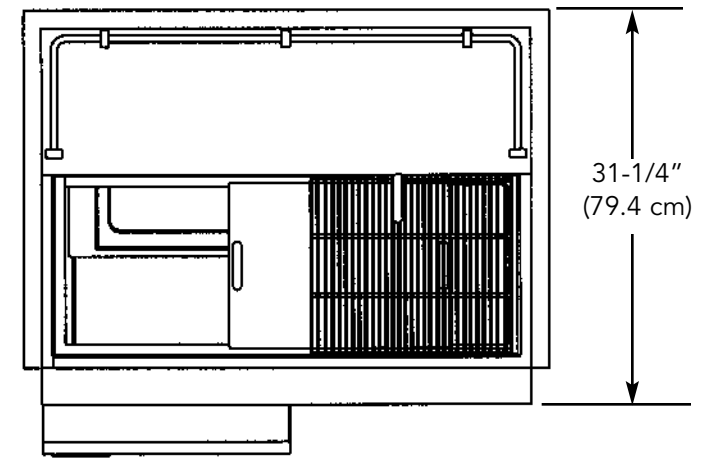


# CUTOUT DIMENSIONS

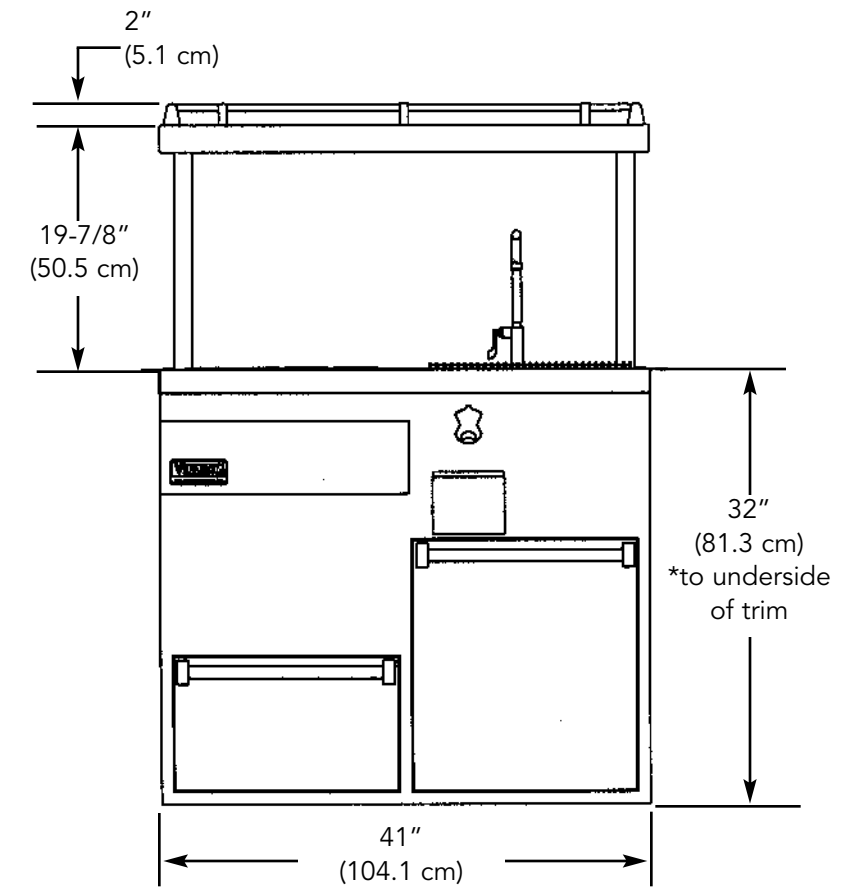
41" and 24" W. Models



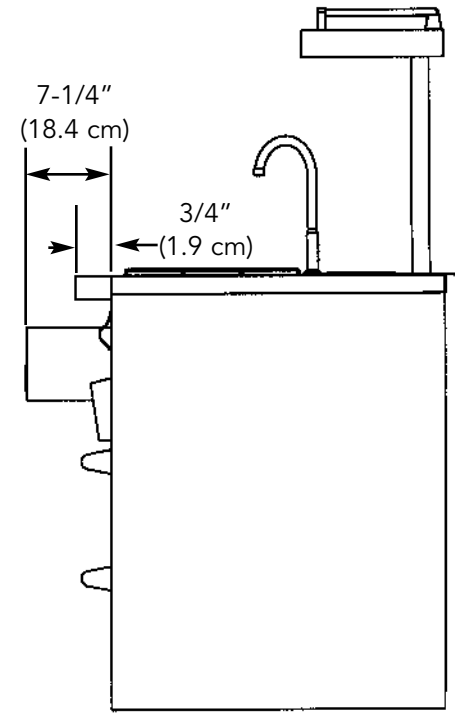
41" W. Model  
Top Dimensions



41" W. Model  
Front Dimensions



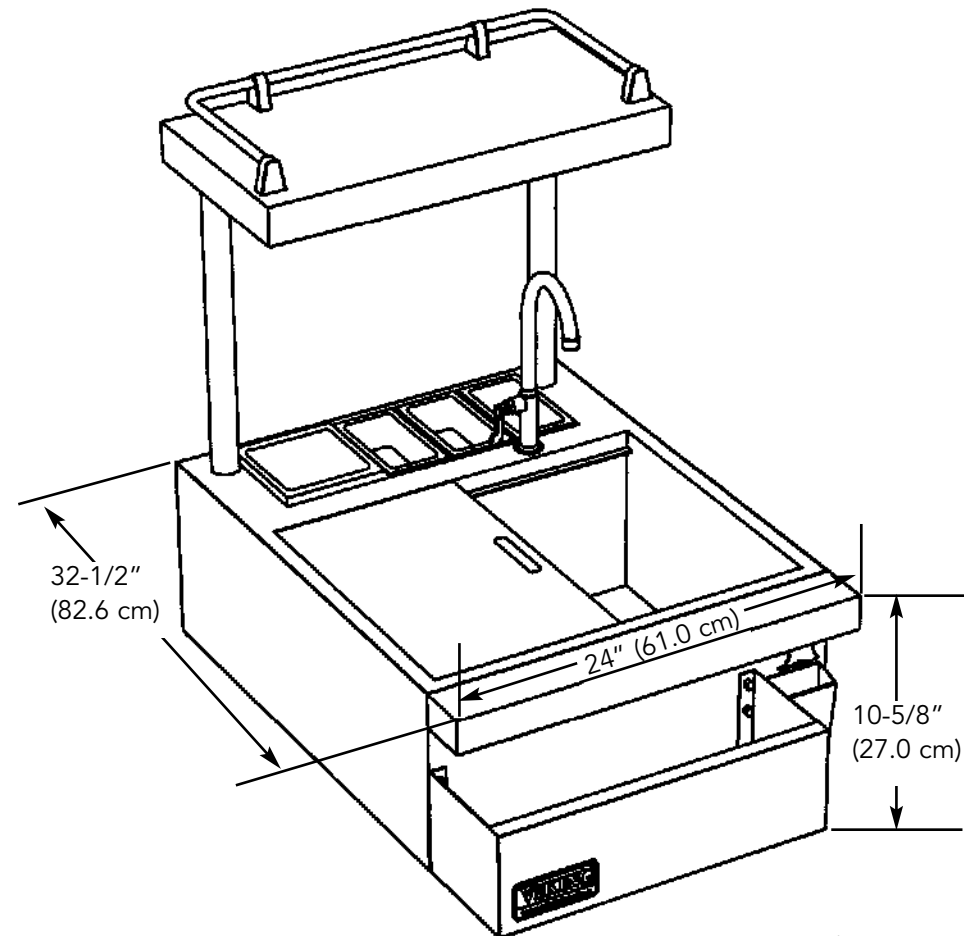
41" W. Model  
Side Dimensions



**BASIC SPECIFICATIONS**

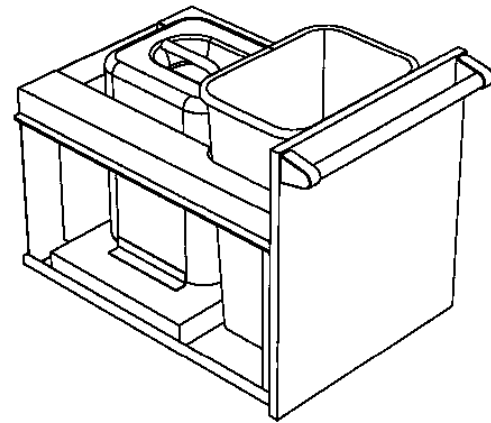
| DESCRIPTION                               | VBRC241  | VBRC411SS                     | VPRC410SS                        |
|---|--|-------------------------------|----------------------------------|
| Overall Width                             | 24" (61.0 cm)                                  | 41" (104.1 cm)                | 41" (104.1 cm)                   |
| Overall Depth<br>To end of landing ledge  | 32-1/2" (82.5 cm)                              | 31-1/4" (79.4 cm)             | 31-1/4" (79.4 cm)                |
| Overall Height<br>To top of landing ledge | 10-5/8" (27.0 cm)                              | 36" (91.4 cm) incl. legs      | 36" (91.4 cm) incl. casters      |
| To high shelf                             | 30-1/2" (77.5 cm)                              | 55-7/8" (141.9 cm) incl. legs | 55-7/8" (141.9 cm) incl. casters |
| Cutout Width                              | 24-1/2" (62.2 cm) upper<br>24" (61.0 cm) lower | 41-9/16" (105.6 cm)           | N/A                              |
| Cutout Depth                              | 28-3/8" (72.1 cm)                              | 29-7/8" (75.8 cm)             | N/A                              |
| Cutout Height                             | 10-9/16" (26.8 cm)                             | 36" (91.4 cm) incl. legs      | N/A                              |
| Approximate Shipping Weight               | 82 lb. (36.9kg)                                | 305 lb. (137.3 kg)            | 317 (142 kg)                     |

24" W. Model Dimensions

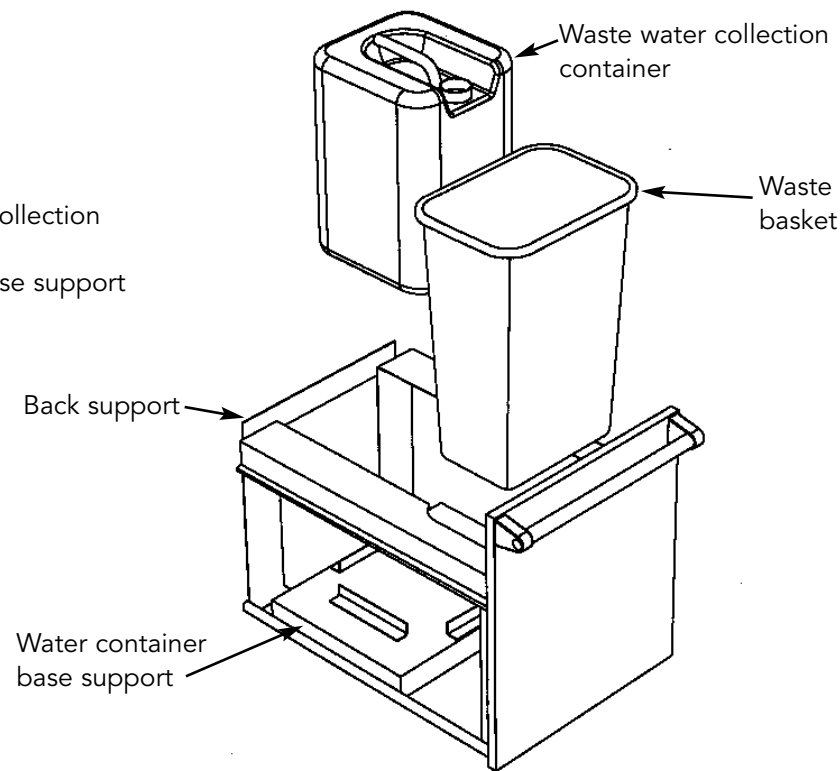


## OPTIONAL HARD PLUMBING

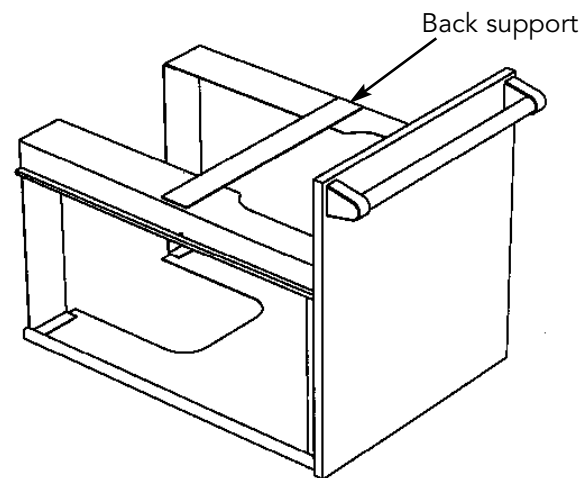
1. Current Assembly of water collection drawer



2. Remove waste basket and waste water collection container. Unscrew back support piece. Unscrew and remove water container base support



3. Align appropriate holes and attach back support across the top of the drawer. Install plumbing according to local codes.



## PROFESSIONAL SERIES OUTDOOR REFRESHMENT CENTER WARRANTY

### ONE YEAR FULL WARRANTY

Outdoor refreshment centers and all of their component parts, except as detailed below\*, are warranted to be free from defective materials or workmanship in normal household use for a period of twelve (12) months from the date of original retail purchase. Viking Range Corporation, warrantor, agrees to repair or replace, at its option, any part which fails or is found to be defective during the warranty period.

\*Decorative items are warranted to be free from defective materials or workmanship for a period of ninety (90) days from the date of original retail purchase. ANY DEFECTS MUST BE REPORTED TO THE SELLING DEALER WITHIN NINETY (90) DAYS FROM DATE OF ORIGINAL RETAIL PURCHASE.

### LIFETIME LIMITED WARRANTY

Any stainless steel part which **rusts** through due to defective materials or workmanship in normal household use during the second through the useful lifetime of the grill from the date of original retail purchase will be repaired or replaced, free of charge for the part itself, with the owner paying all other costs, including labor.

This warranty extends to the original purchaser of the product warranted hereunder and to each transferee owner of the product during the term of the warranty.

This warranty shall apply to products purchased and located in the United States and Canada. Products must be purchased in the country where service is requested. Warranty labor shall be performed by an authorized Viking Range Corporation service agency or representative. Warranty shall not apply to damage resulting from abuse, accident, natural disaster, loss of electrical power to the product for any reason, alteration, outdoor use, improper installation, improper operation, or repair or service of the product by anyone other than an authorized Viking Range Corporation service agency or representative. This warranty does not apply to commercial usage. Warrantor is not responsible for consequential or incidental damage whether arising out of breach of warranty, breach of contract, or otherwise. Some jurisdictions do not allow the exclusion or limitation of incidental or consequential damages, so the above limitation or exclusion may not apply to you.

Owner shall be responsible for proper installation, providing normal care and maintenance, providing proof of purchase upon request, and making the appliance reasonably accessible for service. If the product or one of its component parts contains a defect or malfunction during the warranty period, after a reasonable number of attempts by the warrantor to remedy the defects or malfunctions, the owner is entitled to either a refund or replacement of the product or its component part or parts. Warrantor's liability on any claim of any kind, with respect to the goods or services covered hereunder, shall in no case exceed the price of the goods or service or part thereof which gives rise to the claim.

**WARRANTY SERVICE:** Under the terms of this warranty, service must be performed by a factory authorized Viking Range Corporation service agent or representative. Service will be provided during normal business hours, and labor performed at overtime or premium rates shall not be covered by this warranty. To obtain warranty service, contact the dealer from whom the product was purchased, an authorized Viking Range Corporation service agent, or Viking Range Corporation. Provide model and serial number and date of original purchase. For the name of your nearest authorized Viking Range Corporation service agency, call the dealer from whom the product was purchased or Viking Range Corporation. **IMPORTANT:** Retain proof of original purchase to establish warranty period.

The return of the Owner Registration Card is not a condition of warranty coverage. You should, however, return the Owner Registration Card so that Viking Range Corporation can contact you should any question of safety arise which could affect you.

Any implied warranties of merchantability and fitness applicable to the above described stainless steel parts are limited in duration to the period of coverage of the applicable express written limited warranties set forth above. Some jurisdictions do not allow limitations on how long an implied warranty lasts, so the above limitation may not apply to you. This warranty gives you specific legal rights, and you may also have other rights which may vary from jurisdiction to jurisdiction.

Specifications subject to change without notice.

