



REFRIGERATION

Undercounter/Freestanding 24"W. Refrigerated Drawer



★ Please see
Installation Notes &
Accessories
for important
information,
including pan sets
and dividers.

Dimensions & Specifications

PRODUCT DIMENSIONS



VURD140D
Professional

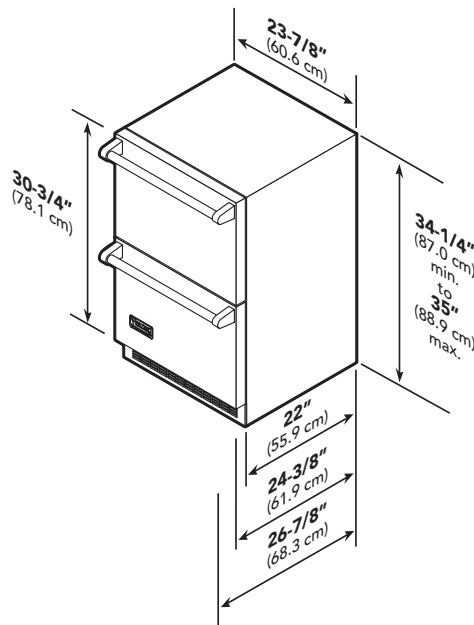


DURD140D
Designer

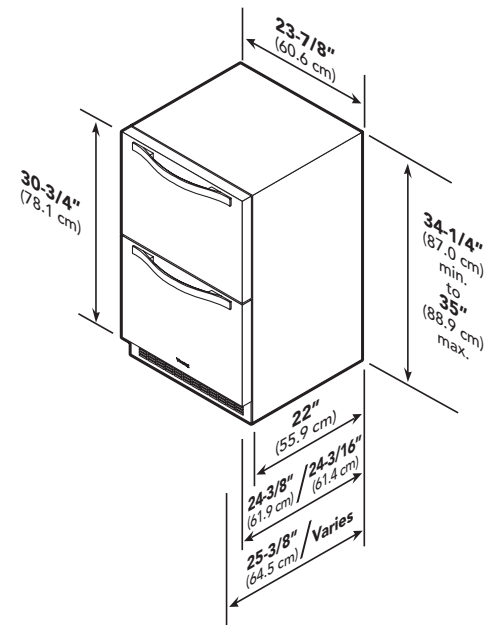


DFRD140D
Custom Front

See Custom Panels for more
information and additional
specifications.



PROFESSIONAL



**DESIGNER/
CUSTOM FRONT**

	VURD140D	DURD140D	DFRD140D
Overall width		23-7/8" (60.6 cm)	
Overall height		34-1/4" (87.0 cm) min. to 35" (88.9 cm) max.	
Overall depth (from rear)			
To front edge of lower vent		22" (55.9 cm)	
To front edge of door	24-3/8" (61.9 cm)	24-3/8" (61.9 cm)	Varies
To front edge of handle	26-7/8" (68.3 cm)	25-3/8" (64.5 cm)	
With drawer fully extended		47-1/4" (120.0 cm)	
Approx. ship wt.		180 lbs. (81.8 kg)	





REFRIGERATION

Undercounter/Freestanding 24"W. Refrigerated Drawer



Dimensions & Specifications

DRAWER EXTENSION



VURD140D
Professional

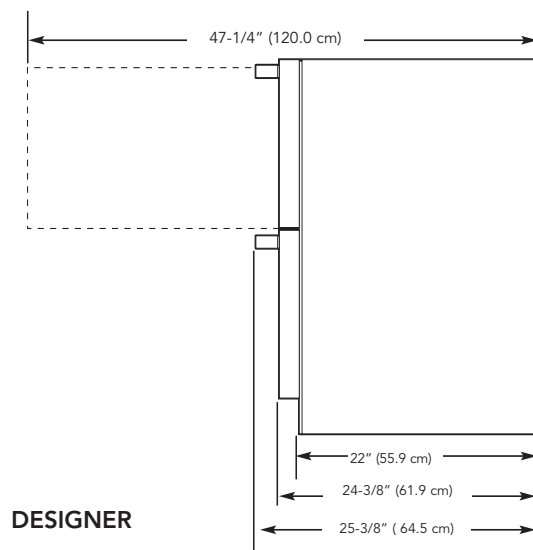
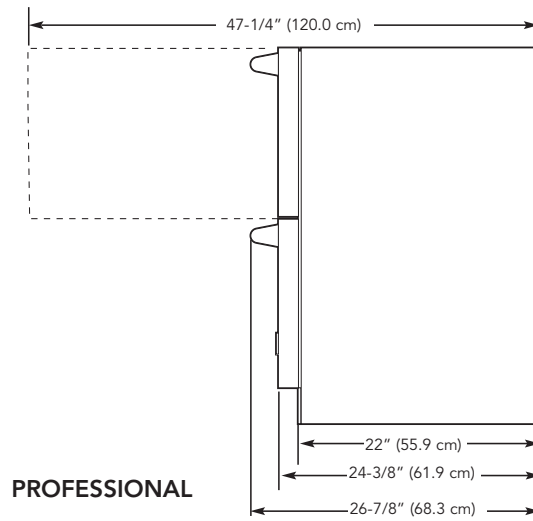


DURD140D
Designer



DFRD140D
Custom Front

See **Custom Panels** section for more information and additional specifications.





UTILITY REQUIREMENTS



GAS
Not applicable



ELECTRICAL

- Three-wire cord with grounded three-prong plug attached to product
- 115 VAC/60 Hz; 15 amp dedicated circuit
- Maximum amp usage—3.3



PLUMBING
Not applicable

Installation Requirements

ACCESS REQUIREMENTS



VURD140D
Professional

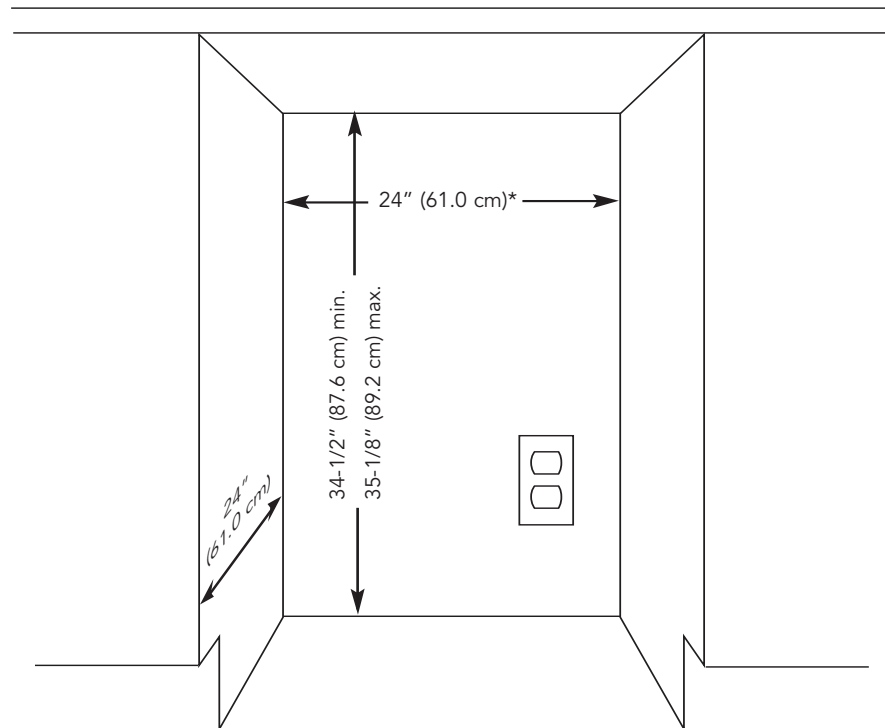


DURD140D
Designer



DFRD140D
Custom Front

See **Custom Panels** section for more information and additional specifications.



*Optional: Cutout for electrical outlet can be placed in adjacent cabinetry.

All models

Cutout width	24" (61.0 cm)*
Cutout height	34-1/2" (87.6 cm) min. to 35-1/8" (89.2 cm) max.
Cutout depth	24" (61.0 cm)