

General Information

1. **WARNING:** The use of cabinets for storage above the appliance may result in a potential burn hazard. Combustible items may ignite, metallic items may become hot and cause burns. If a cabinet storage is to be provided the risk can be reduced by installing a oven hood that projects horizontally a minimum of 5" (12.7 cm) beyond the bottom of the cabinets.
2. **WARNING:** This appliance shall not be used for space heating. This information is based on safety considerations.
3. All openings in the wall behind the appliance and in the floor under the appliance shall be sealed.
4. Keep appliance area clear and free from combustible materials, gasoline, and other flammable vapors.
5. Do not obstruct the flow of combustion and ventilation air.
6. When removing oven for cleaning and/or service;
 - A. Shut off gas at main supply
 - B. Disconnect gas line to the inlet pipe.
 - C. Carefully remove the oven by pulling outward. **CAUTION:** Oven is heavy; use care in handling.
8. Gas Manifold Pressure
 - Natural gas - 4.0" W.C.P.
 - LP/Propane - 10.0" W.C.P.
9. Flexible Connection

If the unit is to be installed with flexible coupling and/or quick disconnect fittings, the installer must use a flexible connector of at least 1/2" ID (1.3 cm) with suitable strain reliefs and comply with national and local codes.
10. The misuse of oven doors (e.g. stepping, sitting, or leaning on them) can result in potential hazards and/or injuries.

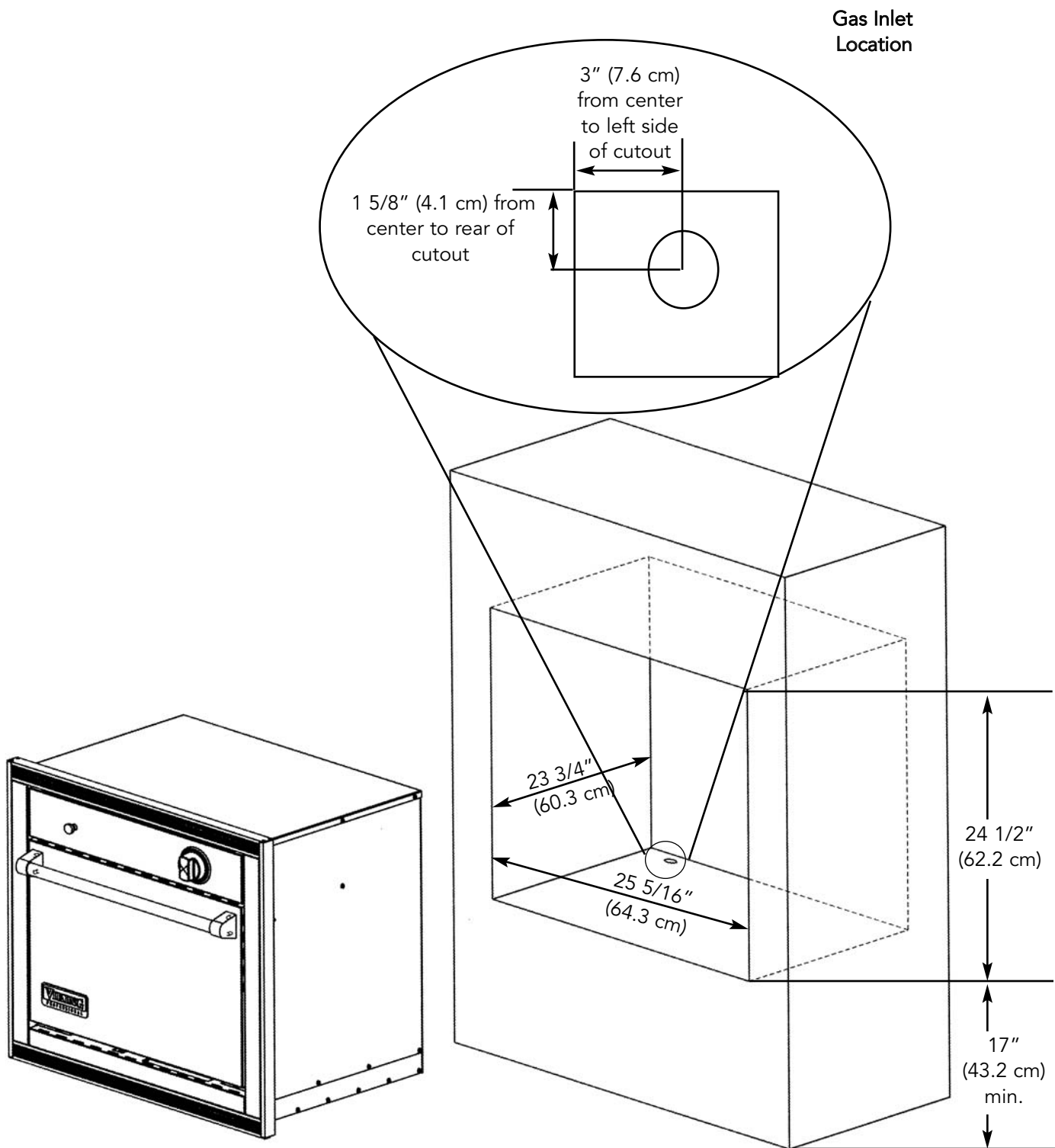
CAUTION

To prevent possible damage to cabinets and cabinet finishes, use only materials and finishes that will withstand temperature up to 190°F (88°C), and that are moisture resistant. When cabinets are covered with laminates, an appropriate heat-resistant adhesive must be used. Consult your cabinet manufacturer for proper specifications.

Specifications

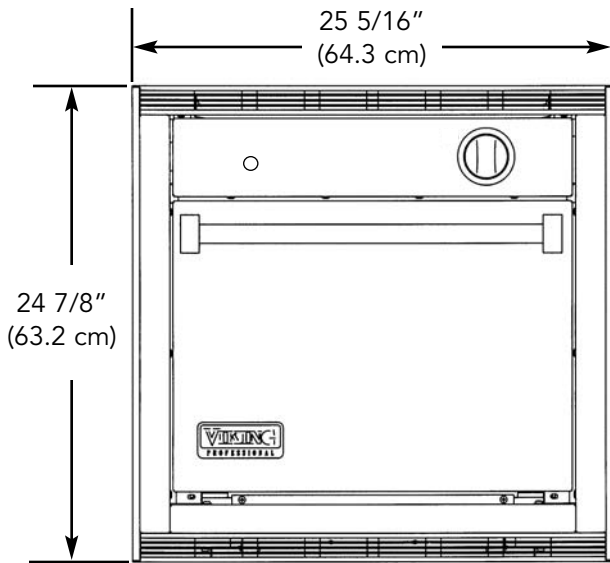
Description	VGSO260T
Cutout width	23 7/8" (60.7 cm) min. 24 1/4" (61.6 cm) max.
Cutout height	24 3/8" (61.9 cm) min. 24 3/4" (62.9 cm) max.
Cutout depth	23 3/4" (60.3 cm)
Cutout height from floor	17" (43.2 cm) min.
Overall width	25 5/16" (64.3 cm)
Overall height	24 7/8" (63.2 cm)
Overall depth	To front of control panel - 25 1/4" (64.1 cm) To front of door handle - 27 3/4" (70.5 cm) With door open - 38 3/4" (98.4 cm)
Gas requirements	Shipped either natural or LP/Propane gas; Field Convertible with proper conversion kit; accepts standard 1/2" (1.3 cm) ID gas service line
Electrical requirements	9-volt battery for ignition
Bake burner rating	20,000 BTU ea. Nat./LP (5.9 kW ea. Nat./LP)
Oven interior Dimensions	Width - 18 1/8" (46.0 cm) Height - 12 1/2" (31.8 cm) Depth- 18 3/4" (47.6 cm) Overall- 2.5 cu. ft
Approximate shipping wt.	196 lbs. (88.2 kg)

Cutout Dimensions

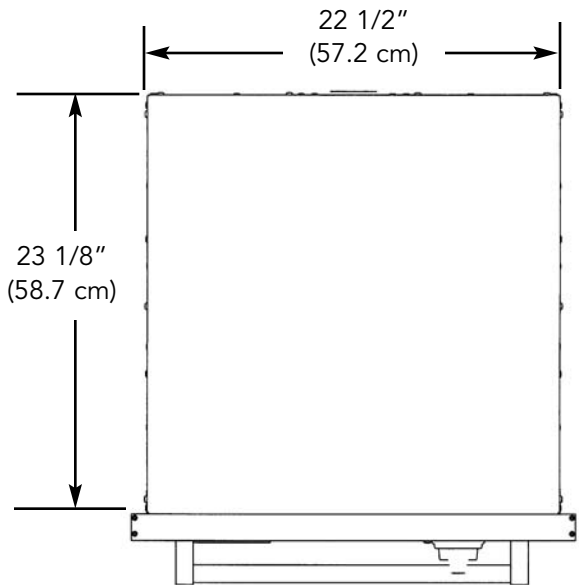


Dimensions

FRONT



TOP



SIDE

