

BASIC SPECIFICATIONS T-SERIES GRILLS

Description	VGBQ300T/0302T	VGIQ300T	VGBQ410T/VGIQ410T	VGBQ412T
Cutout Width	28 5/8" (72.7 cm)	28 5/8" (72.7 cm)	40 1/4" (102.2 cm)	40 1/4" (102.2 cm)
Cutout Depth	28" (71.1 cm)			
Cutout Height	10 1/4" (26.0 cm)			
Overall Width	29 1/2" (74.9 cm)	29 1/2" (74.9 cm)	41 3/16" (104.6 cm)	41 3/16" (104.6 cm)
Overall Depth	32 3/4" (83.2 cm)			
Gas Requirements	Natural: standard residential 1/2" (1.3 cm) ID gas service line. LP/Propane: equipped with high capacity hose/regulator assembly for connection to standard 5gal, 20 lb. LP/Propane gas cylinder with Type 1, QCC-1 connection or standard residential 1/2" (1.3 cm) ID gas service line.			
Electrical Requirements	9 volt DC battery for electronic ignition 120VAC/60HZ - 24" (61.0 cm) power cord supply cord with 3-prong grounded plug attached to rotisserie motor			
Grill Burner Rating	25,000 BTU Nat./22,500 BTU LP (7.3 kW Nat./6.5 kW LP)			
TruSear™ Burner Rating (if applicable)	N/A	30,000 BTU Nat./LP 8.3 kW Nat./LP	30,000 BTU Nat./LP 8.3 kW Nat./LP	N/A
Smoker Burner Rating (if applicable)	12,500 Nat./10,500 LP BTU (3.7 kW Nat./3.1 kW LP)	N/A	12,500 BTU Nat./10,500 BTU LP (3.7 kW Nat./3.1 kW LP)	
Side Burner Rating (if applicable)	15,000 BTU Nat./13,500 BTU LP (4.4 kW Nat./4.0 kW LP)			
Rotisserie Burner Rating (if applicable)	(1) 15,000 Nat./13,500 BTU LP (4.4 kW Nat./4.0 kW LP)			
Approximate Shipping Weight	325 lbs. (147 kg)	325 lbs. (147 kg)	380 lbs. (172 kg)	350 lbs. (159 kg)

Description	VGBQ530T/VGIQ530T		VGBQ532T/VGIQ532T	
Cutout Width	52 1/4" (132.7 cm)			
Cutout Depth	28" (71.1 cm)			
Cutout Height	10 1/4" (26.0 cm)			
Overall Width	53 3/16" (135.1 cm)			
Overall Depth	32 3/4" (83.2 cm)			
Gas Requirements	Natural: standard residential 1/2" (1.3 cm) ID gas service line. LP/Propane: equipped with high capacity hose/regulator assembly for connection to standard 5gal, 20 lb. LP/Propane gas cylinder with Type 1, QCC-1 connection or standard residential 1/2" (1.3 cm) ID gas service line.			
Electrical Requirements	9 volt DC battery for electronic ignition 120VAC/60HZ - 24" (61.0 cm) power cord supply cord with 3-prong grounded plug attached to rotisserie motor			
Grill Burner Rating	25,000 BTU Nat./22,500 BTU LP (7.3 kW Nat./6.5 kW LP)			
TruSear™ Burner Rating (if applicable)	30,000 BTU Nat./LP 8.8 kW Nat./LP		30,000 BTU Nat./LP 8.8 kW Nat./LP	
Smoker Burner Rating	12,500 BTU Nat./10,500 BTU LP (3.7 kW Nat./3.1 kW LP)			
Side Burner Rating (if applicable)	15,000 BTU Nat./13,500 BTU LP (4.4 kW Nat./4.0 kW LP)			
Rotisserie Burner Rating	(2) 15,000 Nat./13,500 BTU LP (4.4 kW Nat./4.0 kW LP)		(1) 15,000 BTU Nat./13,500 BTU LP (4.4 kW Nat./4.0 kW LP)	
Approximate Shipping Weight	490 lbs. (222 kg)		460 lbs. (209 kg)	

BASIC SPECIFICATIONS E-SERIES GRILLS

Description	VGBQ300E	VGIQ300E	VGBQ410E/VGIQ410E	VGBQ412E
Cutout Width	28 5/8" (72.7 cm)	28 5/8" (72.7 cm)	40 1/4" (102.2 cm)	40 1/4" (102.2 cm)
Cutout Depth	28" (71.1 cm)			
Cutout Height	10 1/4" (26.0 cm)			
Overall Width	29 1/2" (74.9 cm)	29 1/2" (74.9 cm)	41 3/16" (104.6 cm)	41 3/16" (104.6 cm)
Overall Depth	32 3/4" (83.2 cm)			
Gas Requirements	Natural: standard residential 1/2" (1.3 cm) ID gas service line. LP/Propane: equipped with high capacity hose/regulator assembly for connection to standard 5gal, 20 lb. LP/Propane gas cylinder with Type 1, QCC-1 connection or standard residential 1/2" (1.3 cm) ID gas service line.			
Electrical Requirements	120VAC/60HZ - 3' (91.4 cm) power cord supply cord with 3-prong grounded plug attached to grill 120VAC/60HZ - 24" (61.0 cm) power cord supply cord with 3-prong grounded plug attached to rotisserie motor			
Maximum Amp Usage	2.1 amps	2.1 amps	2.2 amps	2.3 amps
Grill Burner Rating	25,000 BTU Nat./22,500 BTU LP (7.3 kW Nat./6.5 kW LP)			
TruSear™ Burner Rating (if applicable)	N/A	30,000 BTU Nat./LP 8.3 kW Nat./LP	30,000 BTU Nat./LP 8.3 kW Nat./LP	N/A
Smoker Burner Rating (if applicable)	12,500 Nat./10,500 LP BTU (3.7 kW Nat./3.1 kW LP)	N/A	12,500 BTU Nat./10,500 BTU LP (3.7 kW Nat./3.1 kW LP)	
Side Burner Rating (if applicable)	15,000 BTU Nat./13,500 BTU LP (4.4 kW Nat./4.0 kW LP)			
Rotisserie Burner Rating (if applicable)	(1) 15,000 Nat./13,500 BTU LP (4.4 kW Nat./4.0 kW LP)			
Approximate Shipping Weight	325 lbs. (147 kg)	325 lbs. (147 kg)	380 lbs. (172 kg)	350 lbs. (159 kg)

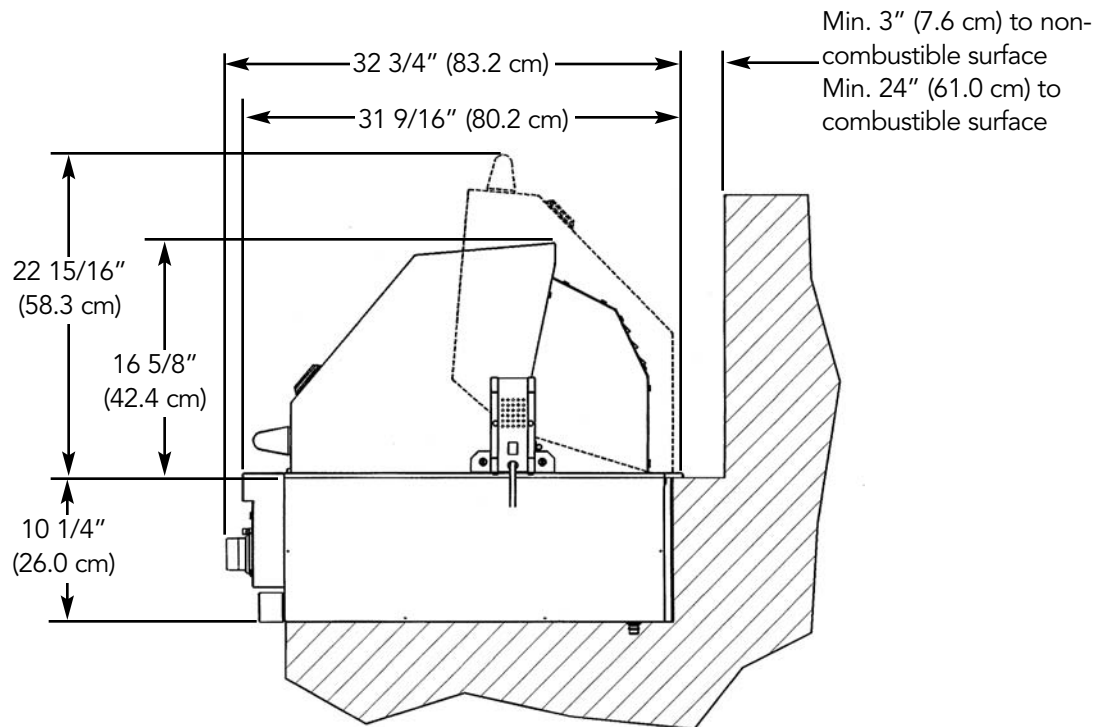
Description	VGBQ530E/VGIQ530E		VGBQ532E/VGIQ532E	
Cutout Width	52 1/4" (132.7 cm)			
Cutout Depth	28" (71.1 cm)			
Cutout Height	10 1/4" (26.0 cm)			
Overall Width	53 3/16" (135.1 cm)			
Overall Depth	32 3/4" (83.2 cm)			
Gas Requirements	Natural: standard residential 1/2" (1.3 cm) ID gas service line. LP/Propane: equipped with high capacity hose/regulator assembly for connection to standard 5gal, 20 lb. LP/Propane gas cylinder with Type 1, QCC-1 connection or standard residential 1/2" (1.3 cm) ID gas service line.			
Electrical Requirements	120VAC/60HZ - 3' (91.4 cm) power cord supply cord with 3-prong grounded plug attached to grill 120VAC/60HZ - 24" (61.0 cm) power cord supply cord with 3-prong grounded plug attached to rotisserie motor			
Maximum Amp Usage	3.0 amps		3.0 amps	
Grill Burner Rating	25,000 BTU Nat./22,500 BTU LP (7.3 kW Nat./6.5 kW LP)			
TruSear™ Burner Rating (if applicable)	30,000 BTU Nat./LP 8.8 kW Nat./LP		30,000 BTU Nat./LP 8.8 kW Nat./LP	
Smoker Burner Rating	12,500 BTU Nat./10,500 BTU LP (3.7 kW Nat./3.1 kW LP)			
Side Burner Rating (if applicable)	15,000 BTU Nat./13,500 BTU LP (4.4 kW Nat./4.0 kW LP)			
Rotisserie Burner Rating	(2) 15,000 Nat./13,500 BTU LP (4.4 kW Nat./4.0 kW LP)		(1) 15,000 BTU Nat./13,500 BTU LP (4.4 kW Nat./4.0 kW LP)	
Approximate Shipping Weight	490 lbs. (222 kg)		460 lbs. (209 kg)	

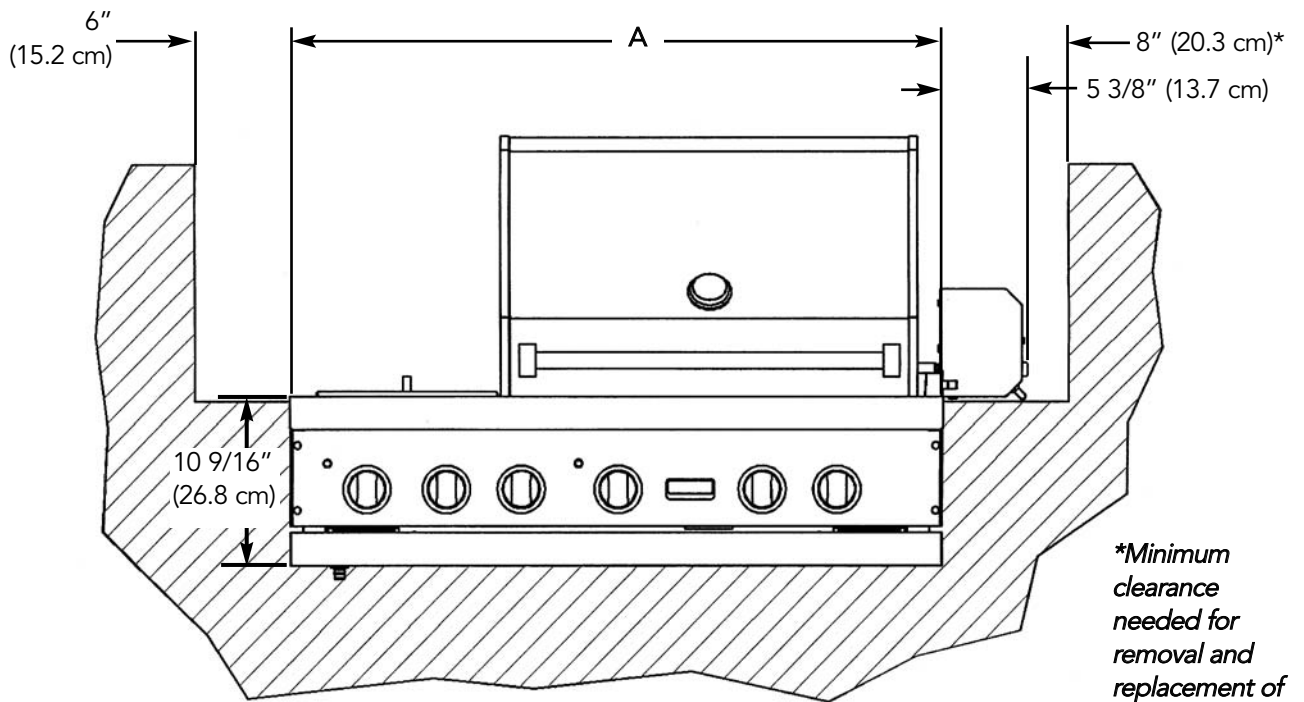
INSTALLATION PROCEDURES FOR BUILT-IN INSTALLATION

1. A minimum of 6" (15.2 cm) from the sides, or a minimum of 8" (20.3 cm) from the right side if there is a rotisserie motor, and a minimum of 24" (61.0 cm) from the back must be maintained from the grill above the cooking surface to adjacent vertical combustible construction. The grill is not to be located under overhead unprotected combustible construction.
2. A minimum of 3" (7.6 cm) clearance from the back of the grill with a canopy and a minimum of 6" (15.2 cm) from the back of the grill without a canopy to non-combustible construction is required for the purpose of allowing the lid to open fully and for proper ventilation. Note that the grill exhausts combustion products and cooking greases to the back. Never locate the grill in a location where the exhaust is directed at a window, less than 24" (61.0 cm) to combustible material or any surface that is difficult to clean. It is desirable to allow at least 6" side clearance to non-combustible construction above the cooking surface for counter space. If using the rotisserie option, the space is essential for motor and skewer clearance. The grill can be placed directly adjacent to combustible and/or non-combustible construction below the cooking surface.
3. When determining a suitable location for the grill, take into account concerns such as exposure to wind, proximity to traffic paths and keeping gas supply lines as short as possible. Locate the grill only in a well-ventilated area. Never locate the grill in a building, garage, breezeway, shed or other such enclosed areas. During heavy use, the grill will produce a lot of smoke. Ensure there is adequate area for it to dissipate.
4. If using a rear wall, locate the electrical service on the right hand side for the rotisserie motor. The rotisserie motor requires a 110/120 volt supply. the power supply cord on the motor is equipped with a 3-prong (grounded) plug for protection against shock hazard. Do not cut or remove the grounding from the plug. The electrical service must be equipped with a properly grounded 3-prong receptacle as required by the National Electrical Code ANSI/NFPA 70-latest edition. Installation in Canada must be in accordance with the Canadian Electrical Code, CSA 22.1 and local codes.

IMPORTANT: Gas fittings, regulator, and installer supplied shut-off valve must be easily accessible.

BUILT-IN CLEARANCE DIMENSIONS

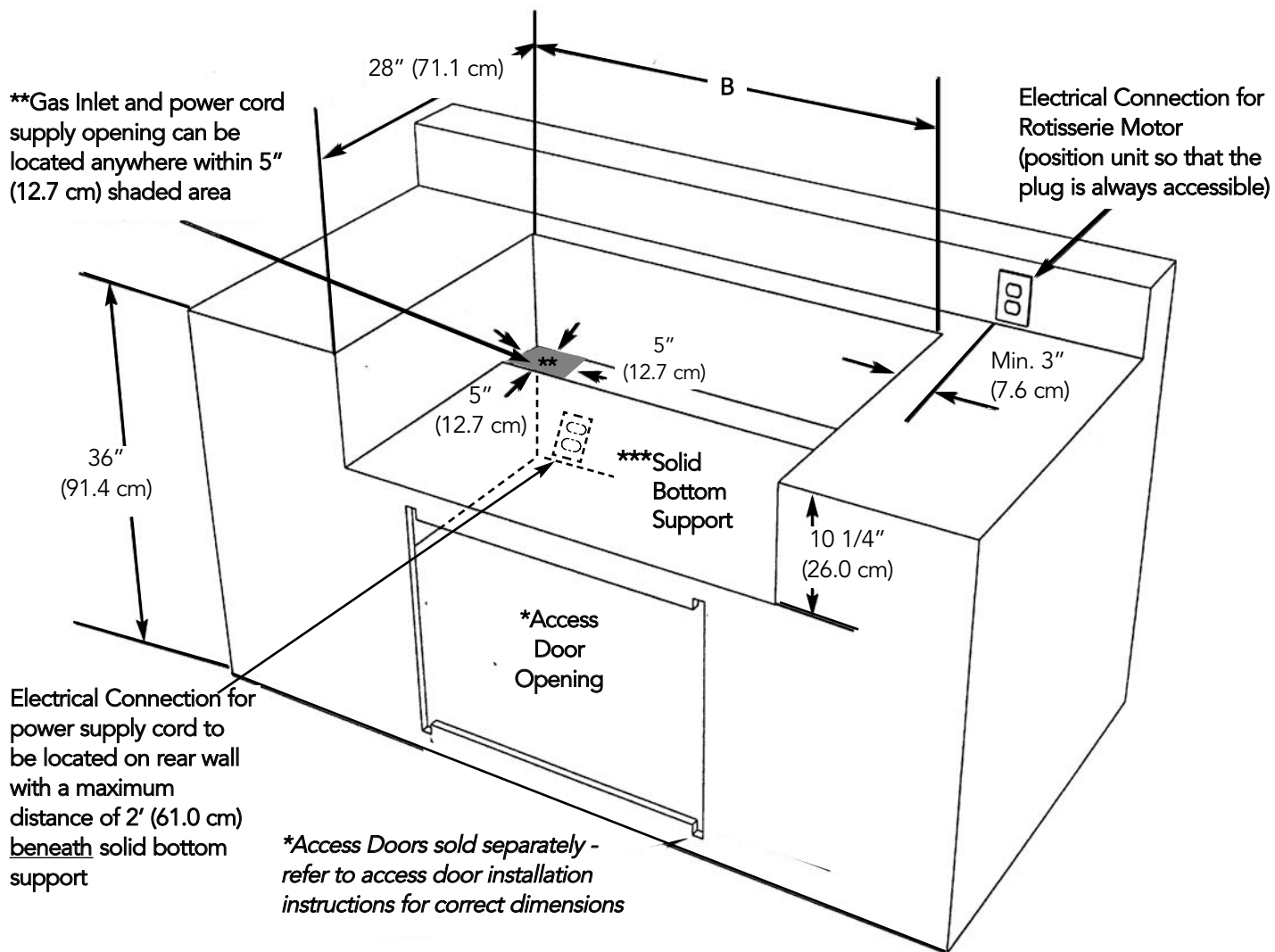




MODEL	Dim. A
VGBQ300T/0302T	29 1/2" (74.9 cm)
VGBQ300E	
VGIQ300T	29 1/2" (74.9 cm)
VGIQ300E	
VGBQ410T/VGIQ410T	41 3/16" (104.6 cm)
VGBQ410E/VGIQ410E	
VGBQ412T	41 3/16" (104.6 cm)
VGBQ412E	
VGBQ530T/VGIQ530T	53 3/16" (135.1 cm)
VGBQ530E/VGIQ530E	
VGBQ532T/VGIQ532T	53 3/16" (135.1 cm)
VGBQ532T/VGIQ532T	

CUTOUT DIMENSIONS

Model	Dim. B
VGBQ300T/0302T	28 5/8" (72.7 cm)
VGBQ300E	
VGIQ300T	28 5/8" (72.7 cm)
VGIQ300E	
VGBQ410T/VGIQ410T	40 1/4" (102.2 cm)
VGBQ410E/VGIQ410E	
VGBQ412T	40 1/4" (102.2 cm)
VGBQ412E	
VGBQ530T/VGIQ530T	52 1/4" (132.7 cm)
VGBQ530E/VGIQ530E	
VGBQ532T/VGIQ532T	52 1/4" (132.7 cm)
VGBQ532E/VGIQ532E	



*****IMPORTANT: Cabinet cutout must have a solid bottom to support the full weight of the unit.**