



OUTDOOR—COOKING

Built-In Gas Side Burner, 24"W. Rangetop, Wok/Cooker, & TruSear™ Infrared Grillers



★ Please see Installation Notes & Accessories for important information, including fuel conversion kits and bases.

Dimensions & Specifications

PRODUCT DIMENSIONS



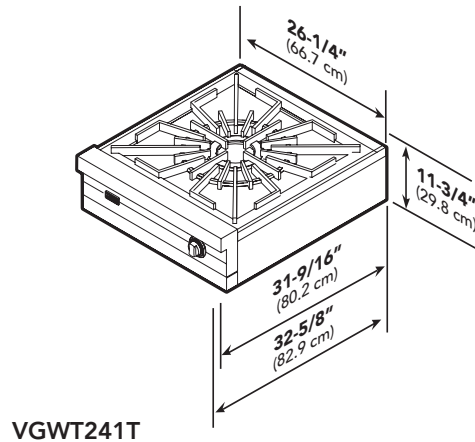
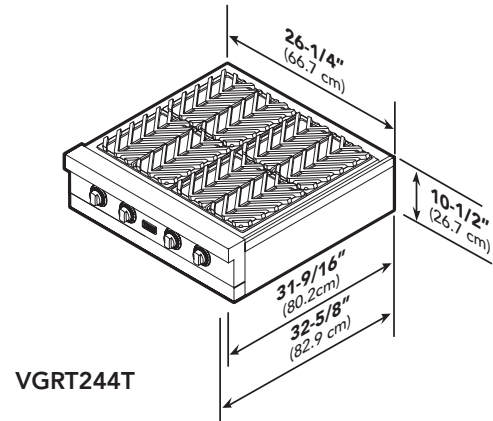
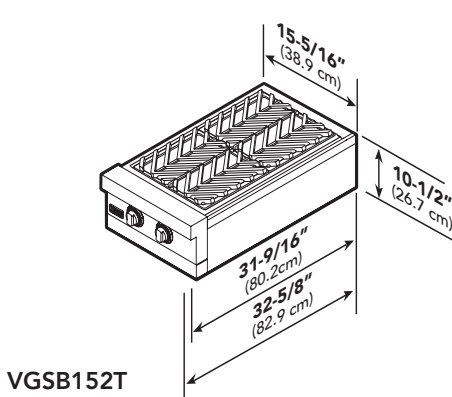
VGSB152T
Double Side Burner



VGRT244T
24"W. Rangetop



VGWT241T
24"W. Wok/Cooker



	VGSB152T	VGRT244T	VGWT241T
Overall width	15-5/16" (38.9 cm)	26-1/4" (66.7 cm)	26-1/4" (66.7 cm)
Overall height			
To cooking surface	10-1/2" (26.7 cm)	10-1/2" (26.7 cm)	11-3/4" (29.8 cm)
Overall depth			
To end of landing ledge		31-9/16" (80.2 cm)	
To end of knobs		32-5/8" (82.9 cm)	
Approx. ship wt. lbs. (kg)	80 (36.3)	160 (72.0)	145 (66.0)





OUTDOOR—COOKING

Built-In Gas Side Burner, 24"W. Rangetop, Wok/Cooker, & TruSear™ Infrared Grillers



★ Please see Installation Notes & Accessories for important information, including fuel conversion kits and bases.

Dimensions & Specifications

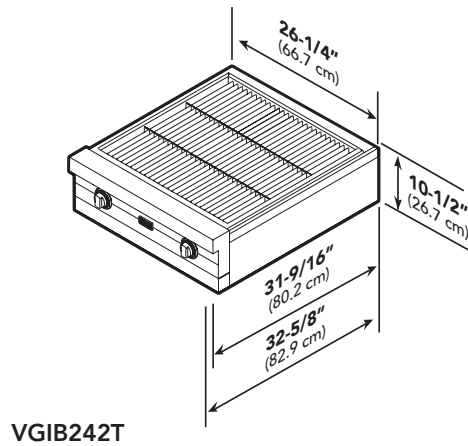
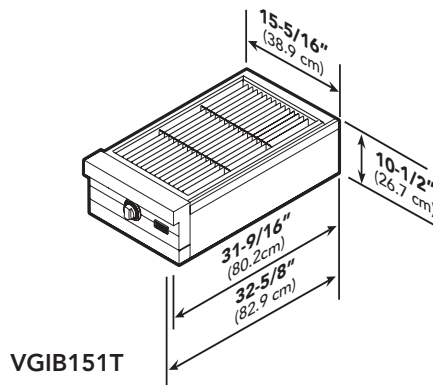
PRODUCT DIMENSIONS



VGIB151T
15"W. TruSear
Infrared Griller



VGIB242T
24"W. TruSear
Infrared Griller



	VGIB151T	VGIB242T
Overall width	15-5/16" (38.9 cm)	26-1/4" (66.7 cm)
Overall height		10-1/2" (26.7 cm)
To cooking surface		
Overall depth		31-9/16" (80.2 cm)
To end of landing ledge		32-5/8" (82.9 cm)
To end of knobs		
Approx. ship wt. lbs. (kg)	80 (36.3)	160 (72.0)





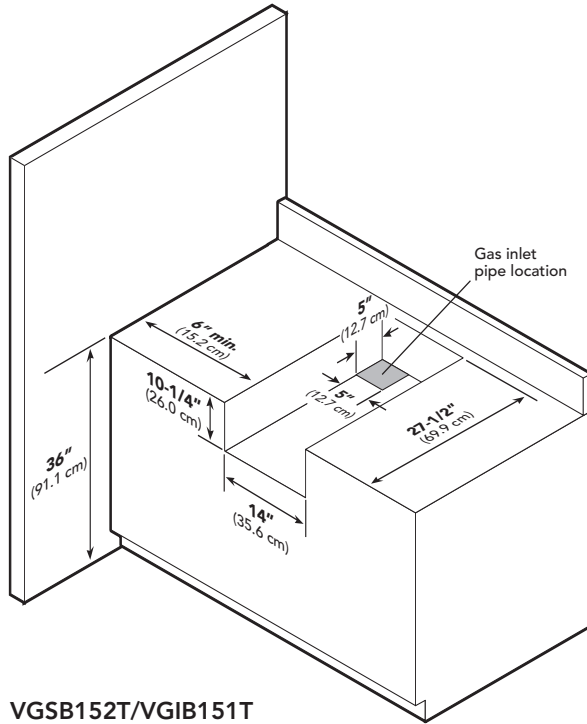
OUTDOOR—COOKING

Built-In Gas Side Burner, 24"W. Rangetop, Wok/Cooker, & TruSear™ Infrared Grillers

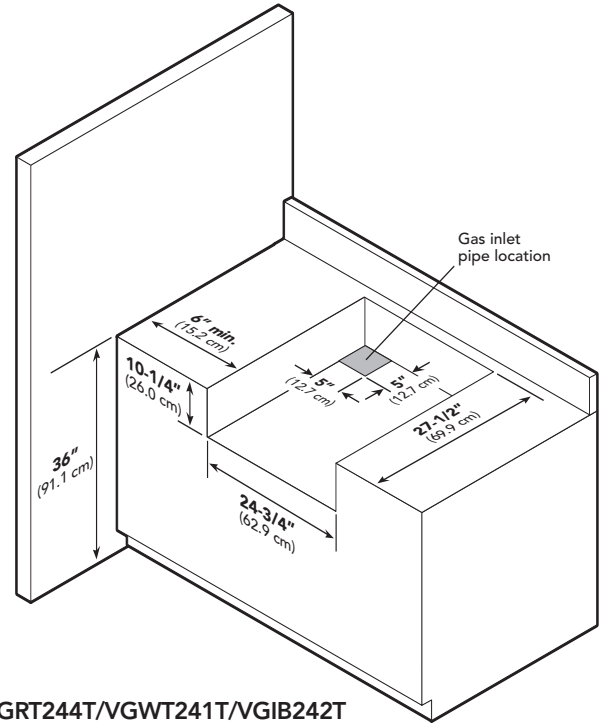


Dimensions & Specifications

CUTOUT DIMENSIONS



VGSB152T/VGIB151T



VGRT244T/VGWT241T/VGIB242T

15"W. SIDEBURNERS & GRILLERS

1. Maintain a minimum of 6" (15.2 cm) from the sides of the side burners (above the cooking surface) to adjacent vertical combustible construction. Do not install under overhead, unprotected combustible construction.
2. Allow at least 6" side clearance to non-combustible construction above the cooking surface for counter space.
3. When choosing a suitable location, consider factors such as wind exposure, proximity to traffic paths, keeping gas supply lines as short as possible. Install only in a well-ventilated area. Never install in a building, garage, breezeway, shed, or other such fully enclosed areas.

24"W. RANGETOP/WOK/GRILLER

PROXIMITY TO CABINET INSTALLATION

The unit may be installed directly adjacent to the existing base cabinets. The side trim must be 3/8" (0.95 cm) above the adjacent base cabinet countertop. There is a 0" side and rear clearance to non-combustible surfaces. The unit cannot be installed directly adjacent to combustible sidewalls. There must be a minimum of 6" (15.2 cm) side and rear clearance from the unit to such combustible surfaces. This unit cannot be placed under an overhead which is unprotected and combustible.

	VGSB152T	VGRT244T	VGWT241T	VGIB151T	VGIB242T
Cutout width	14" (35.6 cm)	24-3/4" (62.9 cm)	24-3/4" (62.9 cm)	14" (35.6 cm)	24-3/4" (62.9 cm)
Cutout height	10-1/4" (26.0 cm)				
Cutout depth	27-1/2" (69.9 cm)	27-1/2" (69.9 cm)	27-3/8" (69.5 cm) min. to 27-7/8" (70.8 cm) max.	27-1/2" (69.9 cm)	27-1/2" (69.9 cm)

