

INSTALLATION INSTRUCTIONS

VIKING RANGE CORPORATION
111 Front Street
Greenwood, Mississippi 38930 USA
(662) 455-1200

OUTDOOR BUILT-IN ELECTRIC SMOKER OVEN



IMPORTANT: PLEASE READ AND FOLLOW

1. Before beginning, please read these instructions completely and carefully.
2. Do not remove permanently affixed labels, warnings, or plates from product. This may void the warranty.
3. Please observe all local and national codes and ordinances.
4. Please ensure that this product is properly grounded.
5. **The installer should leave these instructions with the consumer who should retain for local inspector's use and for future reference.**

Installation must conform with local codes or in the absence of codes, the National Electrical Code, ANSI/NFPA 70 - latest edition.
IN CANADA: Installation must be in accordance with the current CSA C22.1 Canadian Electrical Codes Part 1 and/or local codes.

WARNING!!

ELECTRICAL GROUNDING INSTRUCTIONS

This electric smoker oven must be electrically grounded in accordance with local codes. This unit is equipped with a three-prong plug for your protection against shock hazard and should be plugged directly into a properly grounded three-prong receptacle. Do not cut or remove the grounding prong from this plug.

FOR PERSONAL SAFETY, THIS UNIT MUST BE PROPERLY GROUNDED. DO NOT USE AN EXTENSION CORD WITH THIS APPLIANCE. SUCH USE MAY RESULT IN A FIRE, ELECTRICAL SHOCK OR OTHER PERSONAL INJURY.

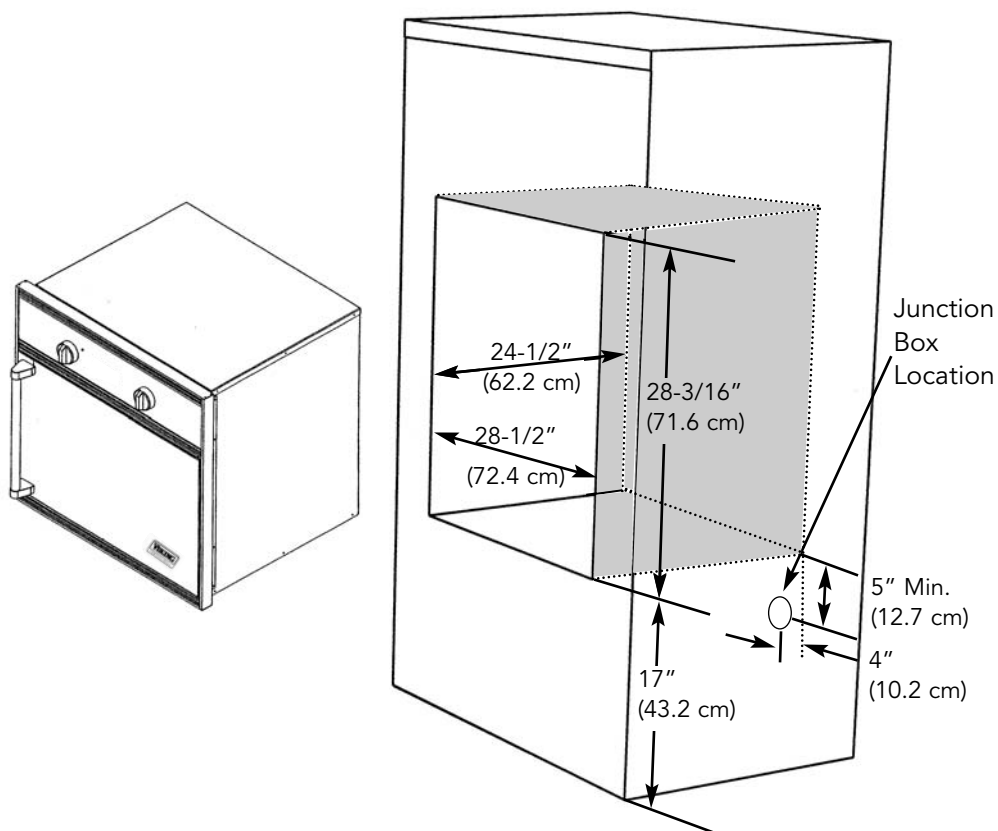
GENERAL INFORMATION

1. **WARNING:** The use of cabinets for storage above the appliance may result in potential fire or burn hazard.
2. **WARNING:** This appliance shall not be used for space heating. This information is based on safety considerations.
3. All openings in the wall behind the appliance in the floor under the appliance shall be sealed.
4. Keep appliance area clear and free from combustible materials, gasoline, and other flammable vapors.
5. Disconnect the electric supply to the appliance before servicing.
6. When removing oven for service and/or cleaning
 - A. Disconnect AC power supply.
 - B. Carefully remove the oven by pulling outward. **CAUTION:** Oven is heavy, use care in handling.
7. Electrical requirements:
Listed in specifications chart p. 5 under Electrical Requirements.
8. The misuse of the oven doors (e.g. leaning on them) can result in possible hazards and/or injuries.

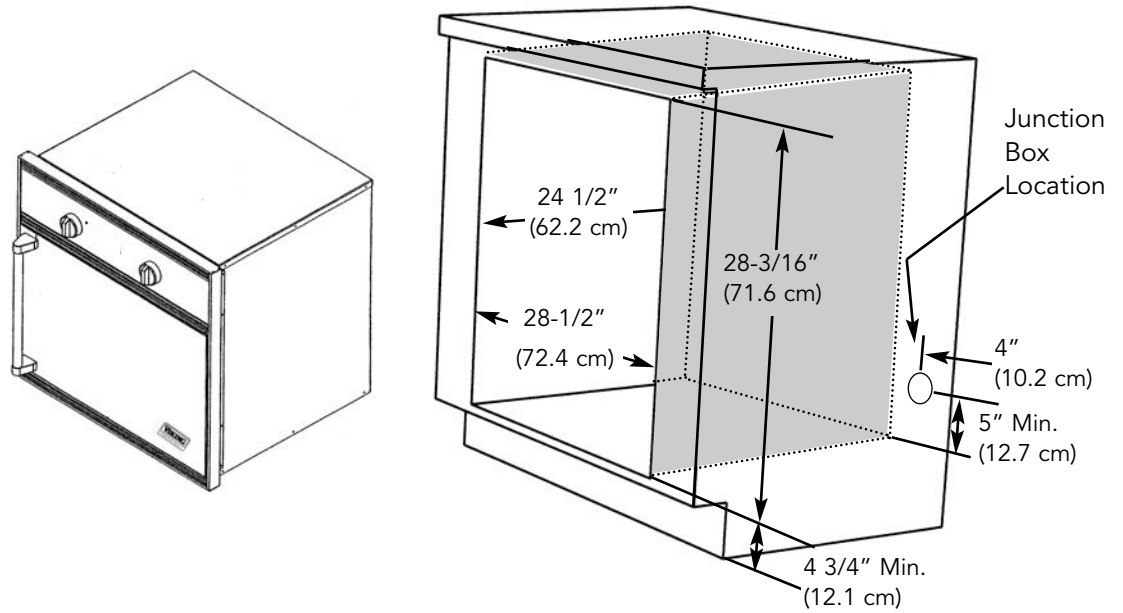
SPECIFICATIONS-ELECTRIC SMOKER OVEN

DESCRIPTION	VEOS100	
Overall Width	29-1/2" (74.9 cm)	
Overall Height	28-9/16" (72.6 cm)	
Overall Depth	To edge of door -	25-1/2" (64.8 cm)
	To end of handle bracket -	28-3/32" (71.4 cm)
Cutout Width	28-1/2" (72.4 cm)	
Cutout Height	28-3/16" (71.6 cm)	
Cutout Depth	24-1/2" (62.2 cm)	
Electrical Requirements	120V/60 Hz, 30 amp; 4 ft. (121.9 cm) 3-wire cord with grounded 3-prong plug	
Maximum Amp Usage	1950 watts	17.7 amps
Smoker Element Rating	300 watts	2.7 amps
Cook Element Rating	2 elements -	750 watts each 6.8 amps each
Oven Interior Width	23" (58.4 cm)	
Oven Interior Height	14-7/8" (37.8 cm)	
Oven Interior Depth	15-15/16" (40.5 cm)	
Oven Interior Overall Size	3.2 cu. ft.	
Approximate Shipping Weight	260 lbs. (117.0 kg)	

OVEN CUTOUT DIMENSIONS IN WALL CABINET

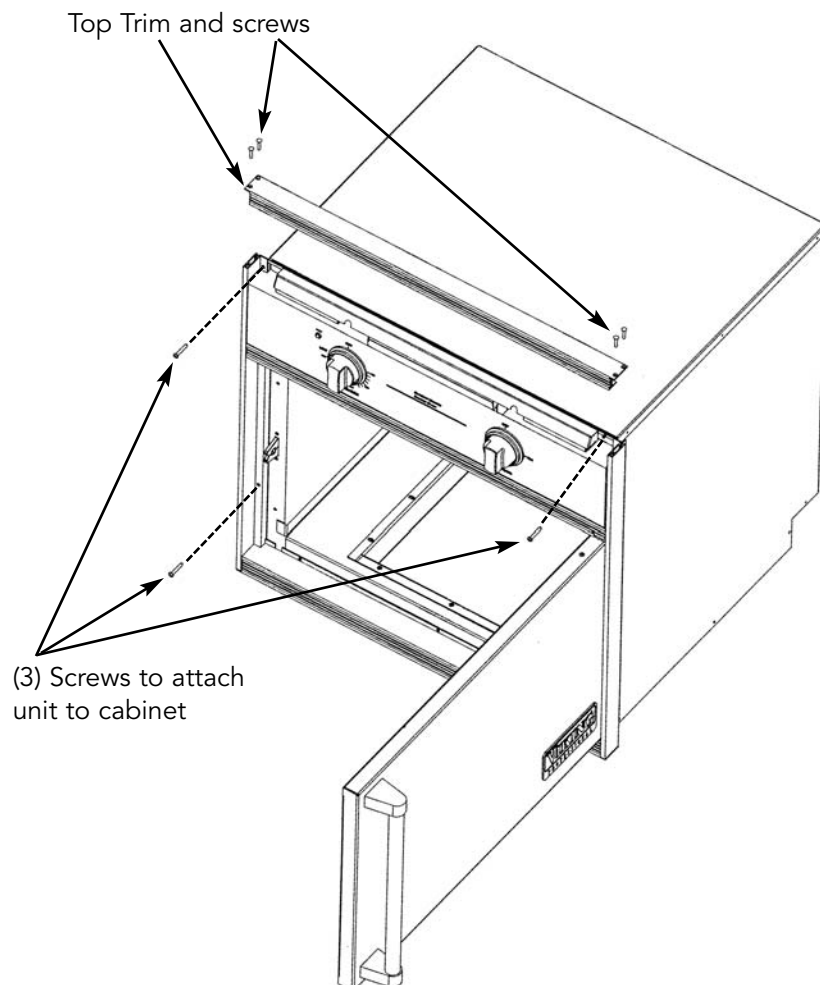


UNDERCOUNTER



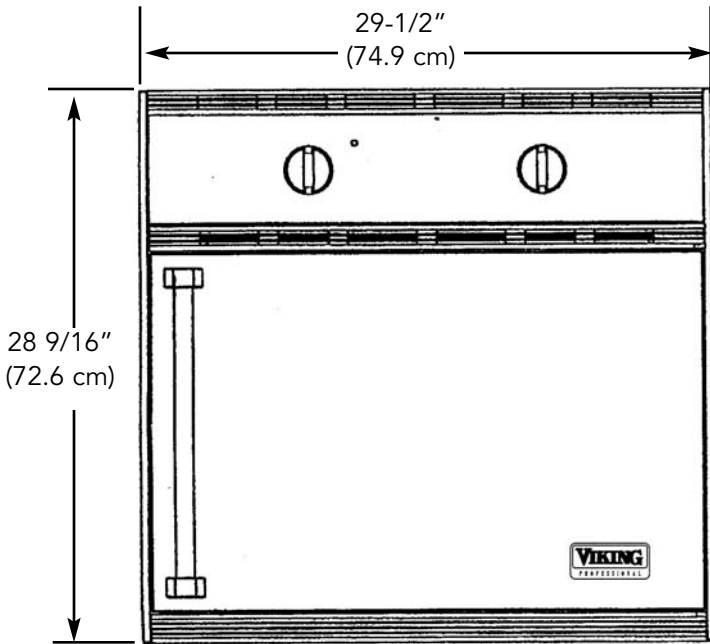
To fasten unit to cabinet:

1. Remove the screws holding the top trim.
2. Remove top trim to gain access to screw openings.
3. Attach the unit to the cabinet using the three screws provided in locations shown.
4. Replace top trim and screws.

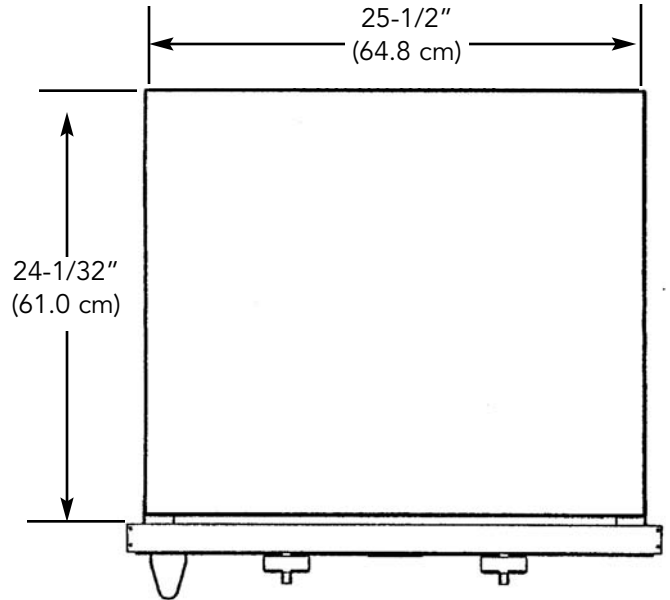


OVEN DIMENSIONS

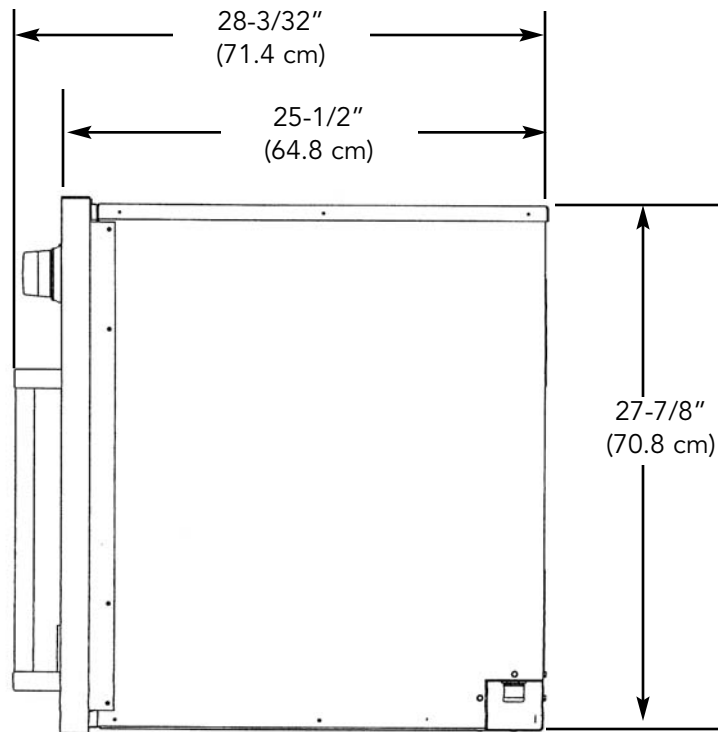
FRONT VIEW

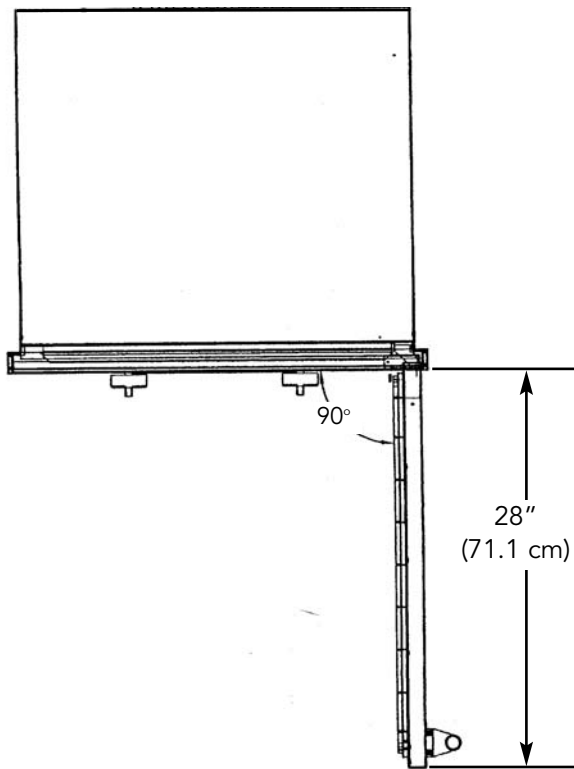


TOP VIEW

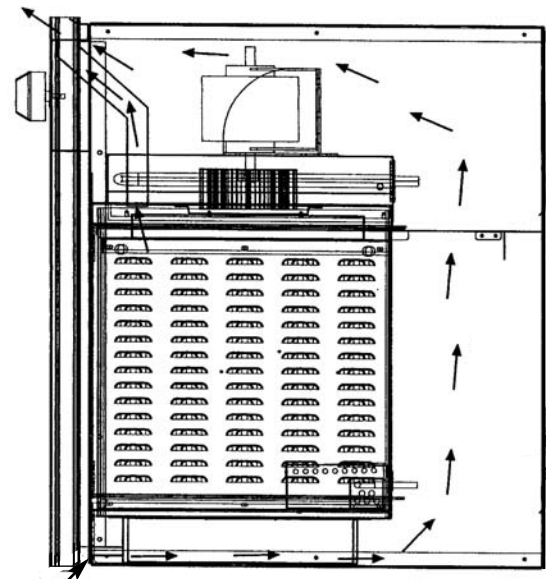


SIDE VIEW





Smoke Exhaust/Cooling Air Outlet



Cooling Air Flow

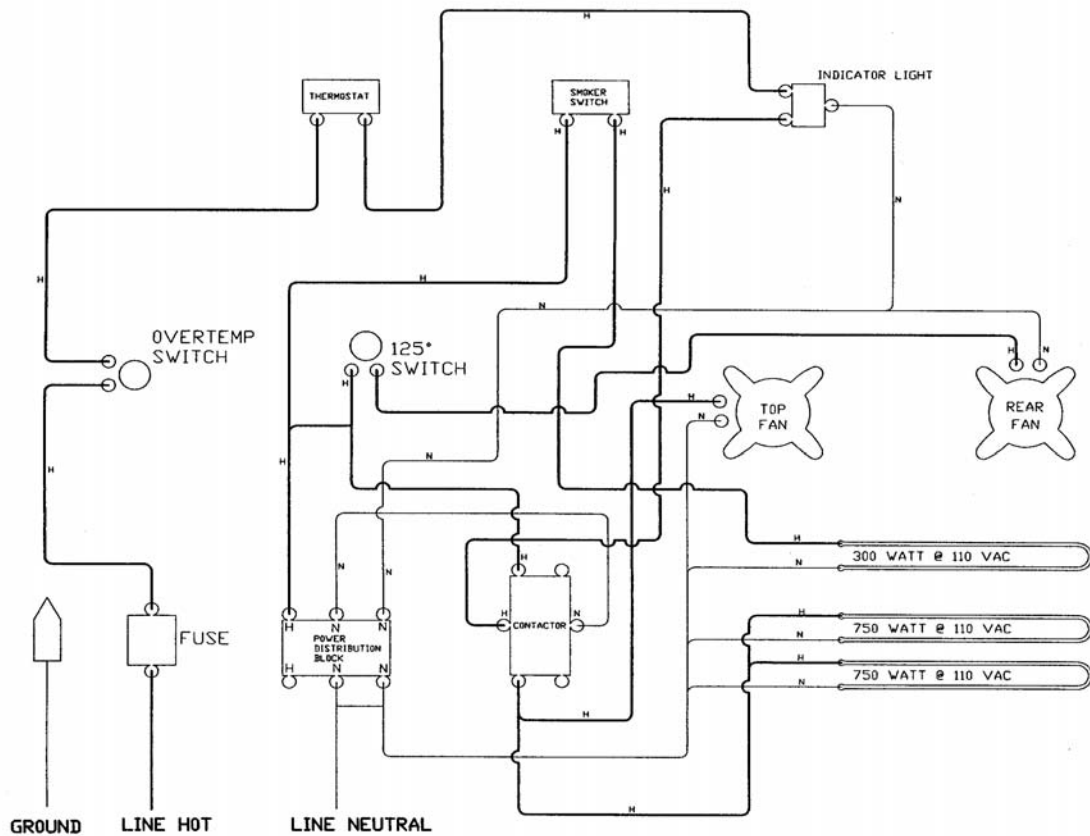
FINAL PREPARATION

1. Some stainless steel parts may have a plastic protective wrap which must be peeled off. All stainless steel body parts should be wiped with hot, soapy water and with a liquid cleaner designed for this material. If build-up occurs, do not use steel wool, abrasive cloths, cleaners, or powders!! If it is necessary to scrape stainless steel to remove encrusted materials, soak with hot, wet cloths to loosen the material, then use a wood or nylon scraper. Do not use a metal knife, spatula, or any other metal tool to scrape stainless steel! Scratches are almost impossible to remove.
2. The interior of the oven should be washed thoroughly with hot, soapy water to remove film residues and any installation dust or debris before being used for food preparation, then rinsed and wiped dry. Solutions stronger than soap and water are rarely needed.

REPLACEMENT PARTS

Only authorized replacement parts may be used in performing service on the smoker oven. Do not repair or replace any part of the appliance unless specifically recommended in the manual. All other servicing should be referred to a qualified technician.

WIRING DIAGRAM BUILT-IN ELECTRIC SMOKER OVEN



WARNING: ELECTRICAL GROUNDING INSTRUCTIONS

This appliance is equipped with a three-prong grounding plug for your protection against shock hazard and should be plugged directly into a properly grounded three prong receptacle. DO NOT CUT OR REMOVE THE GROUNDING PRONG FROM THIS PLUG.

CAUTION: Label all wires prior to disconnection when servicing controls. Wiring errors can cause improper and dangerous operation. Verify proper operation after servicing.

VIKING RANGE CORPORATION
111 Front Street • Greenwood, Mississippi 38930 USA • (662) 455-1200

Specifications subject to change without notice
For more product information, call 1-888-VIKING1 (845-4641), visit our web site at <http://www.vikingrange.com>