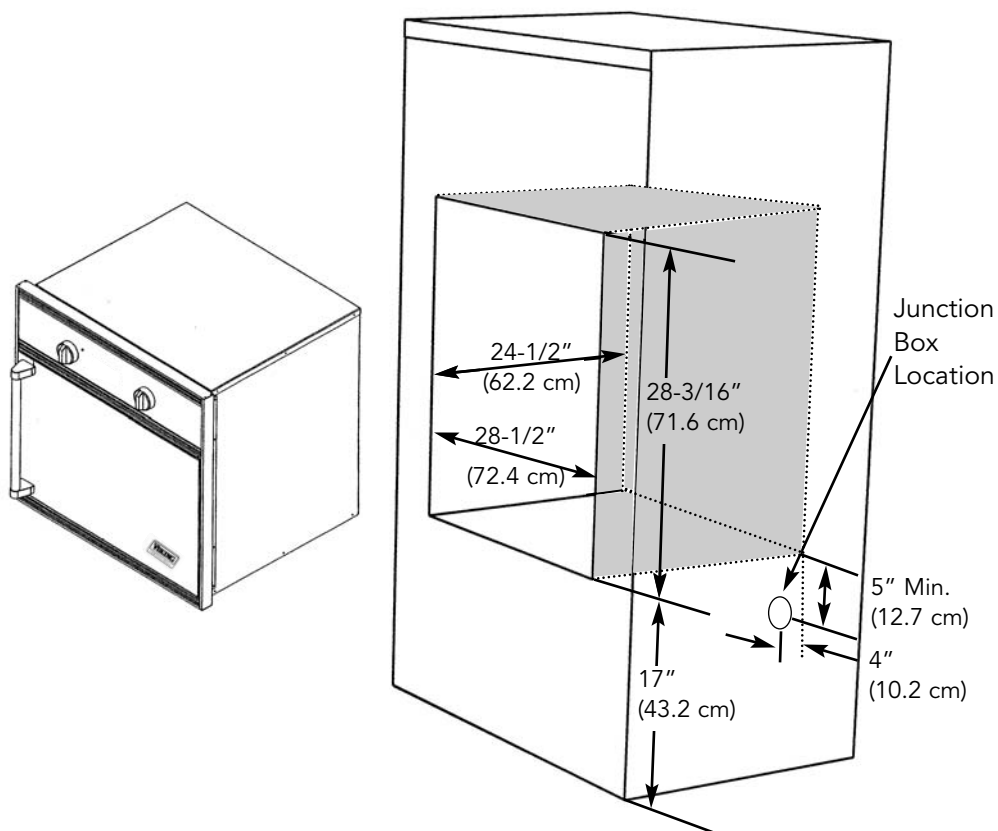


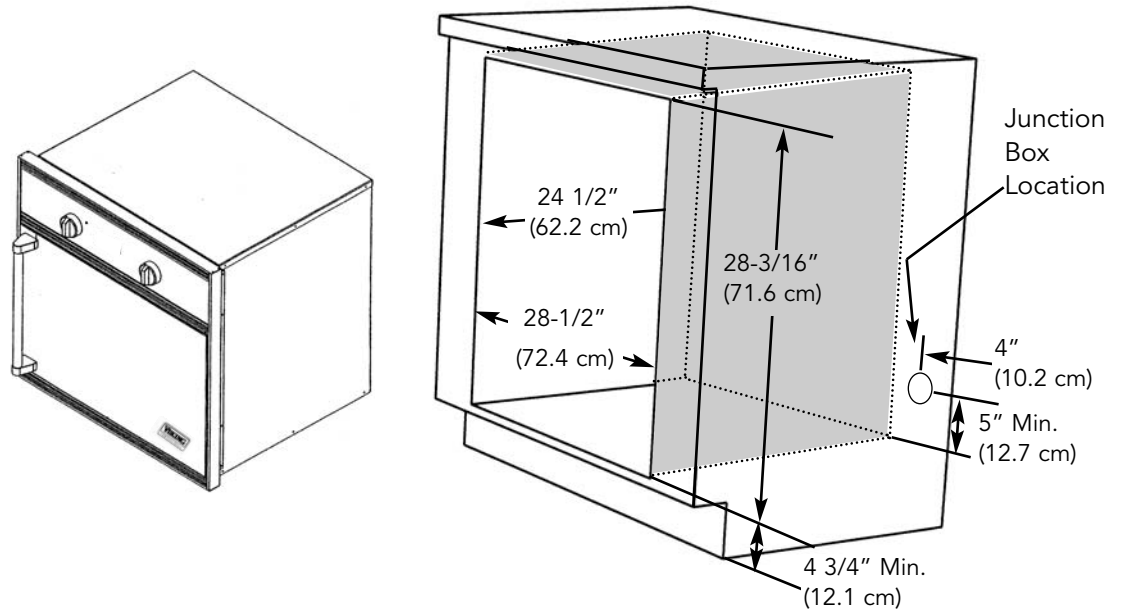
## SPECIFICATIONS-ELECTRIC SMOKER OVEN

DESCRIPTION	VEOS100	
Overall Width	29-1/2" (74.9 cm)	
Overall Height	28-9/16" (72.6 cm)	
Overall Depth	To edge of door -	25-1/2" (64.8 cm)
	To end of handle bracket -	28-3/32" (71.4 cm)
Cutout Width	28-1/2" (72.4 cm)	
Cutout Height	28-3/16" (71.6 cm)	
Cutout Depth	24-1/2" (62.2 cm)	
Electrical Requirements	120V/60 Hz, 30 amp; 4 ft. (121.9 cm) 3-wire cord with grounded 3-prong plug	
Maximum Amp Usage	1950 watts	17.7 amps
Smoker Element Rating	300 watts	2.7 amps
Cook Element Rating	2 elements -	750 watts each 6.8 amps each
Oven Interior Width	23" (58.4 cm)	
Oven Interior Height	14-7/8" (37.8 cm)	
Oven Interior Depth	15-15/16" (40.5 cm)	
Oven Interior Overall Size	3.2 cu. ft.	
Approximate Shipping Weight	260 lbs. (117.0 kg)	

## OVEN CUTOUT DIMENSIONS IN WALL CABINET

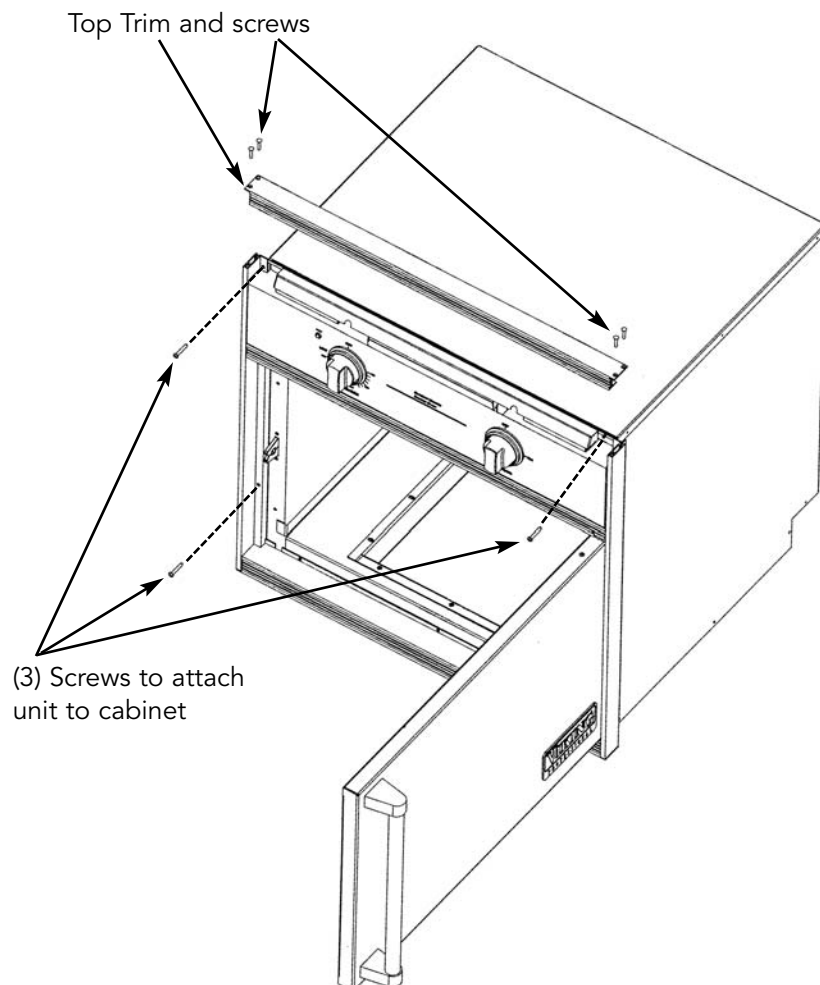


## UNDERCOUNTER



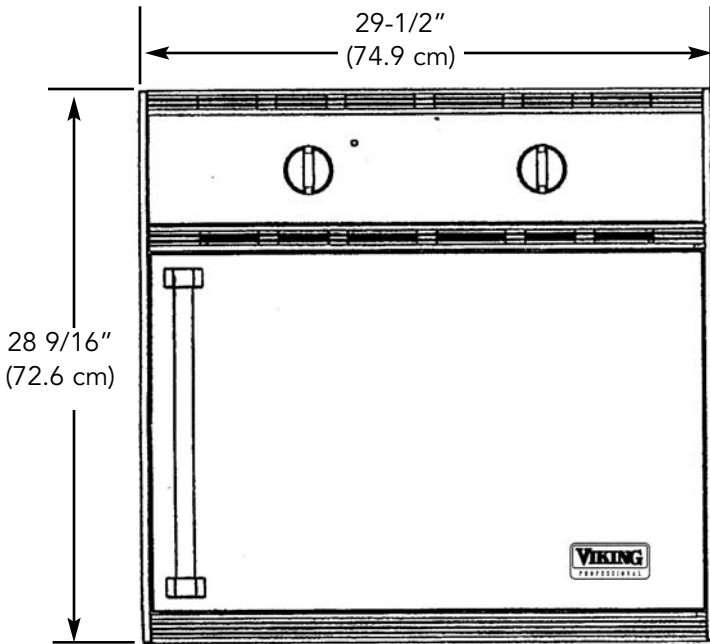
### To fasten unit to cabinet:

1. Remove the screws holding the top trim.
2. Remove top trim to gain access to screw openings.
3. Attach the unit to the cabinet using the three screws provided in locations shown.
4. Replace top trim and screws.

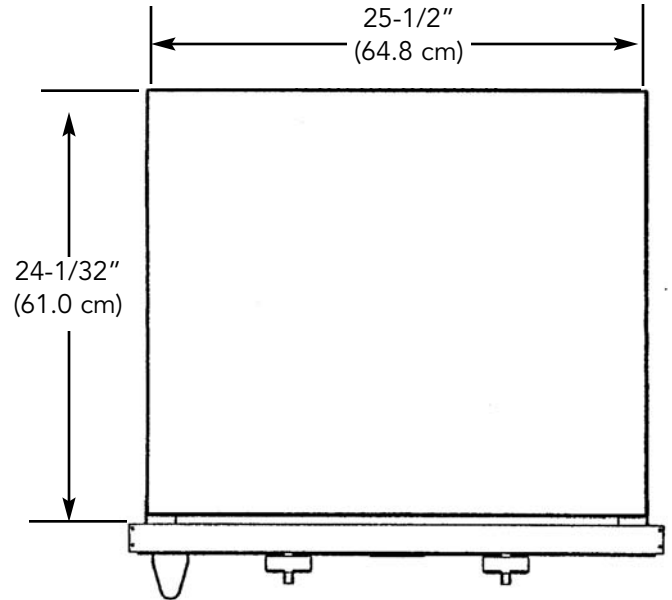


# OVEN DIMENSIONS

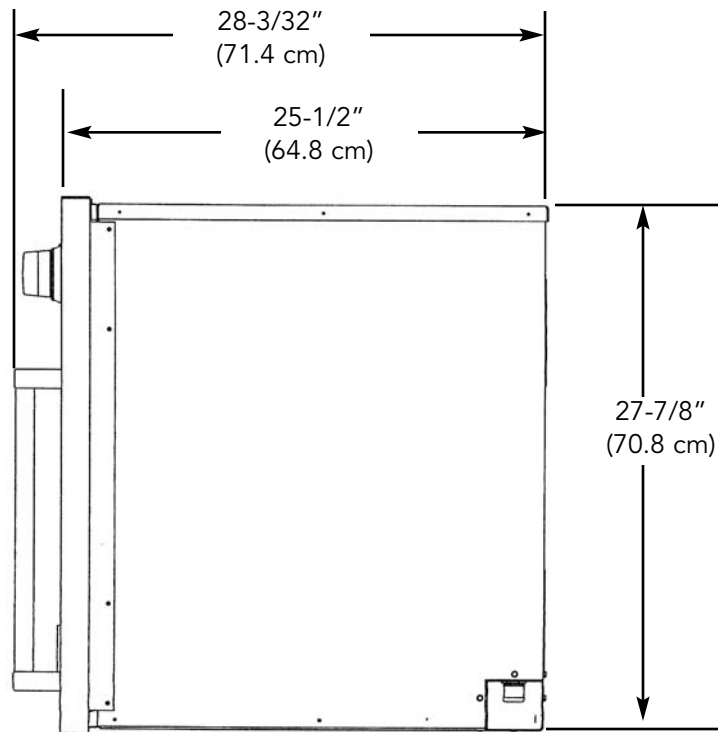
## FRONT VIEW

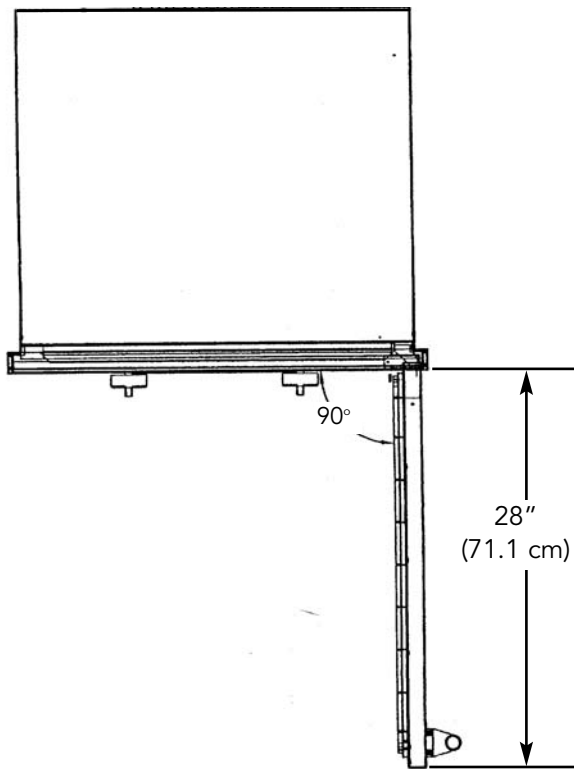


## TOP VIEW

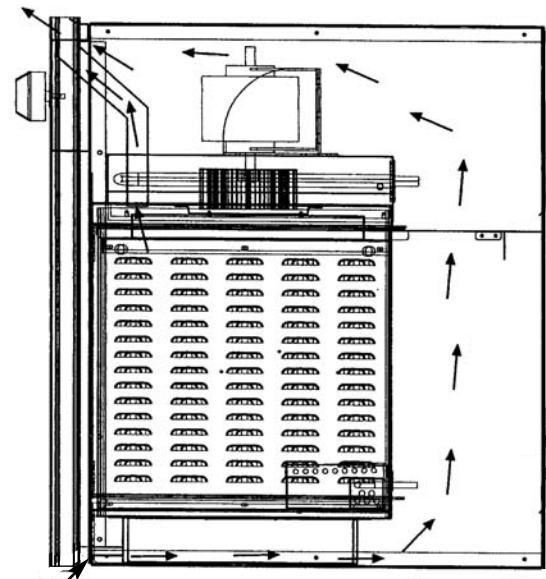


## SIDE VIEW





### Smoke Exhaust/Cooling Air Outlet



### Cooling Air Flow

## FINAL PREPARATION

1. Some stainless steel parts may have a plastic protective wrap which must be peeled off. All stainless steel body parts should be wiped with hot, soapy water and with a liquid cleaner designed for this material. If build-up occurs, do not use steel wool, abrasive cloths, cleaners, or powders!! If it is necessary to scrape stainless steel to remove encrusted materials, soak with hot, wet cloths to loosen the material, then use a wood or nylon scraper. Do not use a metal knife, spatula, or any other metal tool to scrape stainless steel! Scratches are almost impossible to remove.
2. The interior of the oven should be washed thoroughly with hot, soapy water to remove film residues and any installation dust or debris before being used for food preparation, then rinsed and wiped dry. Solutions stronger than soap and water are rarely needed.

## REPLACEMENT PARTS

Only authorized replacement parts may be used in performing service on the smoker oven. Do not repair or replace any part of the appliance unless specifically recommended in the manual. All other servicing should be referred to a qualified technician.