

## BURNER ADJUSTMENT

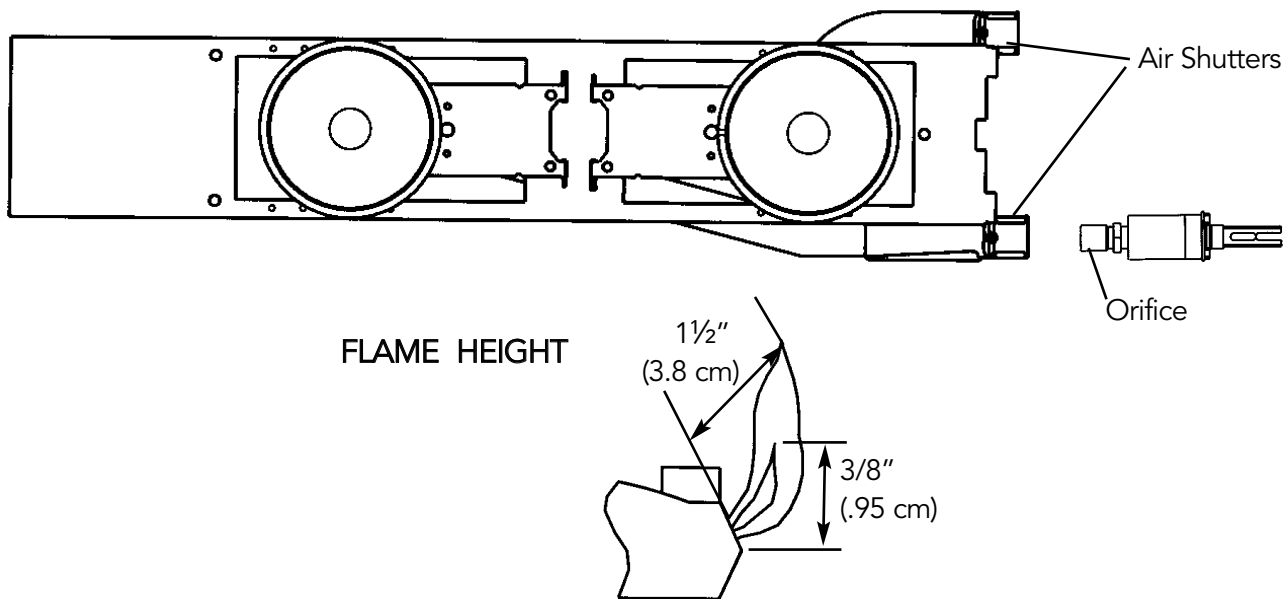
Each burner is tested and adjusted at the factory prior to shipment; however, variations in the local gas supply may make it necessary to adjust the burners. The flames of the burners should be visually checked and compared with flame height drawing below.

Flames should be blue and stable with no yellow tips, excessive noise or lifting. If any of these conditions exist, check if the air shutter or burner ports are blocked by dirt, debris, spider webs, etc. With a proper flame height, adjust the air shutter to obtain a blue flame with no yellow tipping that sits on the burner at the burner ports. The air shutter is locked in place by a set screw which must be loosened prior to lighting the burner for adjustments.

To access the air shutter on the side burners, remove the grates, burner bowls, and grate support. With a screw driver, loosen the lock-screw on the face of the air shutter. Light the burner and adjust according to the directions below.

1. If the flame is yellow, turn the air shutter counter clockwise to allow more air to the burner.
2. If the flame is noisy and lifting away from the burner, turn the air shutter clockwise to reduce the amount of air to the burner.

Once adjusted, turn the burner off, tighten the set screw on the air shutter, replace the grate support, burner bowls, and grates. To ensure proper installation of the side burners, slide opening in air shutters over the orifice located in the front of the unit.

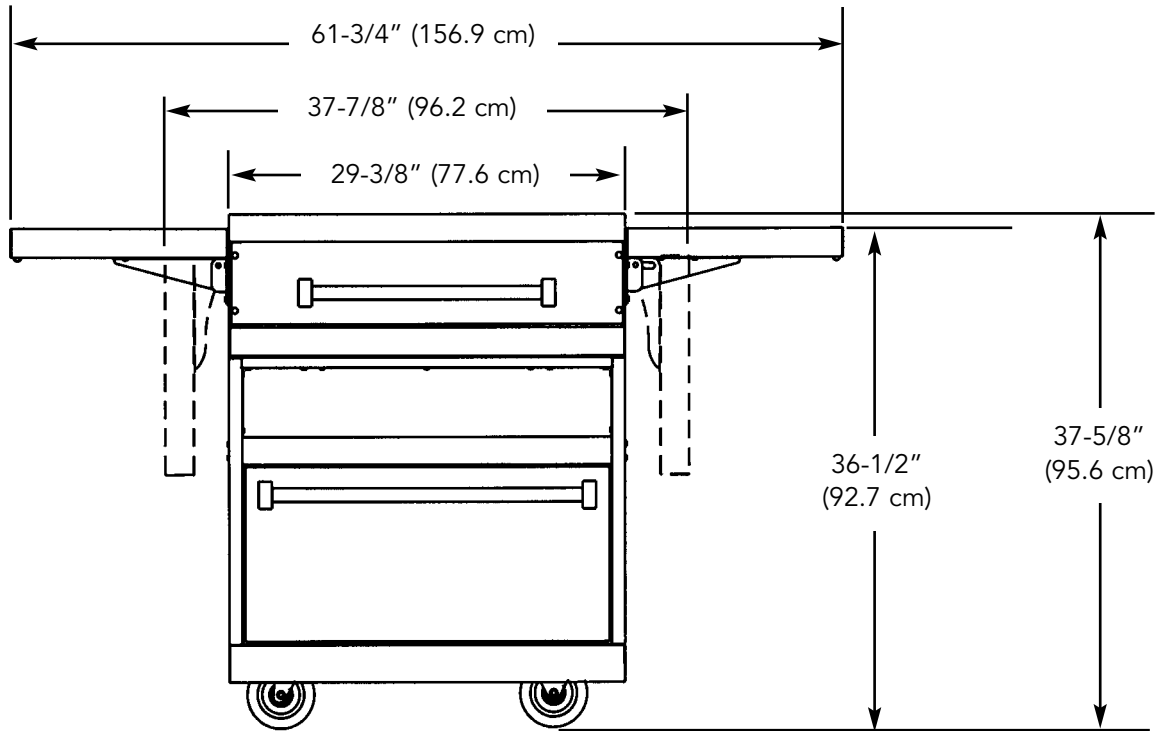


## BASIC SPECIFICATIONS

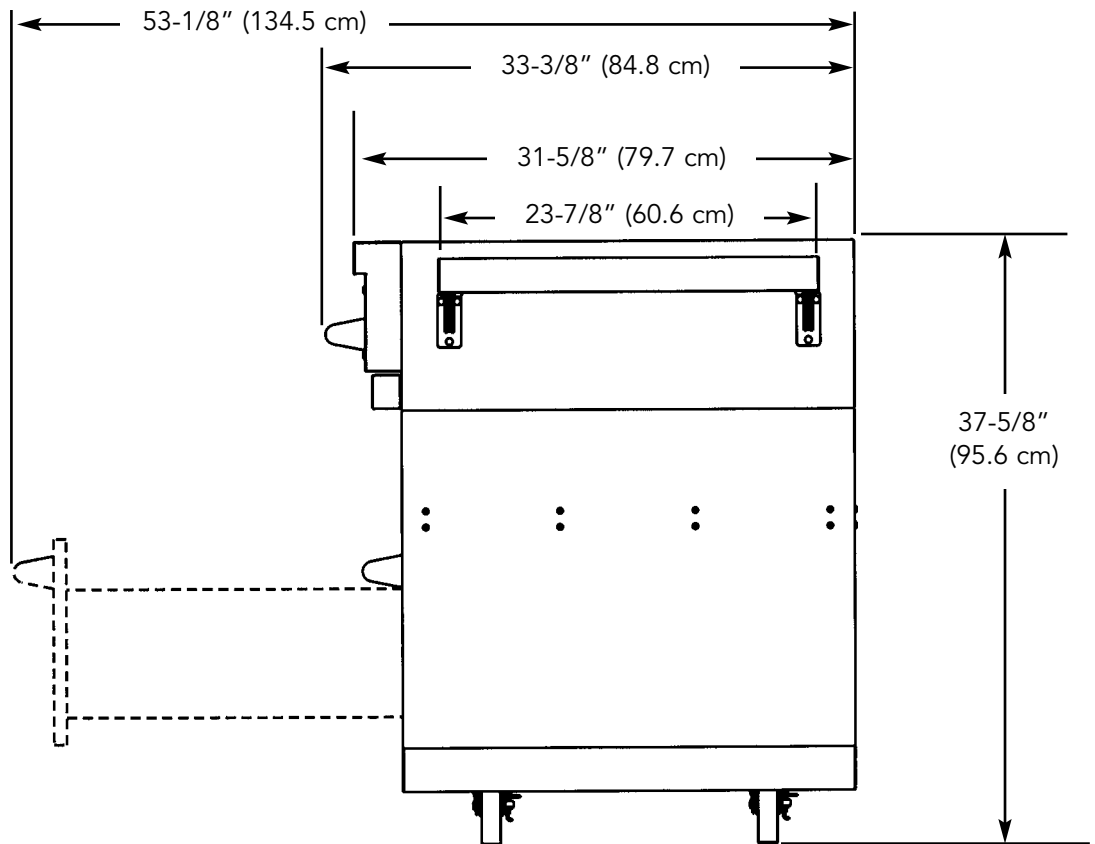
DESCRIPTION	QSC300	QSC412
Overall Width	61-3/4" (156.9 cm)	73-3/8" (186.4 cm)
Overall Height	37-5/8" (95.6 cm)	37-1/2" (95.3 cm)
Overall Depth	To end of landing ledge To end of knobs	31-5/8" (79.7 cm) 33-3/8" (84.8 cm)
Gas Requirements	N/A	Natural: Standard residential 1/2" (1.3 cm) ID gas service line LP/Propane: Equipped with high capacity hose/regulator assembly for connection to standard 5 gal, 20 lb. LP/Propane gas cylinder with Type 1, QCC-1 connection or standard residential 1/2" (1.3 cm) ID gas service line
Electrical Requirements	N/A	9 volt DC battery for electronic ignition
Surface Burner Rating	N/A	15,000 BTU Nat./13,500 LP/Propane (4.4 kW Nat./4.0 kW LP/Propane)
Approx. Shipping Weight	170 lbs. (76.5 kg.)	275 lbs. (123.8 kg)

# CART DIMENSIONS

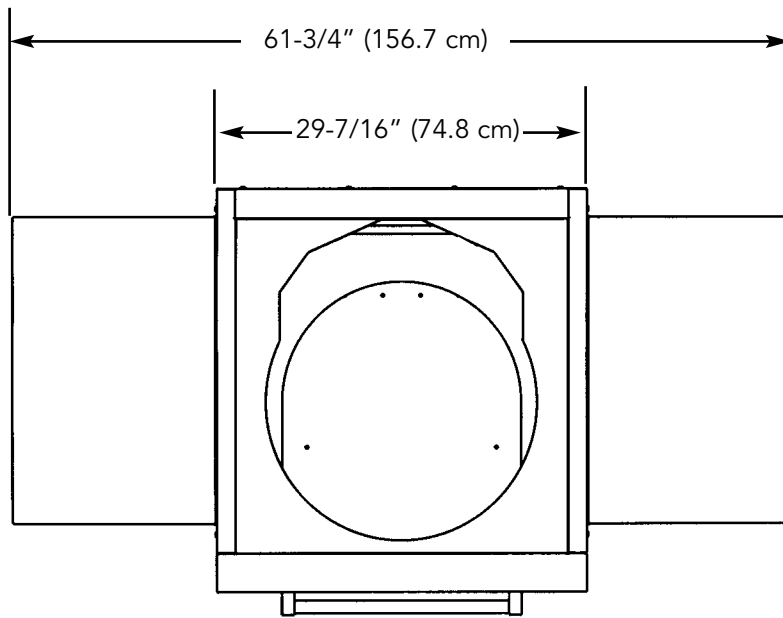
## 30" W. Cart - Front



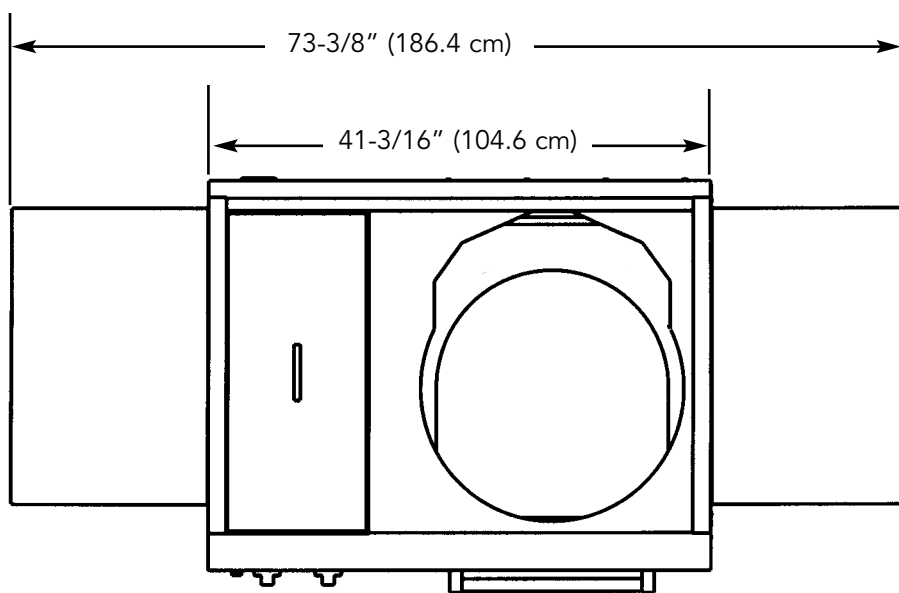
## 30" W. Cart - Side



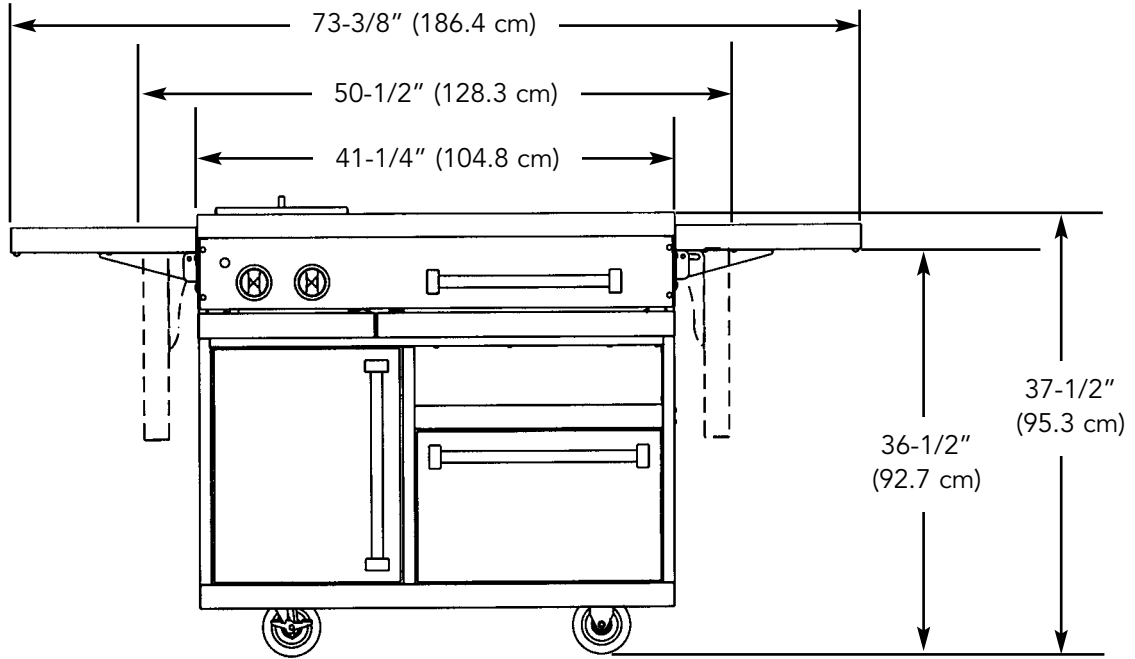
30" W. Cart - Top



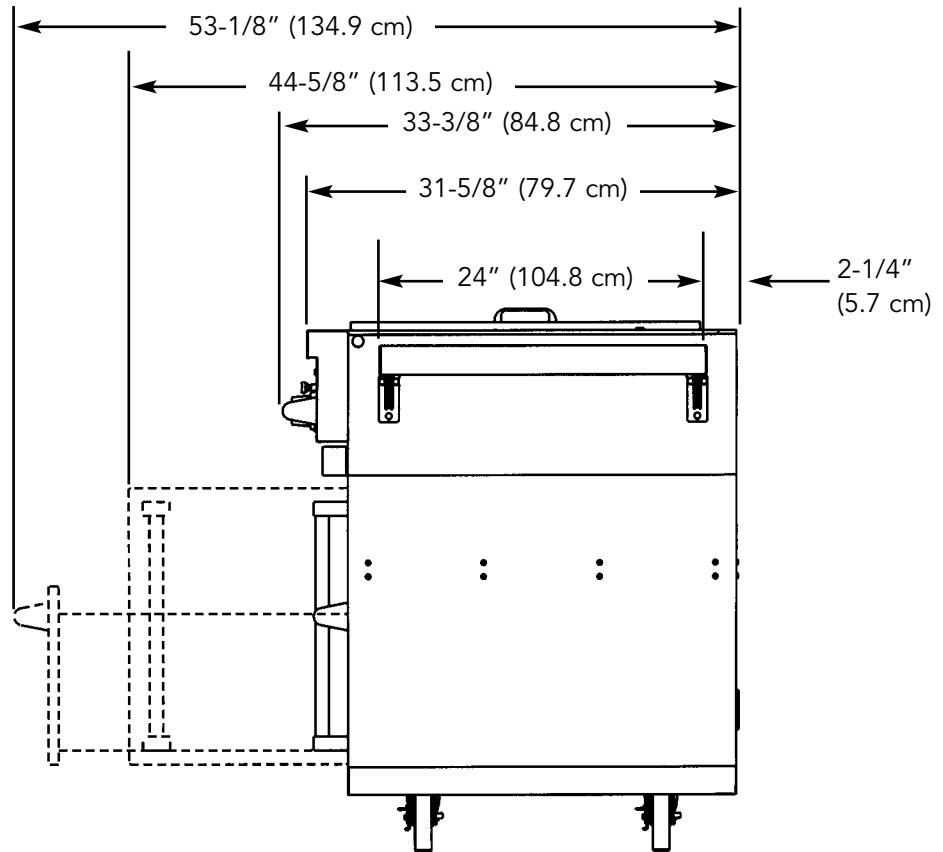
41" W. Cart - Top



41" W. Cart - Front



41" W. Cart - Side



Specifications subject to change  
For more product information, call 1-888-VIKING1 (845-4641), or visit the Viking web site at <http://www.vikingrange.com>