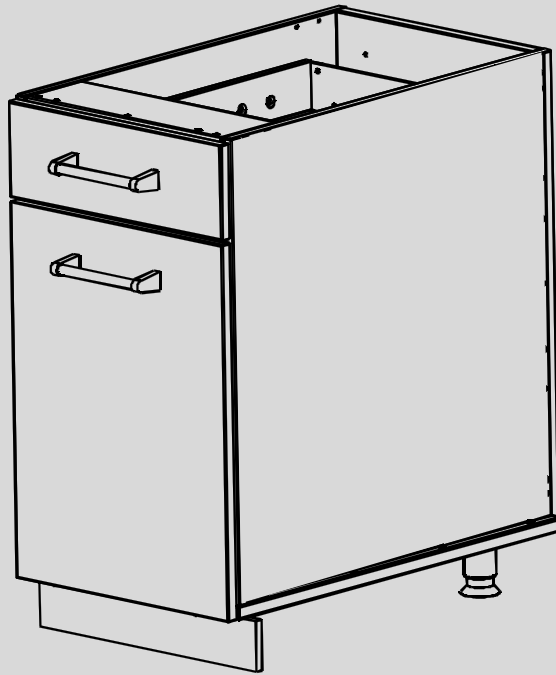


Viking Use/Installation Guide



Outdoor Cabinets

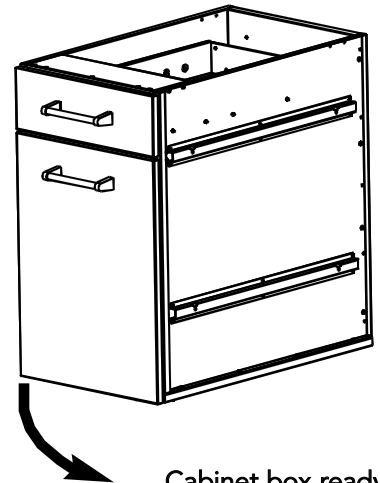
IMPORTANT - PLEASE READ AND FOLLOW

- Before beginning, please read these instructions completely and carefully.
- Do not remove permanently affixed labels, warnings, or plates from product. This may void the warranty.
- Viking outdoor stainless steel cabinets are not designed to be water tight. Water may enter cabinetry under certain conditions
- The installer should leave instructions with the consumer who should retain for future reference
- NEVER** use LP tanks inside any stainless steel cabinetry. Tanks must be located outside of the cabinetry at all times.

TO INSTALL CABINETS:

1. Verify cabinet product number(s) on box(es) to list of cabinets ordered.
2. Carefully unpack cabinets making sure not to scratch fronts. Front panels are protected by plastic coating (that must be removed after setup). Cabinets with interchangeable doors are shipped from the factory with opening from left to right as shown (See illustration #1).

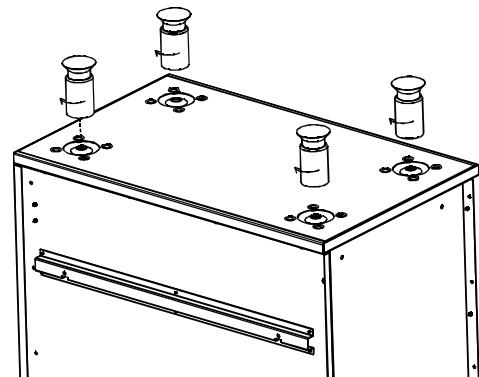
Illustration #1



Cabinet box ready
for assembly

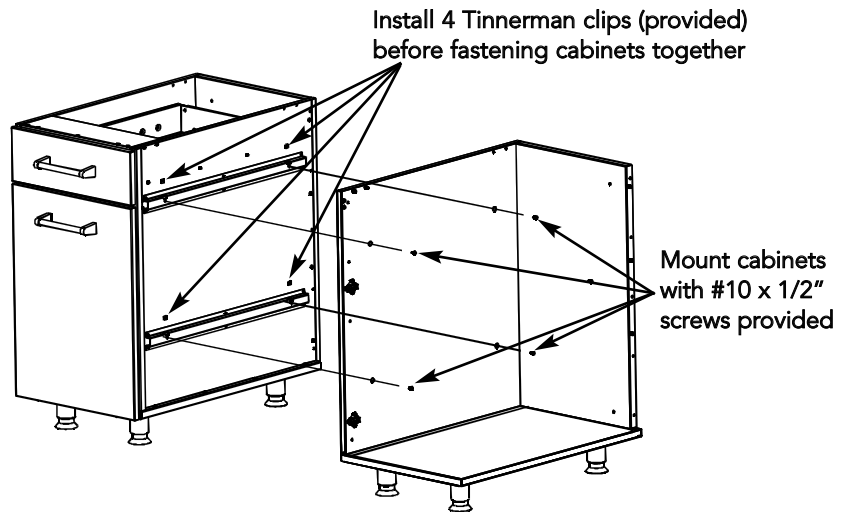
3. In cabinets with interchangeable doors, hardware package will contain hole covers and hardware to install.
4. Install 4 legs in the leg plates attached to bottom of each cabinet. Screw in place. (See illustration #2).

Illustration #2



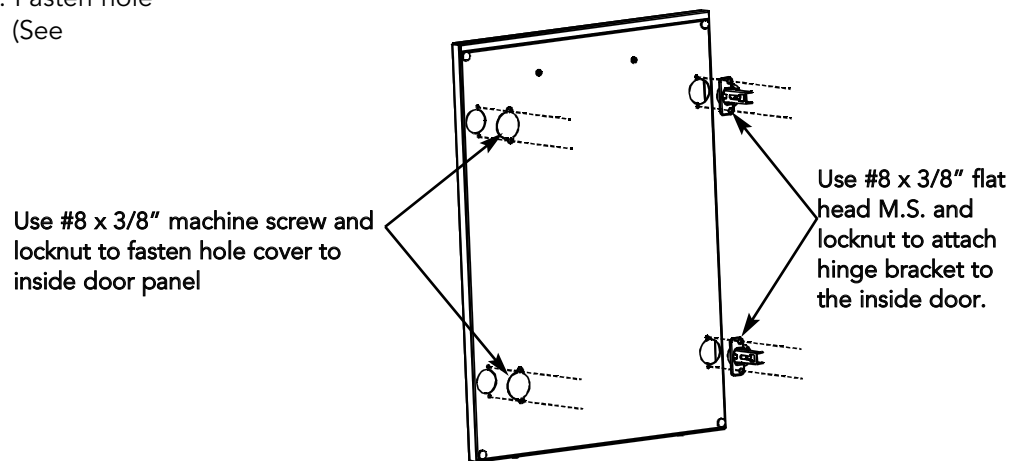
5. Place cabinet(s) in approximate final position. Level cabinets using leveling legs. Use 1/2" SMS screws provided to screw cabinets together. (See illustration #3).

Illustration #3



6. Determine appropriate hinge side for cabinets with interchangeable doors. Remove outside door panel. Install hinges by placing plate in hole in door and fasten in place with hardware provided. Screw hinge plates in appropriate pre-drilled holes in cabinet side. Fasten hole covers with hardware provided. (See Illustration #4).

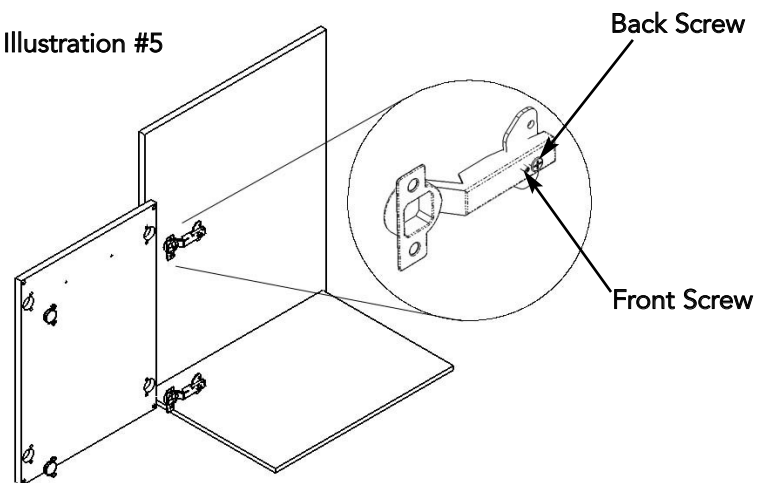
Illustration #4



7. Cabinet doors must be adjusted when cabinets are level in final position. There are two adjustment screws on the hinge receiver. (See Illustration #5)

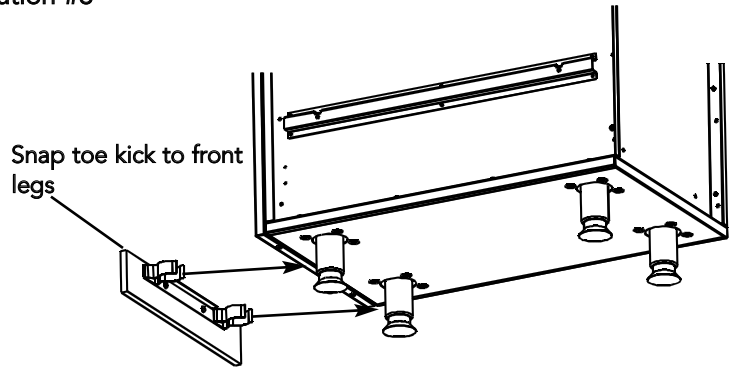
- The front screw is used to center the door in the opening. Turning the front screws in or out will center the door over the cabinet opening.
- The back screw is used to align the front of the door with the cabinet frame and secure the door to the cabinet. Slightly loosen the screw and slide door in or out. Retighten the screw to secure the door.

Illustration #5



8. If desired, snap toe kick included with each unit to front legs. (See illustration #6).

Illustration #6



9. **SIDE PANEL INSTALLATION (End of Run Only)**

- Remove all drawers. (If applicable)
- Remove all protective covering from panel and install using the #10 x 1/2" tek screws provided. (See Illustration #7)
- Attach toe kick to legs (See Illustration #6).

NOTE:

FOR WALL INSTALLATIONS:

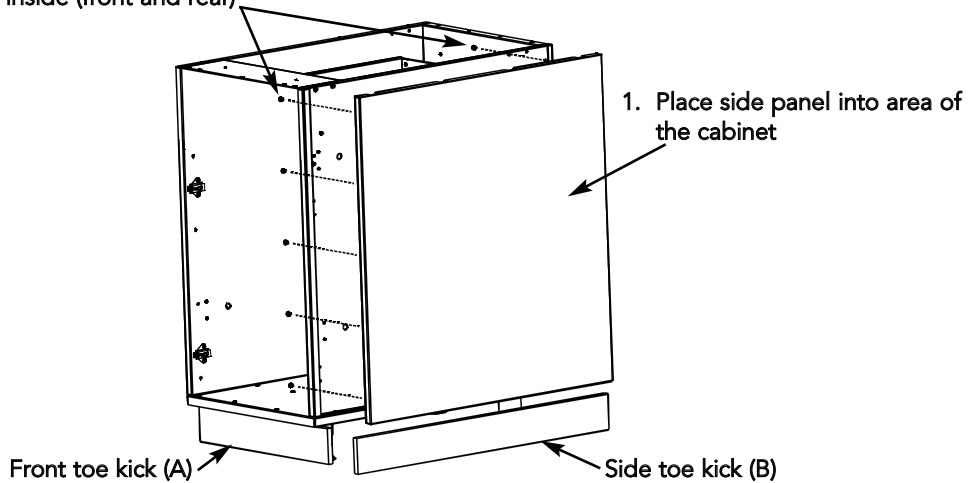
The front portion of the side toe kick must be shortened to match the front toe kick. (See Illustration #7). The plastic material can be cut with any common type wood saw blade.

FOR ISLAND INSTALLATIONS:

The side, front, and rear toe kick must be modified (See Illustration #7)

2. Attach from inside (front and rear)

Illustration #7



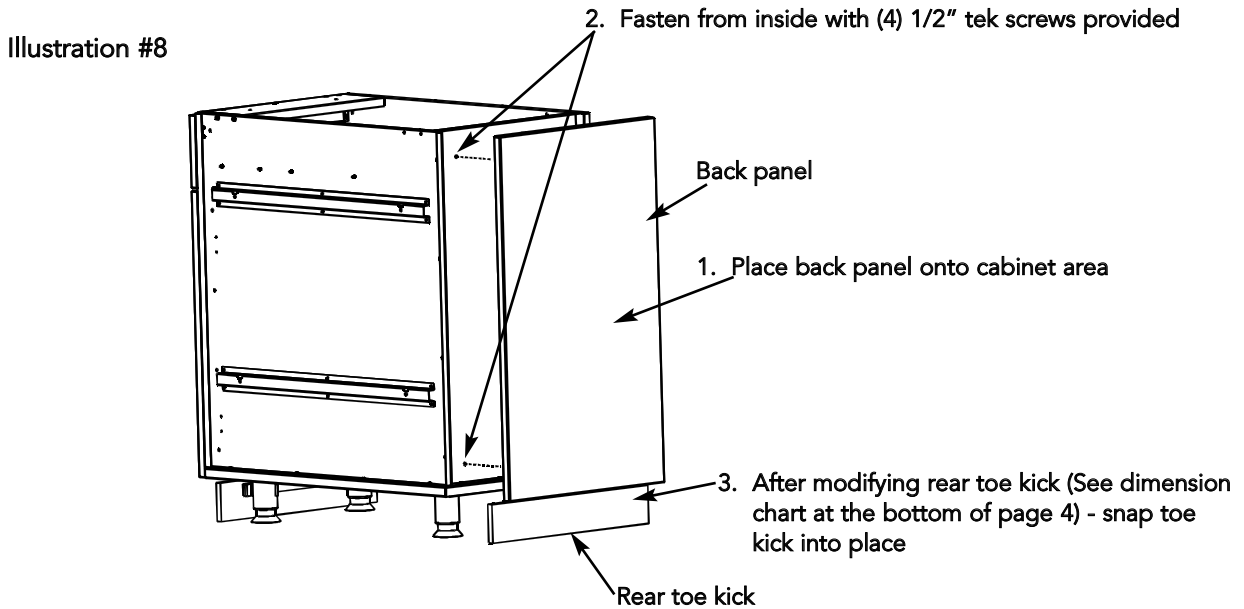
LH Side Panel Installation
(RH installs the same way)

| Toe Kick Dimensions | | |
|---------------------|-------------------|---------------------|
| | Wall Installation | Island Installation |
| Front Toe Kick (A) | 16 3/4" (42.5 cm) | 16 3/4" (42.5 cm) |
| Side Toe Kick (B) | 27 1/4" (61.6 cm) | 25 1/2" (64.8 cm) |
| Rear Toe Kick (C) | N/A | 16 3/4" (42.5 cm) |

10. BACK PANEL INSTALLATION

- Remove all protective covering from panel and install using the #10 x 1/2" tek screws provided. (See Illustration #8).
- Attach rear toe kick to legs. (See illustration #8).

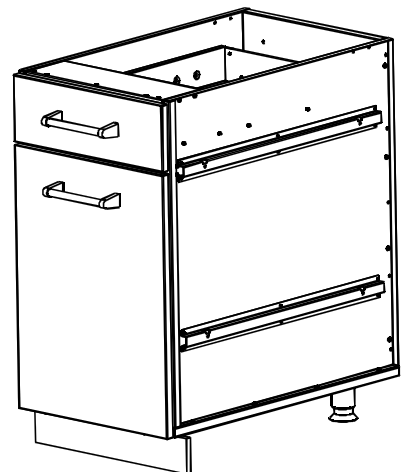
NOTE: For end of the run panels, the rear, front, and side toe kicks must be modified. (See illustrations #7 & #8)



11. INSTALL LOCALLY SUPPLIED COUNTERTOP

Viking outdoor cabinets are designed for a minimum countertop thickness of 1 1/8" (2.9 cm) such as you would find with granite or quartz material. If a countertop material thicker than 1 1/2" (3.8 cm) is used, the appliances should be shimmed to the proper height. For examples of common installations, see the Viking Stainless Steel Planning Guide.

12. Install Viking appliances per each appliance's installation instructions.



Complete Cabinet

BASIC SPECIFICATIONS

| | OVERALL WIDTH | OVERALL HEIGHT | OVERALL DEPTH |
|---------------------------|---------------------|--------------------|-------------------|
| VBBO1601 | 15 5/8" (39.7 cm) | 34 1/2" (87.6 cm) | 29 7/8" (75.9 cm) |
| VBBO2602 | 26 3/8" (67.0 cm) | 34 1/2" (87.6 cm) | 29 7/8" (75.9 cm) |
| VBO1811, including doors | 18" (45.7 cm) | 34 1/2" (87.6 cm) | 29 7/8" (75.9 cm) |
| VTPO1810, including doors | 18" (45.7 cm) | 34 1/2" (87.6 cm) | 29 7/8" (75.9 cm) |
| VBO1830, including doors | 18" (45.7 cm) | 34 1/2" (87.6 cm) | 29 7/8" (75.9 cm) |
| VSBO2402, including doors | 24" (61.0 cm) | 34 1/2" (87.6 cm) | 29 7/8" (75.9 cm) |
| VSBO3602, including doors | 36" (91.4 cm) | 34 1/2" (87.6 cm) | 29 7/8" (75.9 cm) |
| VQBO3021, VQWO3010 | 30 1/4" (76.8 cm) | 34 1/2" (87.6 cm) | 29 7/8" (75.9 cm) |
| VQBO4121, VQWO4120 | 41 7/8" (106.4 cm) | 34 1/2" (87.6 cm) | 29 7/8" (75.9 cm) |
| VQBO5322, VQWO5311 | 53 7/8" (136.8 cm) | 34 1/2" (87.6 cm) | 29 7/8" (75.9 cm) |
| VERO3200 | 32" (81.3 cm) | 68" (172.7 cm) | 29 7/8" (75.9 cm) |
| VEUO3202 | 32" (81.3 cm) | 68" (172.7 cm) | 29 7/8" (75.9 cm) |
| VGRO3200 | 32" (81.3 cm) | 68" (172.7 cm) | 29 7/8" (75.9 cm) |
| VGUO3202 | 32" (81.3 cm) | 68" (172.7 cm) | 29 7/8" (75.9 cm) |
| VURO3200 | 32" (81.3 cm) | 34 1/2" (87.6 cm) | 29 7/8" (75.9 cm) |
| VURO2400 | 24" (61.0 cm) | 34 1/2" (87.6 cm) | 29 7/8" (75.9 cm) |
| VBPFLR4 | 4" (10.2 cm) | 34 1/2" (87.6 cm)* | 3/4" (1.9 cm) |
| VFLR4 | 4" (10.2 cm) | 34 1/2" (87.6 cm)* | 3/4" (1.9 cm) |
| VSP30 | 29 7/8" (75.9 cm) | 34 1/2" (87.6 cm)* | 0" |
| VTSP30 | 29 7/8" (75.9 cm) | 68" (172.7 cm)* | 0" |
| VTHP30 | 29 7/8" (75.9 cm) | 34" (86.4 cm)* | 0" |
| VCF90 | 3" (7.6 cm)** | 34" (86.4 cm)* | 3/4" (1.9 cm) |
| VOCF90 | 33" (83.8 cm)** | 34 1/2" (87.6 cm)* | 3/4" (1.9 cm) |
| VCF135 | 3" (7.6 cm)** | 34 1/2" (87.6 cm)* | 3/4" (1.9 cm) |
| VOCF135 | 15 1/2" (39.4 cm)** | 34 1/2" (87.6 cm)* | 3/4" (1.9 cm) |
| VBP16 | 16" (40.6 cm) | 34 1/2" (87.6 cm)* | 3/4" (1.9 cm) |
| VBP18 | 18" (45.7 cm) | 34 1/2" (87.6 cm)* | 3/4" (1.9 cm) |
| VBP24 | 24" (61.0 cm) | 34 1/2" (87.6 cm)* | 3/4" (1.9 cm) |
| VBP26 | 26 3/8" (67.0 cm) | 34 1/2" (87.6 cm)* | 3/4" (1.9 cm) |
| VBP30 | 30 7/8" (78.4 cm) | 34 1/2" (87.6 cm)* | 3/4" (1.9 cm) |
| VBP32 | 32" (81.3 cm) | 34 1/2" (87.6 cm)* | 3/4" (1.9 cm) |
| VBP36 | 36" (91.4 cm) | 34 1/2" (87.6 cm)* | 3/4" (1.9 cm) |
| VBP41 | 41 7/8" (106.4 cm) | 34 1/2" (87.6 cm)* | 3/4" (1.9 cm) |
| VBP53 | 53 7/8" (136.8 cm) | 34 1/2" (87.6 cm)* | 3/4" (1.9 cm) |
| VTBP32 | 32" (81.3 cm) | 68" (172.7 cm)* | 3/4" (1.9 cm) |

*includes provided toe kick

**from inside of turn to next cabinet

CARE AND MAINTENANCE

CAUTION

- Do not use a metal knife or any other metal tool to scrape stainless steel parts.
- Do not permit citrus or tomato juice to remain on stainless steel surfaces, as citric acid will permanently discolor stainless steel. Wipe up any spills immediately.
- Do not use abrasive cleaners, steel wool pads, or abrasive cloths as they will scratch the product.

1. Carefully remove protective plastic peel coat from each stainless steel surface. Clean stainless with stainless steel cleaner in direction of grain. Clean the stainless with any product made for stainless. Always rub with the grain direction. Rubbing across the grain direction may produce minor scratches. Some good cleaners are Stainless Steel Magic™, and Sheila Shine™.
2. In a salt air environment, small amounts of rust may accumulate on stainless steel. A slightly more oily cleaner like Sheila Shine™ will protect better against oxidation or slight surface rust. Cleaning the surfaces periodically will protect the finish for many years.

PROFESSIONAL SERIES OUTDOOR CABINET WARRANTY

ONE YEAR FULL WARRANTY

Outdoor cabinets and all of their component parts, except as detailed below*, are warranted to be free from defective materials or workmanship in normal household use for a period of twelve (12) months from the date of original retail purchase. Viking Range Corporation, warrantor, agrees to repair or replace, at its option, any part which fails or is found to be defective during the warranty period.

*Decorative items are warranted to be free from defective materials or workmanship for a period of ninety (90) days from the date of original retail purchase. ANY DEFECTS MUST BE REPORTED TO THE SELLING DEALER WITHIN NINETY (90) DAYS FROM DATE OF ORIGINAL RETAIL PURCHASE.

TWO YEAR LIMITED WARRANTY

Any door hinges or drawer slides which fail due to defective materials or workmanship in normal household use during the second year from the date of original retail purchase will be repaired or replaced, free of charge for the part itself, with the owner paying all other costs, including labor.

LIFETIME LIMITED WARRANTY

Any stainless steel part which **rusts** through due to defective materials or workmanship in normal household use during the second through the useful lifetime of the cabinet from the date of original retail purchase will be repaired or replaced, free of charge for the part itself, with the owner paying all other costs, including labor.

This warranty extends to the original purchaser of the product warranted hereunder and to each transferee owner of the product during the term of the warranty.

This warranty shall apply to products purchased and located in the United States and Canada. Products must be purchased in the country where service is requested. Warranty labor shall be performed by an authorized Viking Range Corporation service agency or representative. Warranty shall not apply to damage resulting from abuse, accident, natural disaster, loss of electrical power to the product for any reason, alteration, outdoor use, improper installation, improper operation, or repair or service of the product by anyone other than an authorized Viking Range Corporation service agency or representative. This warranty does not apply to commercial usage. Warrantor is not responsible for consequential or incidental damage whether arising out of breach of warranty, breach of contract, or otherwise. Some jurisdictions do not allow the exclusion or limitation of incidental or consequential damages, so the above limitation or exclusion may not apply to you.

Owner shall be responsible for proper installation, providing normal care and maintenance, providing proof of purchase upon request, and making the appliance reasonably accessible for service. If the product or one of its component parts contains a defect or malfunction during the warranty period, after a reasonable number of attempts by the warrantor to remedy the defects or malfunctions, the owner is entitled to either a refund or replacement of the product or its component part or parts. Warrantor's liability on any claim of any kind, with respect to the goods or services covered hereunder, shall in no case exceed the price of the goods or service or part thereof which gives rise to the claim.

WARRANTY SERVICE: Under the terms of this warranty, service must be performed by a factory authorized Viking Range Corporation service agent or representative. Service will be provided during normal business hours, and labor performed at overtime or premium rates shall not be covered by this warranty. To obtain warranty service, contact the dealer from whom the product was purchased, an authorized Viking Range Corporation service agent, or Viking Range Corporation. Provide model and serial number and date of original purchase. For the name of your nearest authorized Viking Range Corporation service agency, call the dealer from whom the product was purchased or Viking Range Corporation.
IMPORTANT: Retain proof of original purchase to establish warranty period.

The return of the Owner Registration Card is not a condition of warranty coverage. You should, however, return the Owner Registration Card so that Viking Range Corporation can contact you should any question of safety arise which could affect you.

Any implied warranties of merchantability and fitness applicable to the above described door hinges, drawer slides, and stainless steel parts are limited in duration to the period of coverage of the applicable express written limited warranties set forth above. Some jurisdictions do not allow limitations on how long an implied warranty lasts, so the above limitation may not apply to you. This warranty gives you specific legal rights, and you may also have other rights which may vary from jurisdiction to jurisdiction.

Specifications subject to change without notice



Viking Range Corporation
111 Front Street
Greenwood, Mississippi 38930 USA
(662) 455-1200

For more product information
call 1-888-VIKING1 (845-4641),
or visit the Viking Web site
vikingrange.com