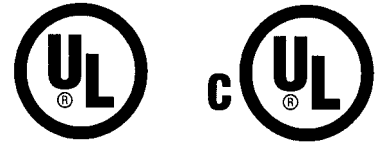


# INSTALLATION INSTRUCTIONS

## UNDERCOUNTER TRASH COMPACTOR

VIKING RANGE CORPORATION  
111 Front Street  
Greenwood, Mississippi 38930 USA  
(662) 455-1200



**Retain for Future Reference**

### IMPORTANT - PLEASE READ AND FOLLOW

- Before beginning, please read these instructions completely and carefully.
- Do not remove permanently affixed labels, warnings, or plates from the product. This may void the warranty.
- Please observe all local and national codes and ordinances.
- Please ensure that this product is properly grounded.
- The installer should leave these instructions with the consumer who should retain for local inspector's use and for future reference

### BEFORE YOU START INSTALLATION

Proper installation is your responsibility. Make sure you have everything necessary for correct installation. It is the personal responsibility and obligation of the customer to contact a qualified installer to assure that electrical installation meets all local and national codes and ordinances.

Grounded electrical outlet is required. (See "Electrical Requirements")

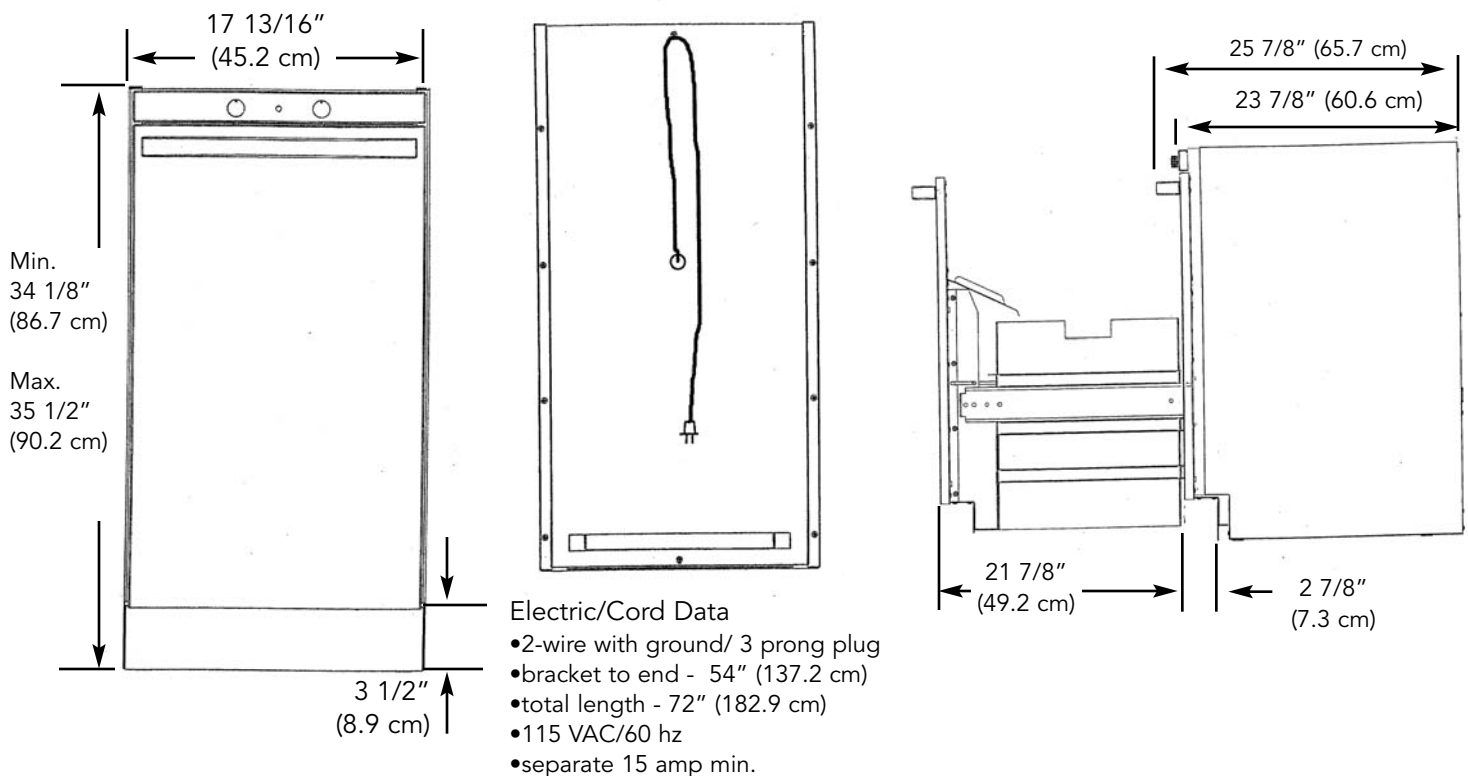
Check the location where the compactor will be installed. Compactor is designed for recessed installation. Cabinet opening should be square. You should be able to fully open the compactor drawer. Allow 25" (63.5 cm) in front of compactor to remove drawer. Six inches of clearance is needed on the right side of the compactor drawer to be able to remove basket/bag.

**WARNING: FIRE HAZARD**  
Do not let any item fall or collect behind the compactor. To do so may result in a fire.

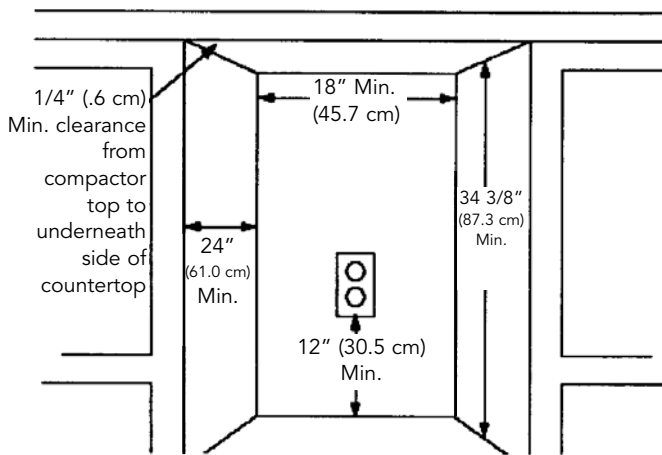
FRONT

REAR

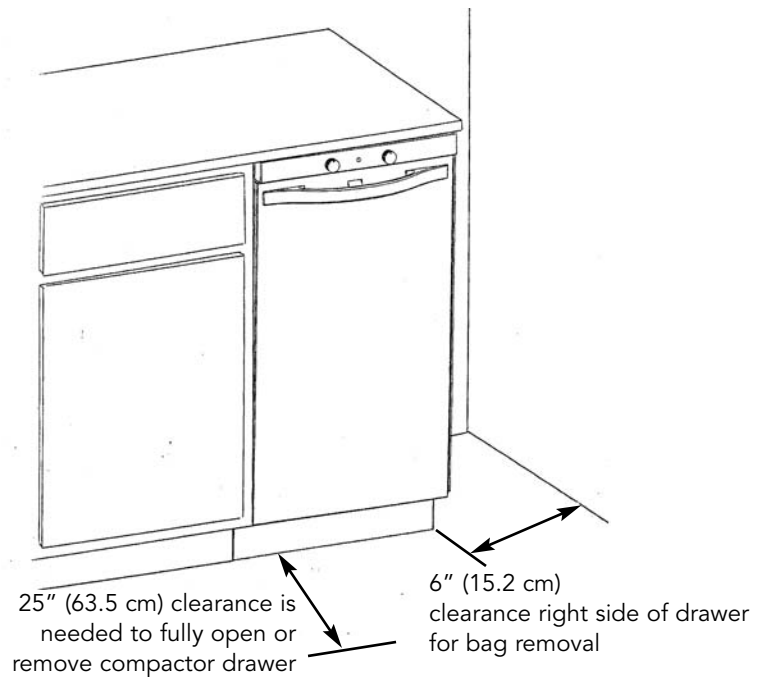
SIDE



## CUTOUT



## CLEARANCES



## ELECTRICAL REQUIREMENTS

**Important: Observe all governing codes and ordinances.**

### **WARNING: ELECTRICAL SHOCK HAZARD**

- Electrical ground is required on this appliance.
- Improper connection of the equipment-grounding conductor can result in electric shock.
- Check with a qualified electrician if you are in doubt as to whether the appliance is properly grounded.
- Do Not modify the plug on the power supply cord. If it will not fit the outlet, have a proper outlet installed by a qualified electrician.
- Do Not use an extension cord with this appliance. Such use may result in a fire, electrical shock or other personal injury.
- Do Not have a fuse in the neutral or grounding circuit. A fuse in the neutral or grounding circuit could result in electrical shock.

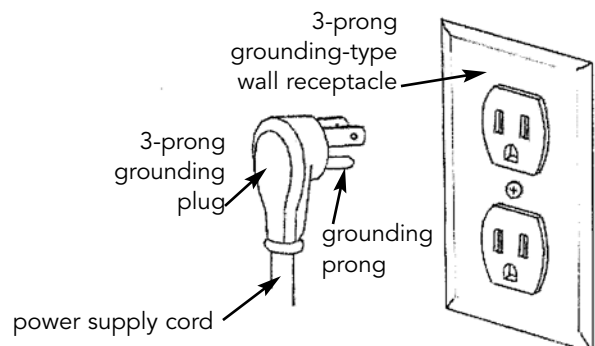
**Failure to follow these instructions could result in fire, electrical shock or other personal injury.**

A 115 volt, 60 Hz fused electrical supply is required. (Time-delay fuse or circuit breaker is recommended). It is recommended that a separate circuit serving only this appliance be provided.

## RECOMMENDED GROUNDING METHOD

**Do Not, under any circumstances, remove the power supply cord grounding prong.**

For your personal safety, this appliance must be grounded. This appliance is equipped with a power supply cord having a 3-prong grounding plug. To minimize possible shock hazard, the cord must be plugged into a mating 3-prong, grounding type, wall receptacle, grounded in accordance with the National Electrical Code ANSI/NFPA 70 latest edition and all local codes and ordinances. If a mating wall receptacle is not available, it is the personal responsibility and obligation of the customer to have a properly grounded, 3-prong, wall receptacle installed by a qualified electrician.



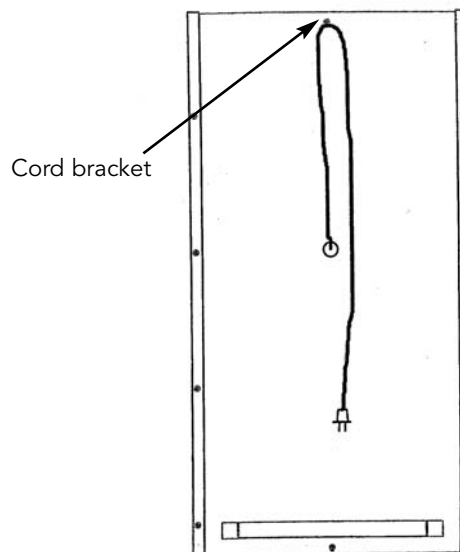
## INSTALLATION

Begin with compactor in room where it will be installed.

### **CAUTION: PRODUCT/FLOOR DAMAGE**

- Do not grasp the console to move the compactor.
  - Before moving compactor across floor, slide compactor onto cardboard or hardboard.
- Failure to follow these instructions may result in damage to floor covering or product.**

1. Remove compactor from shipping carton. Remove all protective packaging materials such as tape and shipping pads. Waxy residue from protective shipping material may be removed with a mild solution of liquid household cleanser and water.
2. Check that power supply cord is attached to the cord bracket on the rear of the compactor.
3. Measure the height of the cabinet opening from the underside of the countertop to floor. Subtract 1/4" (.6 cm) from this measurement. Adjust compactor to this height using pliers to lower or heighten the compactor leveling feet as needed.



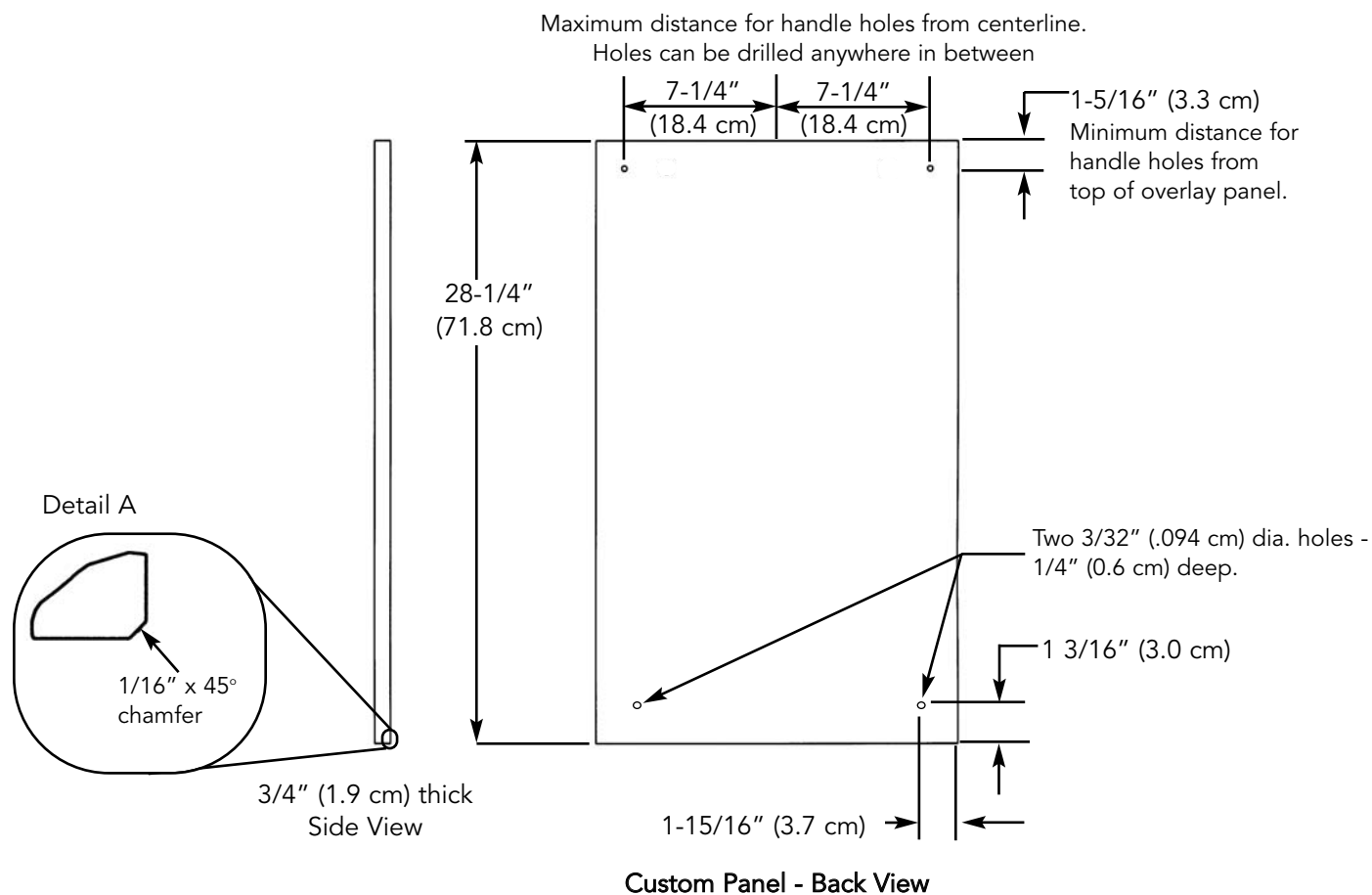
**Skip to page 6 if not installing a custom front panel to complete installation.**

## CUSTOM FRONT PANEL INSTALLATION (DFC MODELS)

The Designer Full Overlay model should be installed with a locally supplied custom front panel. All parts needed to install the panel come standard with the Designer Full Overlay model trash compactor. A handle should be used on the custom front panel rather than a knob because a knob does not provide enough grip. Also note that the handle should be attached to the panel before installing the front panel onto the compactor. See "Installing Custom Front" section below for detailed information on attaching front panel to compactor. Mounting hardware for the handle must be flush to the overlay panel.

### Custom Front Panel Dimensions

Width	17-3/16" (43.7 cm)
Height	28-1/4" (71.8 cm)
Thickness	3/4" (1.9 cm)
Weight	up to 25 pounds (11.4 kg.)



## Installing Custom Front (DFC models only)

1. Prepare custom front panel and handle. (See information on p. 4 for details/dimensions.)
2. Place prepared custom front panel on the ledge of the unit. (See Illustration #1).
3. Attach to unit by placing two (2) #10 x 1/2" screws in the lower most holes and screwing through the pilot holes on the overlay. (See illustration #2). Loosen screws and center panel if needed. Retighten lower most screws after adjusting.

Illustration #1

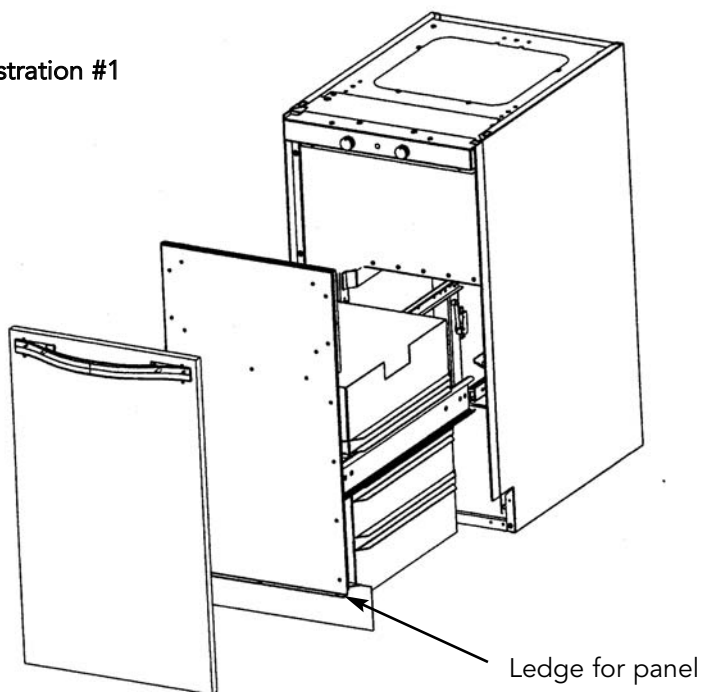
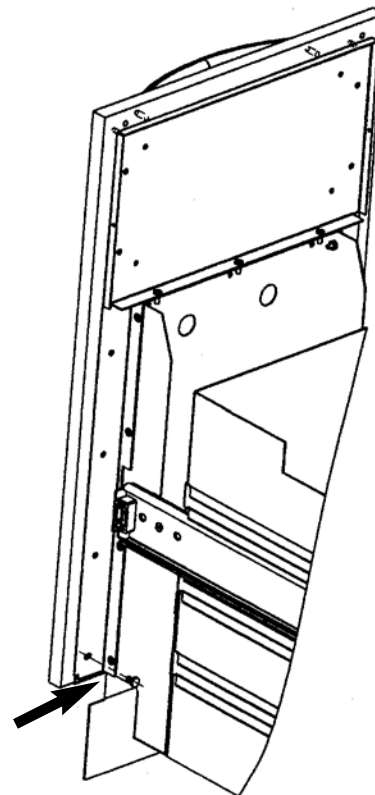


Illustration #2



4. Secure the overlay panel by using the remaining seventeen (17) #10 x 1/2 screws. (See illustration #3).
5. Install the storage compartment cover with two (2) #8 x 3/8" wafer head screws. (See Illustration #4).

Illustration #3

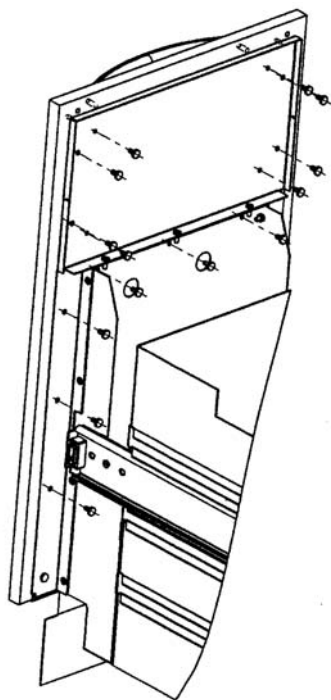
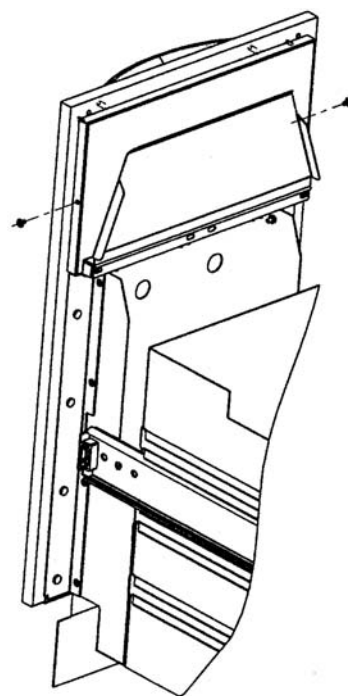


Illustration #4



## COMPLETING INSTALLATION

### **WARNING: PERSONAL INJURY HAZARD**

When moving or lifting the compactor, use a glove to protect and cushion you hand.

Failure to follow these instructions may result in personal injury.

### **CAUTION: FLOOR DAMAGE**

Do not allow the rear frame of the compactor to touch the floor when lifting or rolling. Doing so could damage floor covering.

1. Move compactor to final position. Turn key/knob to OFF position.
2. Place level on top of compactor. Check that compactor is level from front to back and side to side. Adjust the four leveling feet until compactor is level. Allow at least 1/4" (.6 cm) clearance between the compactor top and countertop.
3. After leveling legs, install the anti-tip bracket. (See instructions below)
4. Read use and care manual to fully understand your new compactor. Keep all literature in a safe place for future reference.

### Installing the Anti-Tip Bracket:

1. After leveling legs, measure from the floor to the top of the compactor base plate from the backside. See Figure 1. This "A" measurement will determine the height needed for the bracket.
2. Measure from the floor to the bottom of the bracket with the measurement "A" + 1/8" (0.3 cm) and mark the two holes with a marker or pencil. Place the two screws into the bracket and tighten firmly to wall. See Figure 2. Note: Place the screws into a wall stud for better stability.
3. Plug power supply cord into grounded outlet. Move compactor into final position, making sure the bracket fits inside the opening in the rear of the unit.

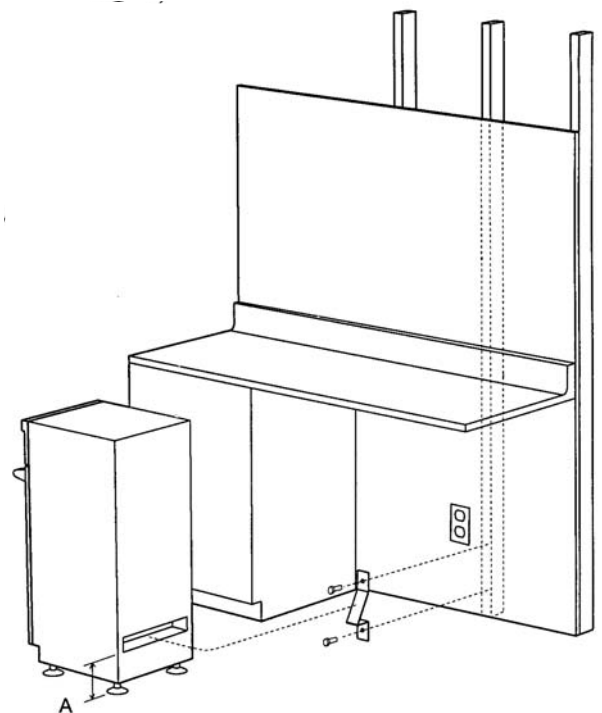
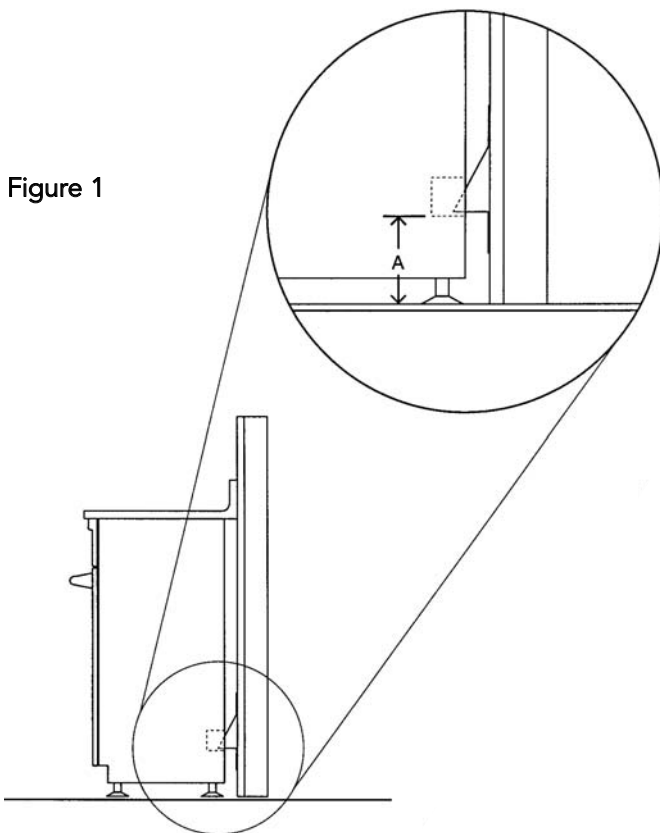
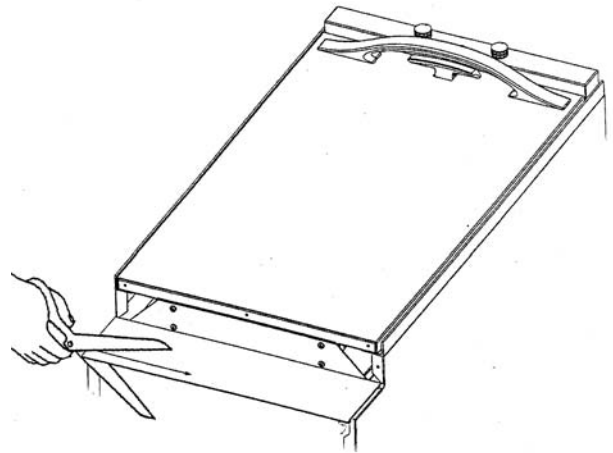
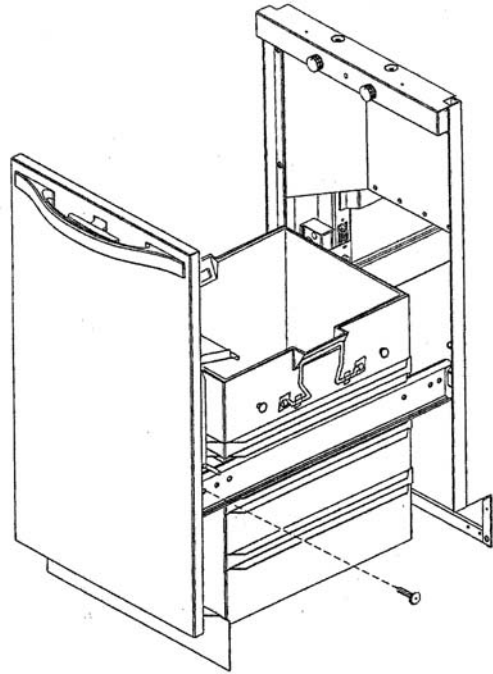


Figure 2

## ADJUSTING TOE PLATE

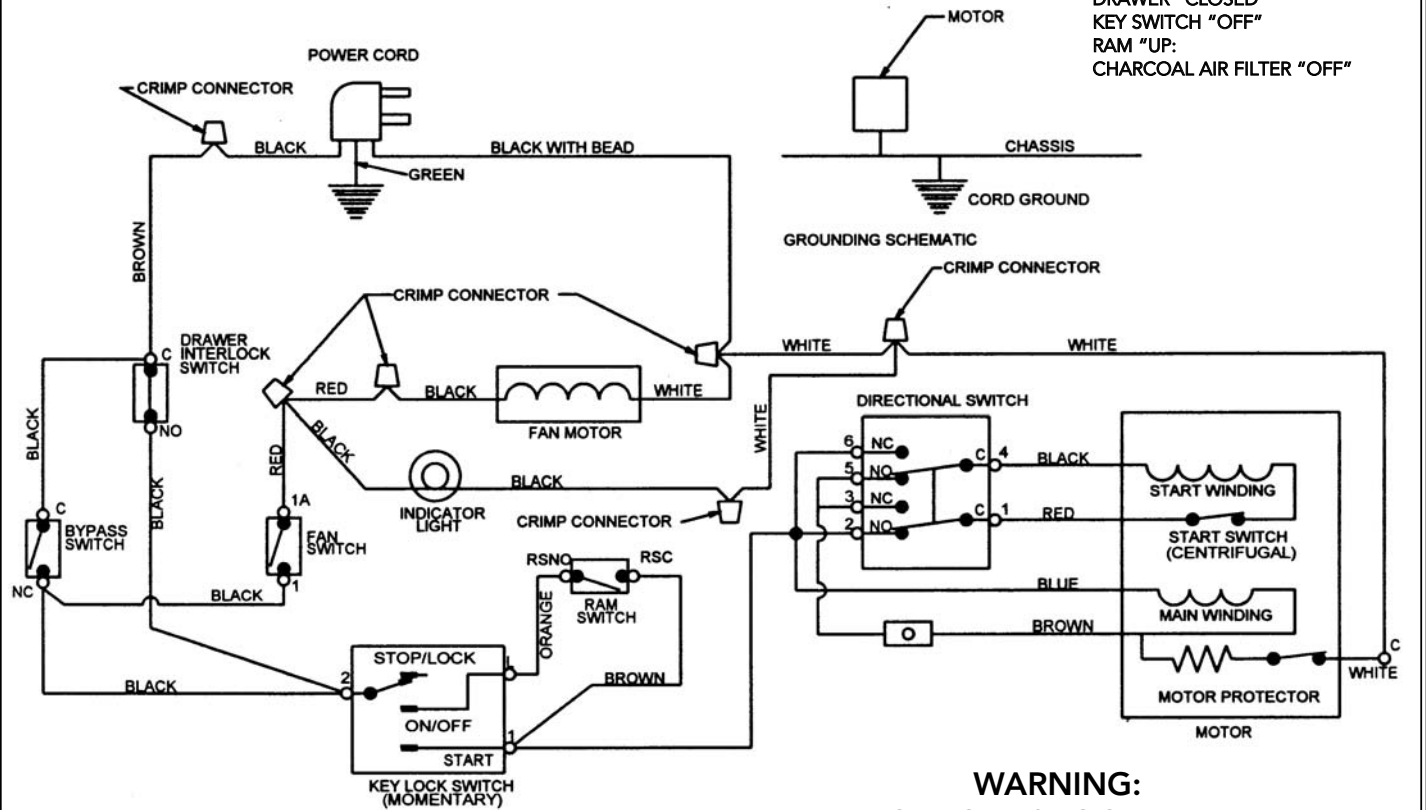
If the toe plate rubs the floor covering, the toe plate clearance may be changed as follows:

1. Mark on each side of the toe plate the amount of toe plate that rubs the floor.
2. Fully open compactor drawer. Remove drawer retaining screws from track assembly on each side of drawer. Carefully remove the drawer from the track assembly. Place drawer on its back on top of two corner posts from carton.
3. With a ruler and a pencil or chalk, draw a line where the toe plate interferes with the floor covering.
4. Use a pair of scissors or a utility knife to cut toe plate along line.
5. Carefully slide drawer back into track assembly. Check the toe plate clearance. If toe plate still rubs floor covering, repeat steps 1-5.
6. When toe plate is adjusted properly, reattach drawer to track assembly with the two retaining screws.



# WIRING DIAGRAM 18" W. TRASH COMPACTOR

DIAGRAM SHOWN WITH COMPONENTS IN THE FOLLOWING POSITIONS:  
DRAWER "CLOSED"  
KEY SWITCH "OFF"  
RAM "UP":  
CHARCOAL AIR FILTER "OFF"



**WARNING:**  
**ELECTRICAL SHOCK HAZARD**  
Disconnect from electric supply before servicing.

VIKING RANGE CORPORATION  
111 Front Street • Greenwood, Mississippi 38930 USA • (662) 455-1200

Specifications subject to change without notice