

INSTALLATION/USE INSTRUCTIONS

FOOD WASTE DISPOSER

VIKING RANGE CORPORATION
111 Front Street
Greenwood, Mississippi 38930 USA
(662) 455-1200

TOOLS AND MATERIALS YOU WILL NEED:

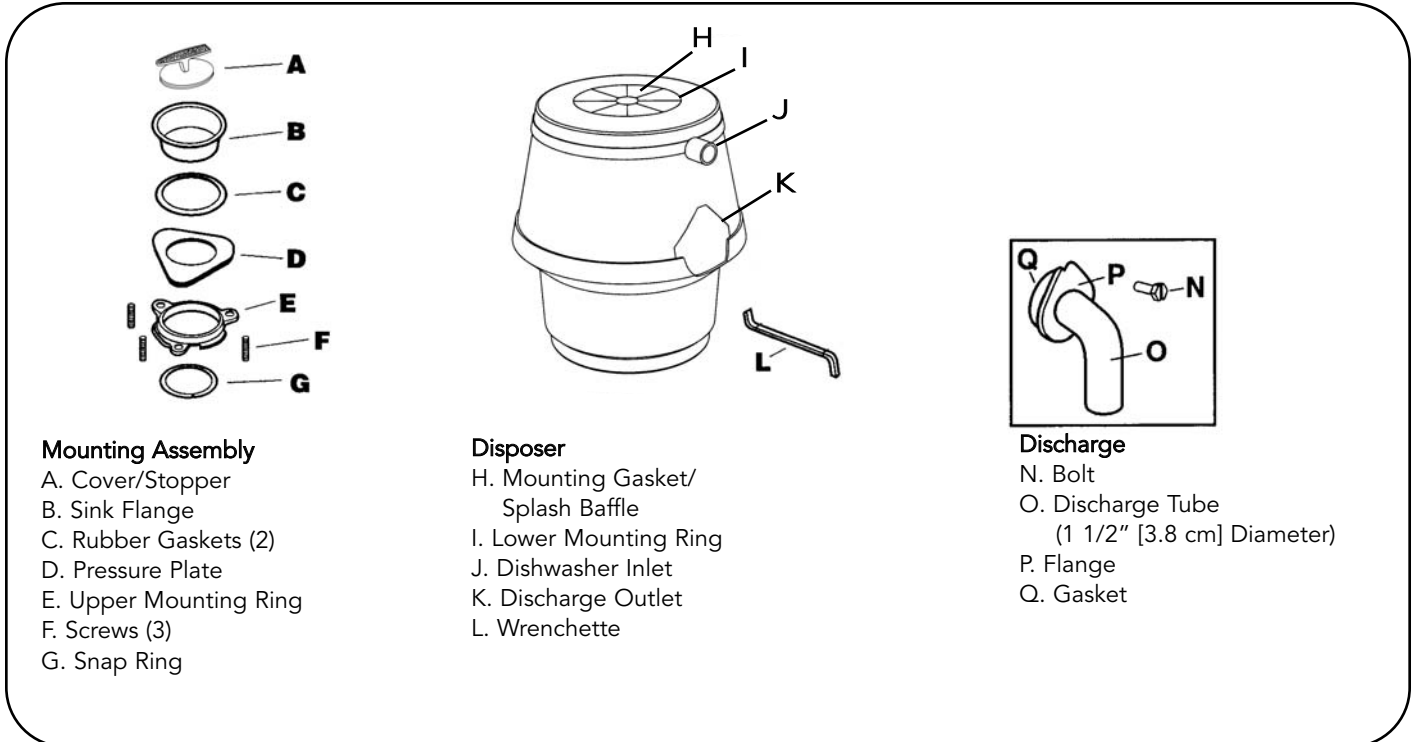
Slotted Screwdriver, Adjustable Pliers, Plumber's compound, Electrical Tape



TOOLS AND MATERIALS YOU MAY NEED:

Phillips Screwdriver, Drain Auger, Hammer, Hacksaw, Pipe Wrench, 3/8 inch Electrical Clamp Connector, Wire Nuts (2), Second 1 1/2 inch Drain Trap, Water Hose Clamp, Copper Ground Wire, Dishwasher Drain Connection Kit, Air Gap, Electrical On/Off Switch, Drain Tube Extension

Read through the complete instructions before installing the disposer. Determine which of the tools and materials you will need before you begin. Make sure you have all necessary disposer parts before installing the disposer (see part identification diagram below).



SAFETY SYMBOLS

CAUTION

Caution indicates a potentially hazardous situation which, if not avoided, may result in minor or moderate injury.

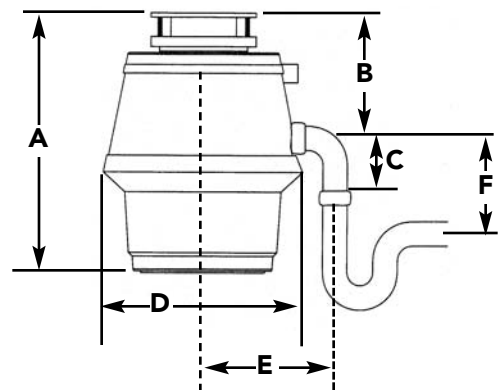
WARNING

Warning indicates a potentially hazardous situation which, if not avoided, could result in death or serious injury.

INSTALLATION INSTRUCTIONS

1 CHECK INSTALLATION DIMENSIONS

- A: Disposer height
- B: Distance from bottom of sink bowl to centerline of discharge outlet. (Add 1/2 inch [1.3cm] when stainless steel sink is used.)
- C: Distance from centerline of the discharge outlet to end of discharge tube.
- D: Disposer width
- E: Distance from disposer vertical centerline to centerline of P-trap connection.
- F: Centerline of disposer discharge to centerline at waste pipe entering wall. (Dimension "F" must be greater than 1/4 inch [0.6 cm] to prevent standing water in disposer.)

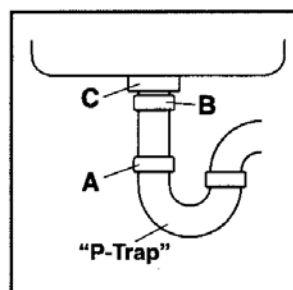


If replacing an existing disposer, skip ahead to Instruction 6. If this is a first time installation, continue with **Instruction 2**.

Dimension	A	B	C	D	E
	13 11/16" (34.8 cm)	6 13/16" (17.3 cm)	4" (10.2 cm)	10 1/16" (25.6 cm)	5 3/4" (14.6 cm)

2 DISCONNECT SINK DRAIN

1. Loosen nut (A) at top of "P-trap" with pipe wrench (see Figure 2-1).
2. Loosen nut (B) at top of extension pipe. Remove extension pipe.
3. Loosen nut (C) at base of sink flange. (If nut is corroded or too tight, apply penetrating lubricant.)
4. Push sink flange up through sink hole and remove it (see Figure 2-2).
5. Clean sink flange area of any putty or other material.



2-1



2-2