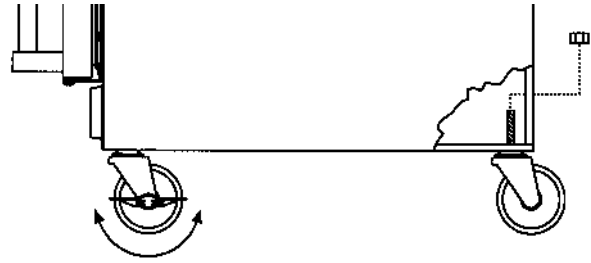


## CASTERS

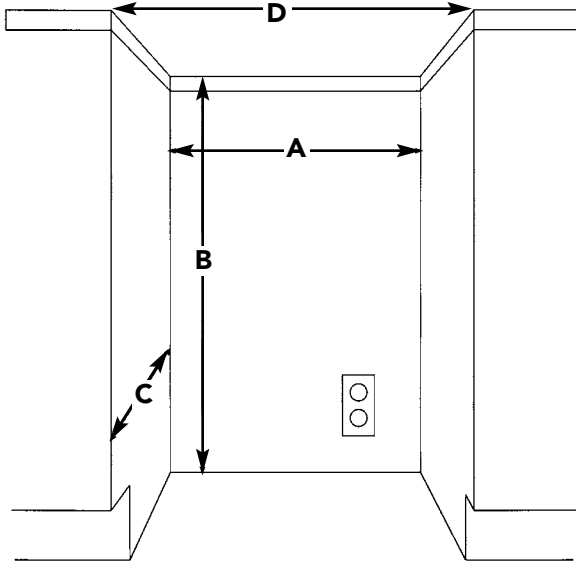
Your beverage dispenser is equipped with four casters. The front two casters can be locked.

For built-in applications, the four casters can be removed by removing the nut located inside the dispenser cabinet and then pulling the threaded caster spindle through the base of the unit.



Lock and Unlock

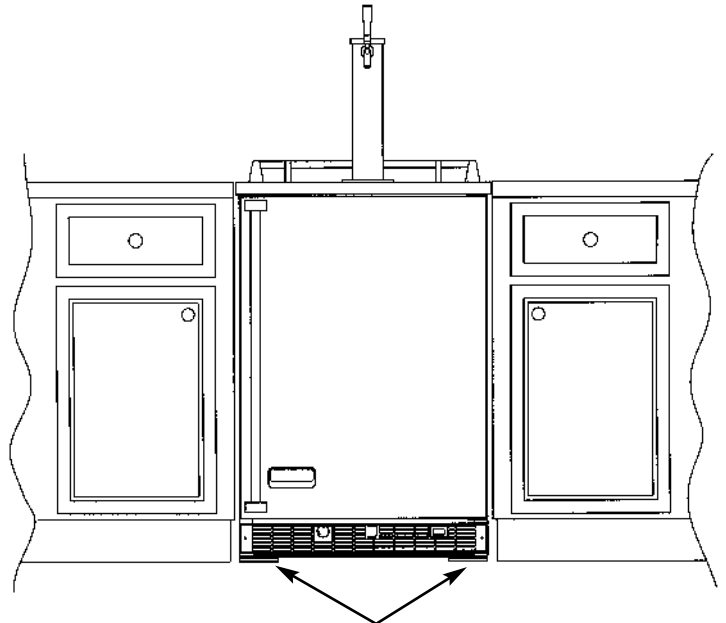
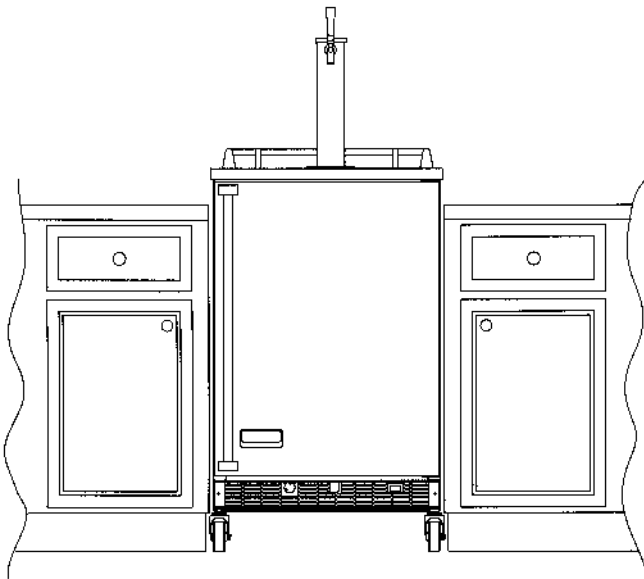
## CABINET CUTOUT - FREESTANDING MODELS



<b>A</b>	24" (61.0 cm)*
<b>B</b>	35 9/16" (90.3 cm)**
<b>C</b>	24" (61.0cm)
<b>D</b>	24 3/4" (62.9 cm)

\*24" width for cabinet only. 24 1/4" (61.6 cm) needed for cabinet and door width clearance if door is recessed between cabinets.

\*\*35 9/16" (90.3 cm) height is without casters mounted to unit. 39 3/4" (101.0cm) needed for height clearance with casters.



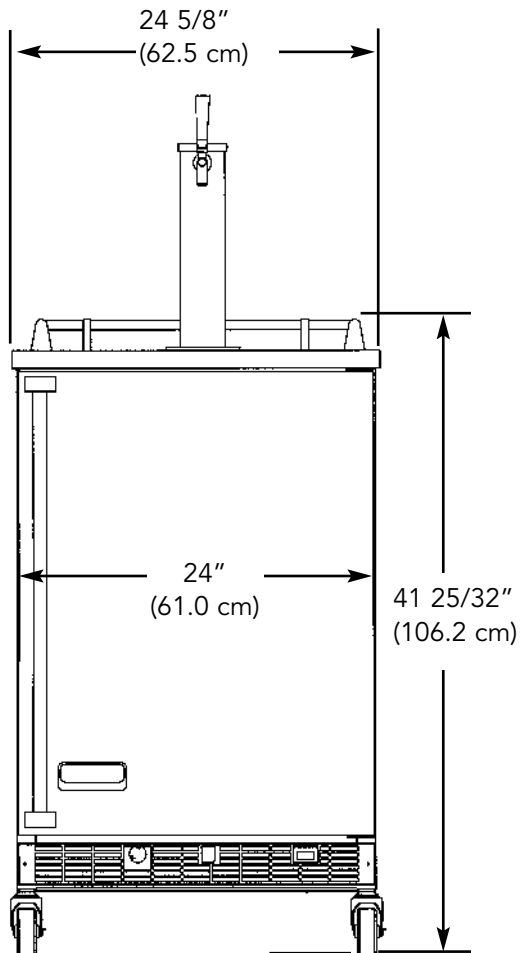
If removing the casters is necessary for installation, the unit should be raised off the ground. This should be done with an approved material. (Consult local building codes for approved material.)

## LEVEL UNIT

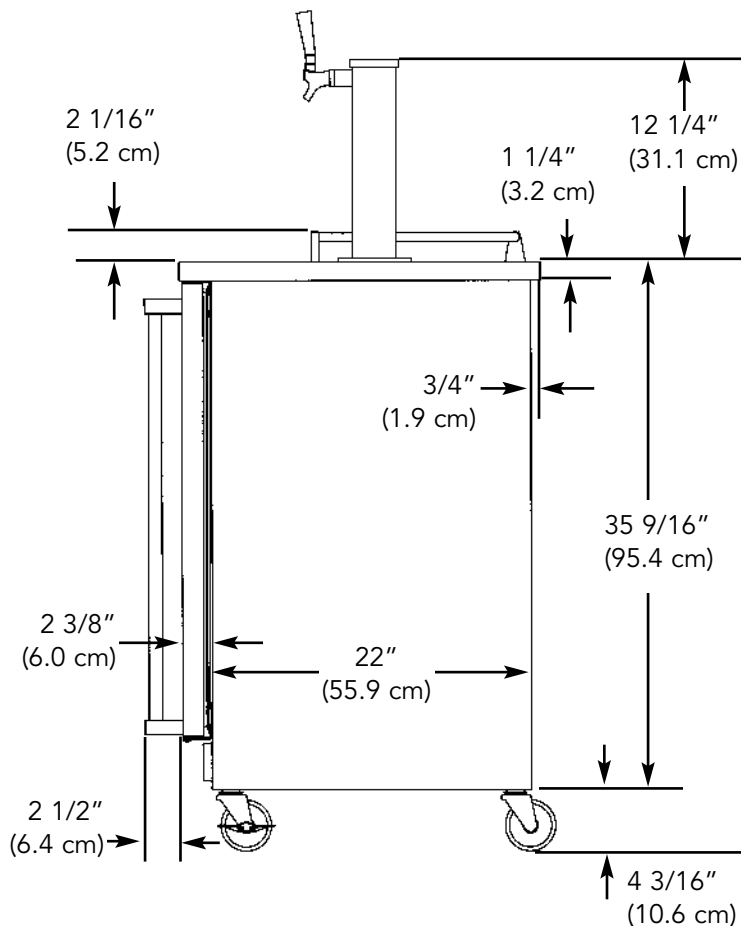
1. After placing unit in position, check to make certain the unit is level side to side and front to back.
2. Accurate leveling is essential for proper operation.

# DIMENSIONS - FREESTANDING MODELS

## FRONT



## SIDE



## TOP

