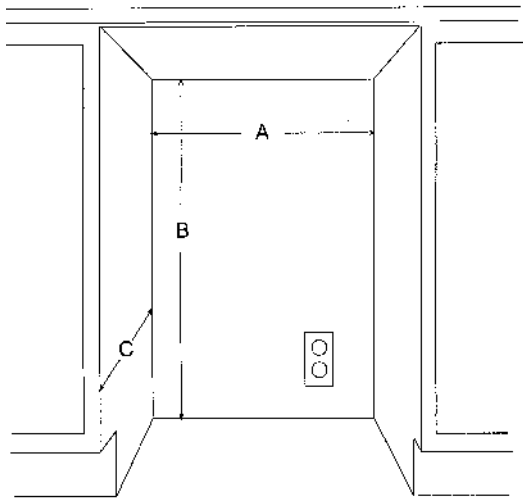
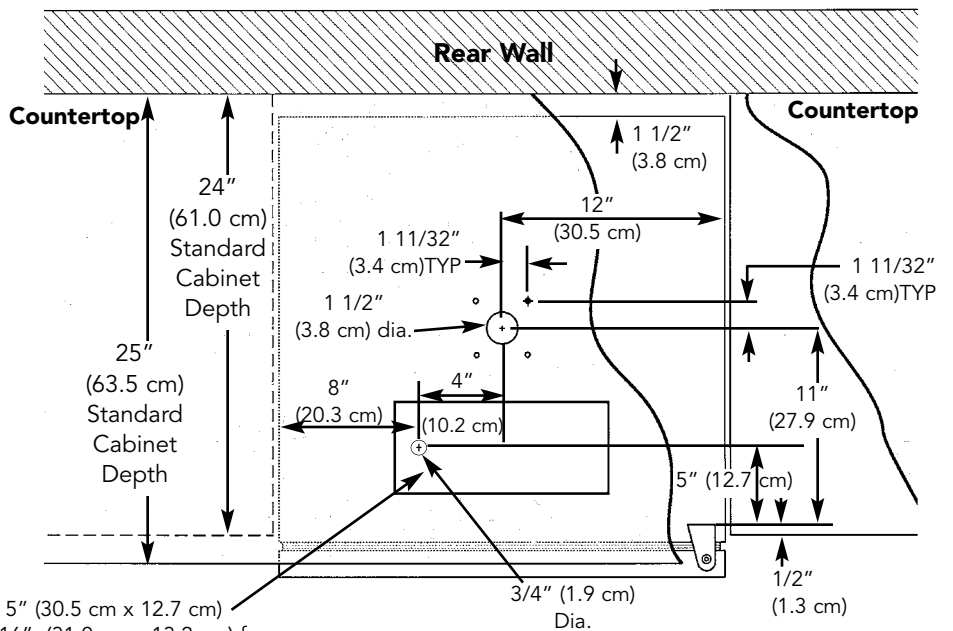


CABINET CUTOUT - UNDERCOUNTER MODELS

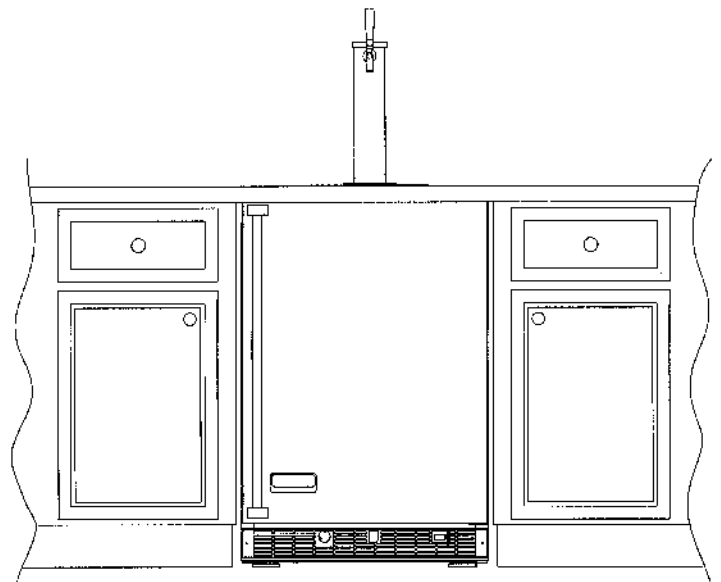
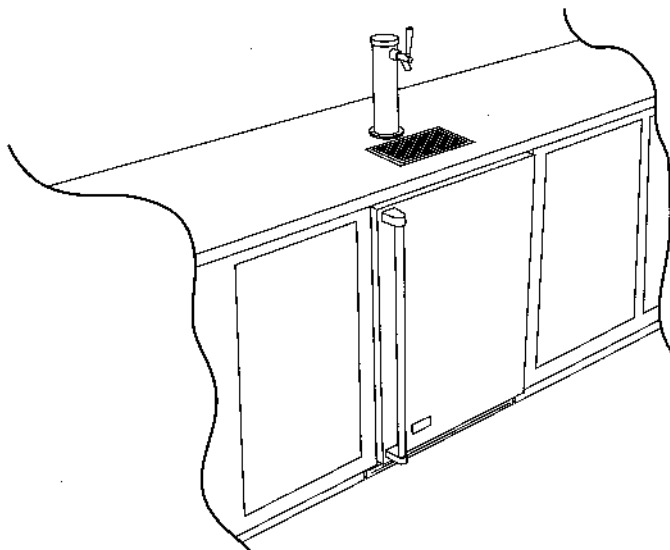


A	24" (61.0 cm)*
B	Min. 34 1/8" (87.9 cm) Max. 35 1/8" (89.2 cm)
C	24" (61.0 cm)

*24" width for cabinet only. 24 1/4" (61.6 cm) needed for cabinet and door width clearance if door is recessed between cabinets.

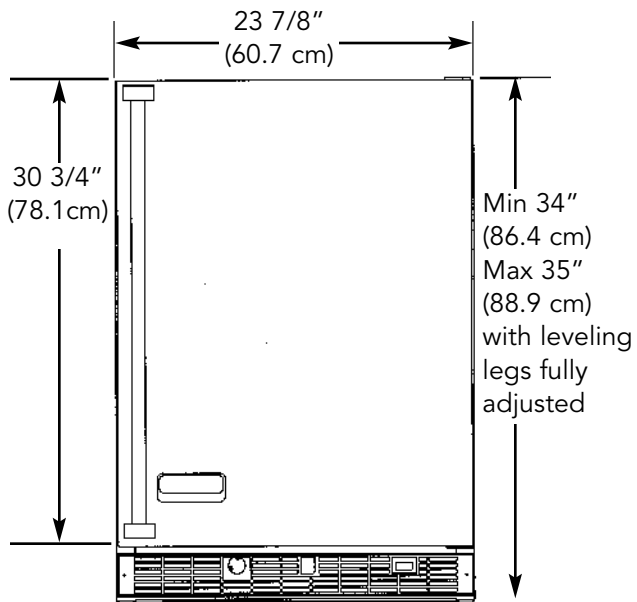


*Actual dimension of drain pan is 12" x 5" (30.5 cm x 12.7 cm)
This area should be cut 12 3/16" x 5 3/16" (31.0 cm x 13.2 cm) for clearance

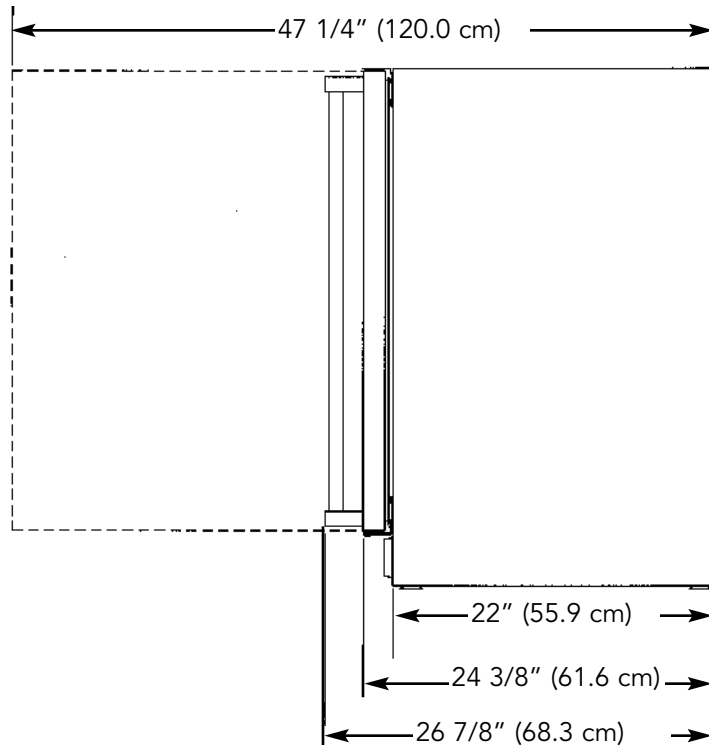


DIMENSIONS - UNDERCOUNTER MODELS

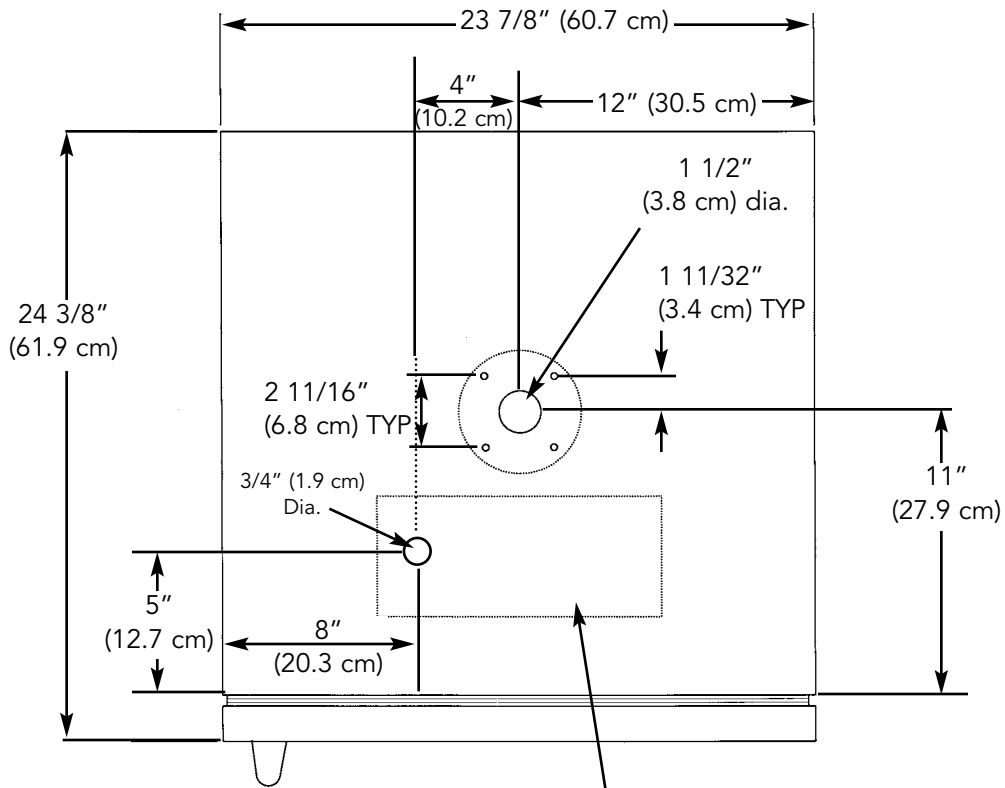
FRONT



SIDE



TOP



*Actual dimension of drain pan is 12" x 5" (30.5 cm x 12.7 cm)