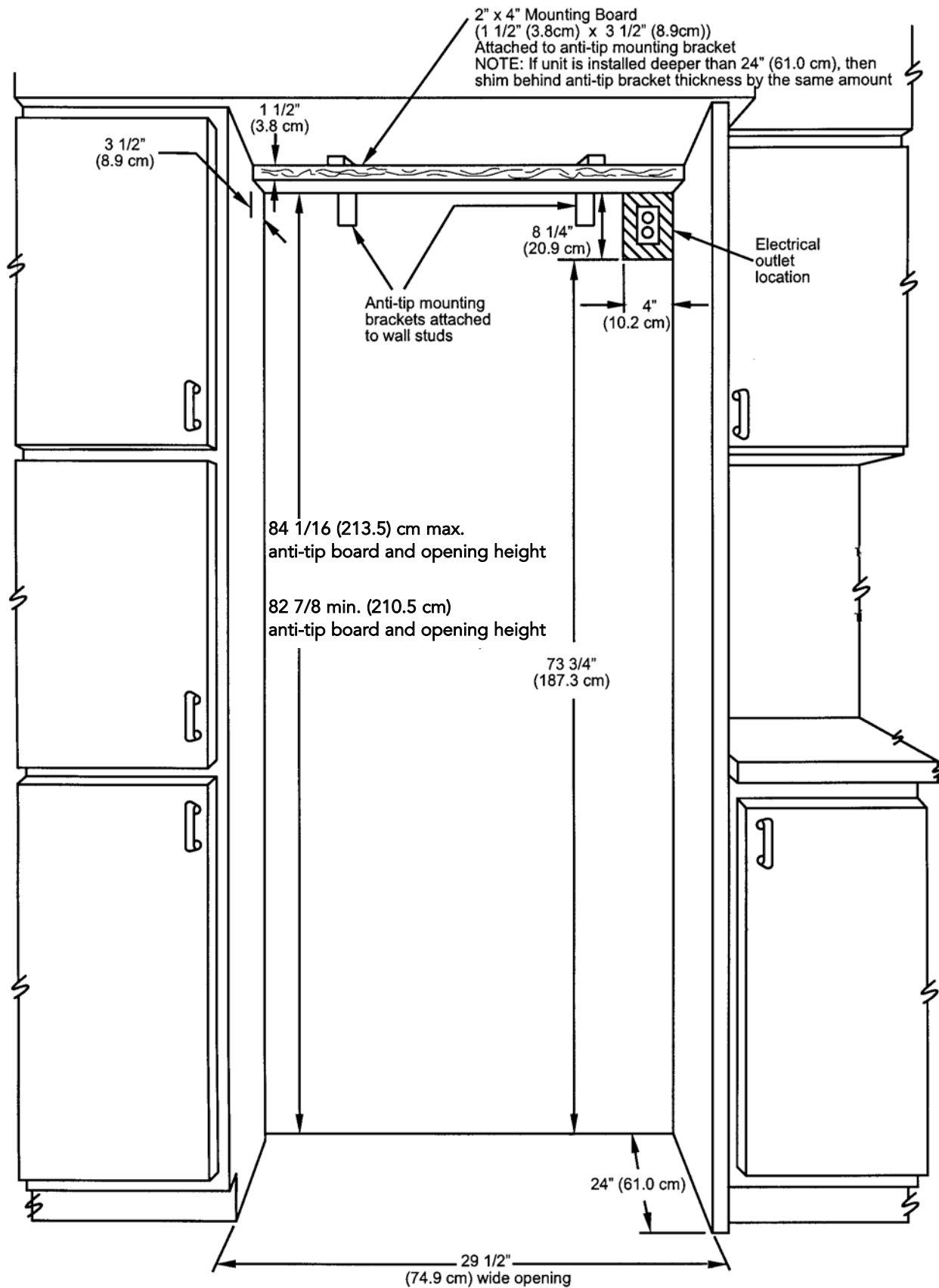
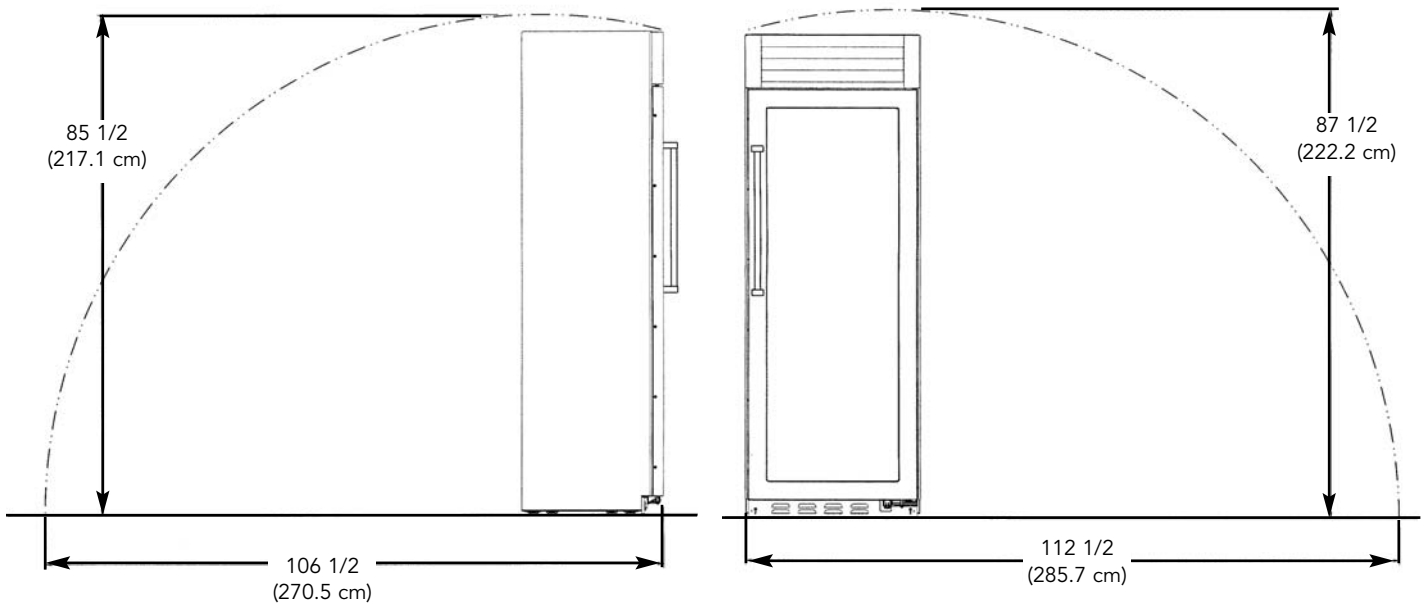
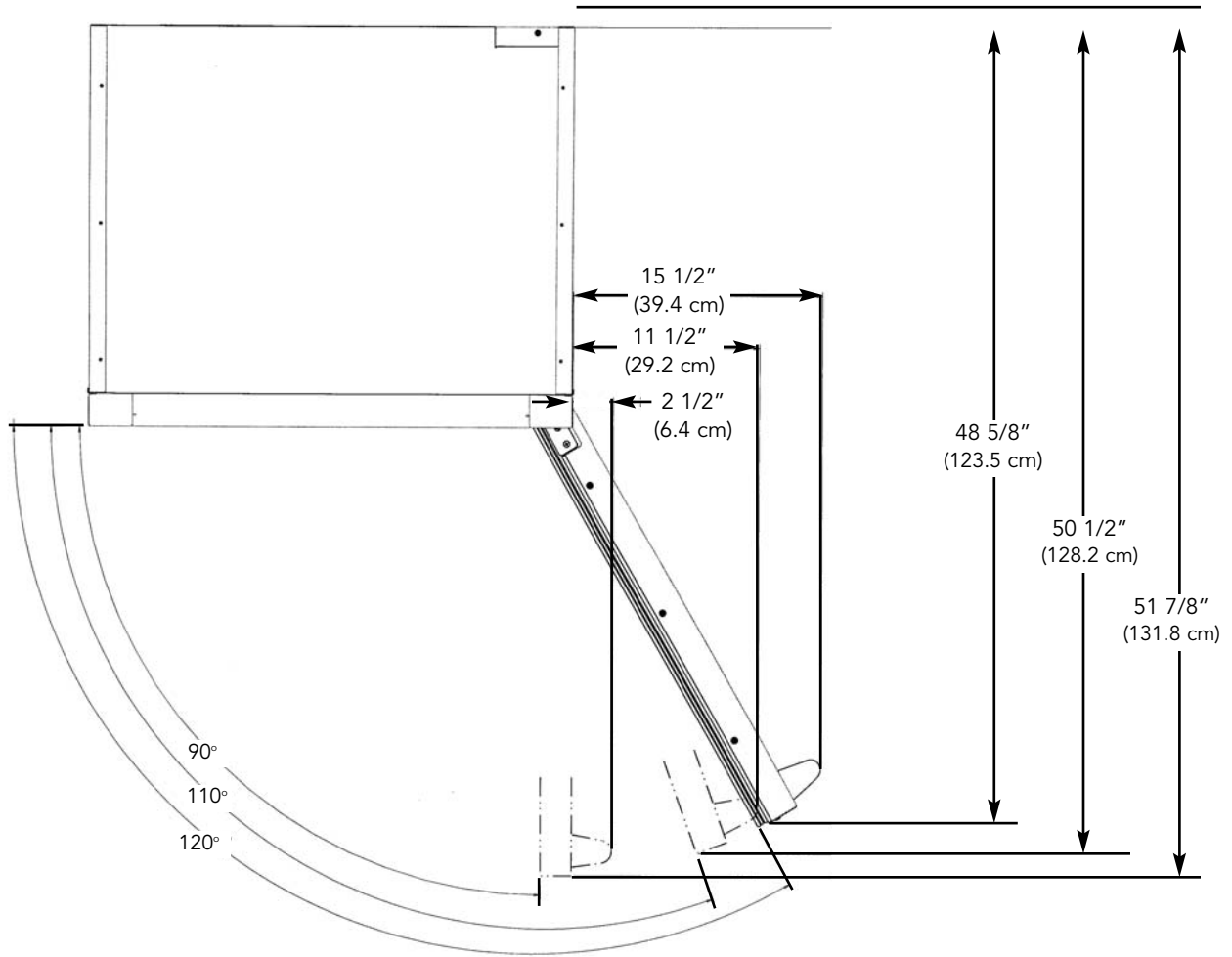


SITE PREPARATIONS AND CONSIDERATIONS

PROFESSIONAL MODEL 30" W. FULL HEIGHT WINE CELLAR CABINET OPENING DIMENSIONS



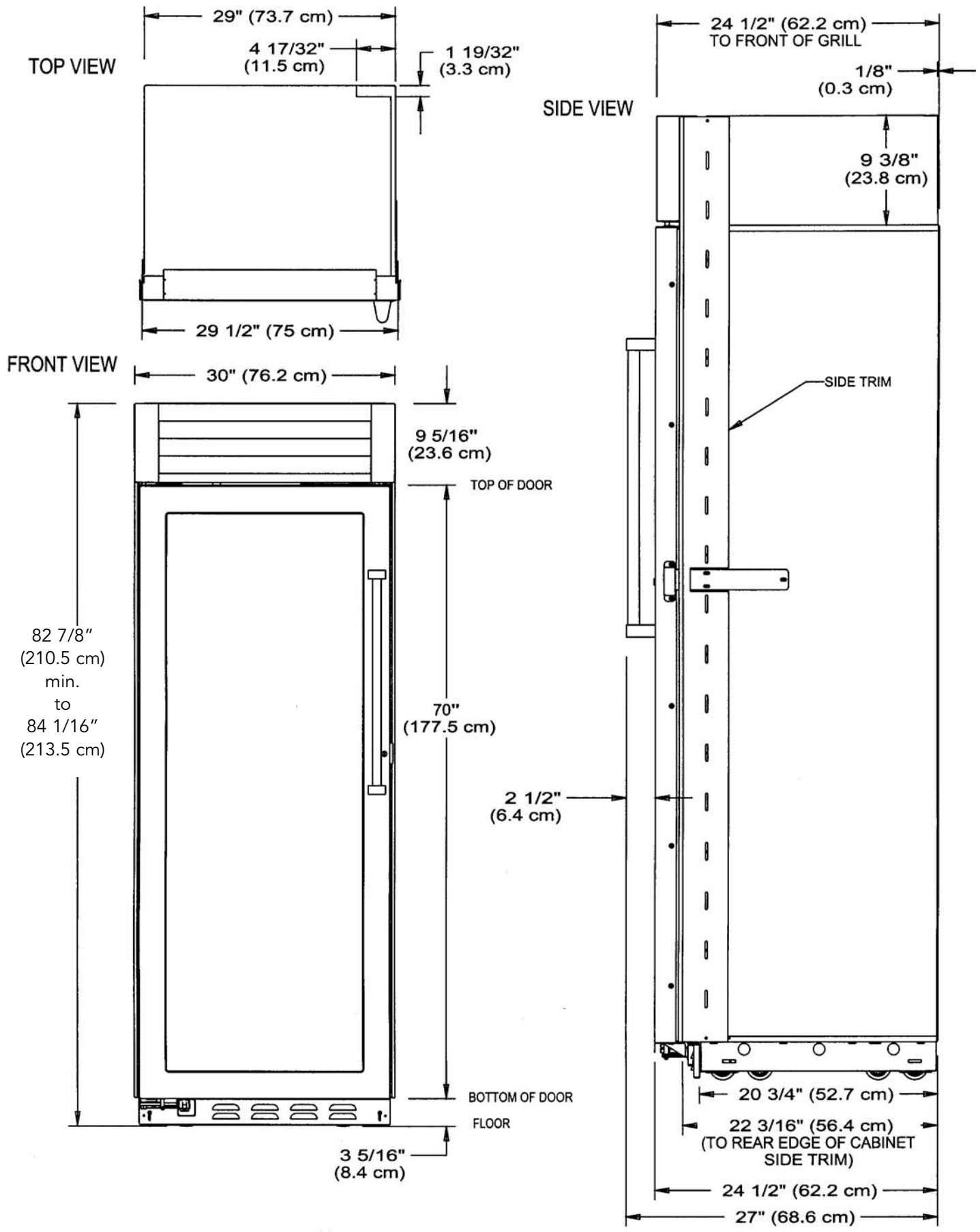
DOOR SWING AND TIPPING CONSIDERATIONS PROFESSIONAL MODEL



**BACKWARD
TIPPING RADIUS**

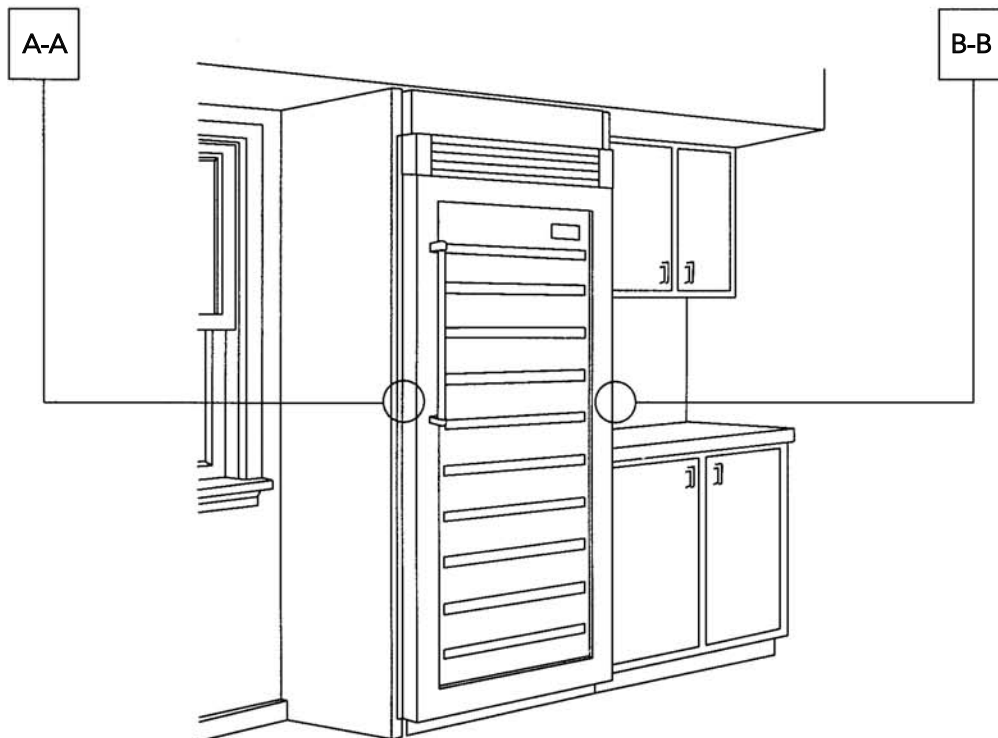
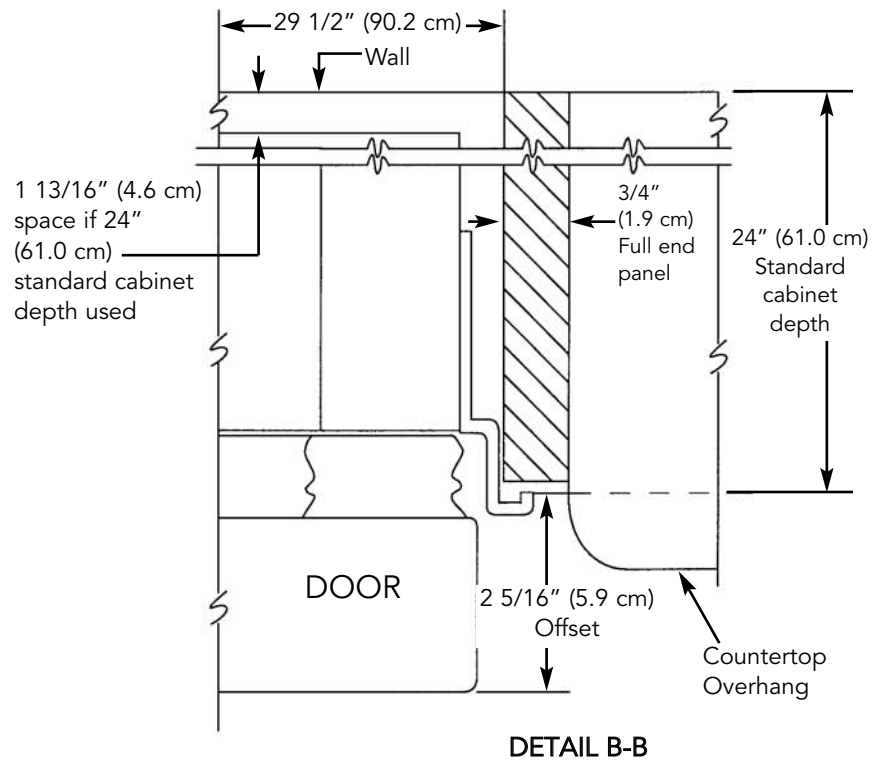
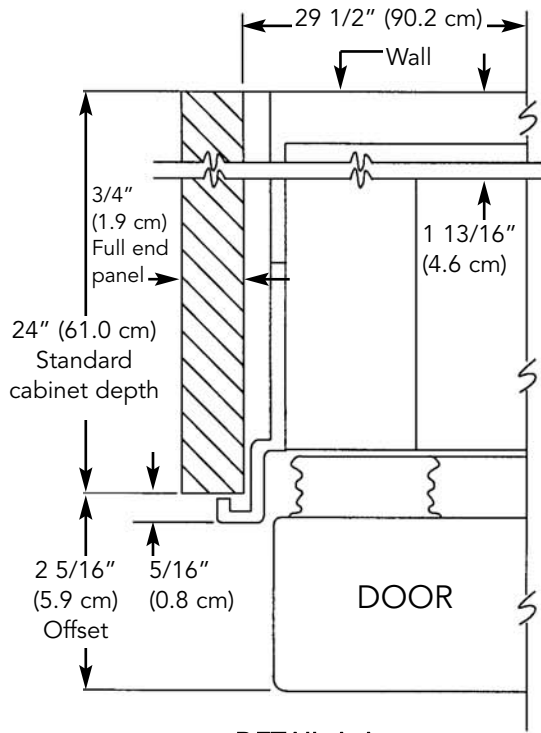
**SIDE
TIPPING RADIUS**

WINE CELLAR OVERALL DIMENSIONS - PROFESSIONAL MODEL

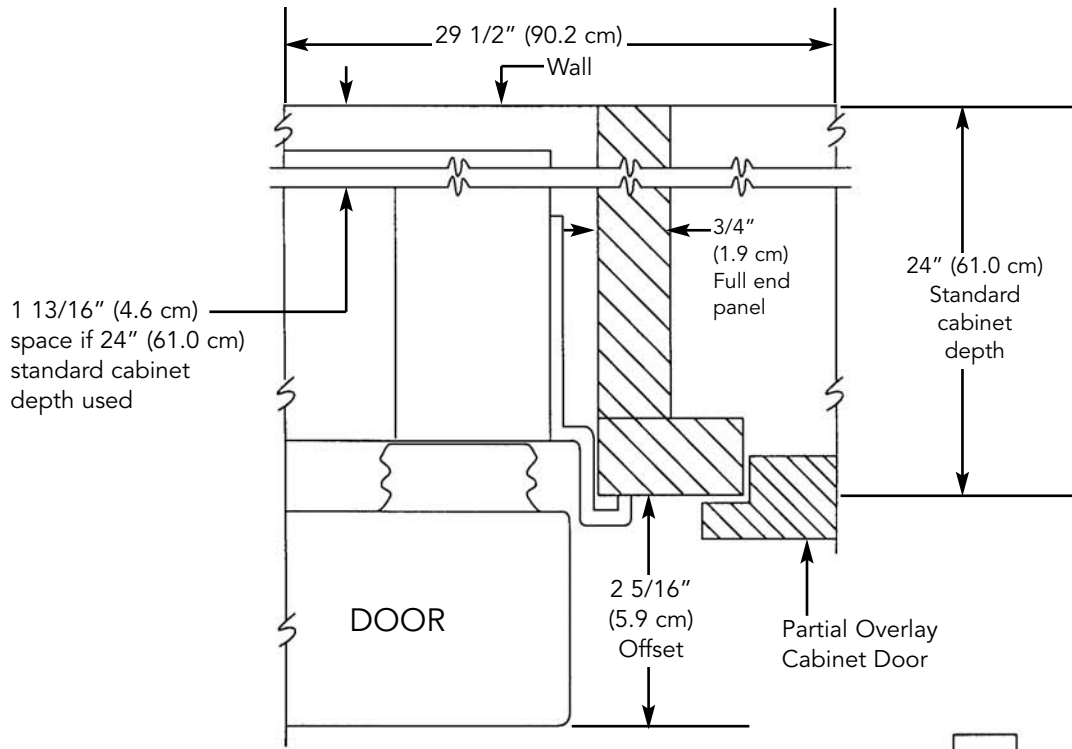


CABINET INFORMATION - PROFESSIONAL MODEL

Professional models fit "semi-flush" in standard 24" (61.0 cm) deep cabinet openings. The door face protrudes 2-5/16" (5.9 cm) from the cabinet face. The handle protrudes an additional 2-1/2" (6.4 cm) into the room

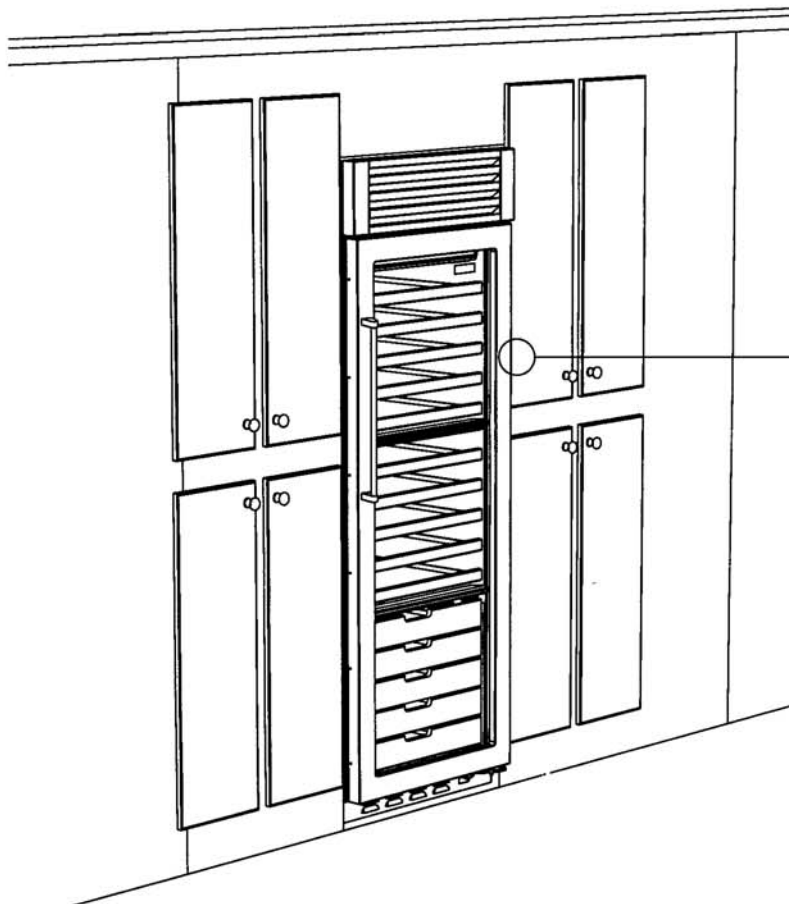


CABINET INFORMATION - PROFESSIONAL (continued)



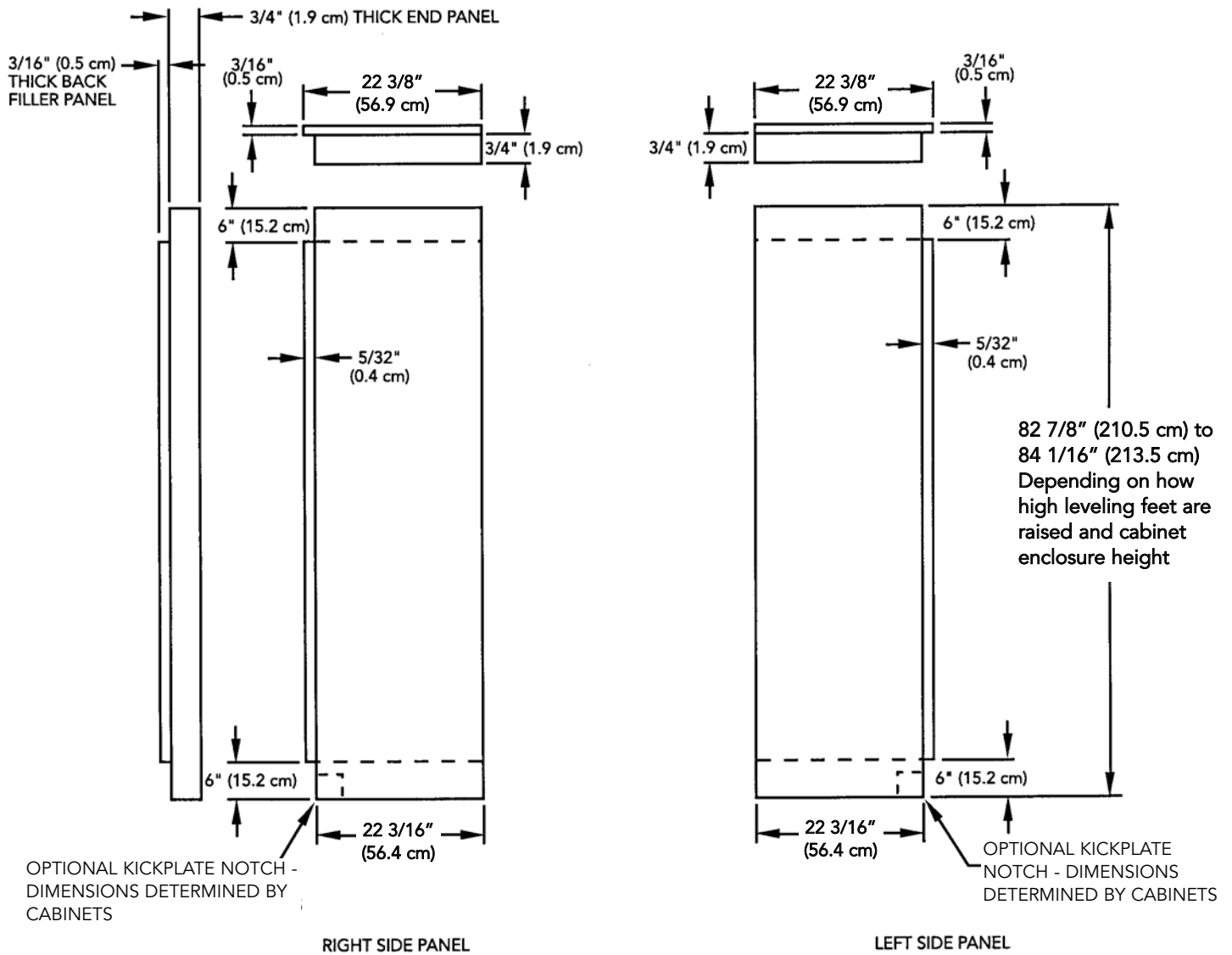
DETAIL C-C

C-C



CUSTOM SIDE PANEL DIMENSIONS - PROFESSIONAL MODEL

For 3/4" (1.9 cm) Side Panels



BASIC SPECIFICATIONS AND DIMENSIONS

DESCRIPTION	VCWB300
Overall Width	30" (76.2 cm)
Overall Height from Bottom	Min. 82 3/4" (210.2 cm) to Max. 84 1/16" (213.5 cm)
Overall Depth from Rear	To rear edge of side trim 22 3/16" (56.4 cm) To front of top grille 24 1/2" (62.2 cm) To end of handle bracket 27" (68.6 cm)
Cutout Width	29 1/2" (74.9 cm)
Cutout Height	82 7/8" (210.5 cm) min.; 84 1/16" (213.5 cm) max.
Cutout Depth	24" (61.0 cm) min.
Electrical Requirements	115 volt, 60 Hz, 15 amp dedicated circuit; 3-wire cord with grounded 3-prong plug attached to product.
Maximum Amp Usage	2.0 amps
Overall Capacity	150 bottles
Approximate Shipping Weight	560 lbs. (252 kg)

DESCRIPTION	DDWB300	DFWB300
Overall Width	30" (76.2 cm)	
Overall Height from Bottom	Min. 82 3/4" (210.2 cm) to Max. 84 1/16" (213.5 cm)	
Overall Depth from Rear To front edge of side trim To front edge of cabinet side trim To front edge of door trim	23 13/16" (60.5 cm) 24" (61.0 cm) 26" (66.0 cm)	23 13/16" (60.5 cm) 24 3/4" (62.9 cm) 24" (61.0 cm)
Cutout Width	30" (76.2 cm)	
Cutout Height	82 7/8" (210.5 cm) min.; 84 1/16" (213.5 cm) max.	
Cutout Depth	24" (61.0 cm) min.	25" (63.5 cm) - can be installed in 24" (61.0 cm) deep openings; door faces and top grille will protrude 3/4" (1.9 cm) into room.
Electrical Requirements	115 volt, 60 Hz, 15 amp dedicated circuit; 3-wire cord with grounded 3-prong plug attached to product.	
Maximum Amp Usage	2.0 amps	
Overall Capacity	150 bottles	
Approximate Shipping Weight	560 lbs. (252 kg)	