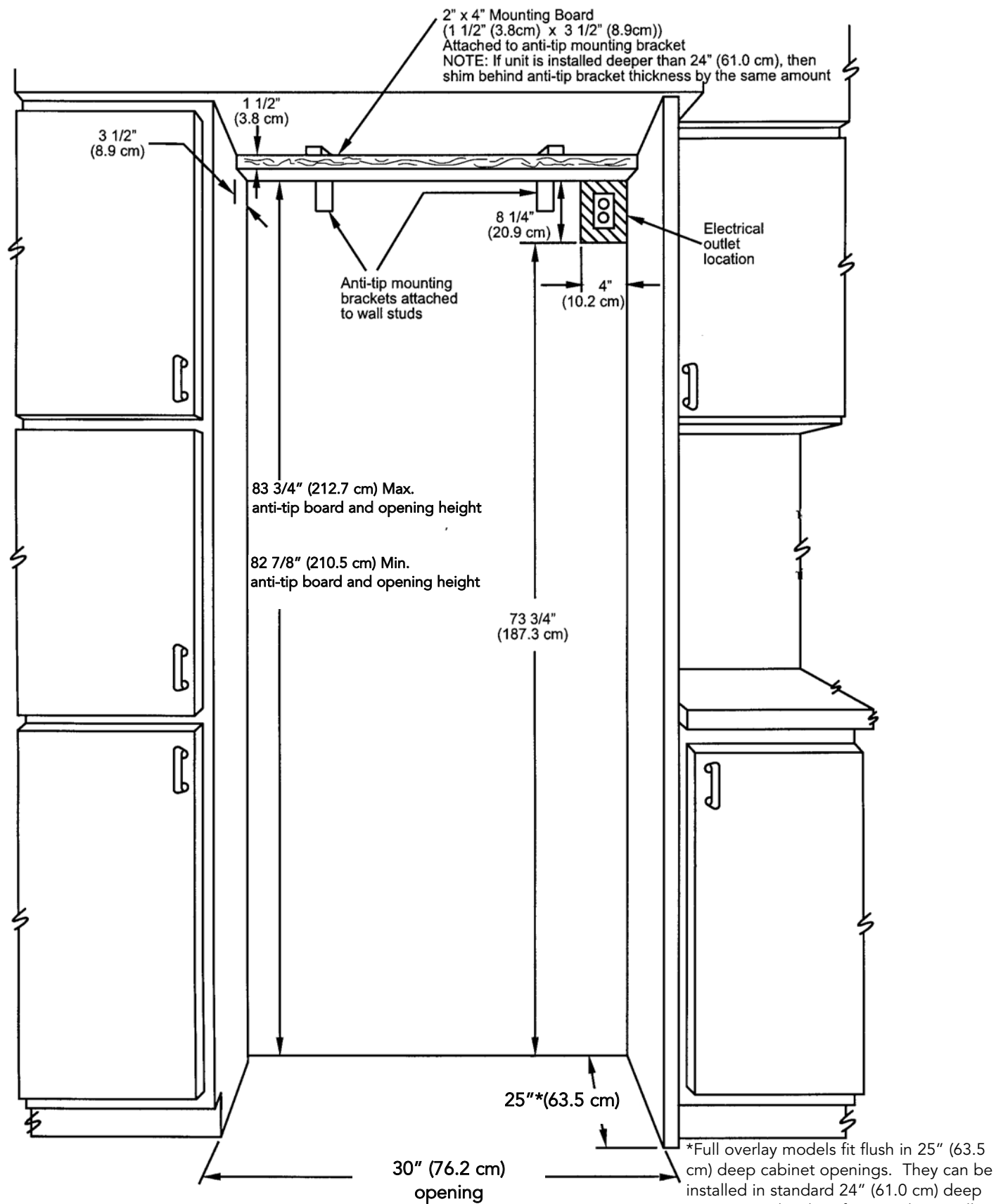
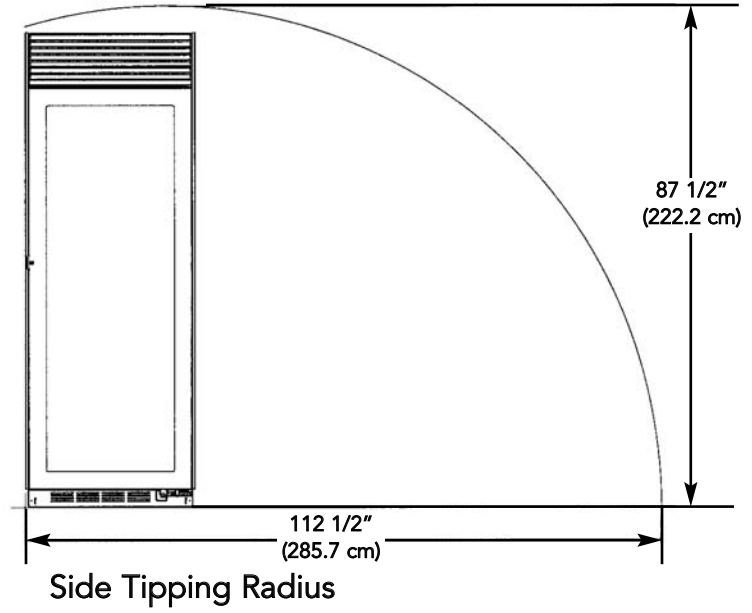
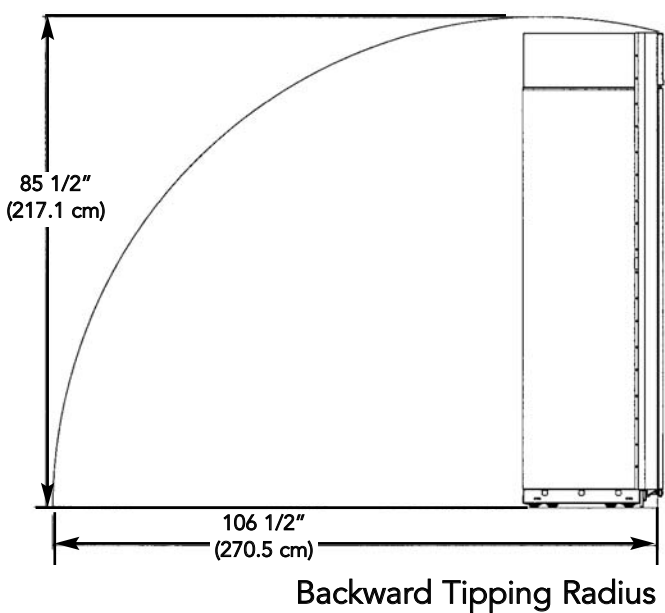
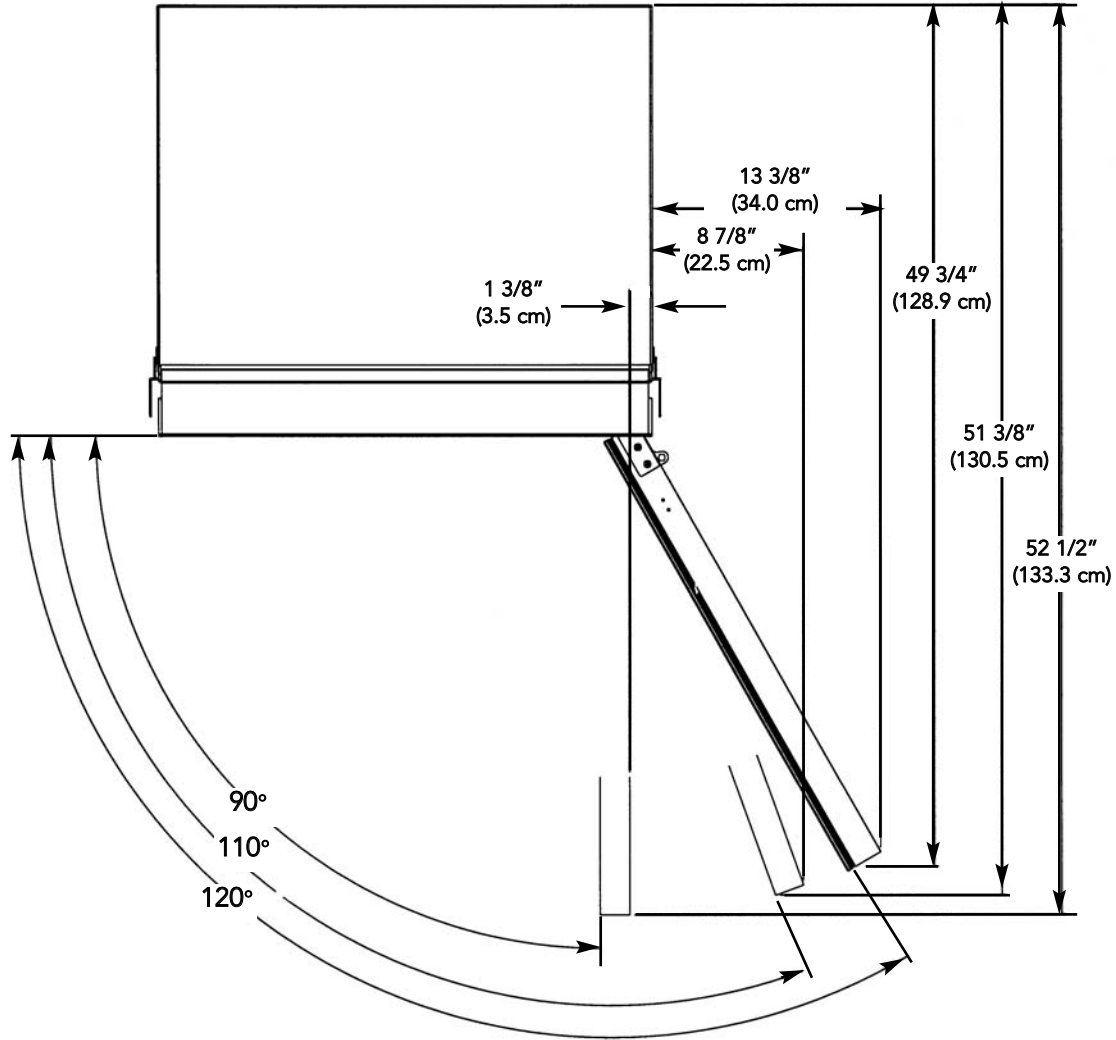


SITE PREPARATIONS AND CONSIDERATIONS

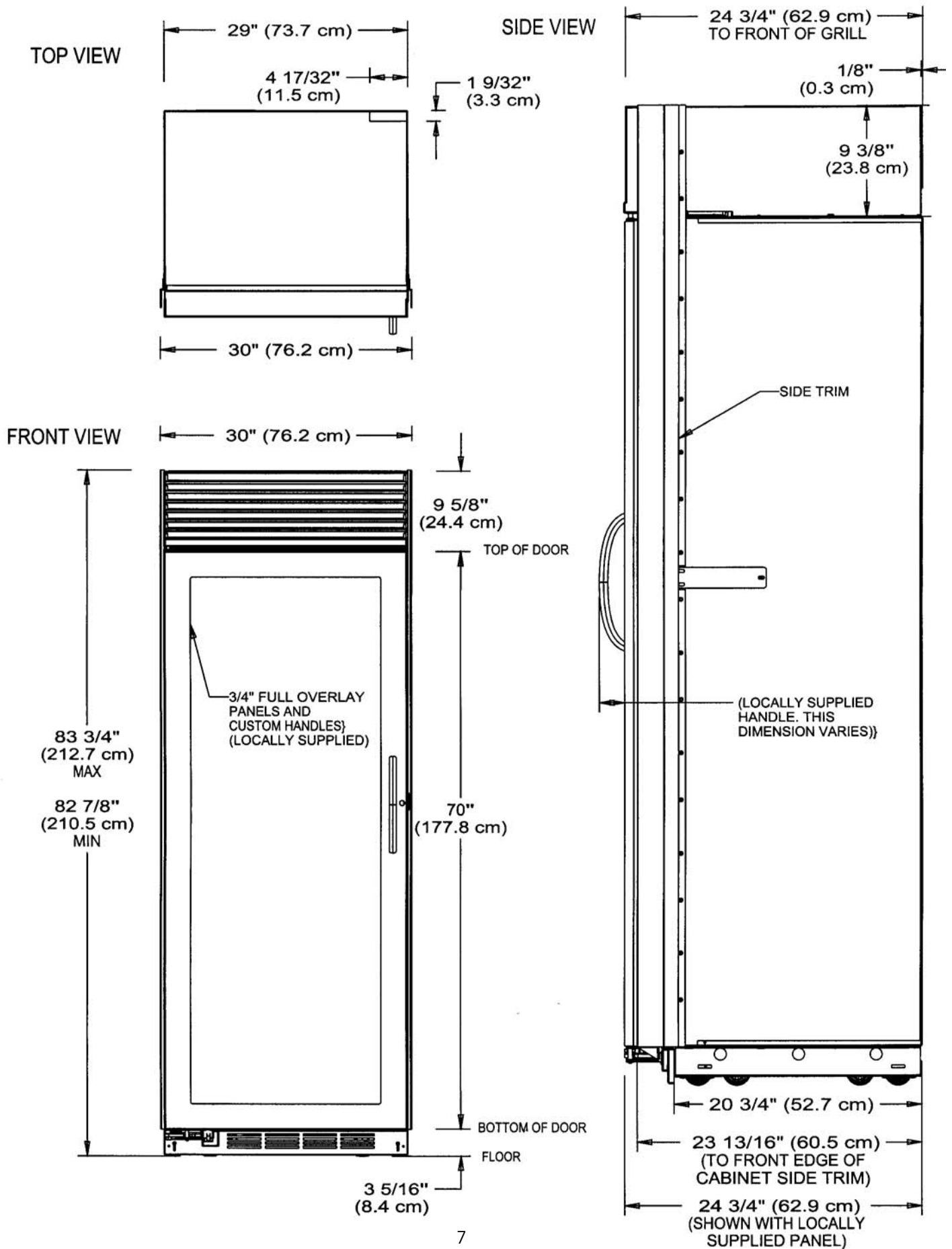
FULL OVERLAY MODEL 30" W. FULL HEIGHT WINE CELLAR CABINET OPENING DIMENSIONS



DOOR SWING AND TIPPING CONSIDERATIONS

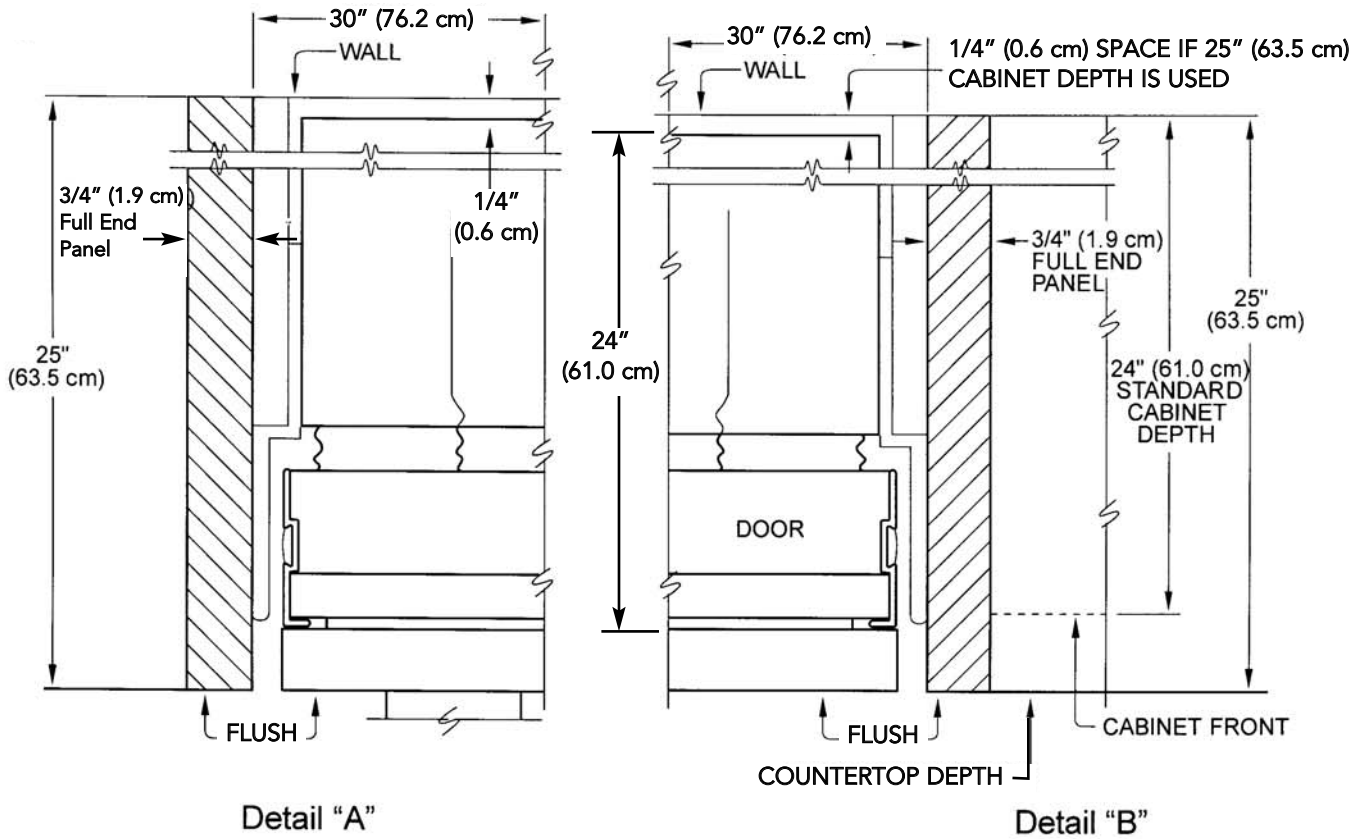


OVERALL DIMENSIONS



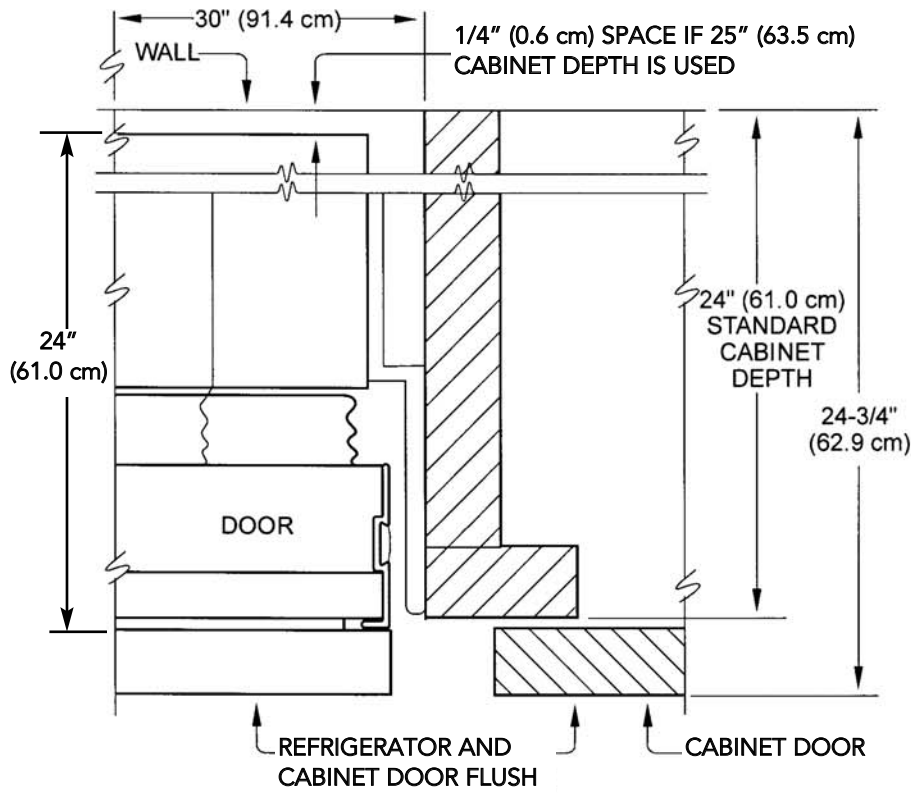
CABINET INFORMATION

Full overlay models, (with 3/4" [1.9 cm] thick panels and custom handles locally supplied), fit flush in 25" (63.5 cm) deep (countertop depth) cabinet openings with no protrusion into room except custom handles.

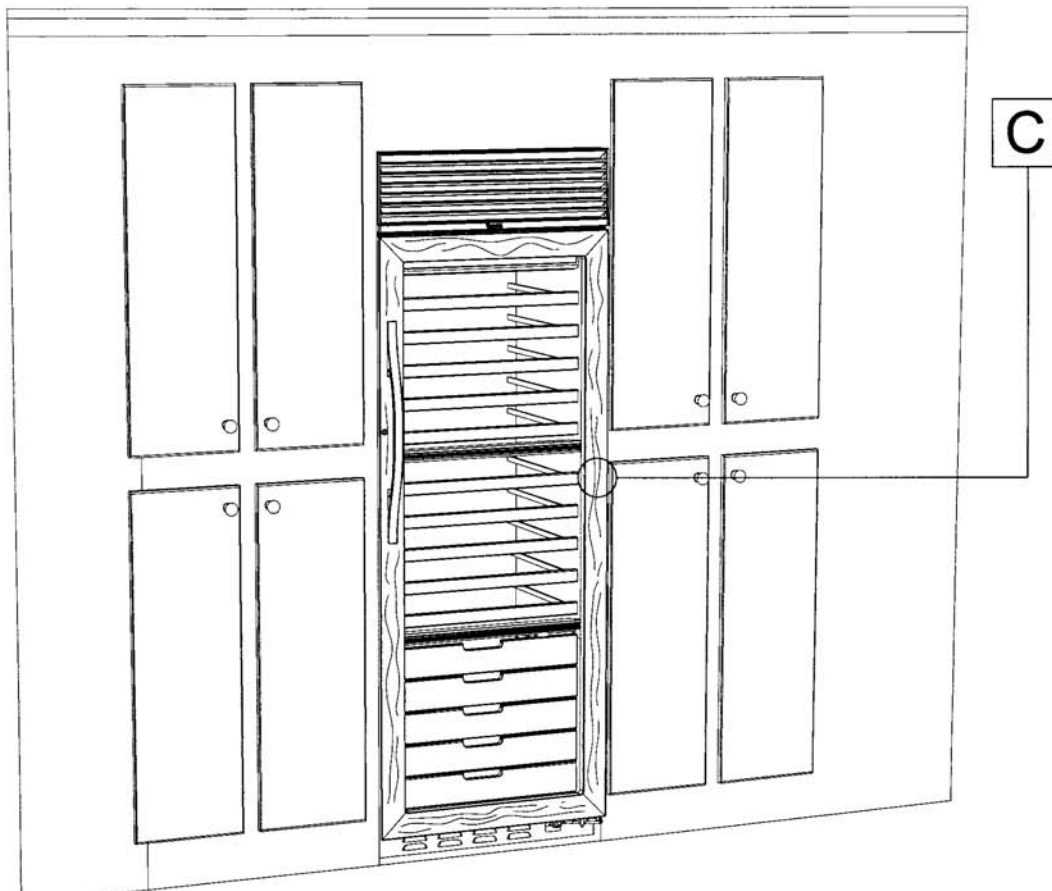


CABINET INFORMATION (CONTINUED)

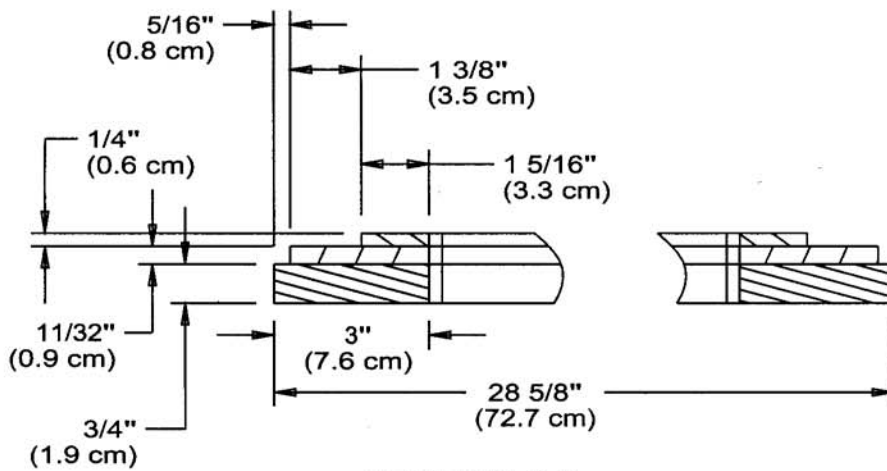
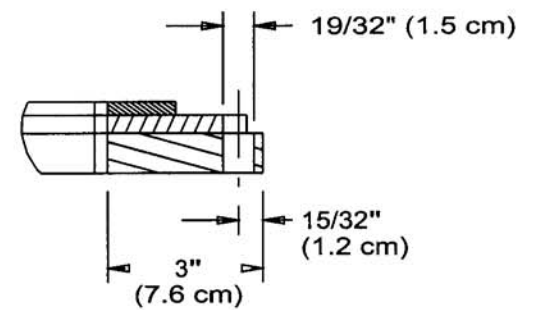
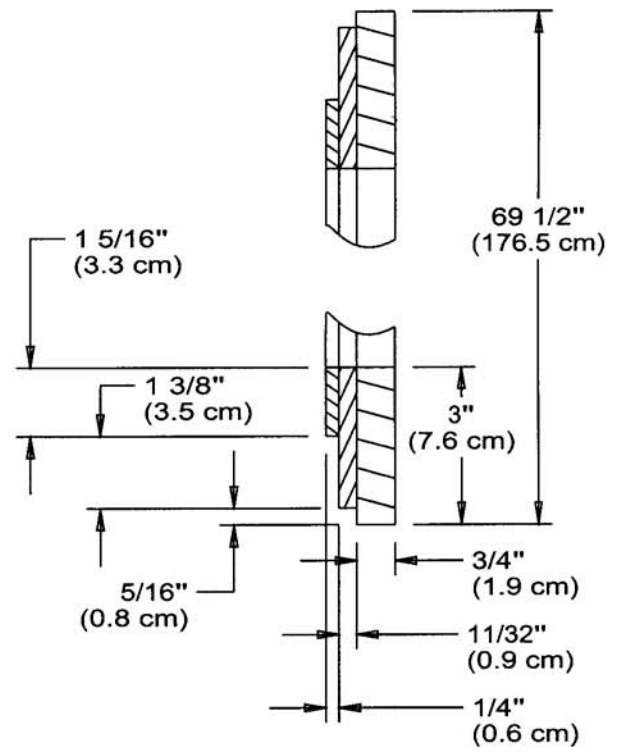
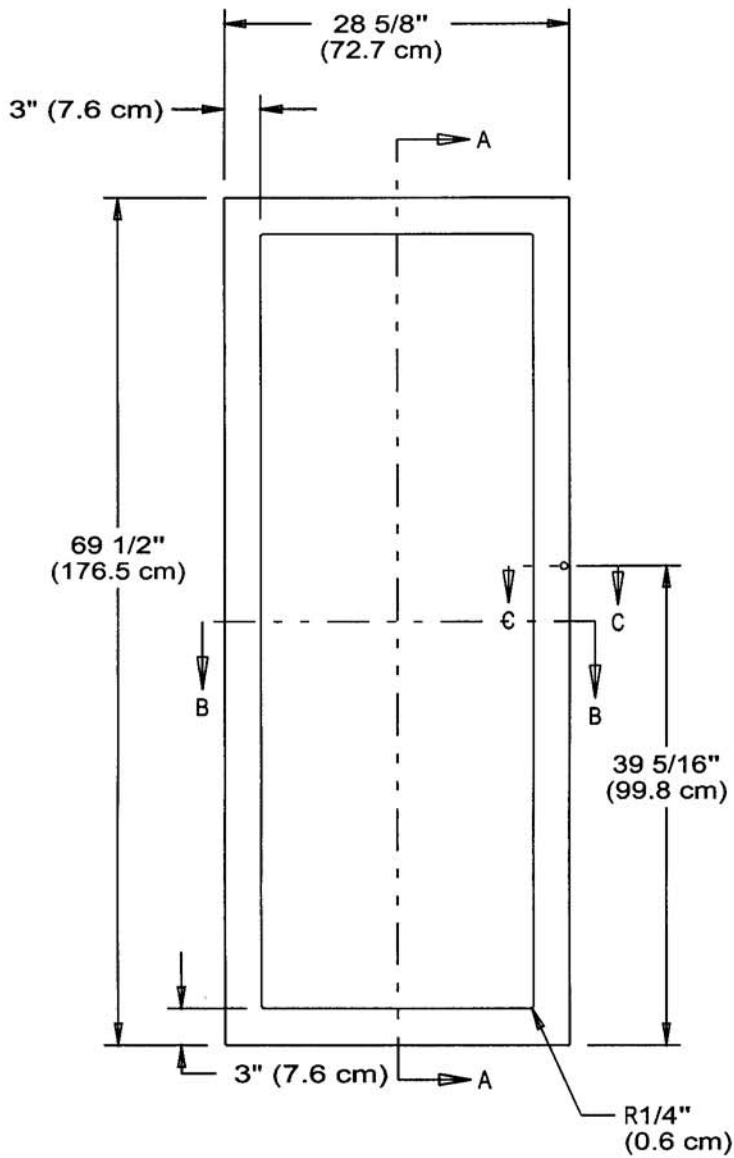
Full overlay models can be installed in standard 24" (61.0 cm) deep openings. However, the door faces and top ventilation grille will protrude 3/4" (1.9 cm) into the room, ideal for alignment with full overlay cabinet doors.



Detail "C"



CUSTOM PANEL DIMENSIONS

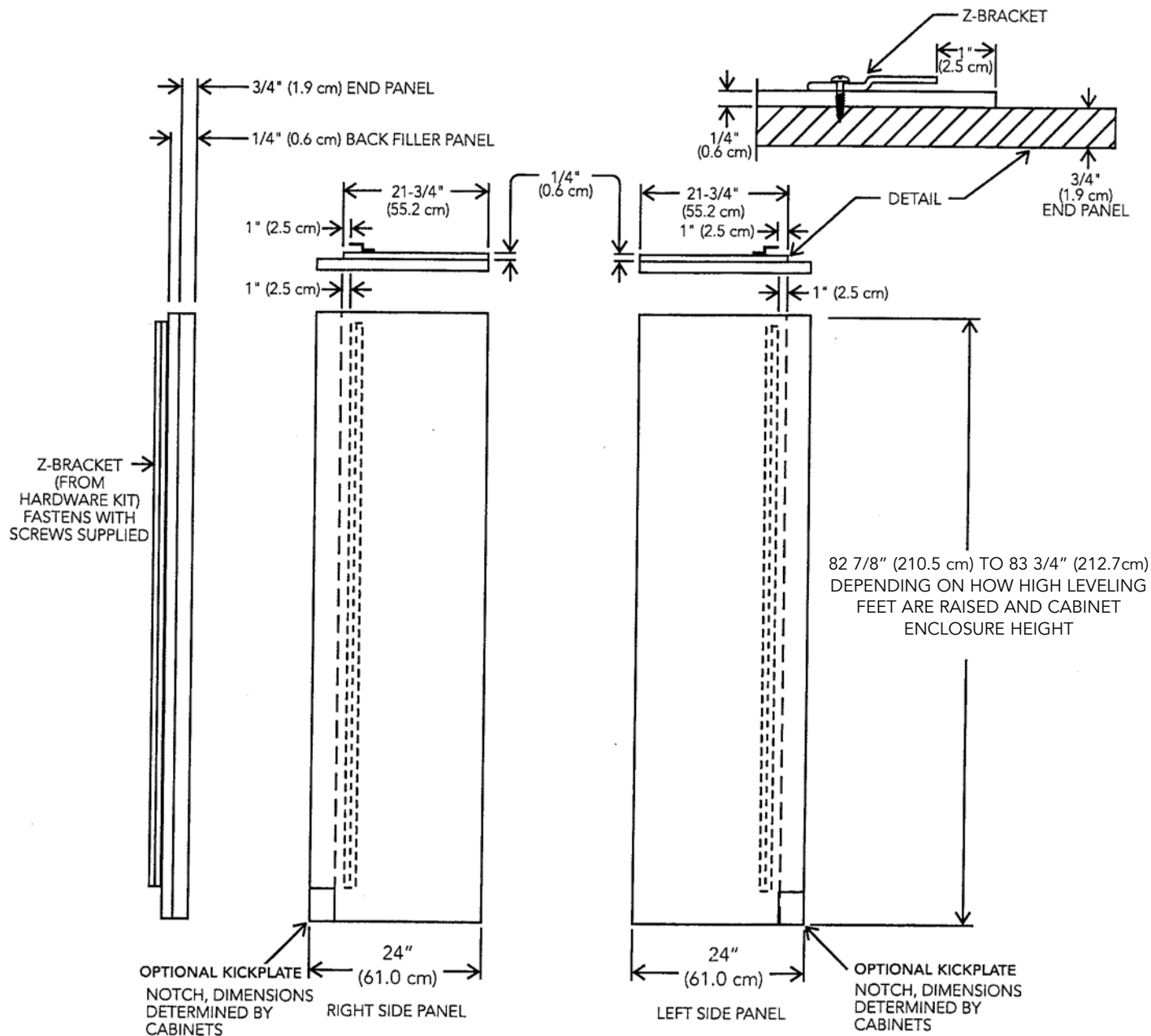


SECTION B-B

CUSTOM SIDE PANEL DIMENSIONS

For 3/4" (1.9 cm) Side Panels

NOTE: Adding a 3/4" (1.9 cm) side panel adds an additional 3/4" (1.9 cm) to the overall width of the product for each side panel used. **Requires side panel hardware kit (Kit model number - SPHKDS)**



BASIC SPECIFICATIONS AND DIMENSIONS

DESCRIPTION	DFWB300
Overall Width	30" (76.2 cm)
Overall Height from Bottom	Min. 82 1/2" (209.6 cm) to Max. 83 3/4" (212.7 cm)
Overall Depth from Rear	To front edge of side trim 23 13/16" (60.5 cm) To front edge of cabinet side trim 24 3/4" (62.9 cm) To front edge of door trim 24" (61.0 cm)
Cutout Width	30" (76.2 cm)
Cutout Height	82 7/8" (210.5 cm) min.; 83 3/4" (212.7 cm) max.
Cutout Depth	25" (63.5 cm) - can be installed in 24" (61.0 cm) deep openings; door faces and top grille will protrude 3/4" (1.9 cm) into room.
Electrical Requirements	115 volt, 60 Hz, 15 amp dedicated circuit; 3-wire cord with grounded 3-prong plug attached to product.
Maximum Amp Usage	2.0 amps
Overall Capacity	150 bottles
Approximate Shipping Weight	560 lbs. (252 kg)