

## GENERAL INFORMATION

### Unpack

1. Remove banding from bottom of carton. Lift carton up and off of the wine cellar
2. Remove all tape and packaging material from the outside and inside of the cabinet.
3. Keep all carton packaging until your wine cellar has been thoroughly inspected and found to be in good condition.

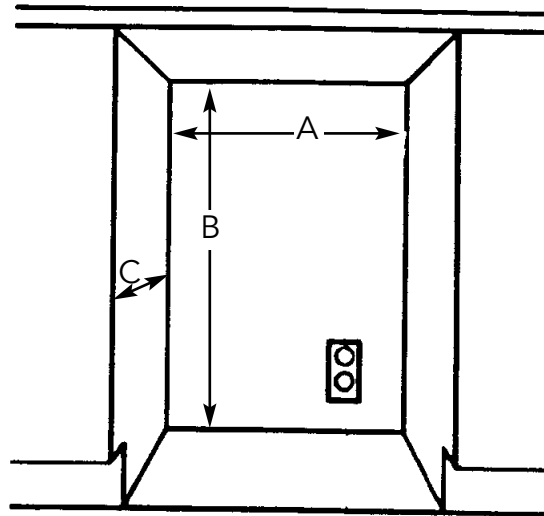
### AREA REQUIREMENTS

1. Place unit so the front side will be completely unobstructed to provide proper air flow. The unit may be closed in on the top and three sides, but the front **MUST BE** unobstructed for air circulation and proper operation. Installation should be such that the cabinet can be moved for servicing if necessary.
2. Unit should be in a well ventilated area with temperature above 55°F (13°C) and below 110°F (43°C). Best results are obtained at temperatures between 65°F (18°C) and 80°F (27°C) for built-in models and 65°F (18°C) and 90°F (32°C) for freestanding models.
3. Provisions for electricity should be determined before placing unit in proper place.

### UNDERCOUNTER CABINET CUTOUT

|   |  |
|---|--|
| A | 24" (61.0 cm)*                                   |
| B | Min. 34 1/2" (87.6 cm)<br>Max. 35 1/8" (89.2 cm) |
| C | 24" (61.0 cm)                                    |

\*24" width for cabinet only. 24 1/4" (61.6 cm) need for cabinet and door width clearance if door is recessed between cabinets.

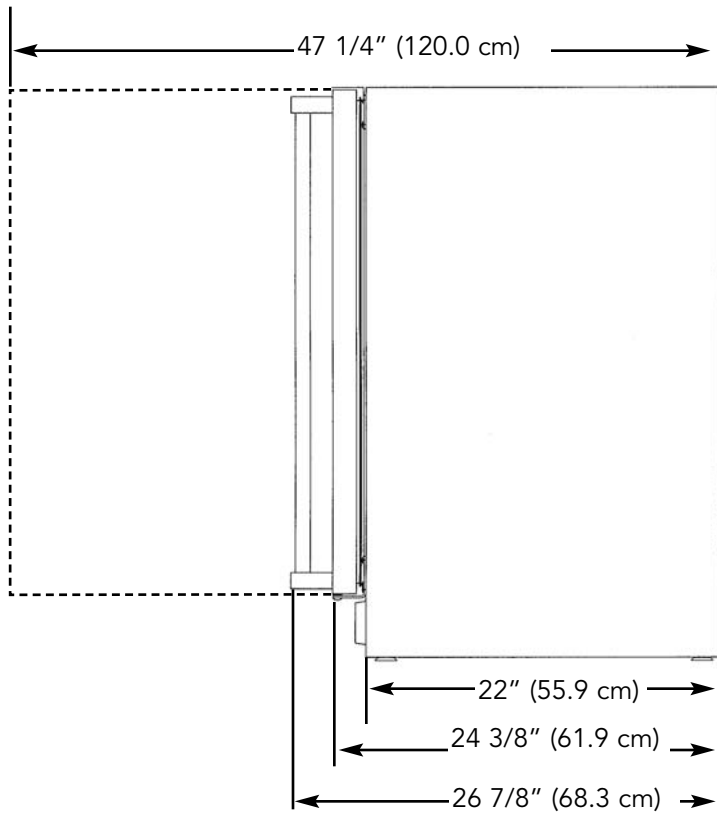
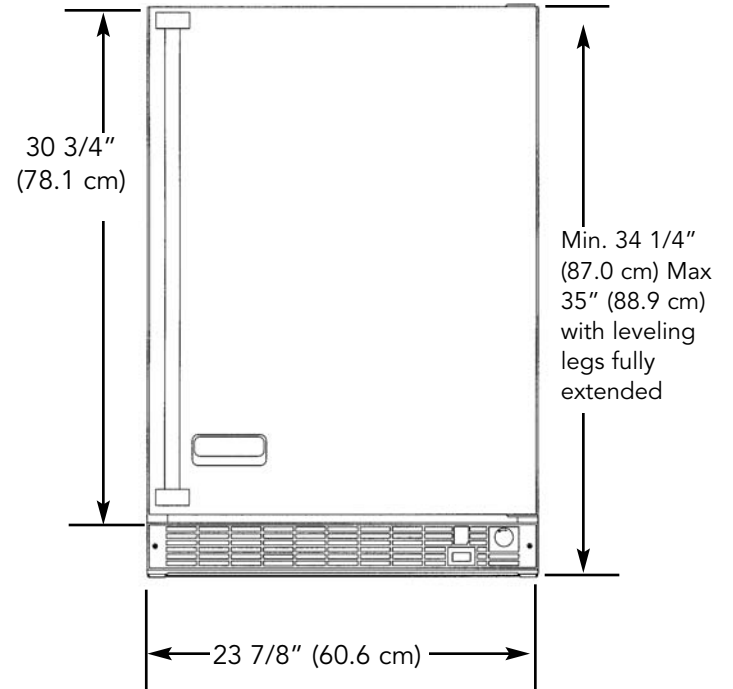


# SPECIFICATIONS/DIMENSIONS

## PROFESSIONAL SERIES

### Basic Electric Data

- 115 VAC/60 Hz
- Maximum amps - 3.3
- Approximate Shipping Weight - 140 lbs. (63.2 kg)



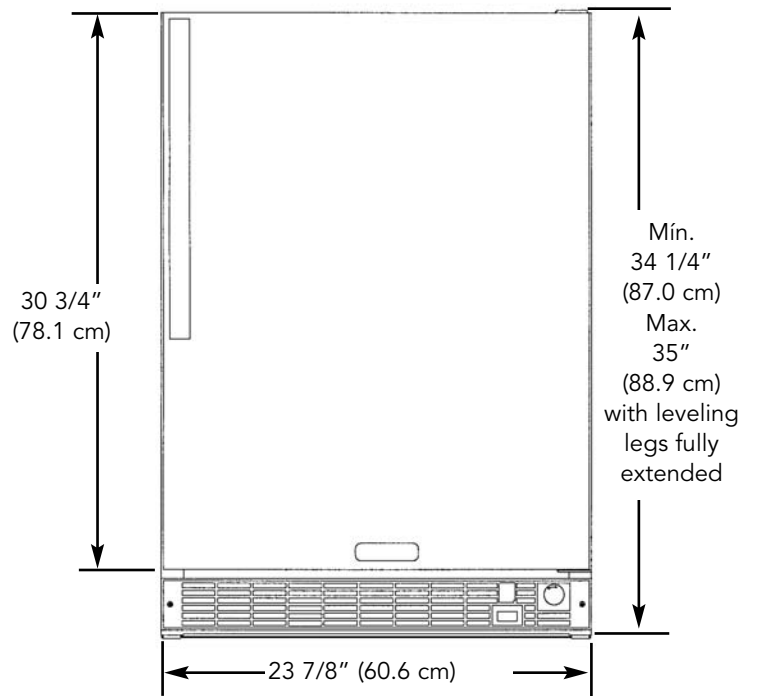
# SPECIFICATIONS/DIMENSIONS

## DESIGNER SERIES

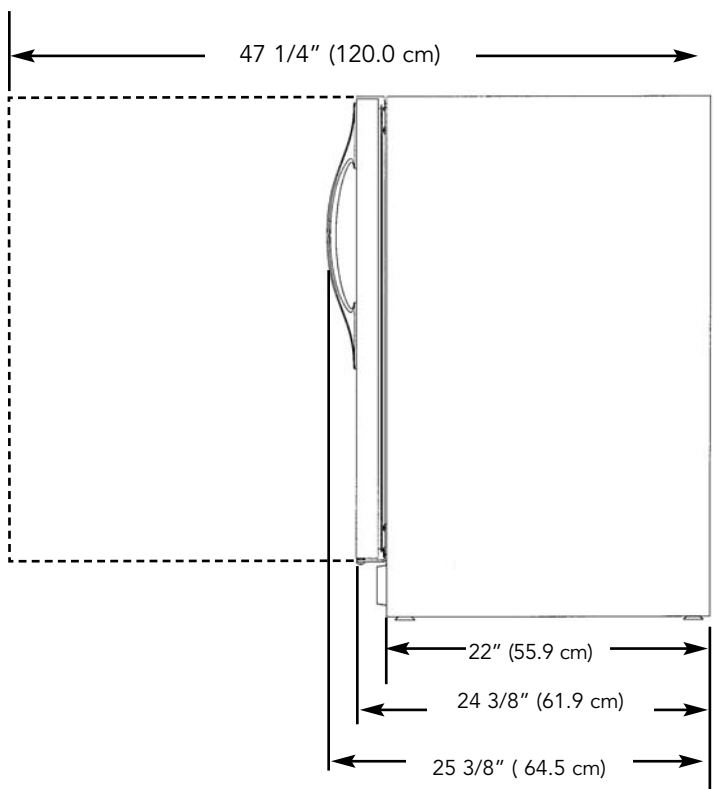
### Basic Electric Data

- 115 VAC/60 Hz
- Maximum amps - 3.3
- Approximate shipping weight - 140 lbs (63.2 kg)

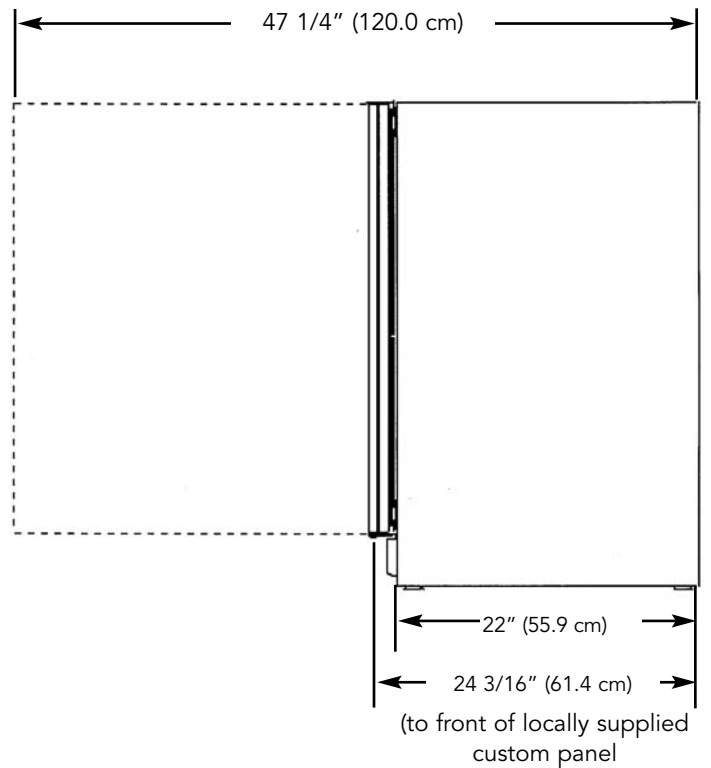
### Front View



### Side View DUWC



### Side View DFUW

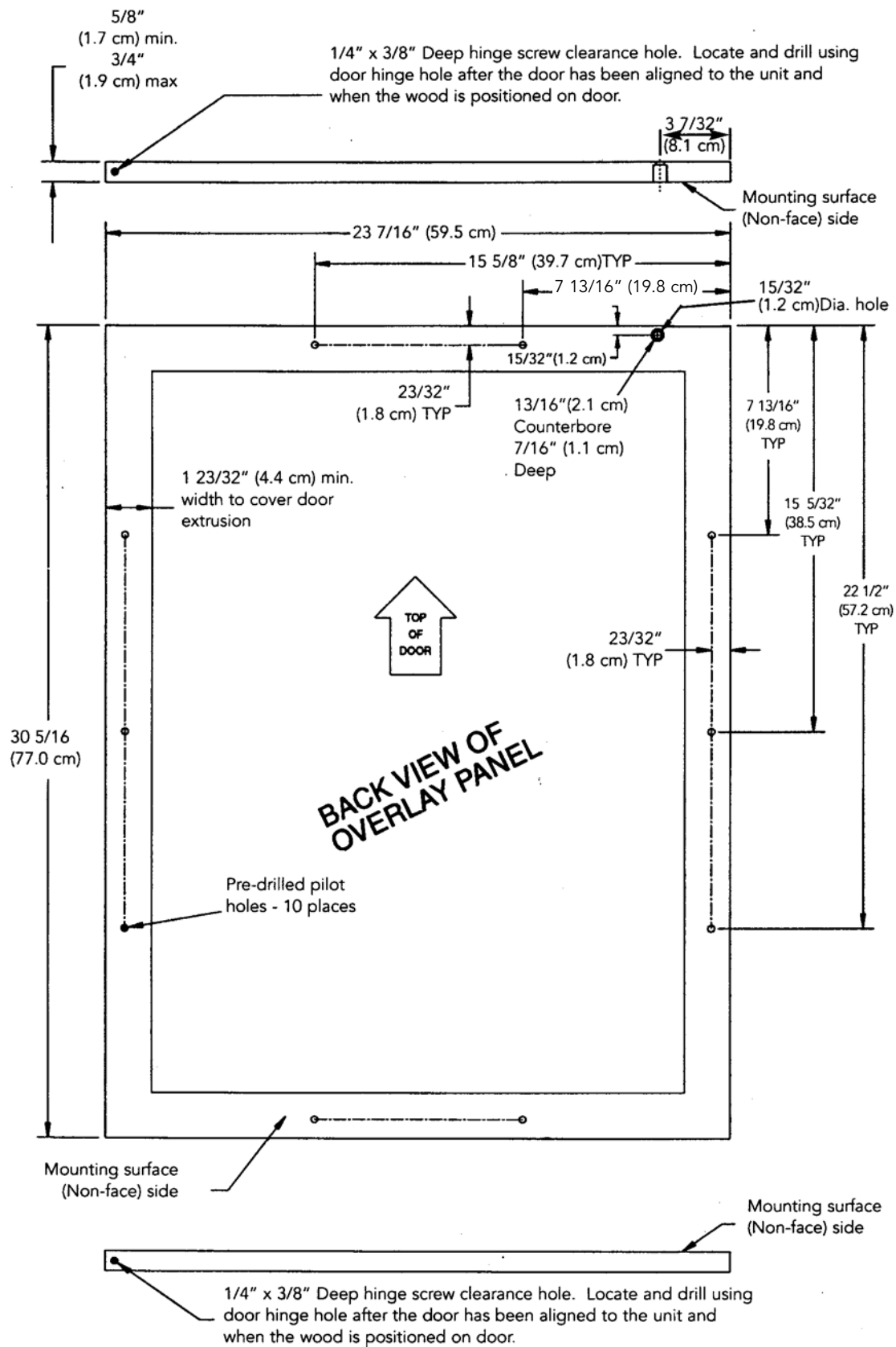


# Selecting and Preparing the Wood Frame - DFUW Model

## FOR A 3-1/2" TOE KICK

### (COVERS THE ENTIRE DOOR EXTRUSION)

### (LEFT HINGE)



**FOR A 3-1/2" TOE KICK  
(COVERS THE ENTIRE DOOR EXTRUSION)  
(RIGHT HINGE)**

