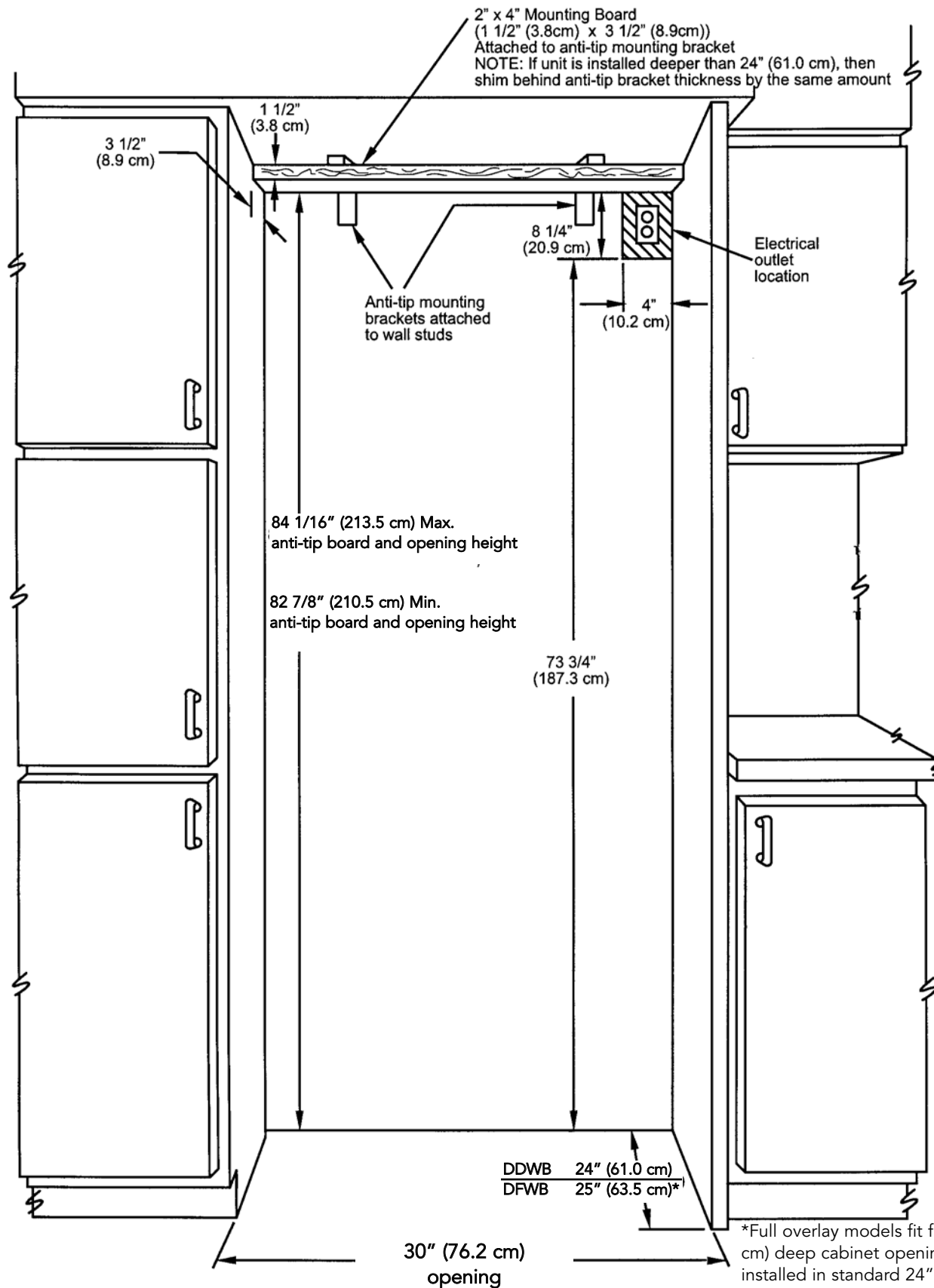


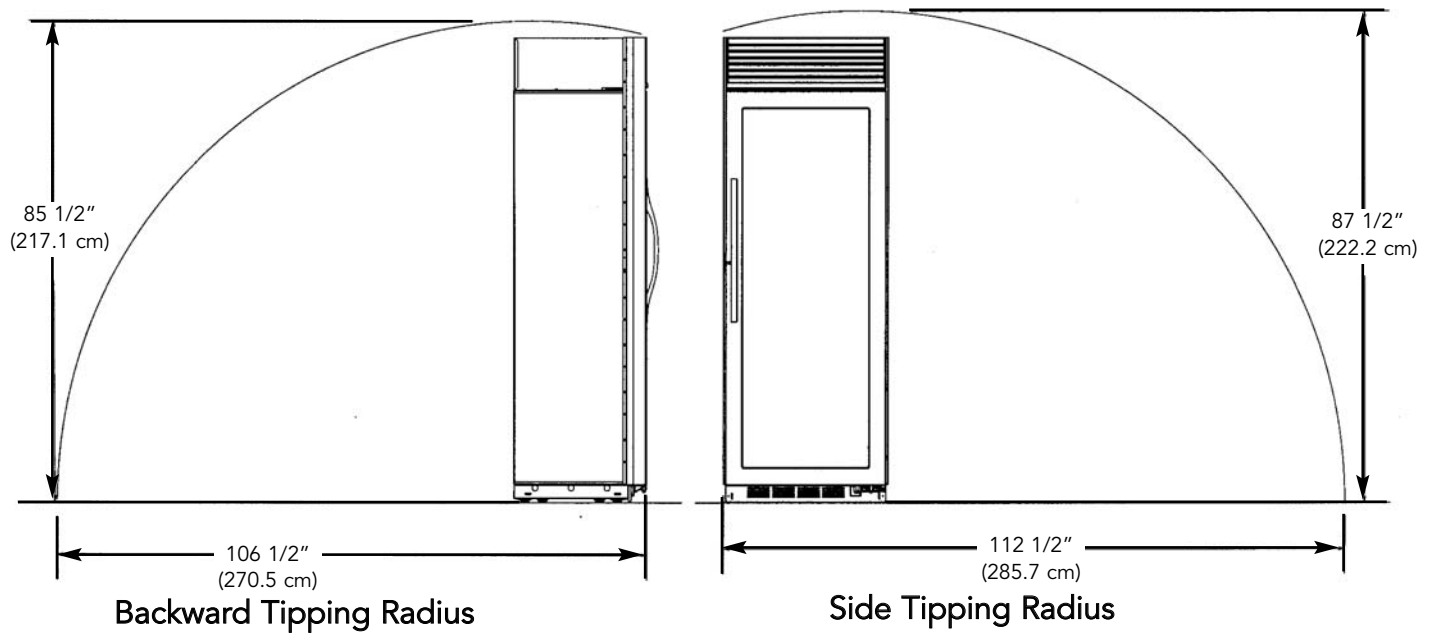
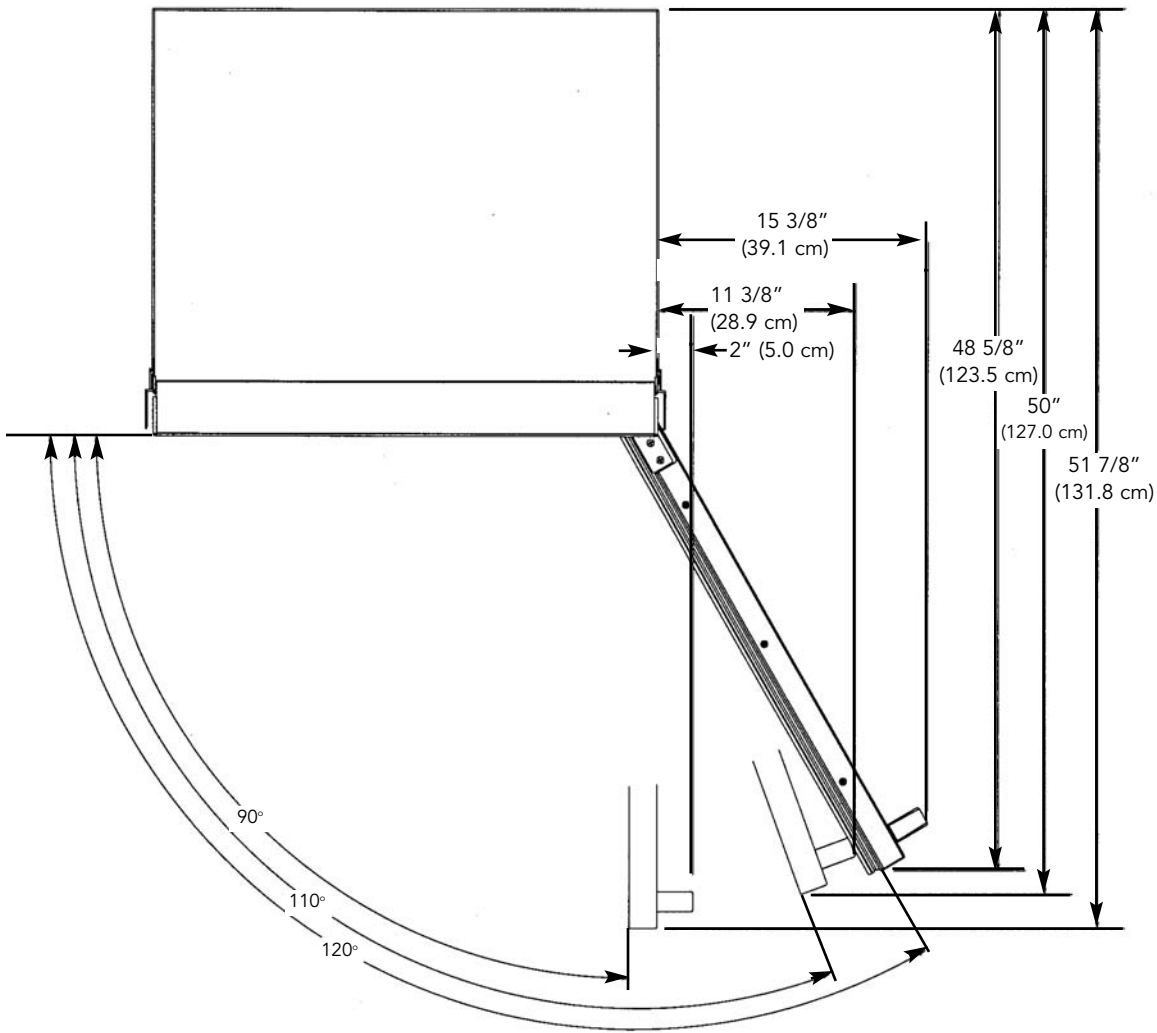
# SITE PREPARATIONS AND CONSIDERATIONS

## DESIGNER/FULL OVERLAY MODEL 30" W. FULL HEIGHT WINE CELLAR CABINET OPENING DIMENSIONS

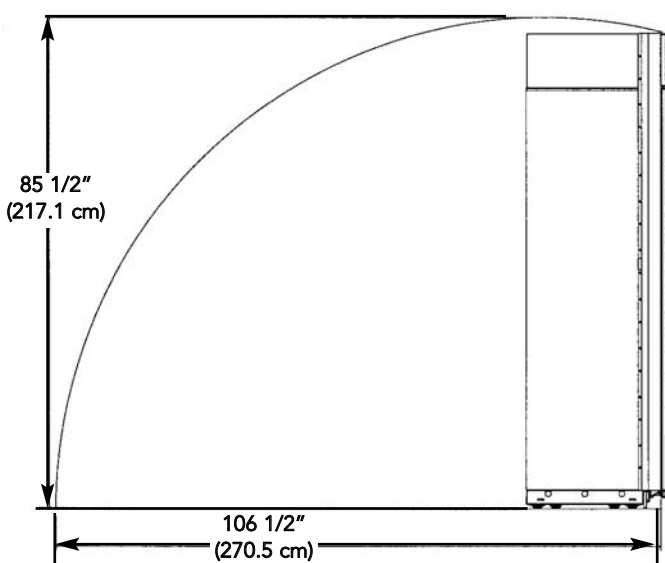
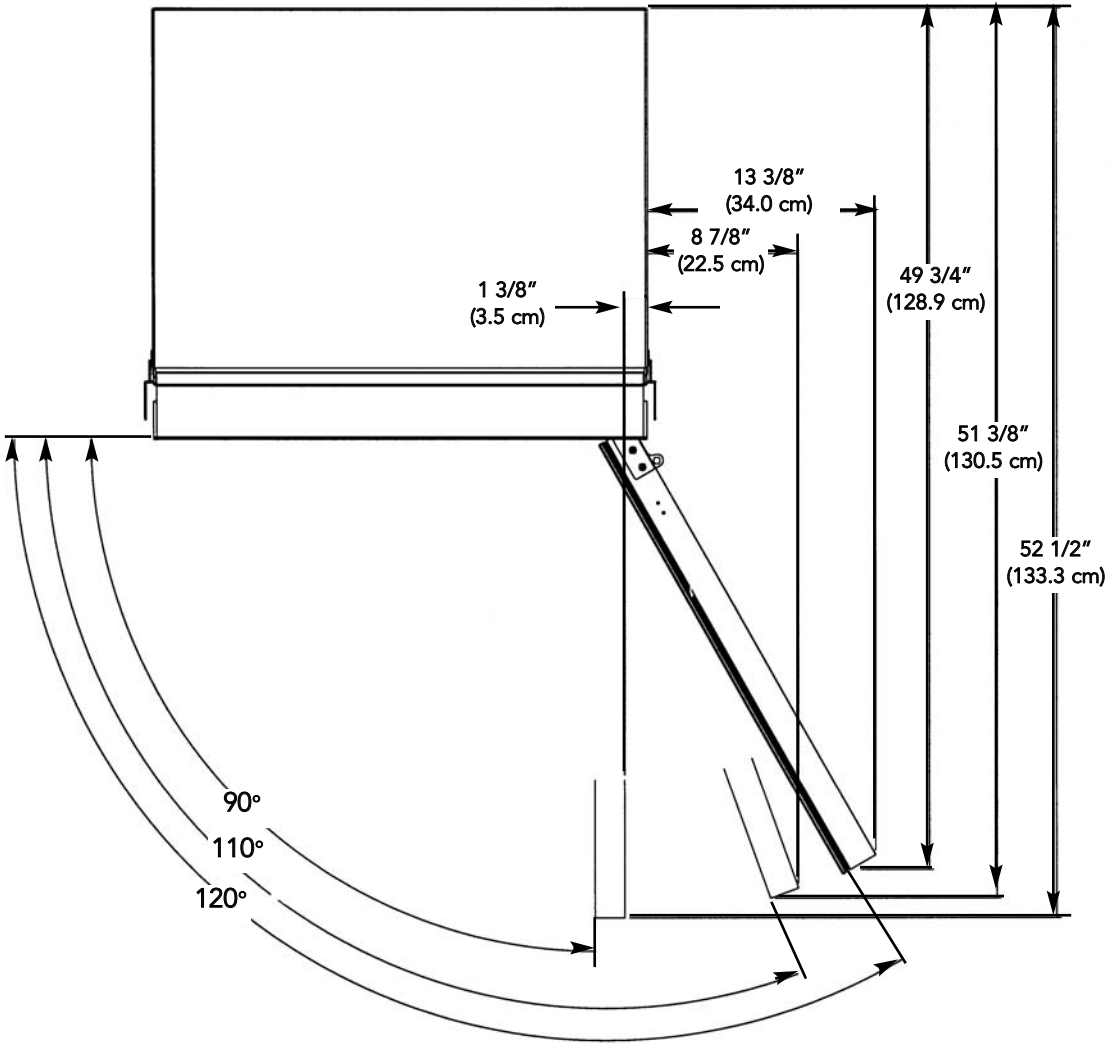


\*Full overlay models fit flush in 25" (63.5 cm) deep cabinet openings. They can be installed in standard 24" (61.0 cm) deep openings. The door faces and top grille will protrude 3/4" (1.9 cm) into the room.

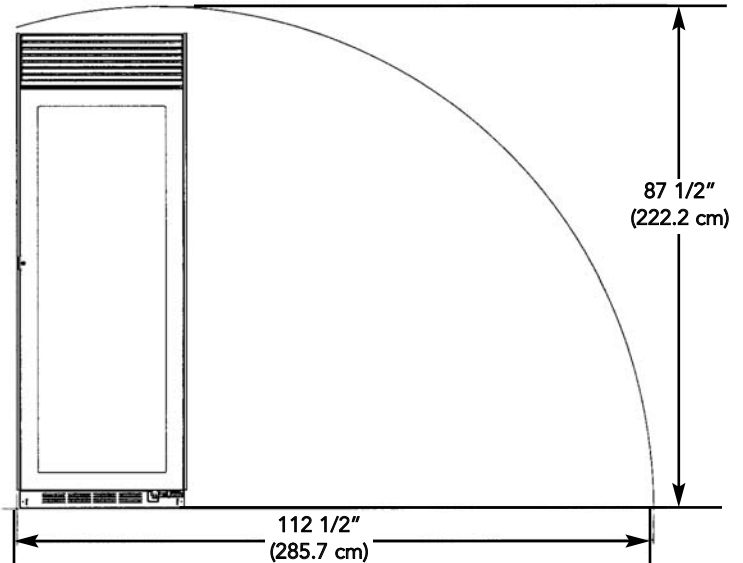
# DOOR SWING AND TIPPING CONSIDERATIONS DESIGNER MODEL



# DOOR SWING AND TIPPING CONSIDERATIONS FULL OVERLAY MODEL

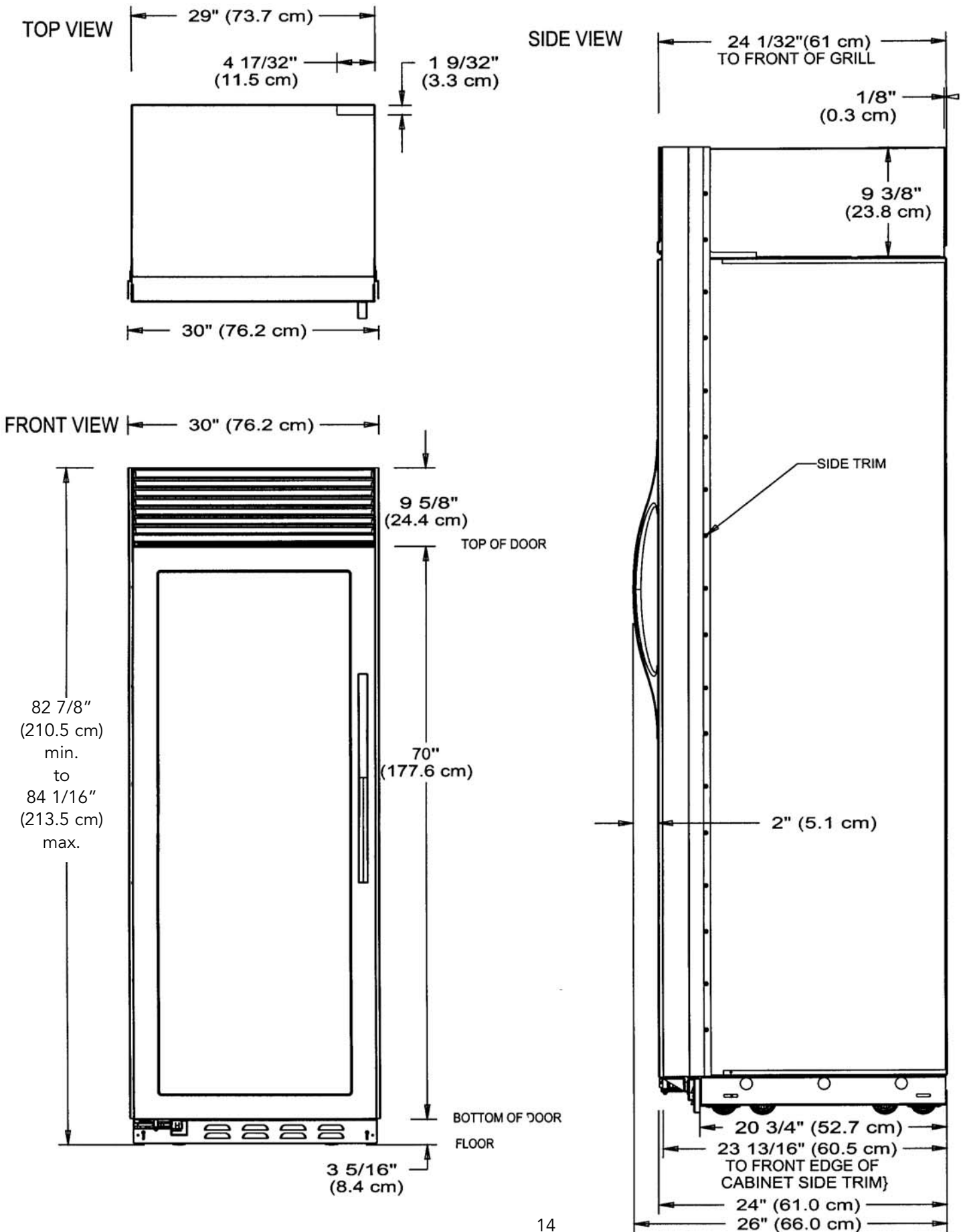


Backward Tipping Radius



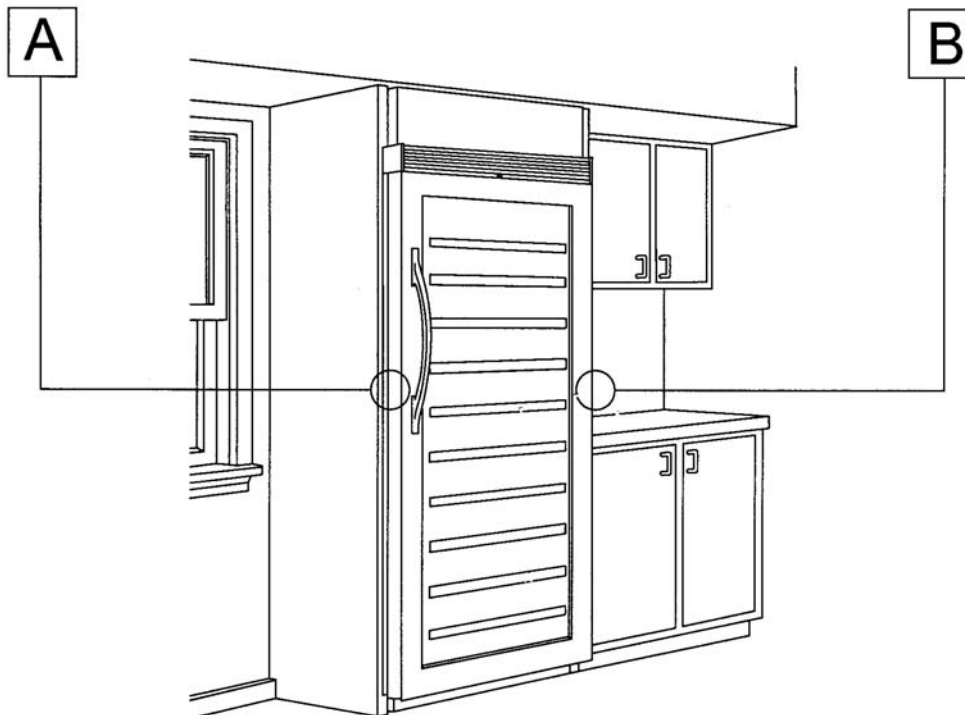
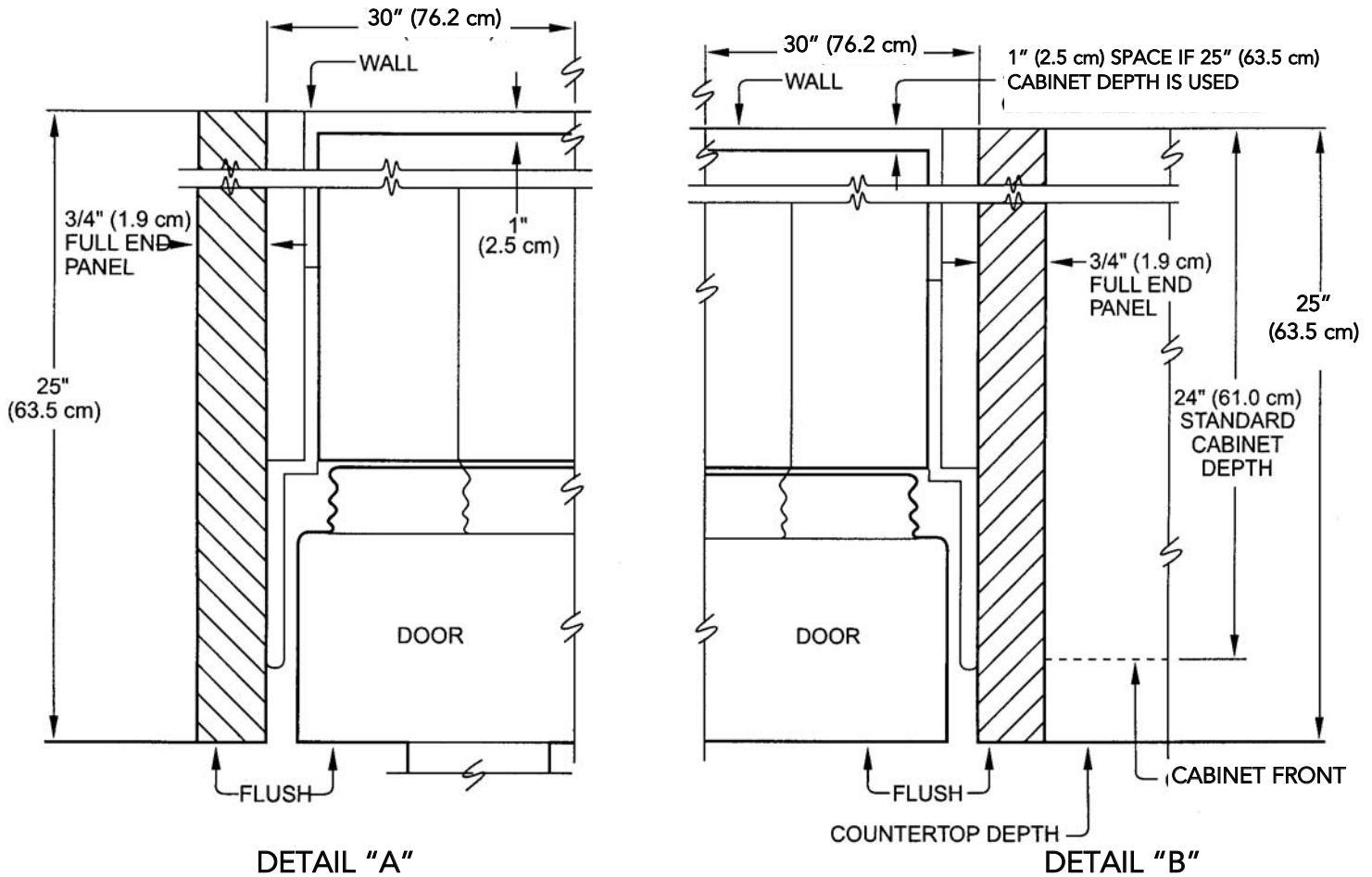
Side Tipping Radius

# WINE CELLAR OVERALL DIMENSIONS - DESIGNER MODEL

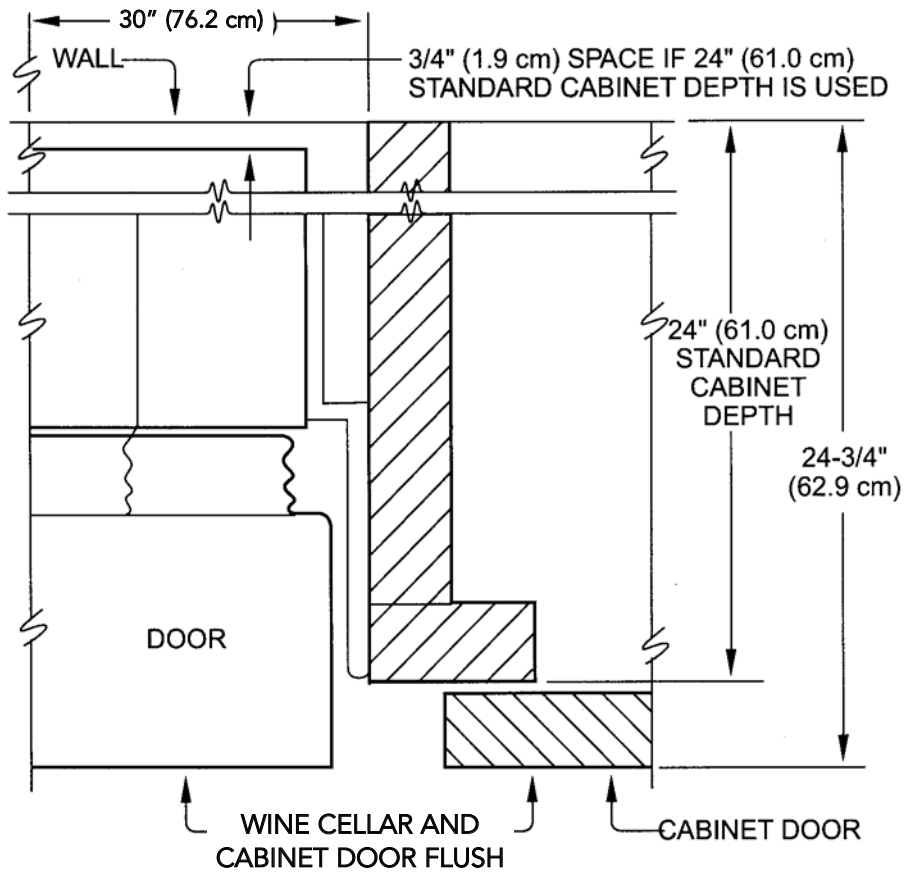


# CABINET INFORMATION - DESIGNER MODEL

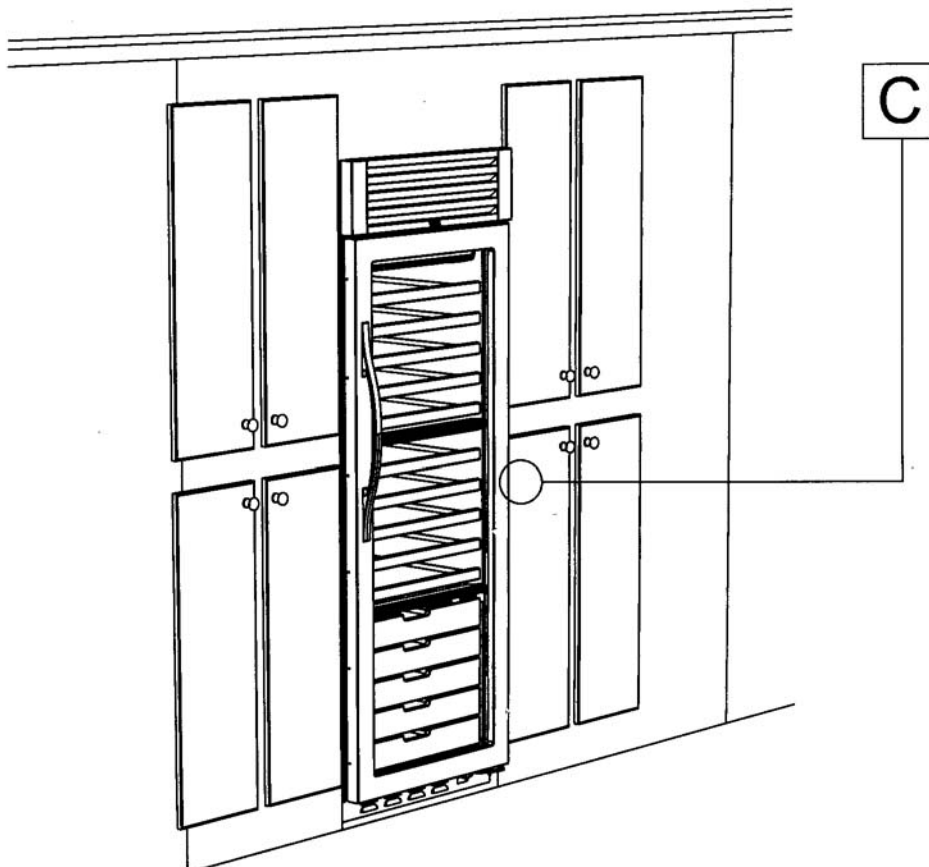
Designer models fit "flush" in standard 24" (61.0 cm) deep cabinet openings with no protrusion into the room except 2" (5.1 cm) curved handle depth



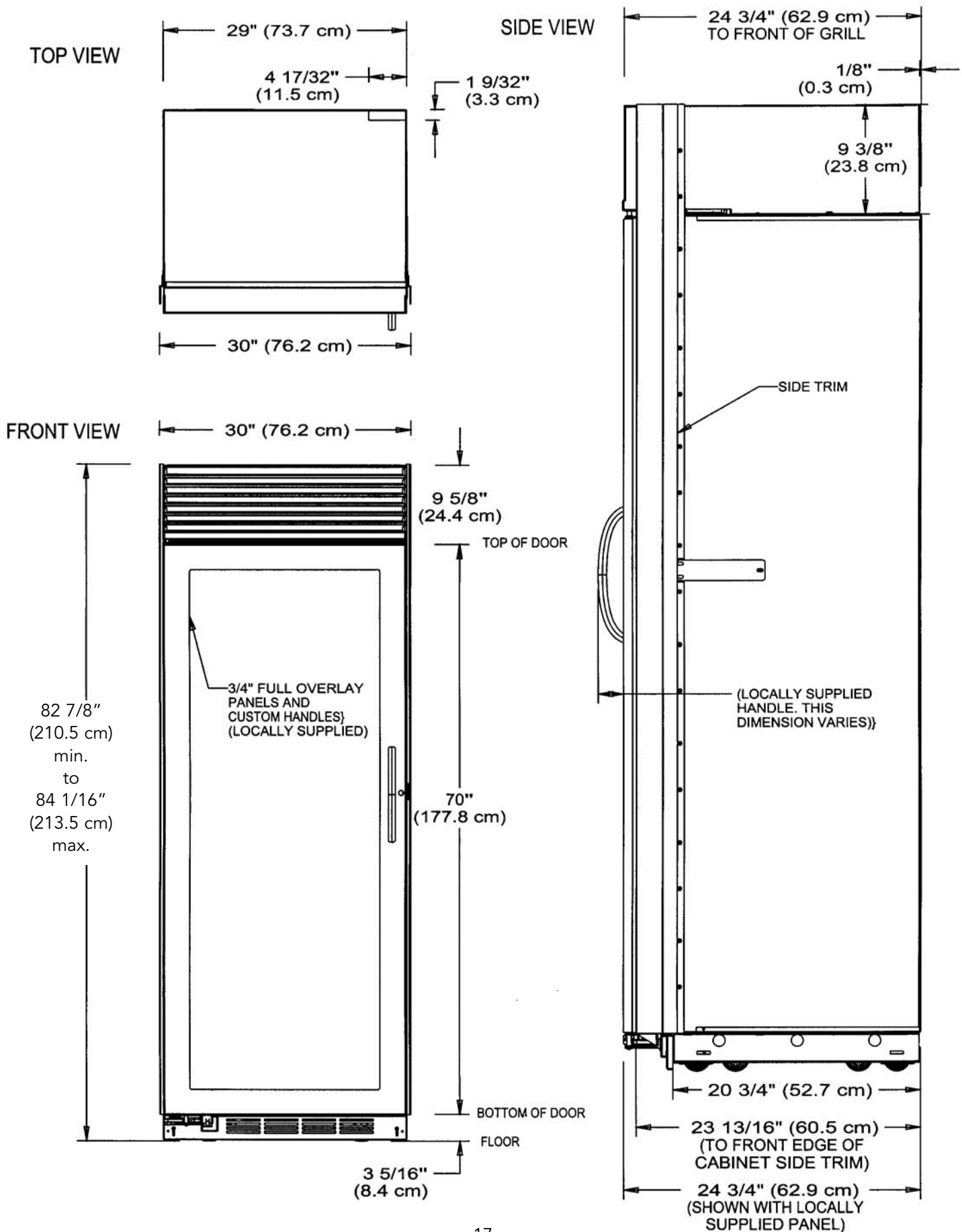
# CABINET INFORMATION - DESIGNER (continued)



Detail "C"

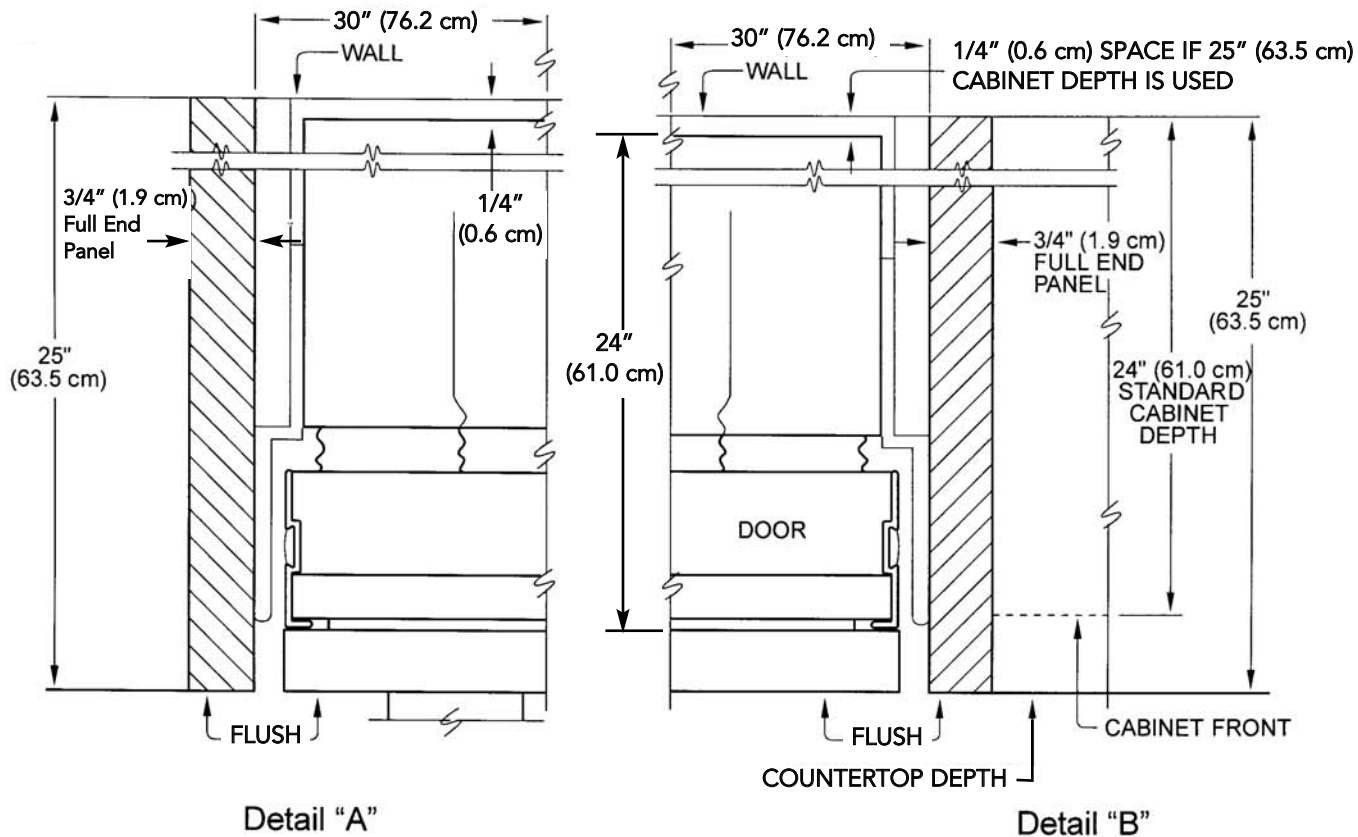


# OVERALL DIMENSIONS - FULL OVERLAY MODEL



# CABINET INFORMATION - FULL OVERLAY MODEL

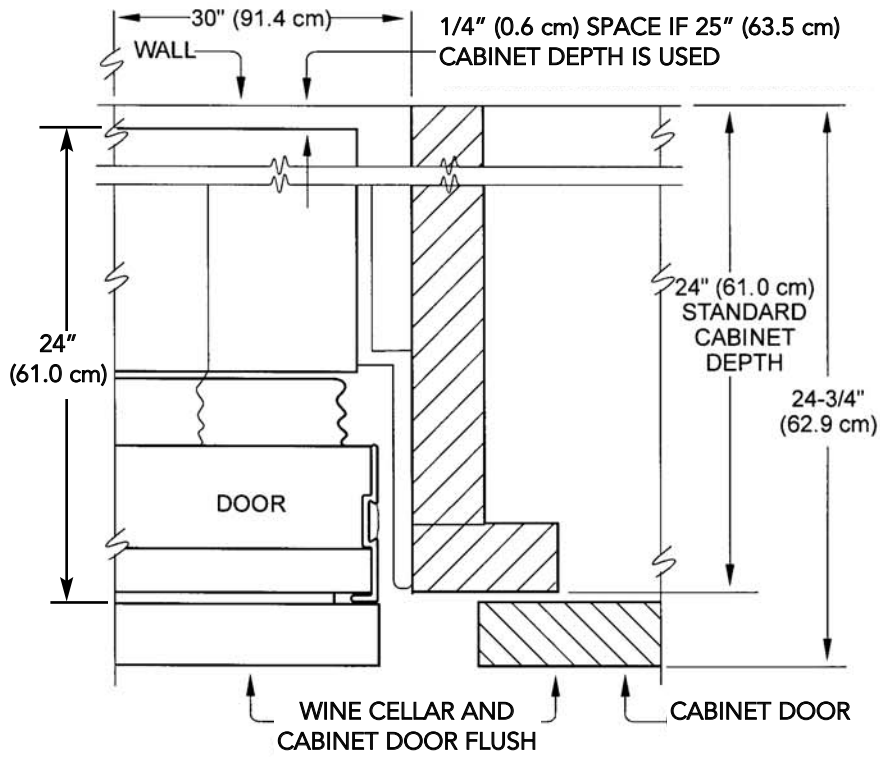
Full overlay models, (with 3/4" [1.9 cm] thick panels and custom handles locally supplied), fit flush in 25" (63.5 cm) deep (countertop depth) cabinet openings with no protrusion into room except custom handles.



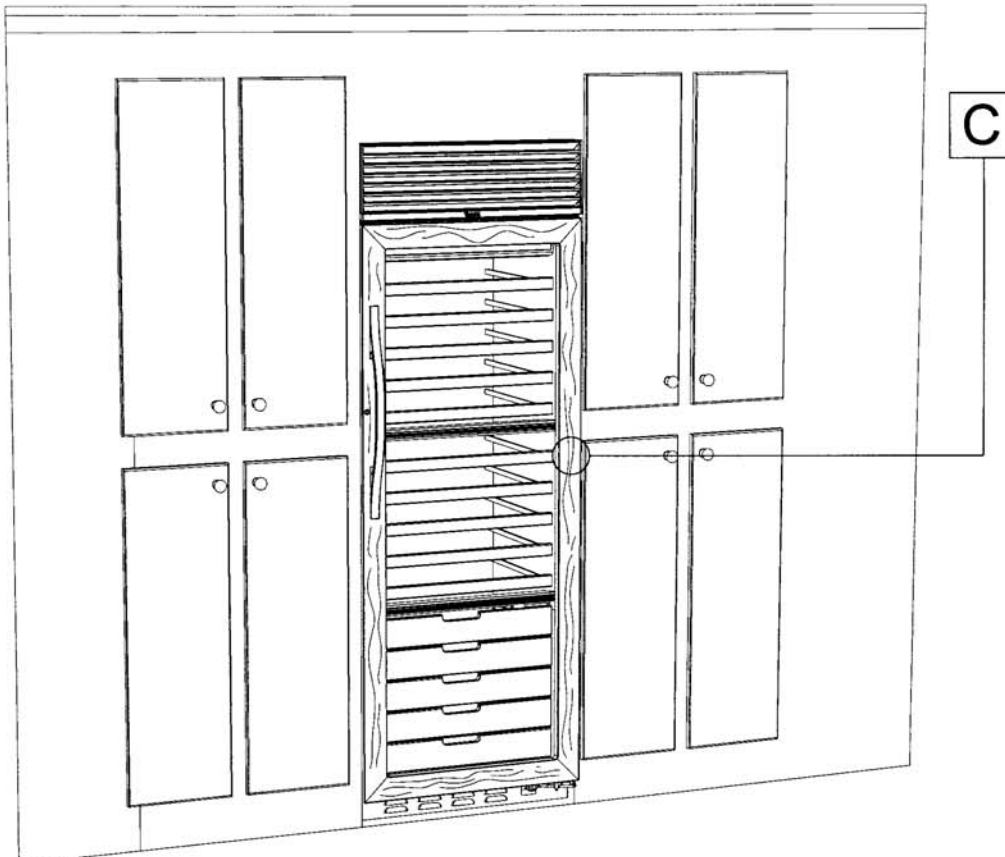


## CABINET INFORMATION - FULL OVERLAY (continued)

Full overlay models can be installed in standard 24" (61.0 cm) deep openings. However, the door faces and top ventilation grille will protrude 3/4" (1.9 cm) into the room, ideal for alignment with full overlay cabinet doors.



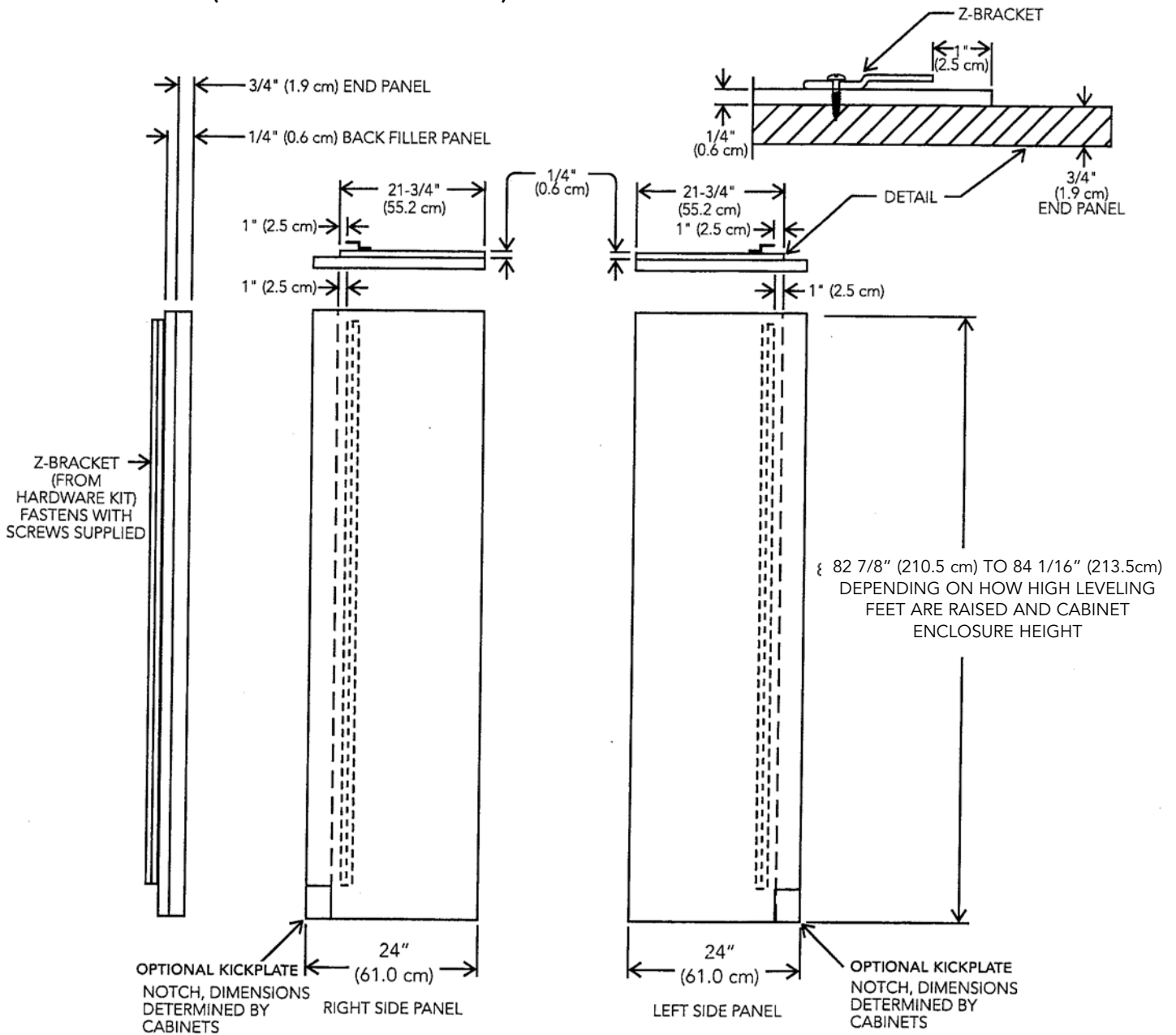
Detail "C"



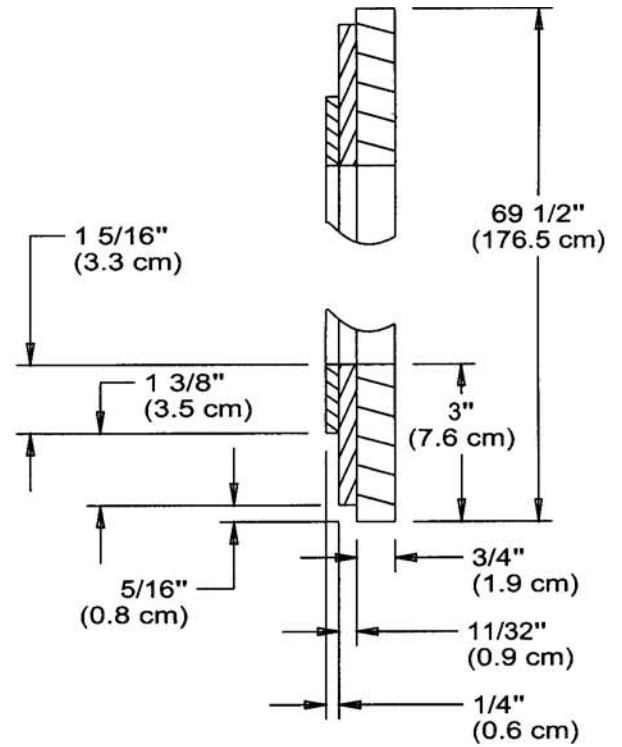
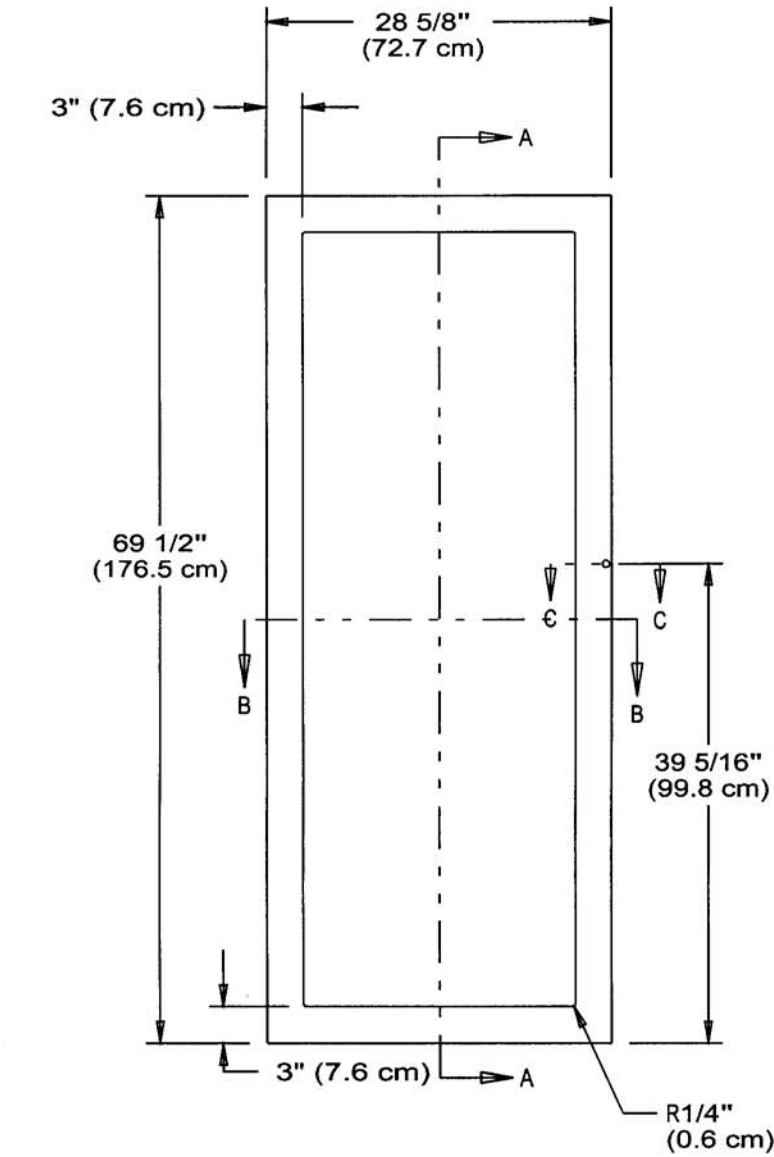
# CUSTOM SIDE PANEL DIMENSIONS - DESIGNER/FULL OVERLAY

## For 3/4" (1.9 cm) Side Panels

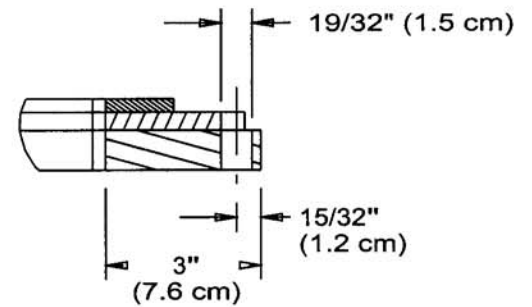
**NOTE:** Adding a 3/4" (1.9 cm) side panel adds an additional 3/4" (1.9 cm) to the overall width of the product for each side panel used. **Requires side panel hardware kit ( Kit model number - SPHKDS)**



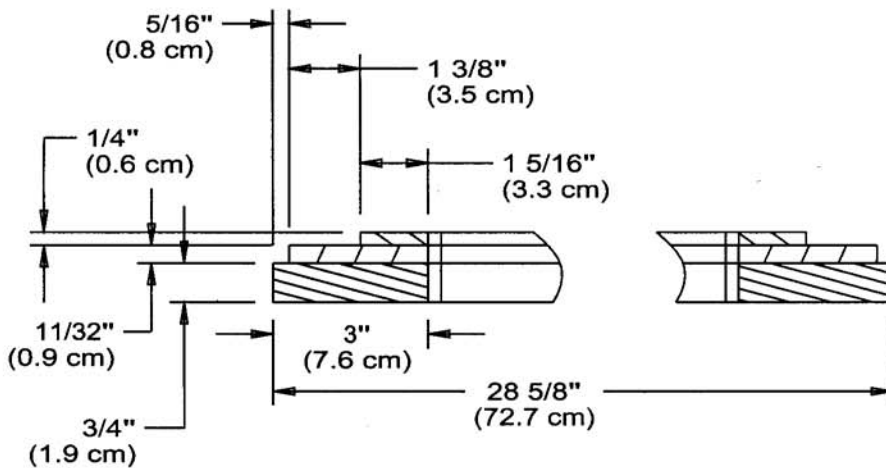
# CUSTOM DOOR PANEL DIMENSIONS - FULL OVERLAY MODEL



SECTION A-A



SECTION C-C



SECTION B-B

## BASIC SPECIFICATIONS AND DIMENSIONS

DESCRIPTION	VCWB300
Overall Width	30" (76.2 cm)
Overall Height from Bottom	Min. 82 3/4" (210.2 cm) to Max. 84 1/16" (213.5 cm)
Overall Depth from Rear	To rear edge of side trim      22 3/16" (56.4 cm) To front of top grille          24 1/2" (62.2 cm) To end of handle bracket      27" (68.6 cm)
Cutout Width	29 1/2" (74.9 cm)
Cutout Height	82 7/8" (210.5 cm) min.; 84 1/16" (213.5 cm) max.
Cutout Depth	24" (61.0 cm) min.
Electrical Requirements	115 volt, 60 Hz, 15 amp dedicated circuit; 3-wire cord with grounded 3-prong plug attached to product.
Maximum Amp Usage	2.0 amps
Overall Capacity	150 bottles
Approximate Shipping Weight	560 lbs. (252 kg)

DESCRIPTION	DDWB300	DFWB300
Overall Width	30" (76.2 cm)	
Overall Height from Bottom	Min. 82 3/4" (210.2 cm) to Max. 84 1/16" (213.5 cm)	
Overall Depth from Rear To front edge of side trim To front edge of cabinet side trim To front edge of door trim	23 13/16" (60.5 cm) 24" (61.0 cm) 26" (66.0 cm)	23 13/16" (60.5 cm) 24 3/4" (62.9 cm) 24" (61.0 cm)
Cutout Width	30" (76.2 cm)	
Cutout Height	82 7/8" (210.5 cm) min.; 84 1/16" (213.5 cm) max.	
Cutout Depth	24" (61.0 cm) min.	25" (63.5 cm) - can be installed in 24" (61.0 cm) deep openings; door faces and top grille will protrude 3/4" (1.9 cm) into room.
Electrical Requirements	115 volt, 60 Hz, 15 amp dedicated circuit; 3-wire cord with grounded 3-prong plug attached to product.	
Maximum Amp Usage	2.0 amps	
Overall Capacity	150 bottles	
Approximate Shipping Weight	560 lbs. (252 kg)	