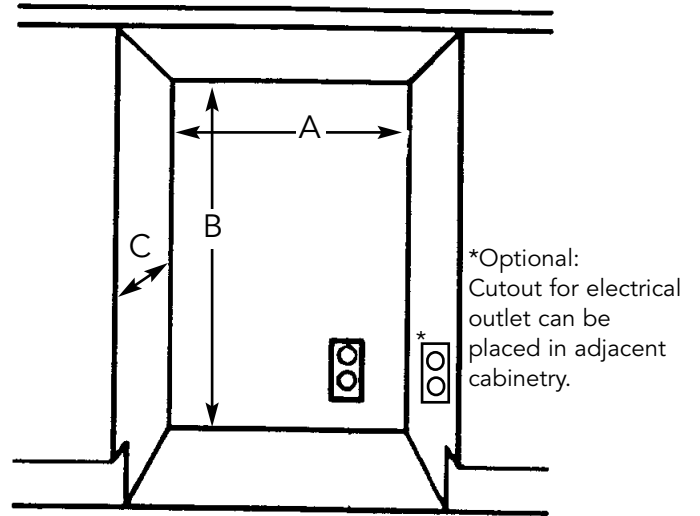


UNDERCOUNTER CABINET CUTOUT

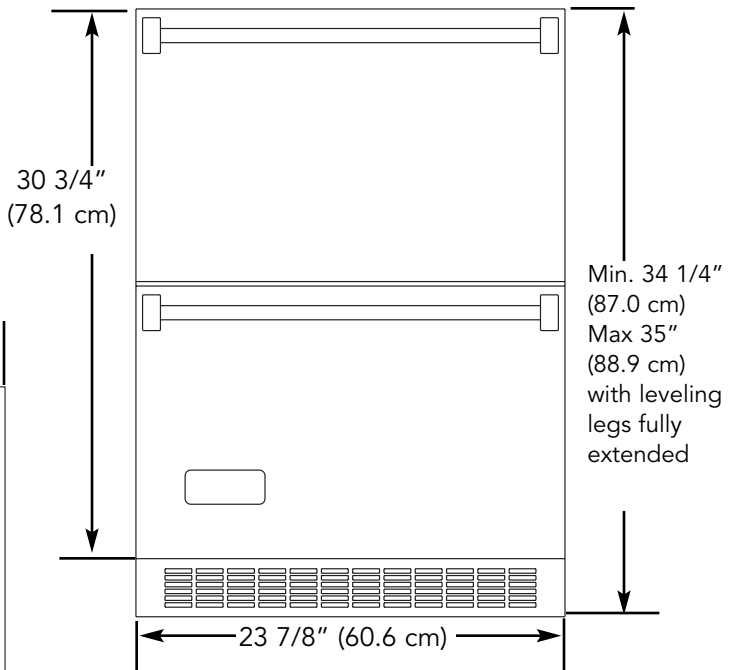
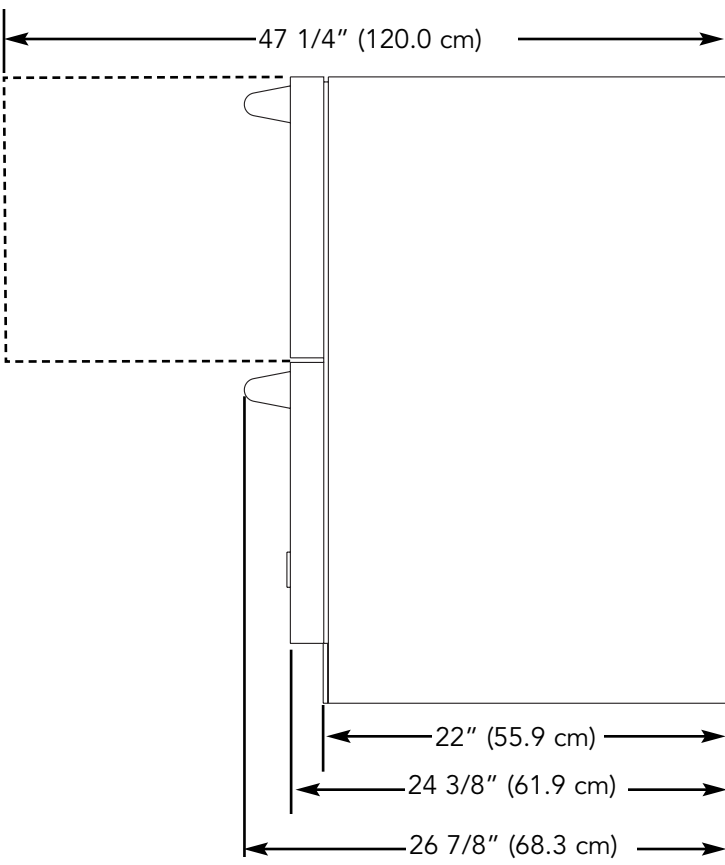
A	24" (61.0 cm)*
B	Min. 34 1/2" (87.6 cm) Max. 35 1/8" (89.2 cm)
C	24" (61.0 cm)



SPECIFICATIONS/DIMENSIONS PROFESSIONAL SERIES

Basic Electric Data

- 115 VAC/60 Hz
- Maximum amps - 3.3
- Approximate Shipping Weight - 180 lbs. (81.8 kg)



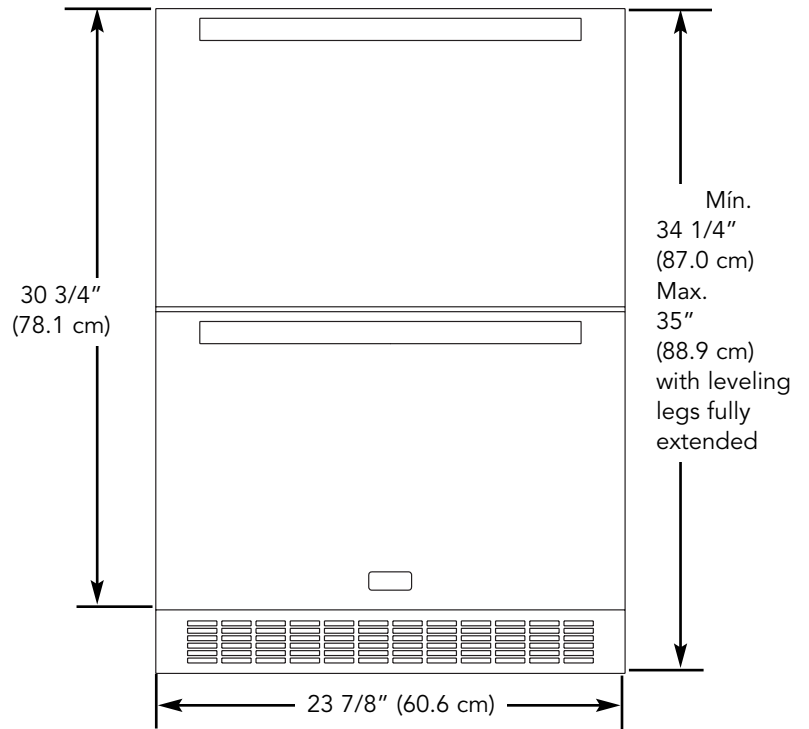
SPECIFICATIONS/DIMENSIONS

DESIGNER SERIES

Basic Electric Data

- 115 VAC/60 Hz
- Maximum amps - 3.3
- Approximate shipping weight - 180 lbs (81.8 kg)

Front View



Side View

