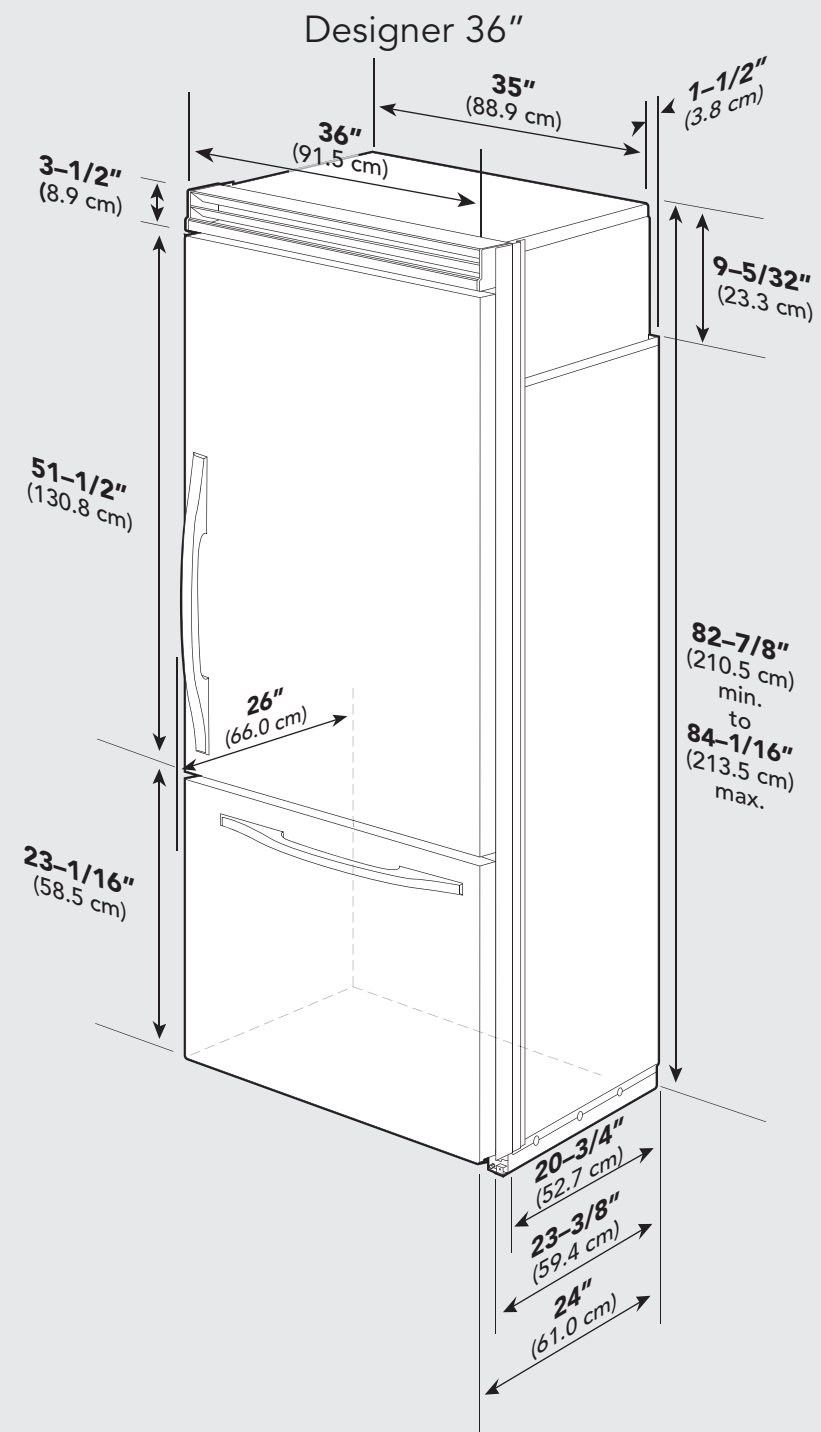


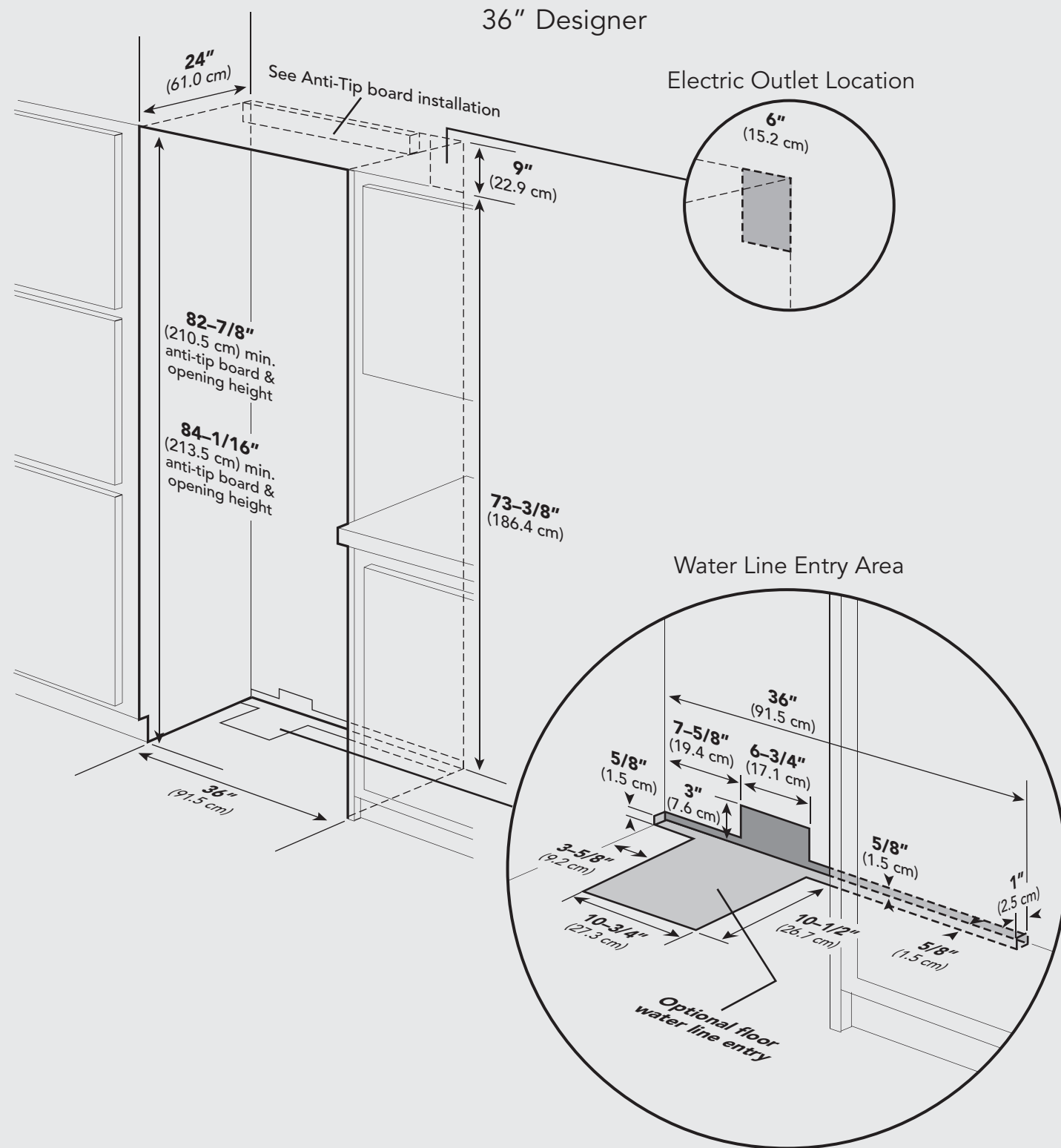
Dimensions (Designer Bottom-Mount)



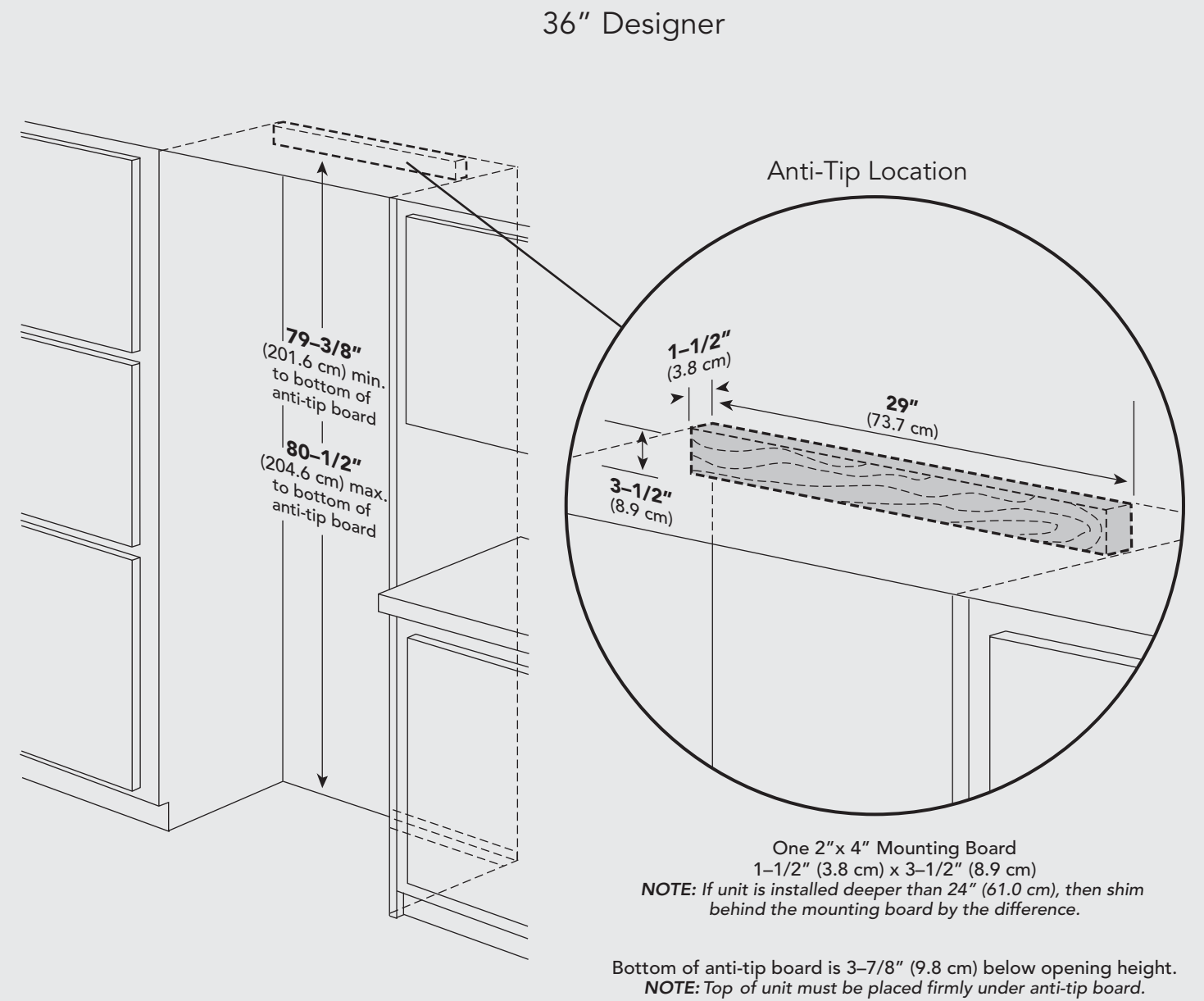
Specifications (Designer Bottom-Mount)

36" Designer Bottom-Mount	
Description	DDBB363
Overall width	36" (91.5 cm)
Overall height from bottom	82-3/4" (210.2 cm) min. to 84-1/16" (213.5 cm) max.
Overall depth from rear	To front edge of side trim: 23-3/8" (59.4 cm) To front of top grille: 24" (61.0 cm) To front of handle: 26" (66.0 cm)
Cutout width	36" (91.5 cm)
Cutout height	82-7/8" (210.5 cm) min. to 84-1/16" (213.5 cm) max.
Cutout depth	24" (61.0 cm) min.
Electrical requirements	115 volt, 60 Hz, 15 amp dedicated circuit; 3-wire cord with grounded 3-prong plug attached to product
Maximum amp usage	9.9 amps
Inlet water Requirements	1/4" copper tubing inlet waterline; minimum 20 psi; maximum 120 psi
Overall interior dimensions	
Refrigerator	15.2 cu. ft. (431 Liters)
Freezer	5.1 cu. ft. (145 Liters)
Total capacity	20.3 cu. ft. (576 Liters)
Approximate shipping weight	565 lbs. (254.3 kg)

Cutout Dimensions (Designer Bottom-Mount)

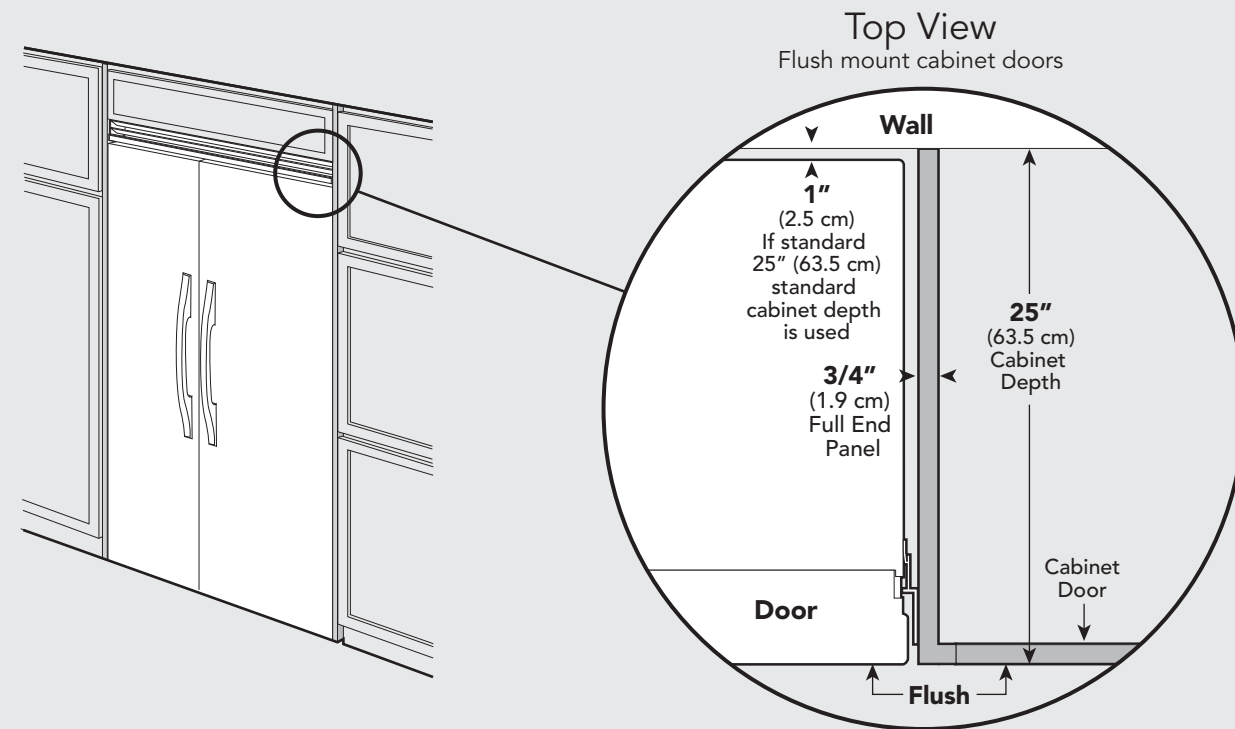
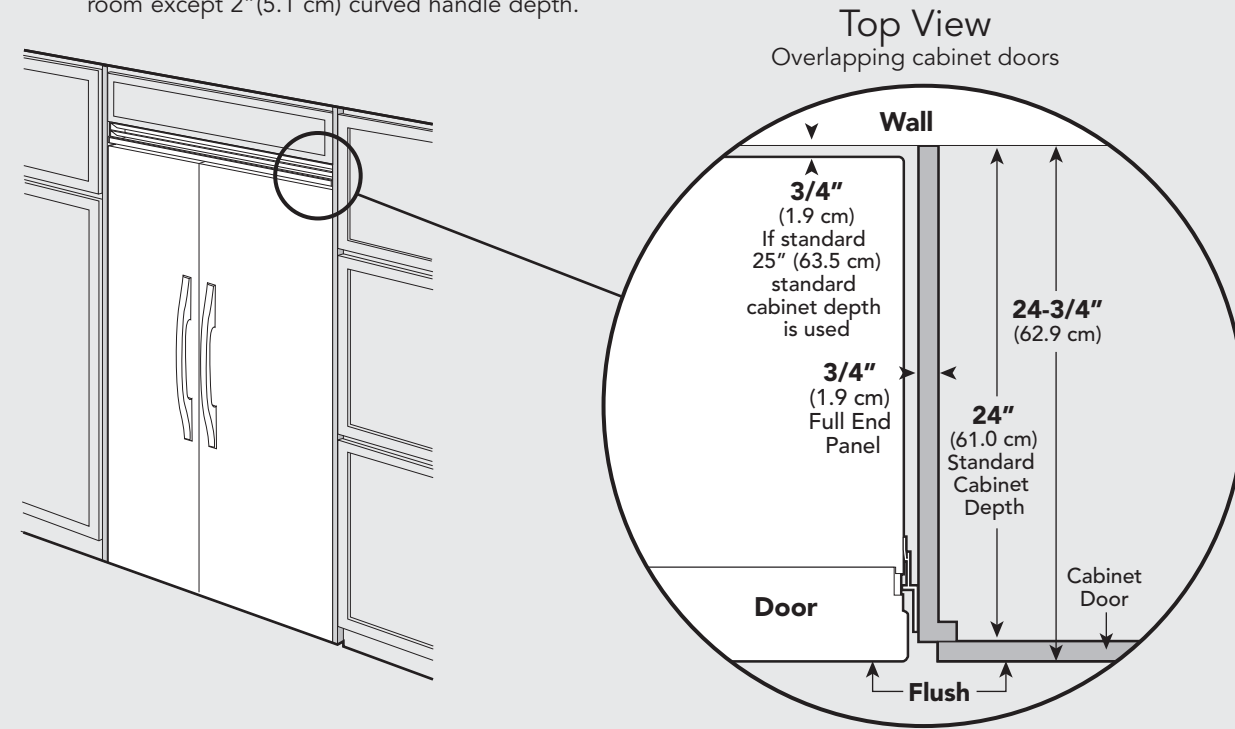


Anti-Tip Dimensions (Designer Bottom-Mount)



Cabinet Information (Designer)

Designer models fit flush in standard 24" (61.0 cm) deep cabinet openings with no protrusion into the room except 2" (5.1 cm) curved handle depth.



Cabinet Information (Designer)

Designer models fit flush in standard 24" (61.0 cm) deep cabinet openings with no protrusion into the room except 2" (5.1 cm) curved handle depth.

